



US00D848201S

(12) **United States Design Patent**  
**Levy**

(10) **Patent No.:** **US D848,201 S**  
(45) **Date of Patent:** **\*\* May 14, 2019**

(54) **CUPCAKE AND MUFFIN PAN**

(71) Applicant: **Gotham Steel LLC**, Northvale, NJ (US)

(72) Inventor: **Marvin Levy**, Montvale, NJ (US)

(73) Assignee: **Gotham Steel LLC**, Northvale, NJ (US)

(\*\*) Term: **15 Years**

(21) Appl. No.: **29/618,101**

(22) Filed: **Sep. 19, 2017**

(51) **LOC (11) Cl.** ..... **07-02**

(52) **U.S. Cl.**  
USPC ..... **D7/357; D7/354**

(58) **Field of Classification Search**  
USPC ..... D7/323, 354-361, 543, 545, 549, 550.1, D7/553.1-553.8, 554.1-554.4, 555, 584, D7/586, 611, 706, 761; D9/430-433, D9/455-456, 737, 756-762  
CPC .... A21B 3/00; A21B 3/13; A21B 3/15; A21B 3/132; A21B 3/134; A21B 5/00; A21B 5/02; A47J 36/022; A47J 36/025; A47J 36/027; A47J 37/00; A47J 37/04; B65D 1/22; B65D 1/24; B65D 1/34; B65D 1/36; B65D 5/5038; B65D 81/343; B65D 85/36  
See application file for complete search history.

2,599,853 A \* 6/1952 McClain ..... A21B 3/132 220/23.4  
D186,851 S \* 12/1959 Reifers ..... D7/357  
D210,613 S \* 3/1968 Moore ..... F25D 25/00 D15/90  
6,231,910 B1 \* 5/2001 Ellingsworth ..... A21B 3/132 249/119  
6,905,017 B1 \* 6/2005 Sarnoff ..... B65D 1/36 206/216  
D574,180 S \* 8/2008 Broom ..... D7/357  
D624,795 S \* 10/2010 Koeleman ..... D7/706  
D682,011 S \* 5/2013 Hauser ..... D7/354  
D739,264 S \* 9/2015 Buccellato ..... D7/354  
D788,549 S \* 6/2017 Karussi ..... D7/706  
2002/0108880 A1 \* 8/2002 Krupa ..... B65D 5/5038 206/497

\* cited by examiner

*Primary Examiner* — Ricky Pham

(74) *Attorney, Agent, or Firm* — Antonio Papageorgiou; Meister Seelig & Fein LLP

(57) **CLAIM**

The ornamental design for the cupcake and muffin pan, as shown and described.

**DESCRIPTION**

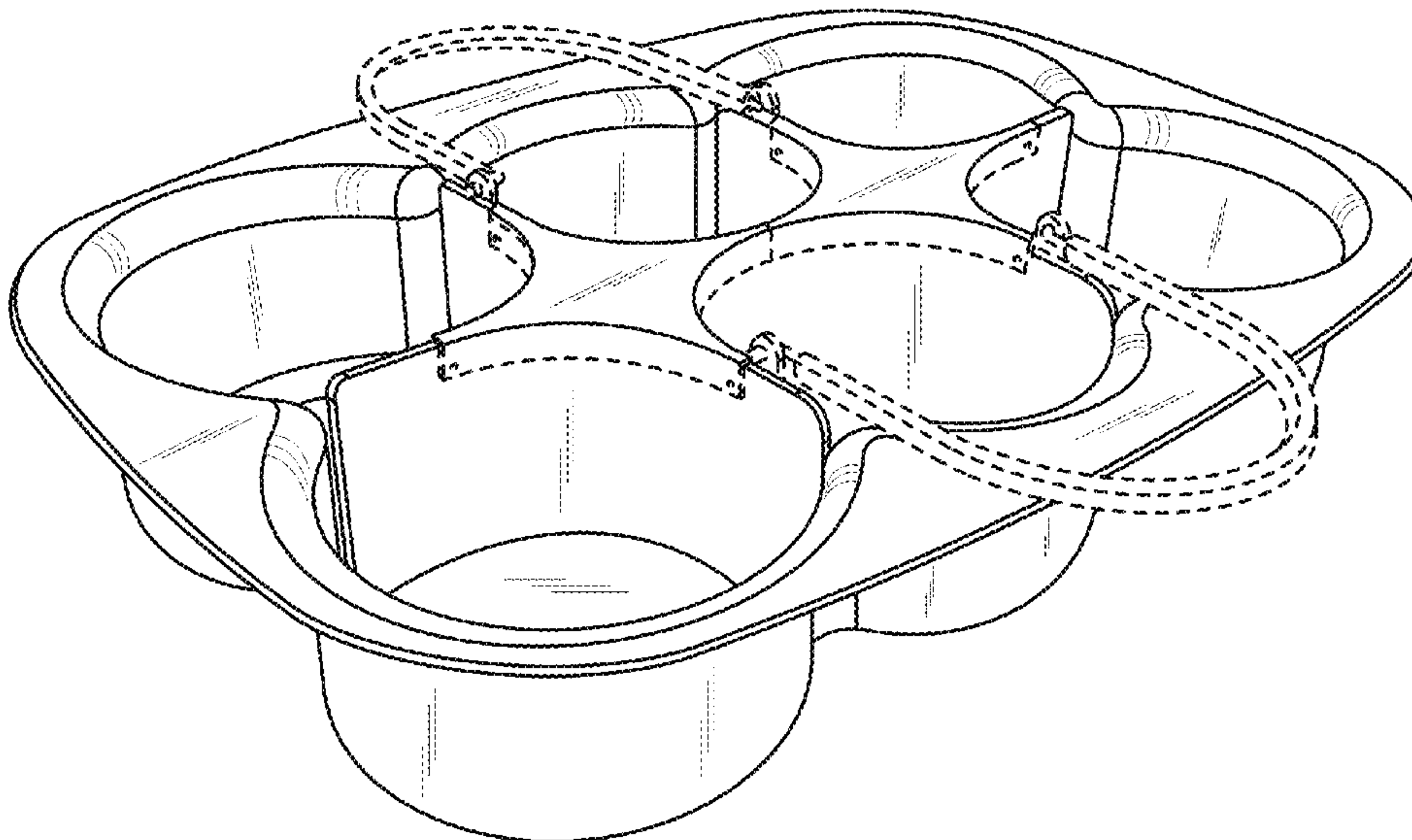
FIG. 1 is a perspective view of the left/right, top, and front/rear sides of the cupcake and muffin pan according to a first embodiment of my new design;  
FIG. 2 is a front and identical back view thereof;  
FIG. 3 is a left and identical right side view thereof;  
FIG. 4 is a top view thereof; and,  
FIG. 5 is a bottom view thereof.  
The broken lines shown in the drawings are for illustrative purposes only and form no part of the claimed design.

**1 Claim, 5 Drawing Sheets**

(56) **References Cited**

**U.S. PATENT DOCUMENTS**

1,476,910 A \* 12/1923 Naugle ..... A21B 3/132 220/23.2  
1,719,842 A \* 7/1929 Jackson ..... A21B 3/132 220/23.2



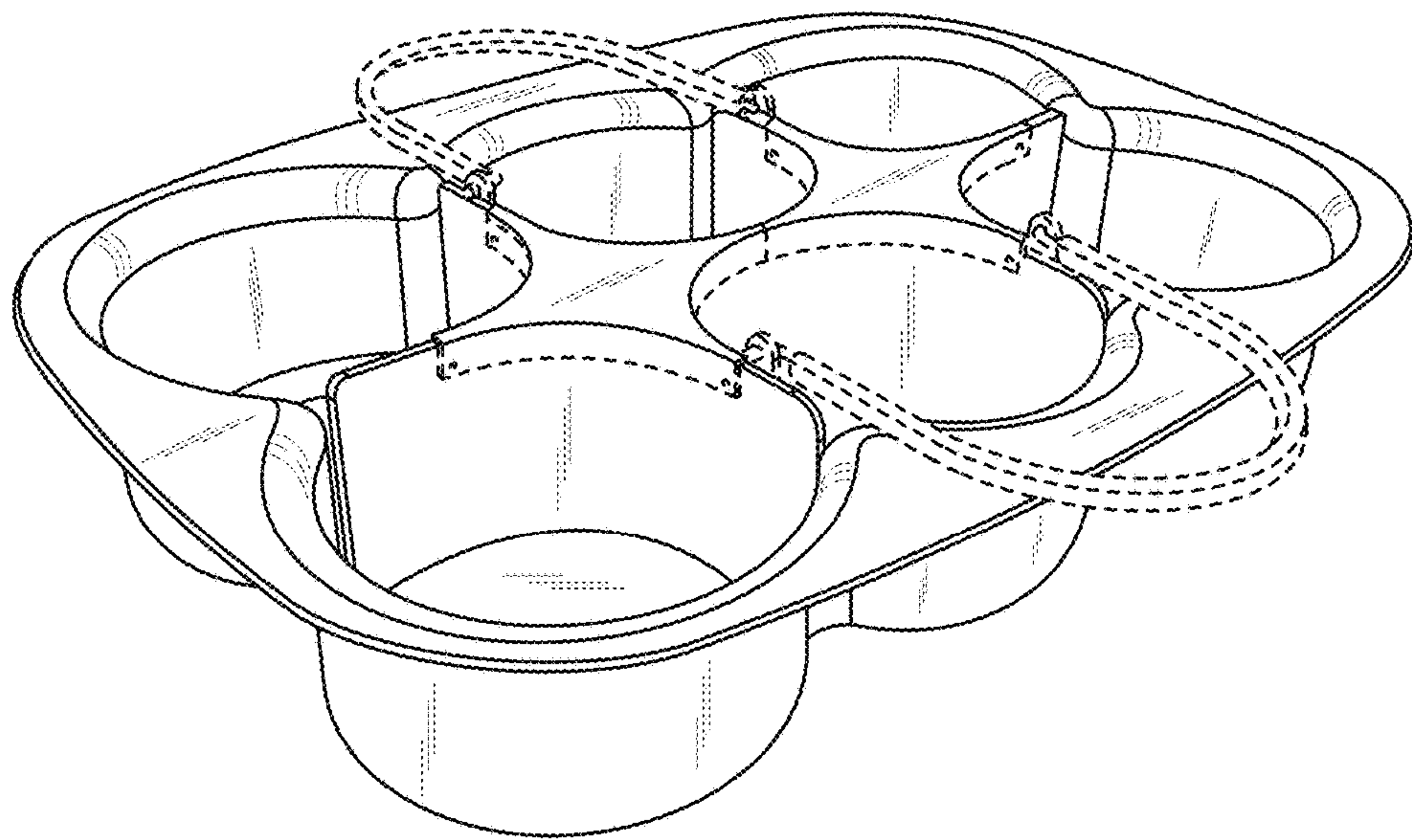


FIG. 1

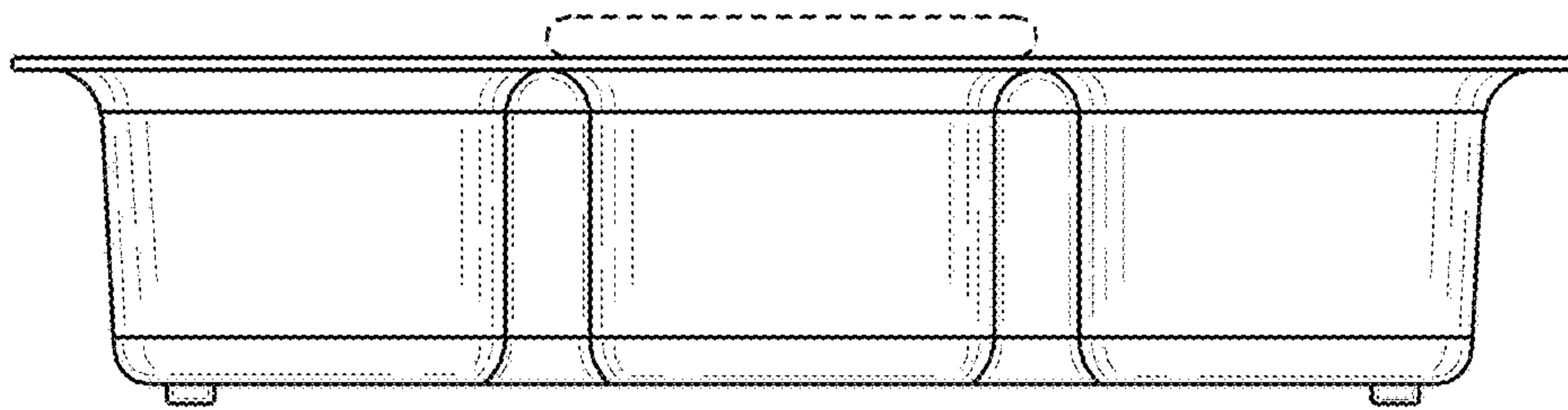


FIG. 2

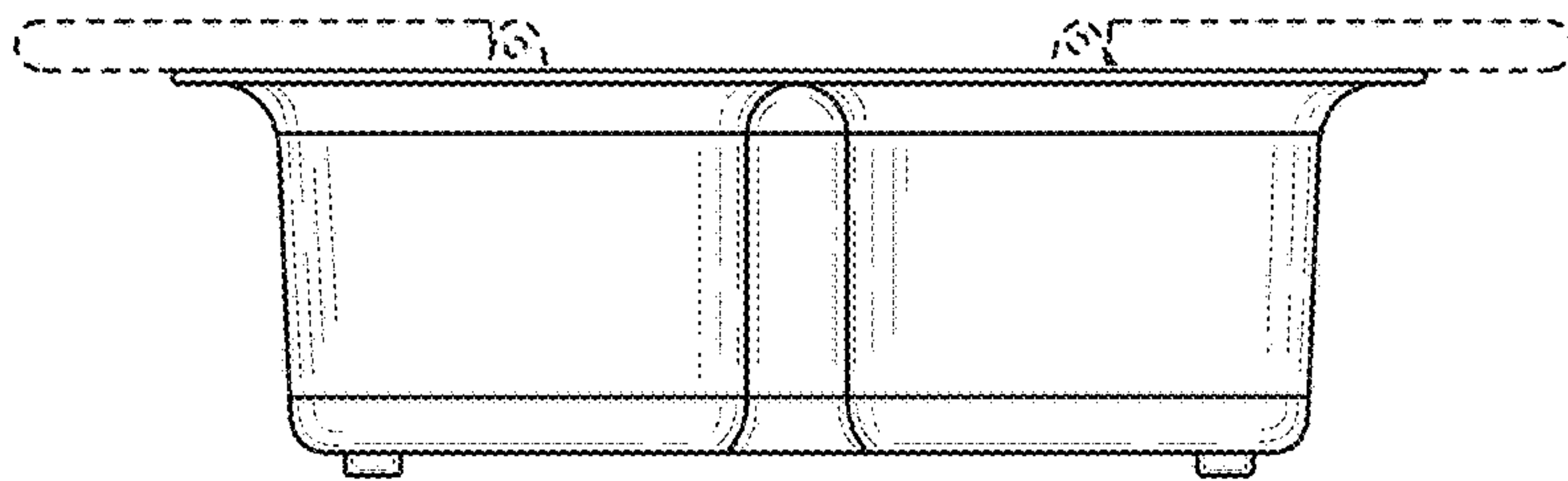


FIG. 3

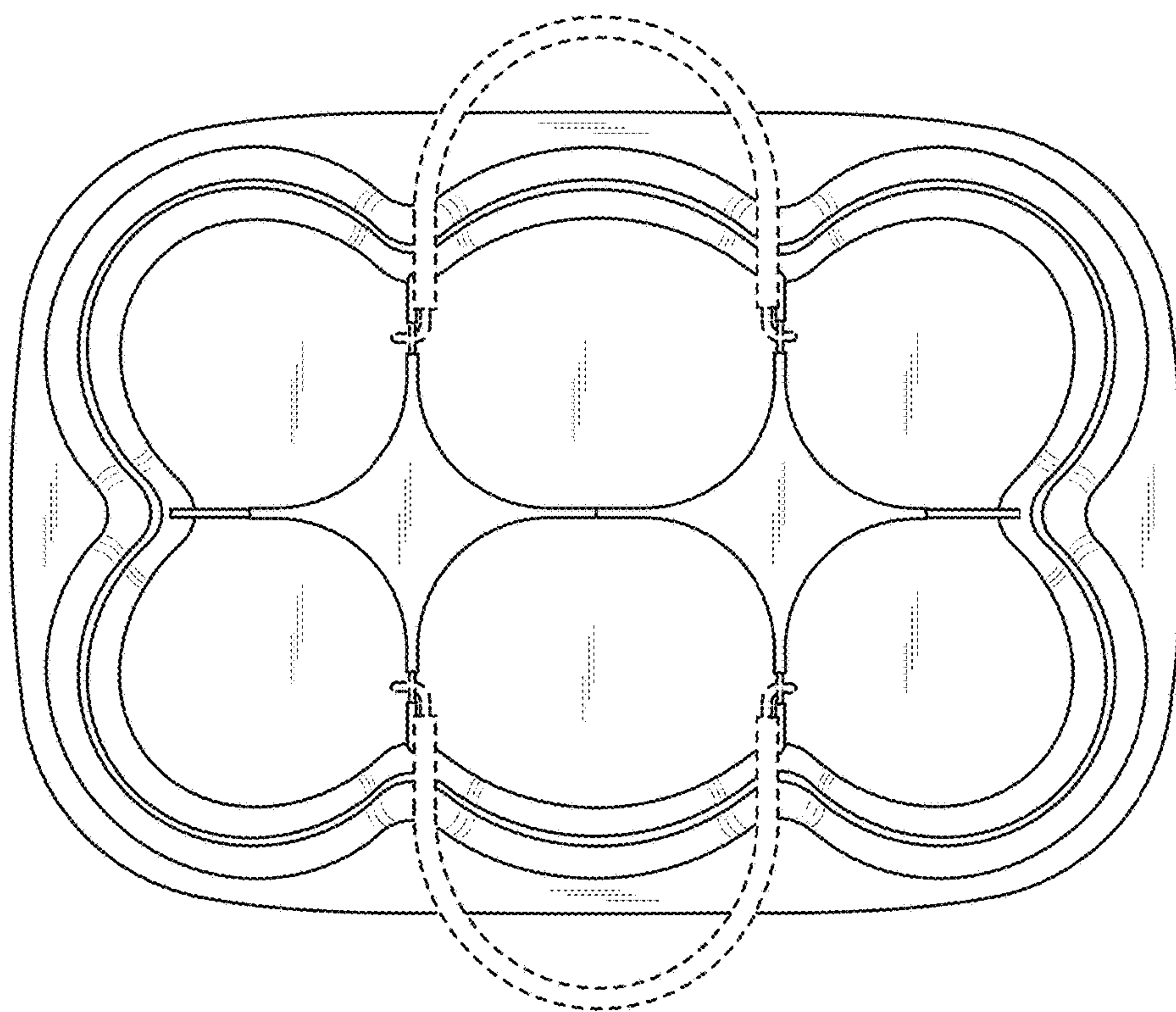


FIG. 4



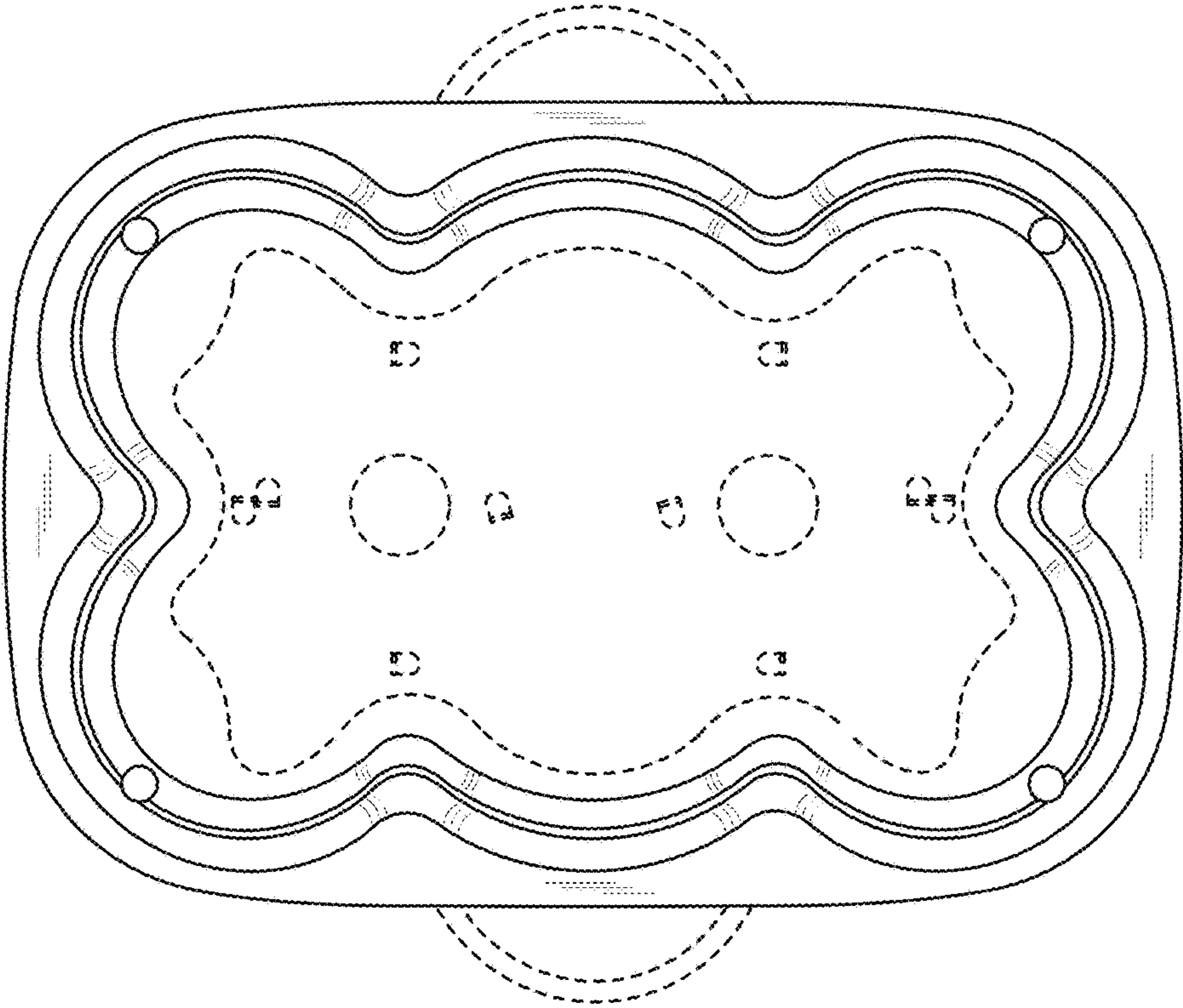


FIG. 5