



US00D848199S

(12) **United States Design Patent**
Kowalewski et al.

(10) **Patent No.:** **US D848,199 S**

(45) **Date of Patent:** **** May 14, 2019**

(54) **AIR FRYER**

(71) Applicant: **KONINKLIJKE PHILIPS N.V.**,
Eindhoven (NL)

(72) Inventors: **Andreas Kowalewski**, Eindhoven (NL);
Mingshuo Zhang, Eindhoven (NL)

(73) Assignee: **KONINKLIJKE PHILIPS N.V.**,
Eindhoven (NL)

(**) Term: **15 Years**

(21) Appl. No.: **29/627,641**

(22) Filed: **Nov. 29, 2017**

(30) **Foreign Application Priority Data**

May 31, 2017 (EM) 004024883-0002

(51) **LOC (11) Cl.** **07-02**

(52) **U.S. Cl.**
USPC **D7/354; D7/361**

(58) **Field of Classification Search**

USPC D7/323, 354-361

CPC A23L 1/01; A23L 1/0107; A23L 1/0114;

A47J 27/00; A47J 27/08; A47J 27/09;

A47J 27/092; A47J 36/025; A47J 36/06;

A47J 36/08; A47J 36/10; A47J 36/12;

A47J 36/165; A47J 36/18; A47J 36/20;

A47J 36/22; A47J 37/00; A47J 37/12;

A47J 37/1204; A47J 37/1209; A47J

37/1214; A47J 37/1219; A47J 37/1266;

A47J 37/1285; A47J 37/129; A47J

37/1295; G07F 17/0064; G07F 17/0078;

G07F 17/0085; H05B 6/02; H05B 6/06;

H05B 6/12

See application file for complete search history.

(56) **References Cited**

U.S. PATENT DOCUMENTS

D692,718 S	*	11/2013	Verbrugge	D7/354
D719,397 S	*	12/2014	Krooshof	D7/354
D793,797 S	*	8/2017	Krooshof	D7/354
D801,103 S	*	10/2017	Krooshof	D7/354
D802,986 S	*	11/2017	Krooshof	D7/354
D804,236 S	*	12/2017	Zhang	D7/354
D816,390 S	*	5/2018	Zhang	D7/354
D817,698 S	*	5/2018	Liu	D7/361
D820,029 S	*	6/2018	Zhang	D7/354
D820,030 S	*	6/2018	Zhang	D7/354
D820,031 S	*	6/2018	Zhang	D7/354

* cited by examiner

Primary Examiner — Ricky Pham

(57) **CLAIM**

The ornamental design for an air fryer, as shown and described.

DESCRIPTION

FIG. 1 is a perspective view of the air fryer showing our new design;

FIG. 2 is a front elevational view thereof;

FIG. 3 is a rear elevational view thereof;

FIG. 4 is a right side elevational view thereof;

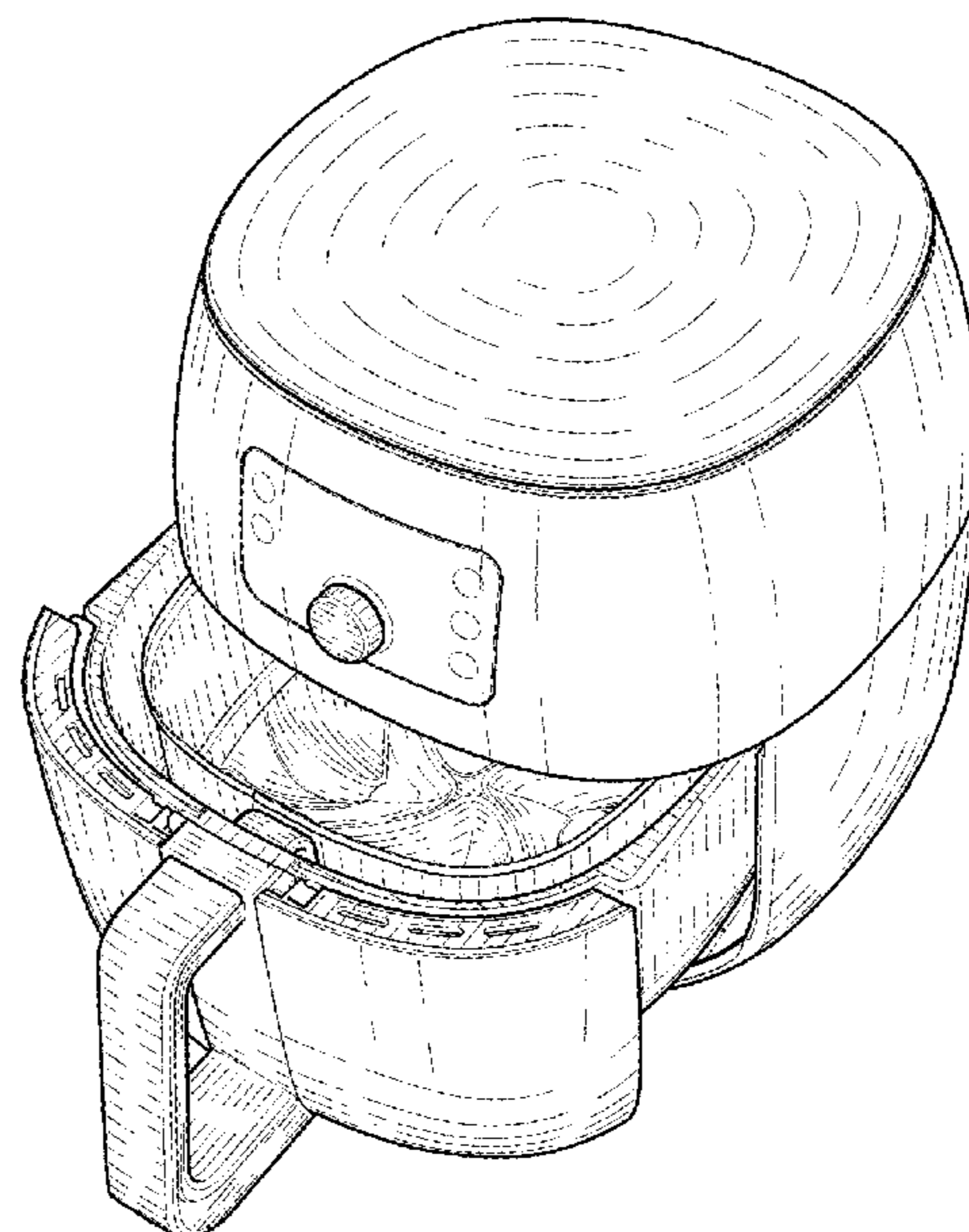
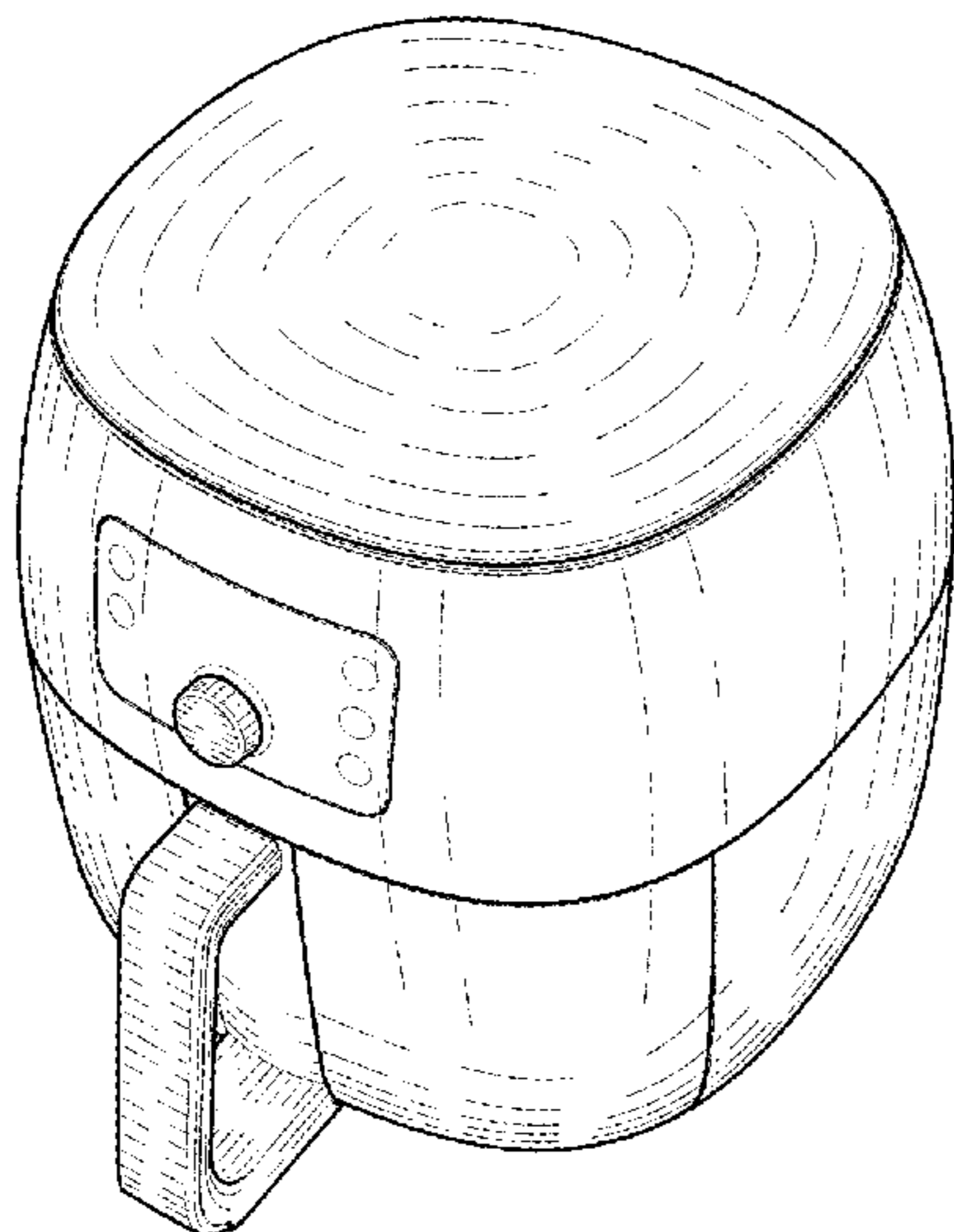
FIG. 5 is a left side elevational view thereof;

FIG. 6 is a top plan view thereof; and,

FIG. 7 is a perspective view thereof showing the tray in an open position for clarity and completeness of disclosure.

The broken lines shown in the drawings are for illustrative purposes only and form no part of the claimed design.

1 Claim, 7 Drawing Sheets



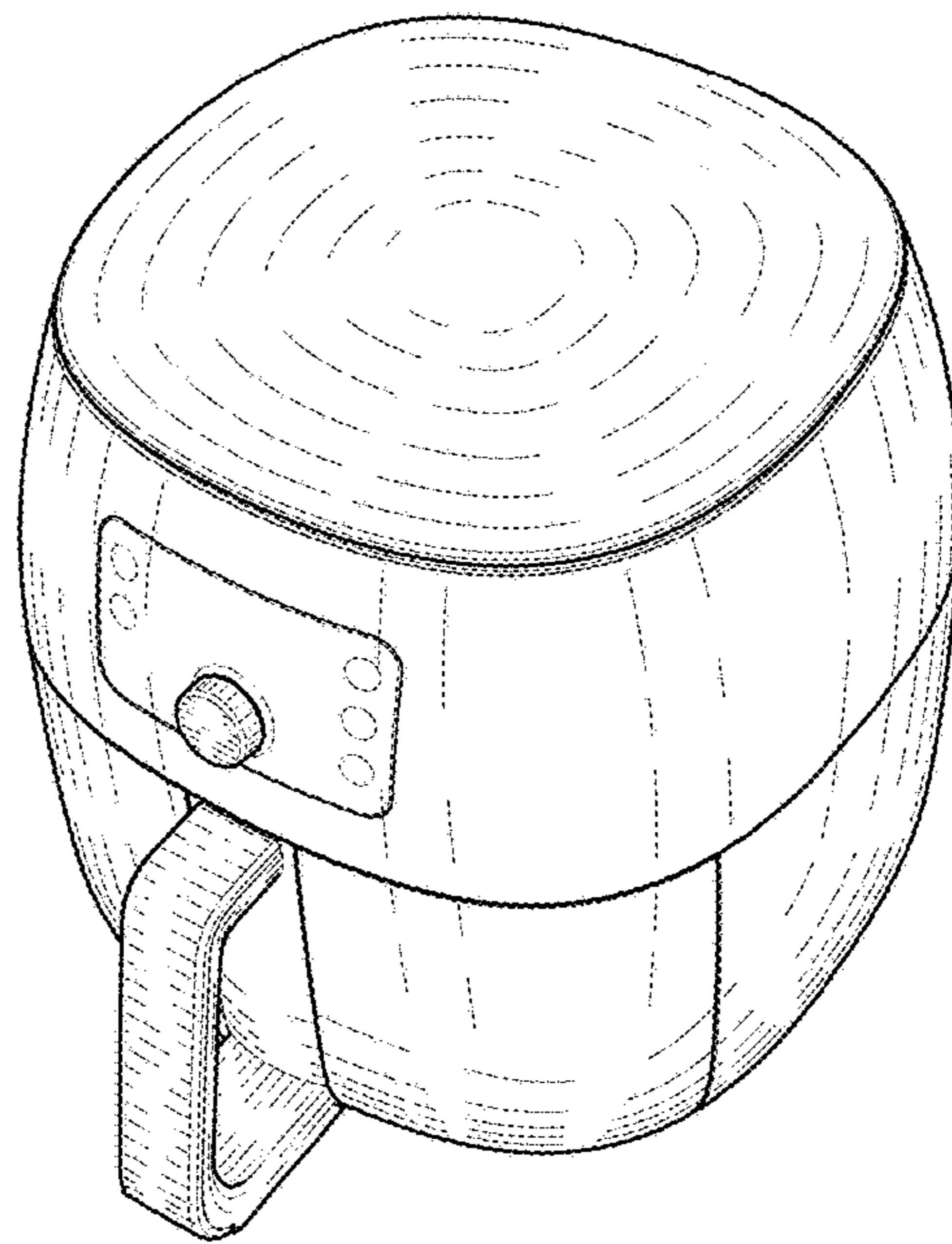


FIG. 1

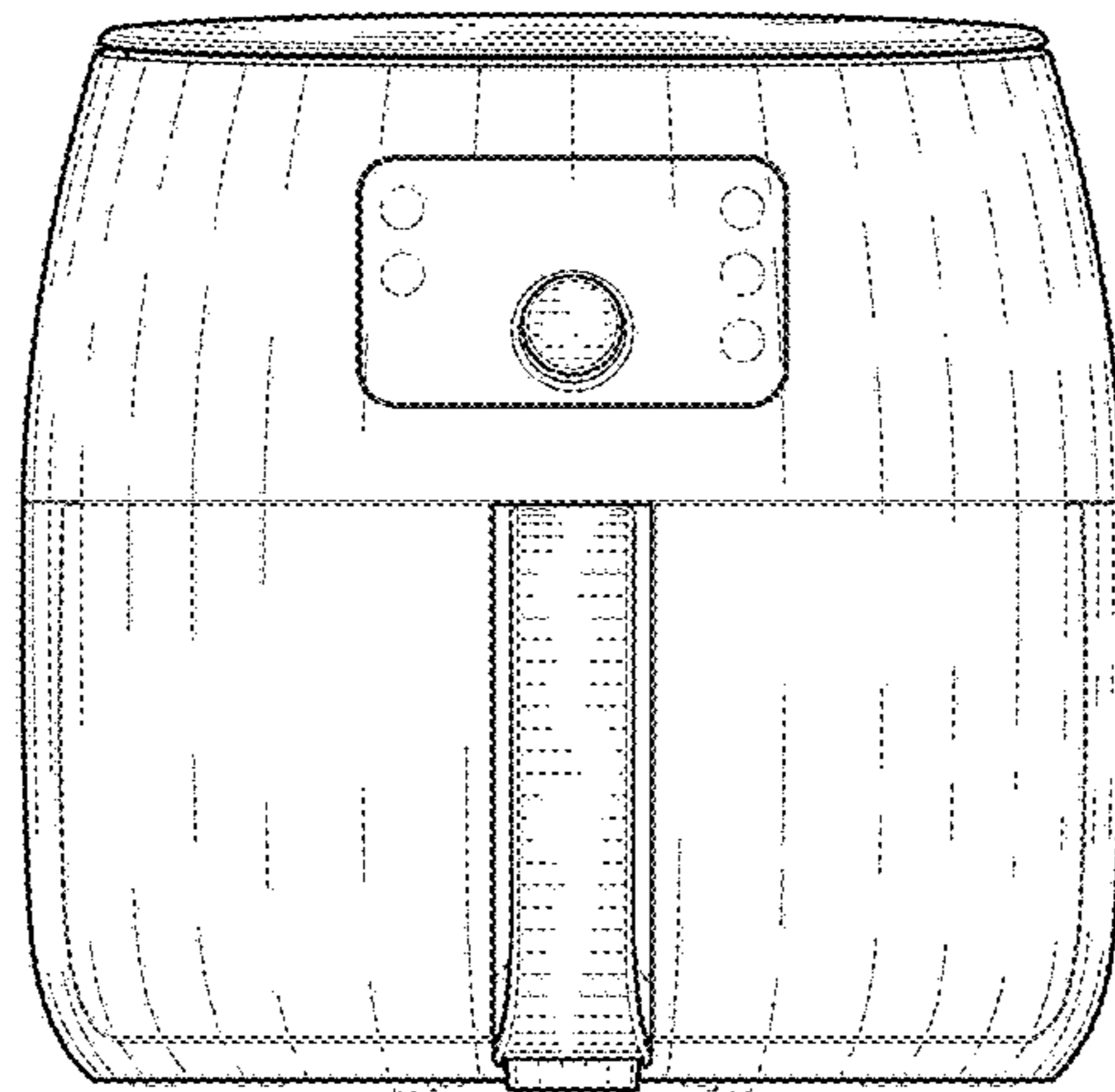


FIG. 2

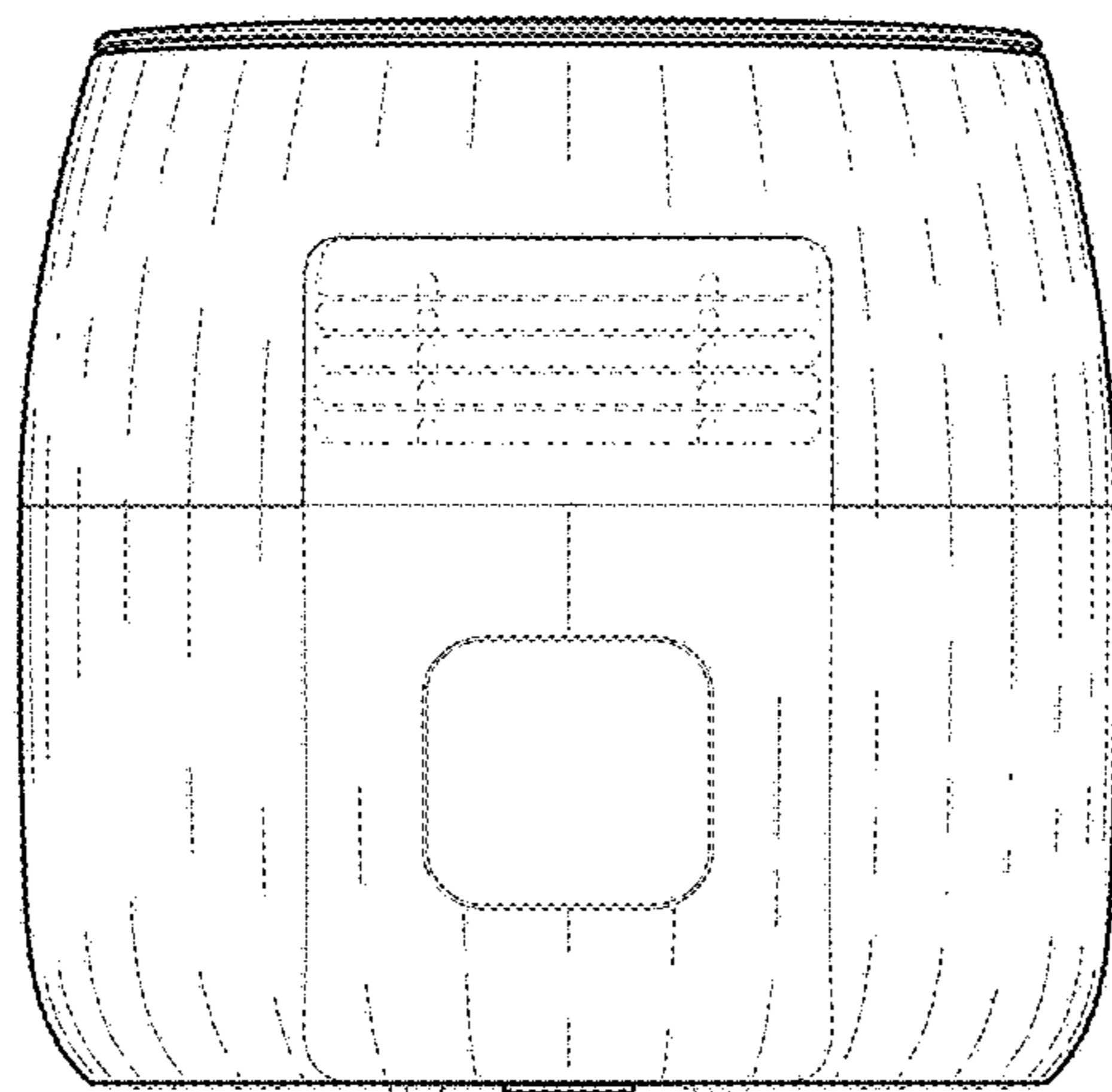


FIG. 3

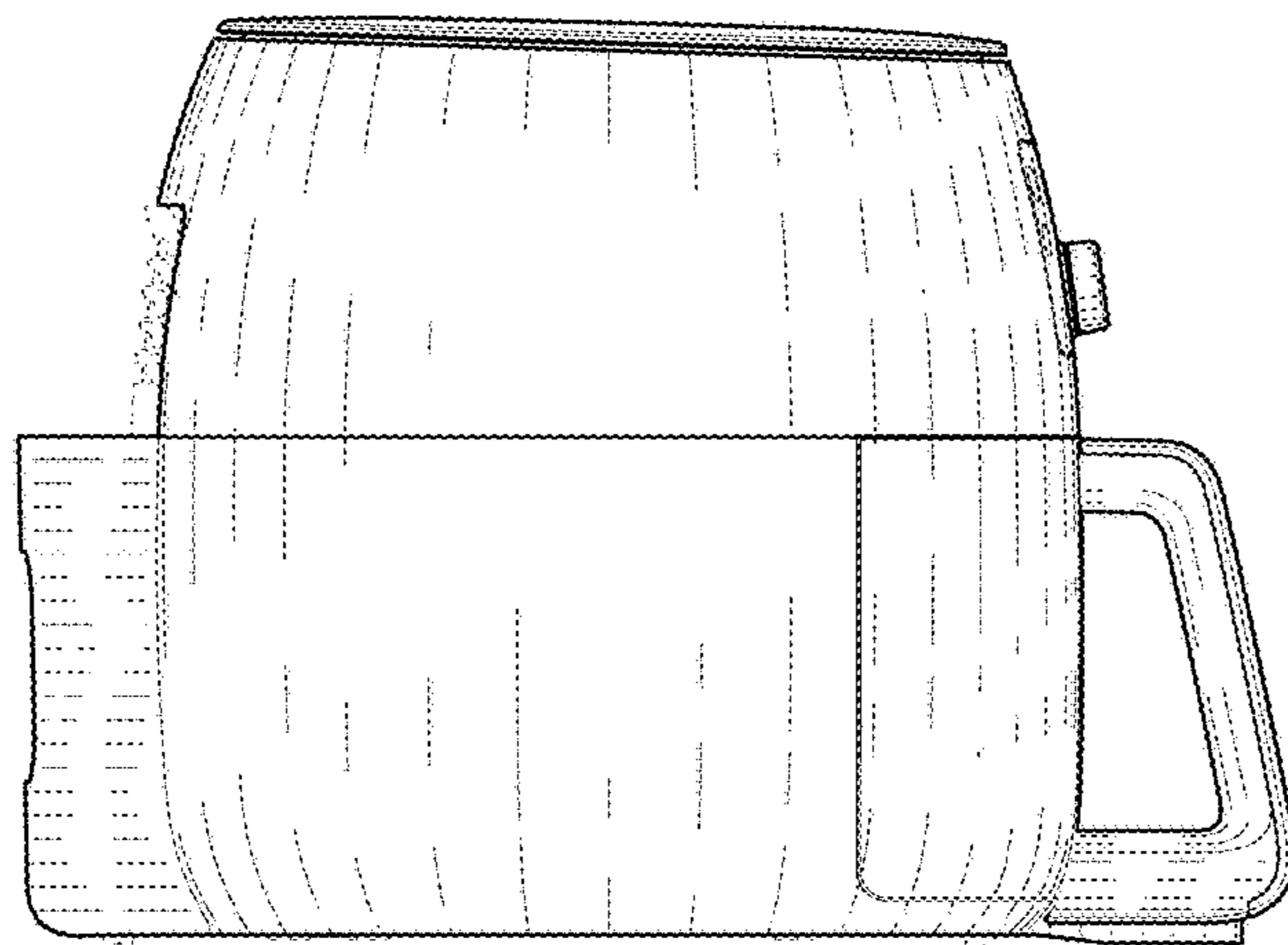


FIG. 4

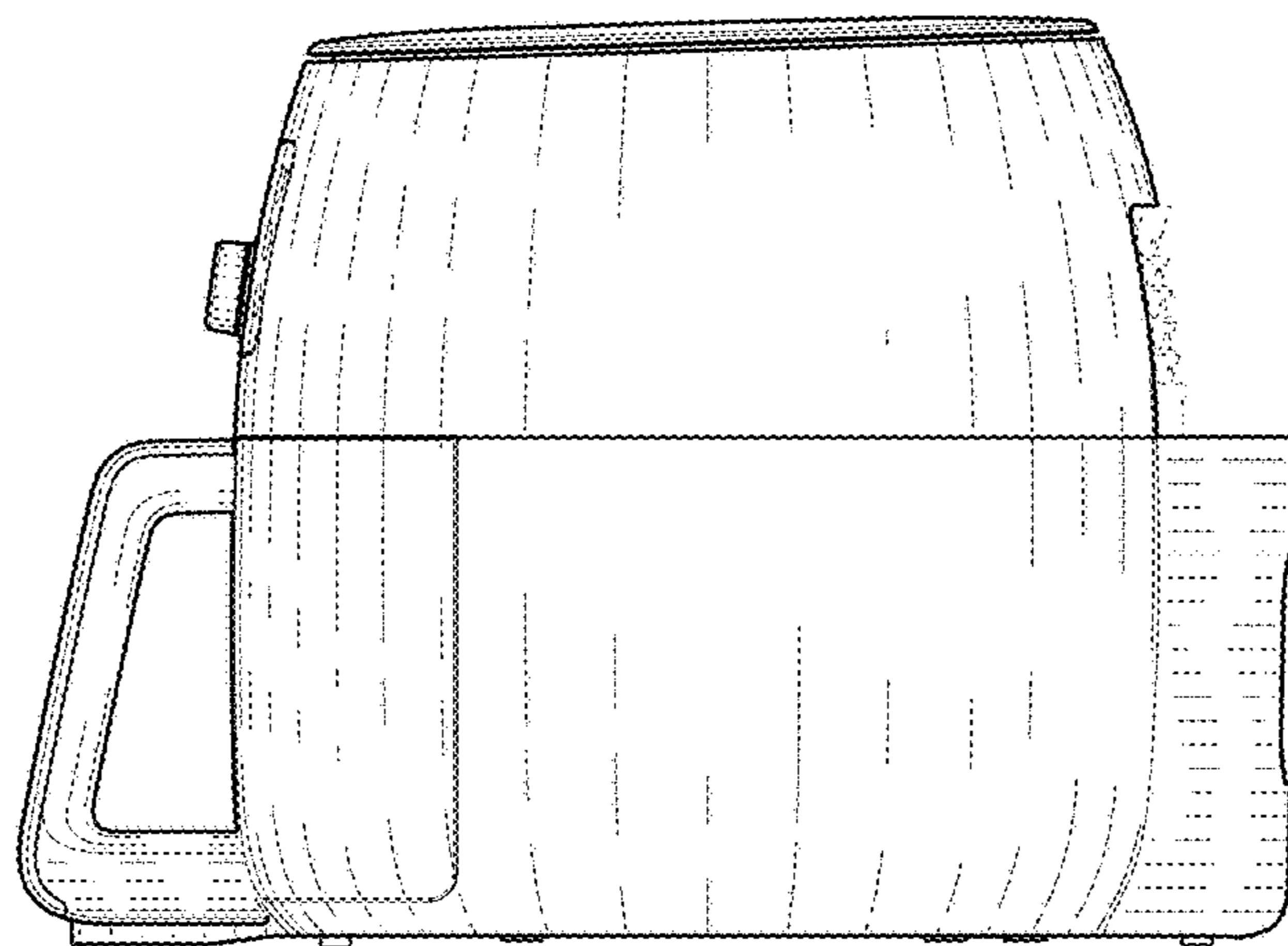


FIG. 5

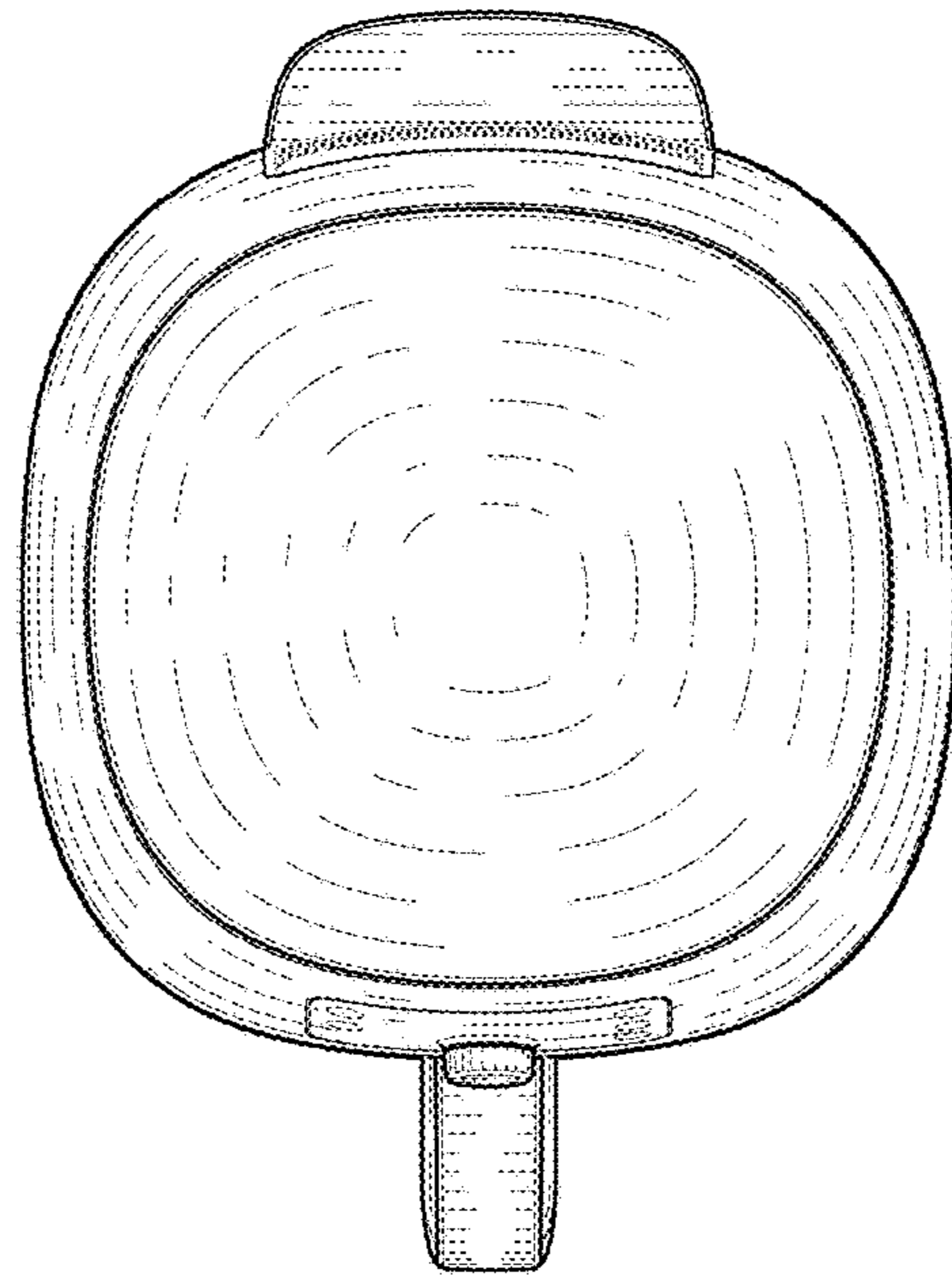


FIG. 6

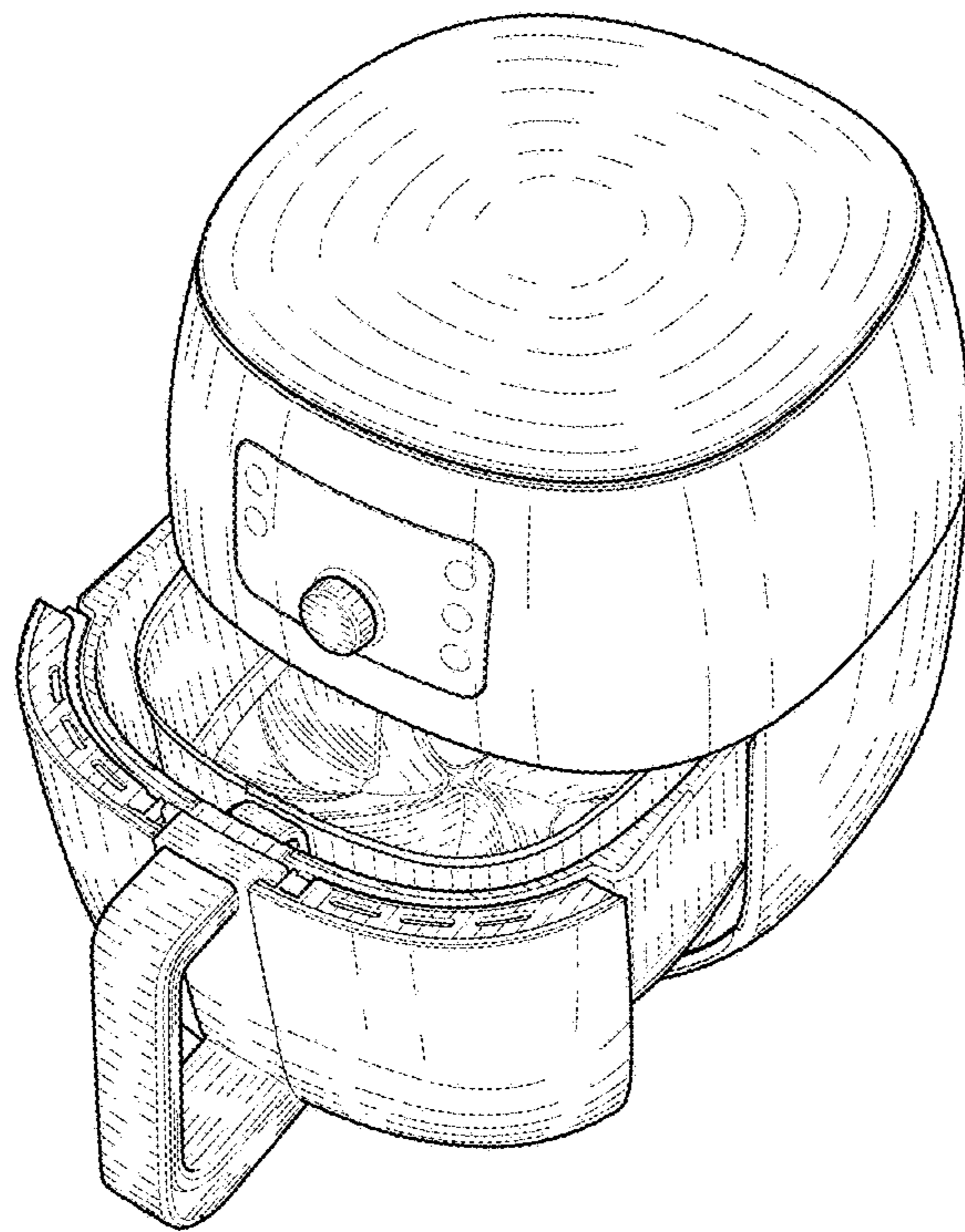


FIG. 7