



US00D848197S

(12) **United States Design Patent** (10) **Patent No.:** **US D848,197 S**  
**Wong** (45) **Date of Patent:** **\*\* May 14, 2019**

(54) **OVEN** 2014/0246966 A1\* 9/2014 Nevarez ..... A47J 39/02  
312/236

(71) Applicant: **Conair Corporation**, Stamford, CT (US) \* cited by examiner

(72) Inventor: **Chi Ho Kurt Wong**, Yuen Long (HK) *Primary Examiner* — Terry A Wallace

(73) Assignee: **CONAIR CORPORATION**, Stamford, CT (US) (74) *Attorney, Agent, or Firm* — McCormick, Paulding & Huber LLP

(\*\*) Term: **15 Years**

(57) **CLAIM**

(21) Appl. No.: **29/605,355**

The ornamental design for an oven, as shown and described.

(22) Filed: **May 25, 2017**

(51) **LOC (11) Cl.** ..... **31-00**

(52) **U.S. Cl.**  
USPC ..... **D7/350.4; D7/330**

**DESCRIPTION**

(58) **Field of Classification Search**  
USPC ... D7/339–341, 344, 346–349, 350.3, 350.4,  
D7/352, 362, 363, 402, 405–409,  
D7/328–331; D8/311, 312; 99/324, 325,  
99/330–339, 342, 403  
See application file for complete search history.

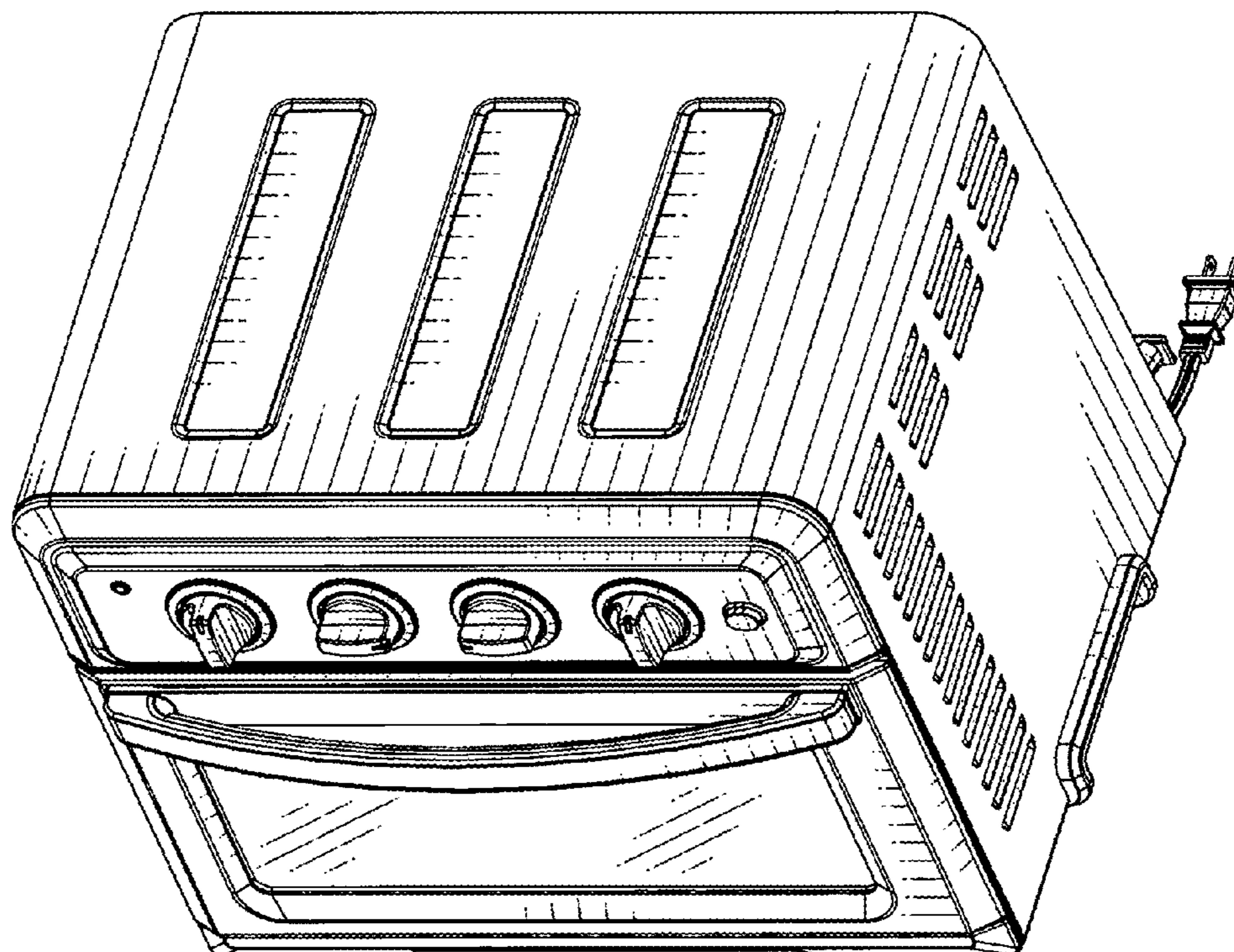
FIG. 1 is a front, top, and right side perspective view of an oven, showing my new design;  
FIG. 2 is a front view thereof;  
FIG. 3 is a back view thereof;  
FIG. 4 is a left view thereof;  
FIG. 5 is a right view thereof;  
FIG. 6 is a top view thereof; and,  
FIG. 7 is a bottom view thereof.  
The broken lines depict portions of the oven that form no part of the claimed design.

(56) **References Cited**

**U.S. PATENT DOCUMENTS**

D318,775 S \* 8/1991 Bonnet ..... D7/350.3  
D539,593 S \* 4/2007 Wang ..... D7/350.4

**1 Claim, 7 Drawing Sheets**



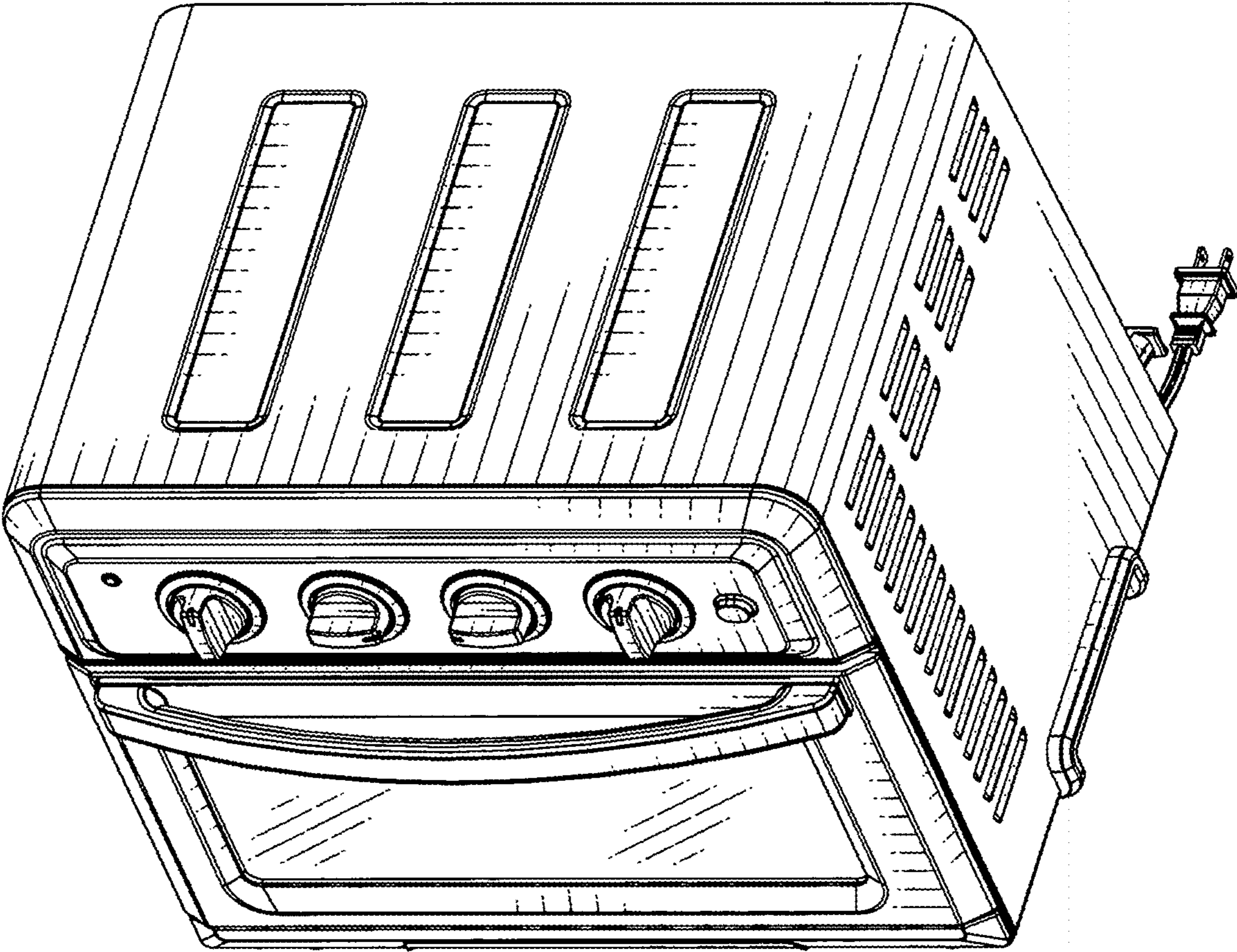


FIG. 1

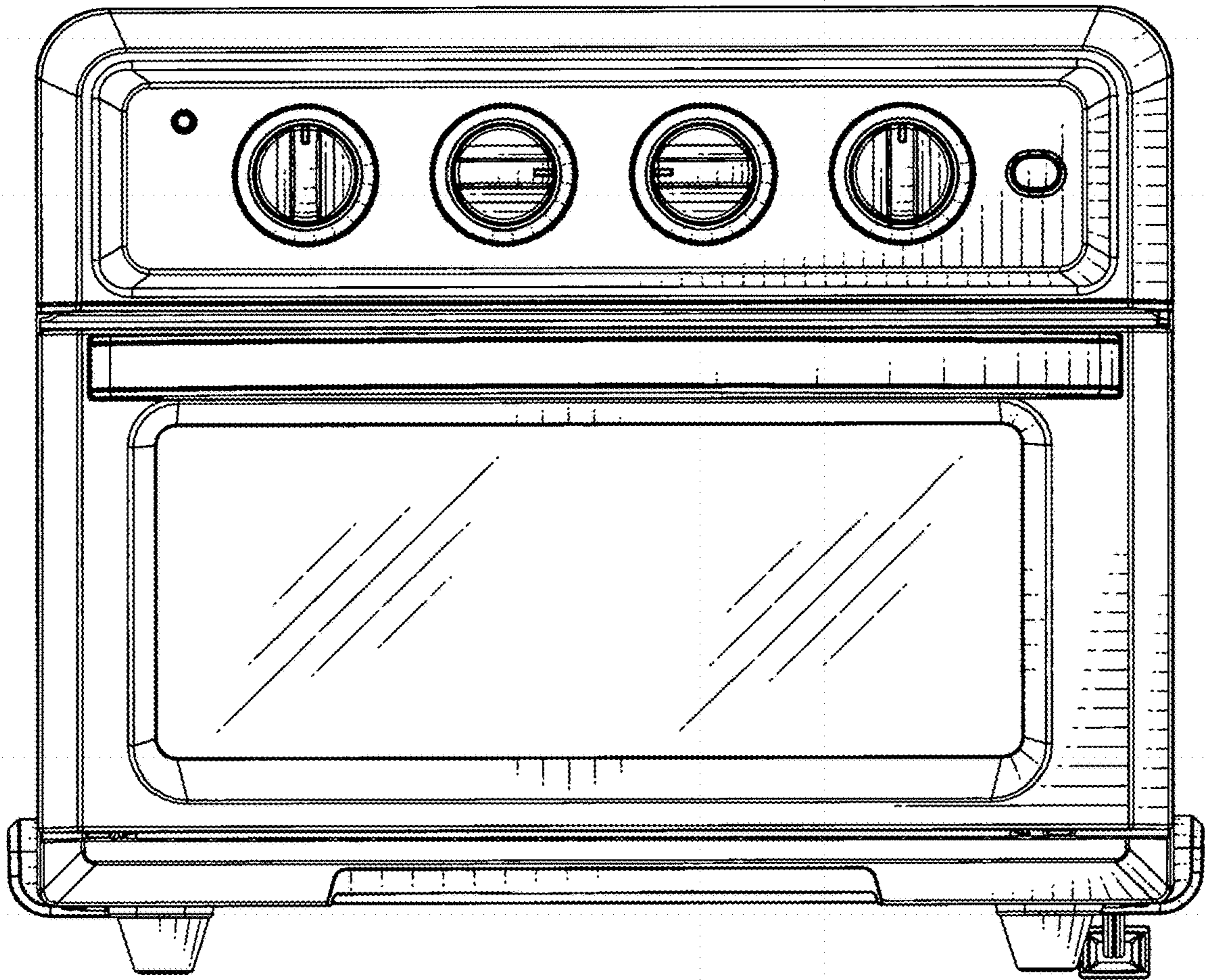


FIG. 2

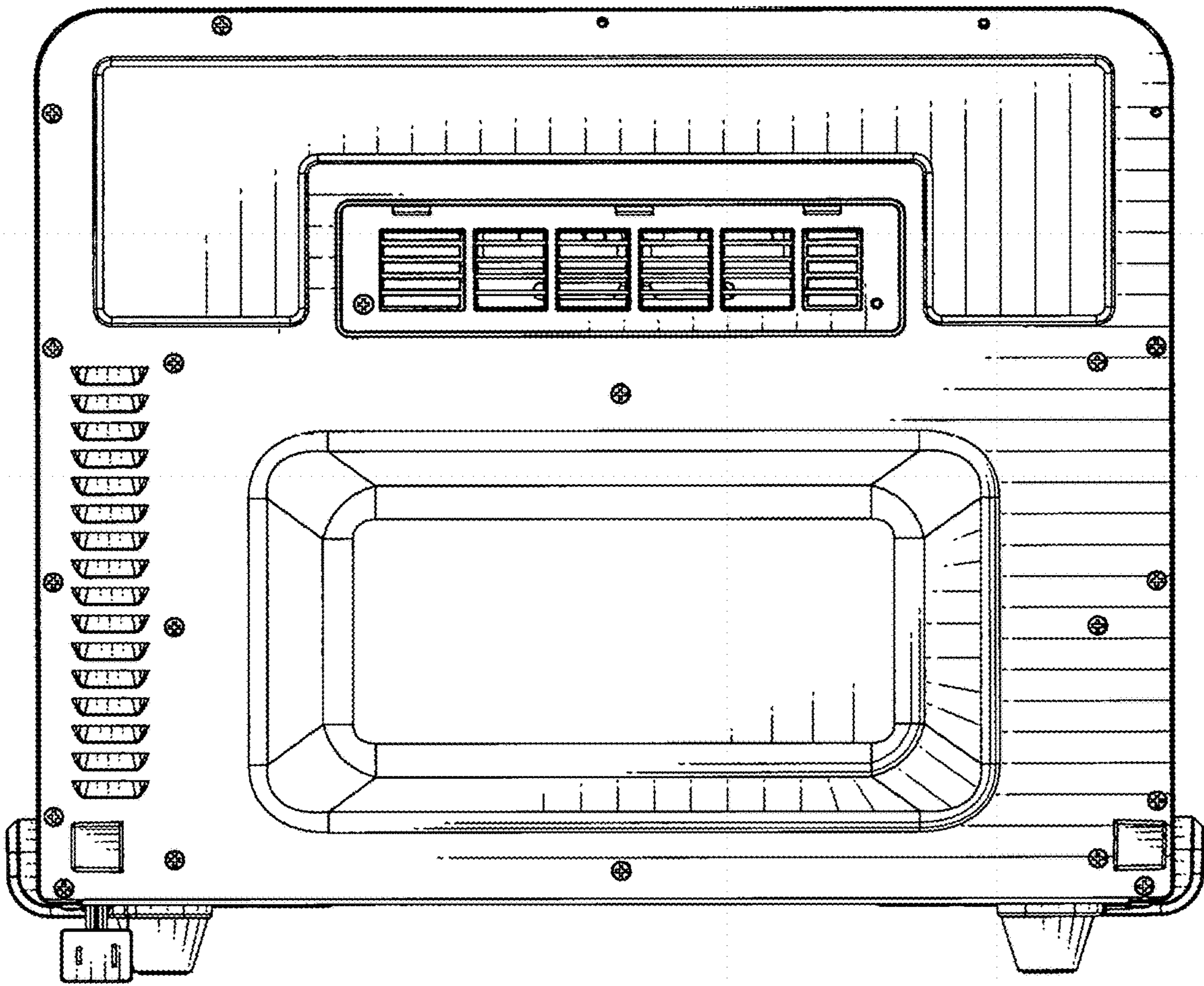


FIG. 3

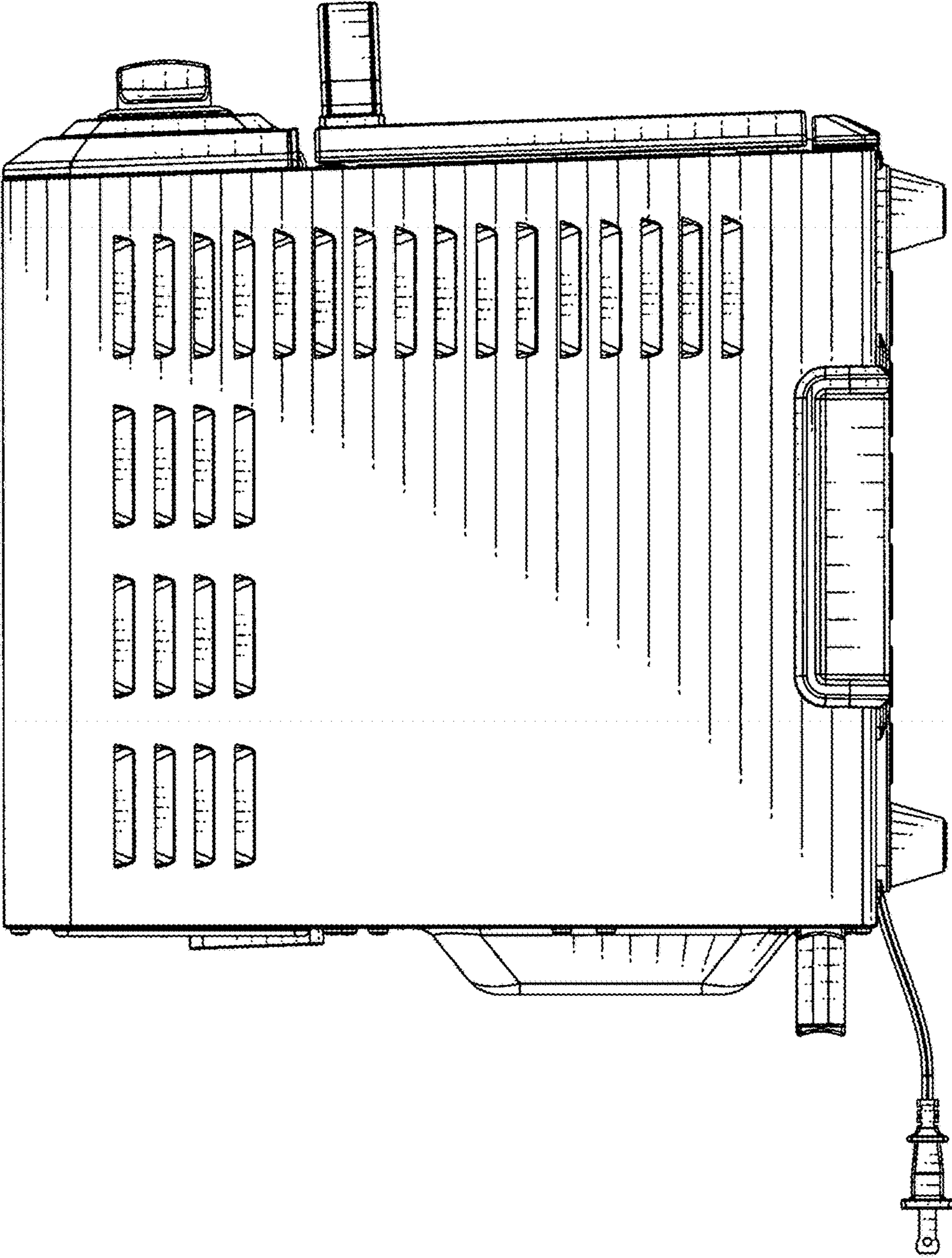


FIG. 4

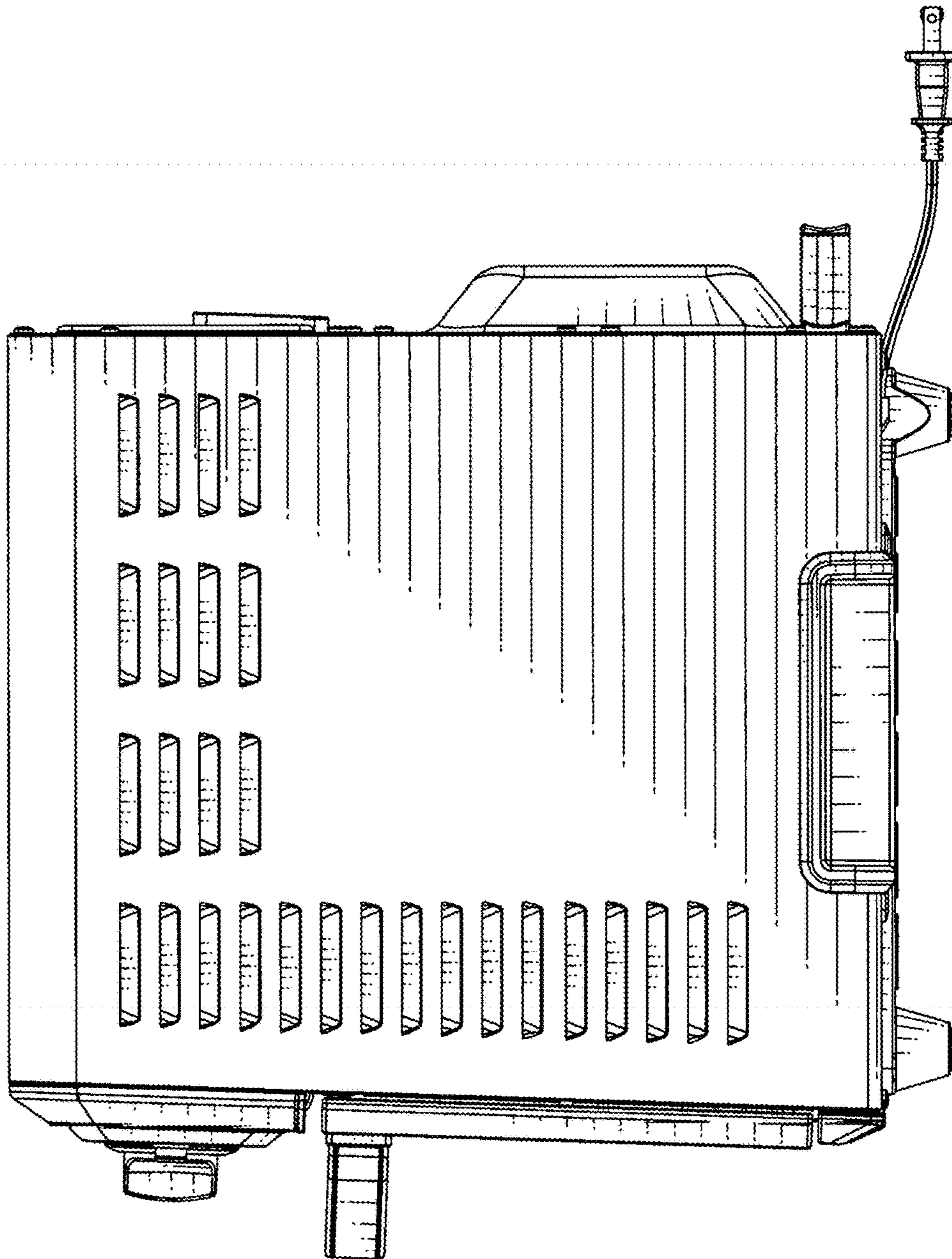


FIG. 5

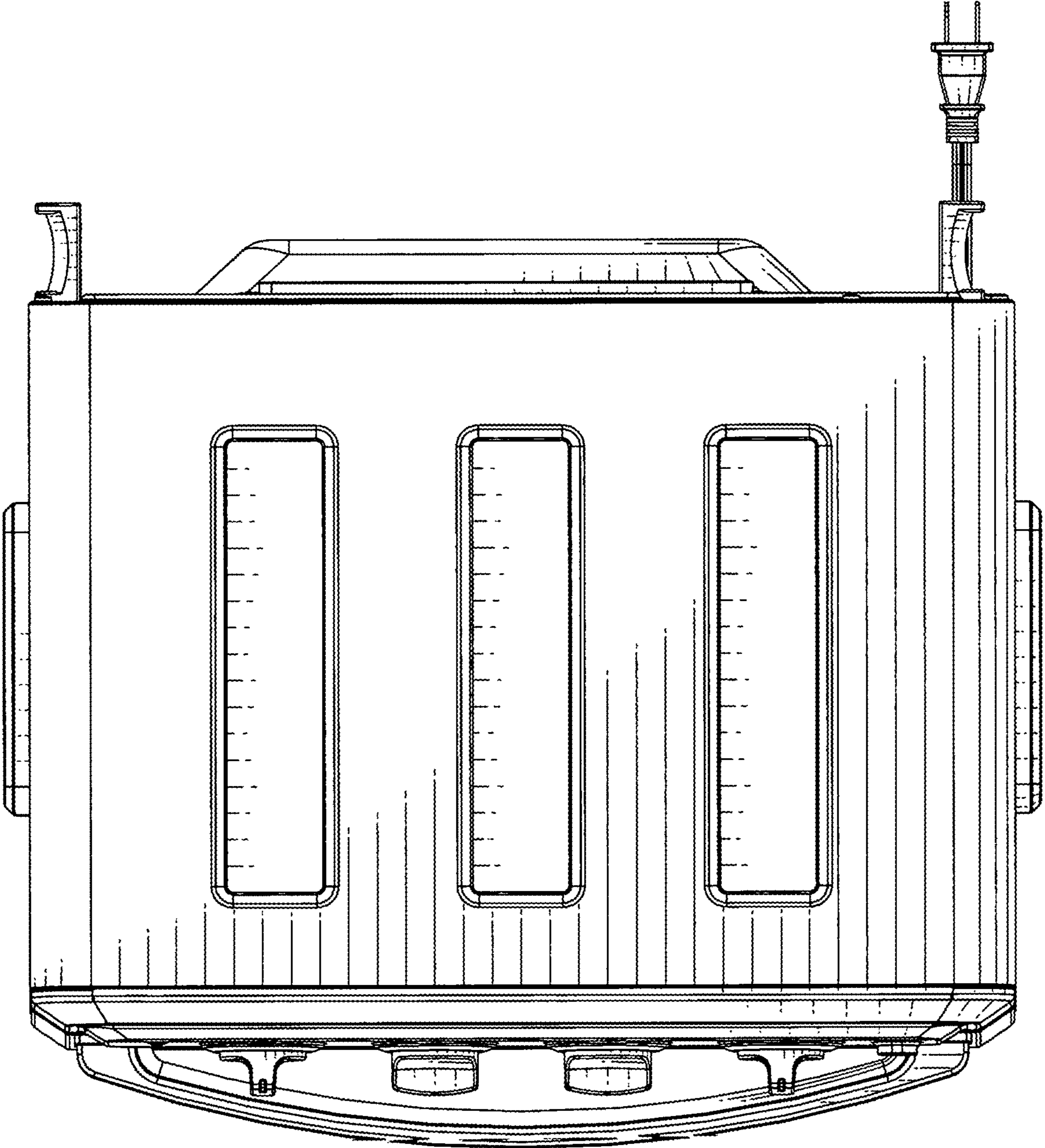


FIG. 6

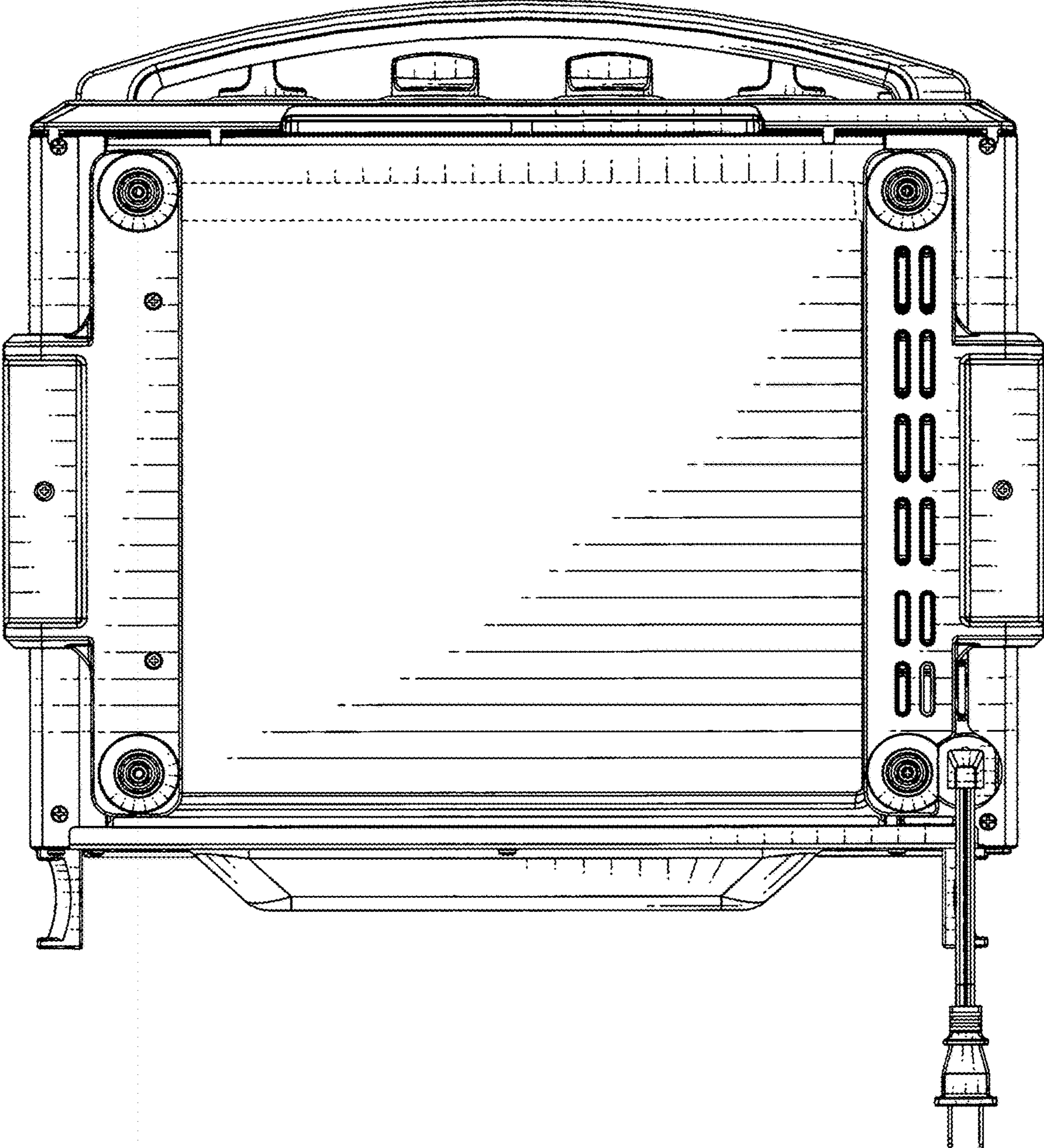


FIG. 7