

US00D848193S

(12) **United States Design Patent** (10) **Patent No.:** **US D848,193 S**
Furuland (45) **Date of Patent:** **** May 14, 2019**

(54) **SUPPORT BASE**
(71) Applicant: **Enfant Terrible Design AB**, Norrtälje (SE)
(72) Inventor: **Lisa Furuland**, Norrtälje (SE)
(73) Assignee: **ENFANT TERRIBLE DESIGN AB**, Norrtälje (SE)
(**) Term: **15 Years**
(21) Appl. No.: **29/640,998**
(22) Filed: **Mar. 19, 2018**
(51) **LOC (11) Cl.** **06-06**
(52) **U.S. Cl.**
USPC **D6/718**; D6/385; D6/348
(58) **Field of Classification Search**
USPC ... D6/333, 334, 344, 348, 708, 709.22, 382, D6/385, 390, 718, 718.26
CPC . A47D 9/00; A47D 9/005; A47D 9/02; A47D 9/04; A47D 11/00; A47D 11/005; A47D 13/02; A47B 13/02; A47B 13/06
See application file for complete search history.

(56) **References Cited**
U.S. PATENT DOCUMENTS
D102,046 S * 11/1936 Wexelblatt D6/348
D138,819 S 9/1944 Larson
D151,675 S * 11/1948 Bird D6/348
D162,045 S 2/1951 Lee
2,569,555 A * 10/1951 Chanslor A47D 9/00
108/190
D170,088 S 7/1953 Hoffman
(Continued)

OTHER PUBLICATIONS
Aguiar Dining Table, AllModern, customer review in 2016, site visited Dec. 20, 2018, available online at <https://www.allmodern.com/furniture/pdp/trent-austin-design-aguiar-5-piece-dining-set-trnt4203.html> (Year: 2016).

(Continued)

Primary Examiner — Cathron C Brooks
(74) *Attorney, Agent, or Firm* — Ward and Smith, P.A.; Ryan K. Simmons

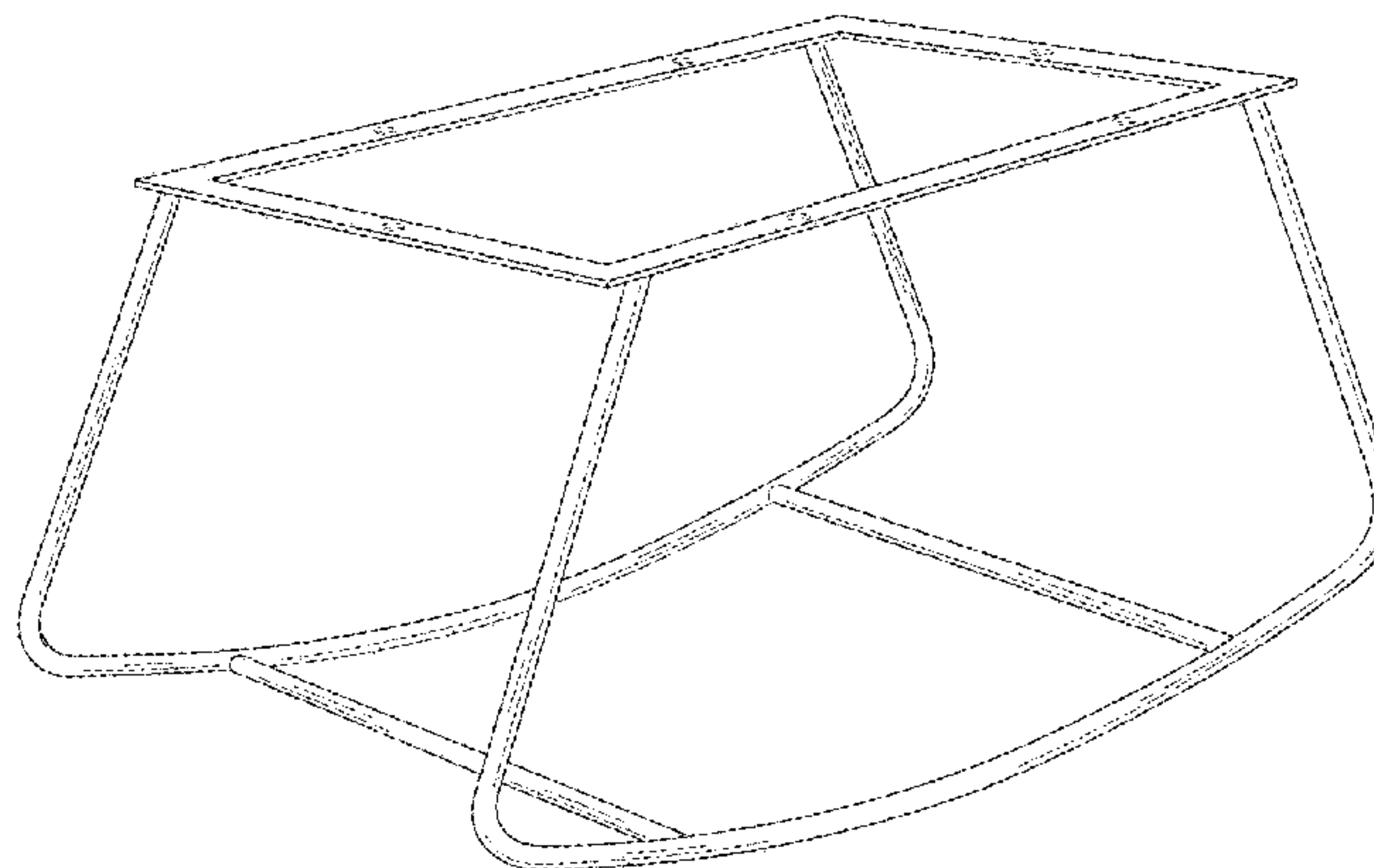
(57) **CLAIM**

The ornamental design for a support base, as shown and described.

DESCRIPTION

FIG. 1 is a perspective view of a support base showing a new design;
FIG. 2 is a left side elevation view thereof, the right side being a mirror image;
FIG. 3 is a front elevation view thereof, the rear being a mirror image;
FIG. 4 is a top plan view thereof;
FIG. 5 is a bottom plan view thereof;
FIG. 6 is another perspective view of the support base of FIG. 1, but shown with broken line subject matter;
FIG. 7 is a left side elevation view thereof, the right side being a mirror image;
FIG. 8 is a front elevation view thereof, the rear being a mirror image;
FIG. 9 is a top plan view thereof;
FIG. 10 is a bottom plan view thereof;
FIG. 11 is yet another perspective view of the support base of FIG. 1, but shown with the broken line subject matter appearing as transparent;
FIG. 12 is a left side elevation view thereof, the right side being a mirror image;
FIG. 13 is a front elevation view thereof, the rear being a mirror image;
FIG. 14 is a top plan view thereof; and,
FIG. 15 is a bottom plan view thereof.
The dashed lines are included for the purpose of illustrating portions of the support base and environmental subject matter that form no part of the claimed design.

1 Claim, 15 Drawing Sheets



(56)

References Cited

U.S. PATENT DOCUMENTS

2,672,627 A * 3/1954 Hagelfeldt A47D 9/005
5/114
2,688,997 A * 9/1954 Miller A47D 9/02
297/129
3,004,793 A 10/1961 Loomis
D196,371 S 9/1963 Lieberman
D197,967 S 4/1964 Waitzman
3,235,891 A 2/1966 Yamil
D205,978 S * 10/1966 Zavodny D21/688
3,513,489 A 5/1970 Martin
3,833,947 A 9/1974 Sorensen
3,890,660 A * 6/1975 Pedler A47C 3/029
297/274
D239,898 S * 5/1976 Kirshenbaum et al. .. D6/708.16
4,081,869 A * 4/1978 Ash A47D 13/107
297/274
D250,860 S 1/1979 Castro
D278,959 S 5/1985 Berry, Jr.
D287,669 S * 1/1987 Opsvik D6/330
D299,195 S 1/1989 Frinier
D309,993 S 8/1990 Miklos
D321,297 S 11/1991 Winzeler, III
D321,298 S 11/1991 Winzeler, III
D351,756 S 10/1994 Miller
D383,913 S * 9/1997 Ahlstrom D6/348
D387,210 S 12/1997 Hutton
5,699,569 A 12/1997 Schwarz-Zohrer
D389,676 S 1/1998 Diaz-Azcuy
D416,143 S 11/1999 Ragan
D426,713 S 6/2000 Peterson
D428,269 S 7/2000 Peterson
D431,724 S 10/2000 Peterson
D435,355 S 12/2000 Peterson
D449,469 S 10/2001 O'Hare
D478,748 S 8/2003 Liu
D514,834 S 2/2006 O'Hare
D517,835 S 3/2006 O'Hare
7,213,277 B1 * 5/2007 Hsieh A47C 3/029
5/101
D546,588 S 7/2007 Massaud
D552,383 S 10/2007 Glebe
D555,918 S 11/2007 Massaud
D590,153 S 4/2009 Sapp
D614,420 S * 4/2010 Wu D6/385
D617,112 S 6/2010 Tsai
D624,762 S * 10/2010 Podsiadlo D6/348
D640,839 S 6/2011 Zine
D652,339 S 1/2012 Zander
D658,911 S * 5/2012 Jeanty D6/708.16
D670,512 S 11/2012 Li
D687,235 S 8/2013 Sage
D689,703 S * 9/2013 Oren D6/348
D702,468 S 4/2014 Pedersen
D716,596 S 11/2014 Pedersen
D723,747 S 3/2015 Diskin
D725,922 S 4/2015 Banda
D726,466 S 4/2015 Lin
D758,753 S 6/2016 Lagier
D764,187 S 8/2016 Herrmann
D770,213 S * 11/2016 Bellows D6/718
D771,515 S 11/2016 Barden
D771,963 S 11/2016 Patel

9,585,493 B2 * 3/2017 Haut A47D 9/02
D826,592 S * 8/2018 Kapanzhi D6/390
D833,786 S 11/2018 Everson
2014/0075670 A1 * 3/2014 Crumrine A47D 7/002
5/99.1
2016/0066708 A1 * 3/2016 Sclare A47D 13/105
297/260.2

OTHER PUBLICATIONS

55 Downing Street Fara Coffee Table, amazon.com, reviewed Mar. 31, 2017, site visited Dec. 31, 2018, available online at <https://www.amazon.com/55-Downing-Street-Antique-Coffee/dp/B01NOCCMNY> (Year: 2017).
Innerspace Luxury Products Barrel Table, amazon.com, reviewed Dec. 21, 2017, site visited Dec. 31, 2018, available online at <https://www.amazon.com/InnerSpace-Luxury-Products-Barrel-Circles/dp/B00C6730BG> (Year: 2017).
DIY Reclaimed Wood Coffee Table, csrlalumni.org, site visited Dec. 31, 2018, available online at <http://csrlalumni.org/reclaimed-wood-coffee-table-diy-gallery/29887/nice-reclaimed-wood-coffee-table-diy-interior-property-in-reclaimed-wood-coffee-table> . . . (Year: 2018).
Wine crate natural wood coffee table, quelfilm.info, May 10, 2018, site visited Dec. 31, 2018, available online at <http://quelfilm.info/natural-wood-round-coffee-table/> (Year: 2018).
Tremont Round Coffee Table, Pier1.com, reviewed Nov. 29, 2017, site visited Dec. 31, 2018, available online at <https://www.pier1.com/tremont-round-coffee-table/2779639.html?cjevent=ec0fd4e10d3d11e98163078e0a240614&scid=aff0000002%7C1909792&u> . . . (Year: 2017).
Ella Coffee Table, Summer Classics, internet archive date of Mar. 7, 2016, site visited Dec. 20, 2018, available online at <https://summerclassics.com/products/ella-coffee-table-2/> (Year: 2016).
Waylen Oval Upholstered Coffee Table, Furniture of America, Houzz.com, site visited Dec. 20, 2018, available online at https://www.houzz.com/product/120493168-furniture-of-america-waylen-oval-upholstered-coffee-table-beige-transitional-coffee-tables/?m_refid=PLA . . . (Year: 2018).
Miller Oval Button Tufted Ottoman, Furniture of America, People.com, site visited Dec. 20, 2018, available online at <https://people.com/shop/furniture-of-america-furniture-of-america-miller-beige-oval-button-tufted-ottoman-pf6dc6d1d9f17e6661a329b72275f5792.html> (Year: 2018).
Velvet Grey Tufted Ottoman Coffee Table, blockislandtransportation.com, site visited Dec. 31, 2018, available online at <http://blockislandtransportation.com/...-decor-large-with-storage-gray-ottoman-furniture-round-cloth-small-black-leather-hassock-modern/> (Year: 2018).
Mark Sikes Canon Storage Ottoman, One Kings Lane, site visited Dec. 31, 2018, available online at https://www.onekingslane.com/p/4755482-canon-storage-ottoman-blue-floral-linen.do?utm_medium=Affiliates&utm_source=CJ&utm_term=12940326 . . . (Year: 2018).
Naula Tufted Storage Ottoman, architonic.com, site visited Dec. 31, 2018, available online at <https://www.architonic.com/en/product/naula-tufted-storage-ottoman/1263705> (Year 2018).
Safavieh Storage Ottoman, homedepot.com, site visited Dec. 31, 2018, available online at <https://www.homedepot.com/p/Safavieh-Tanisha-Off-White-Storage-Ottoman-MCR1005B/205831451> (Year: 2018).

* cited by examiner

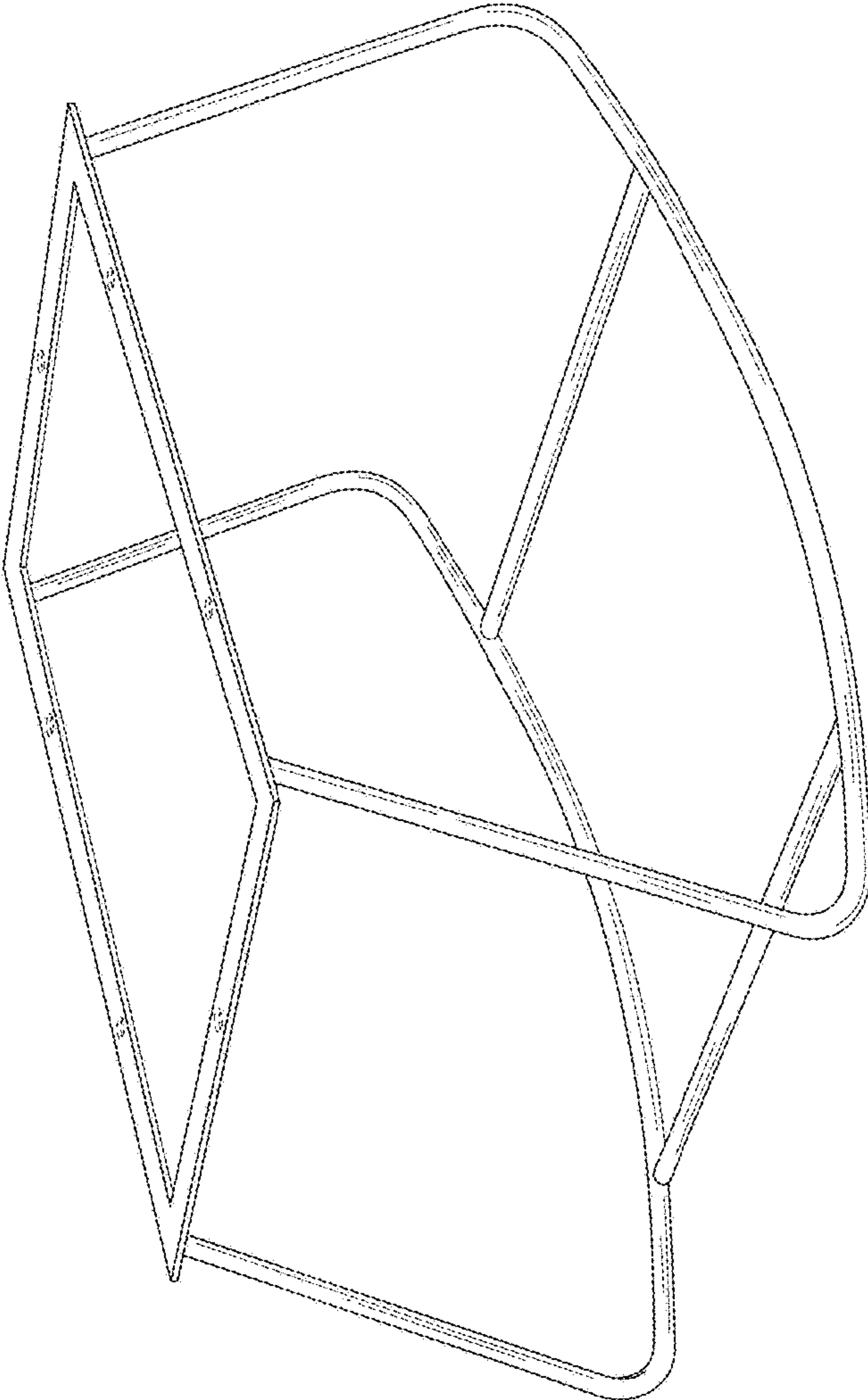


FIG. 1

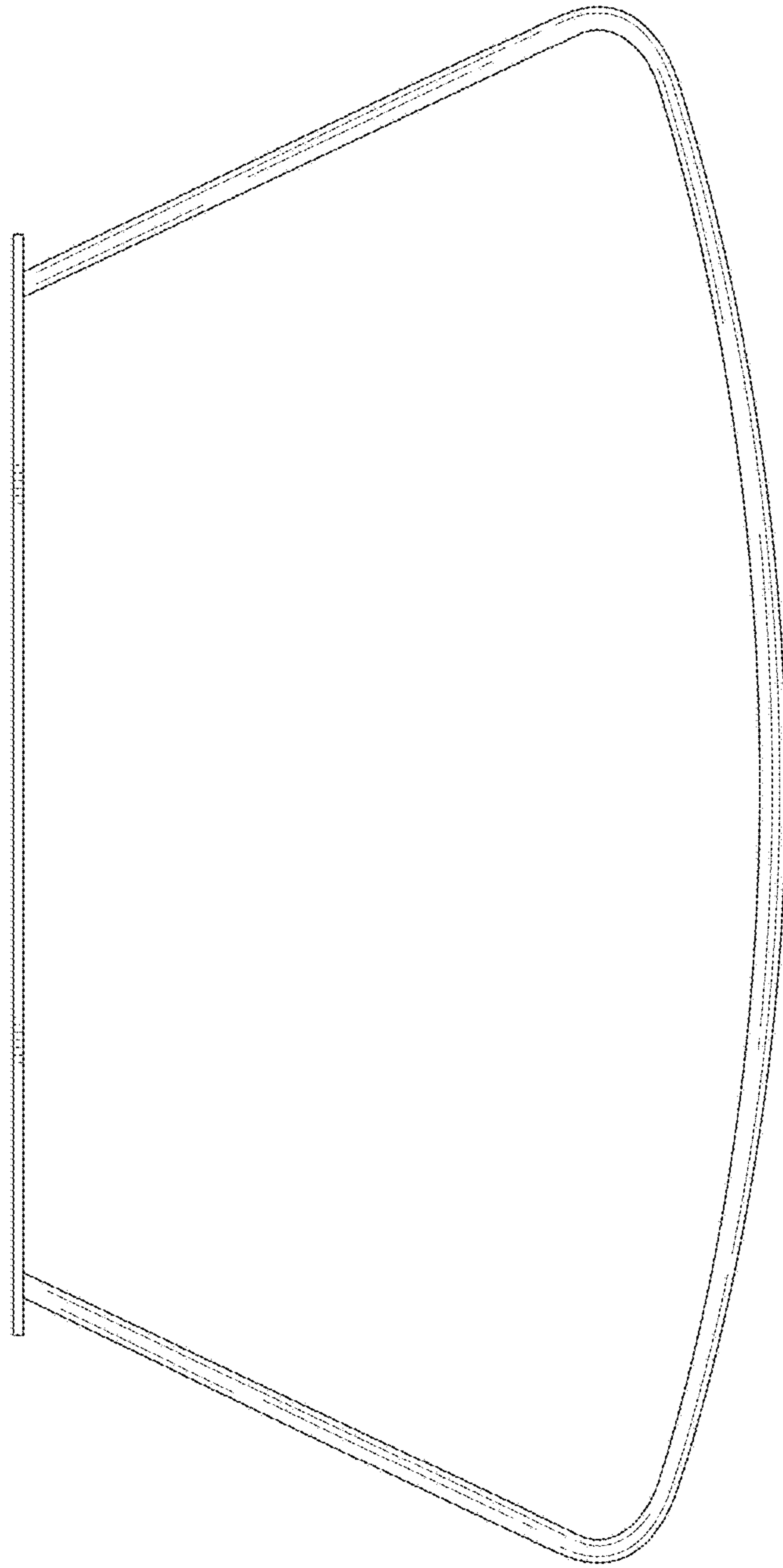


FIG. 2

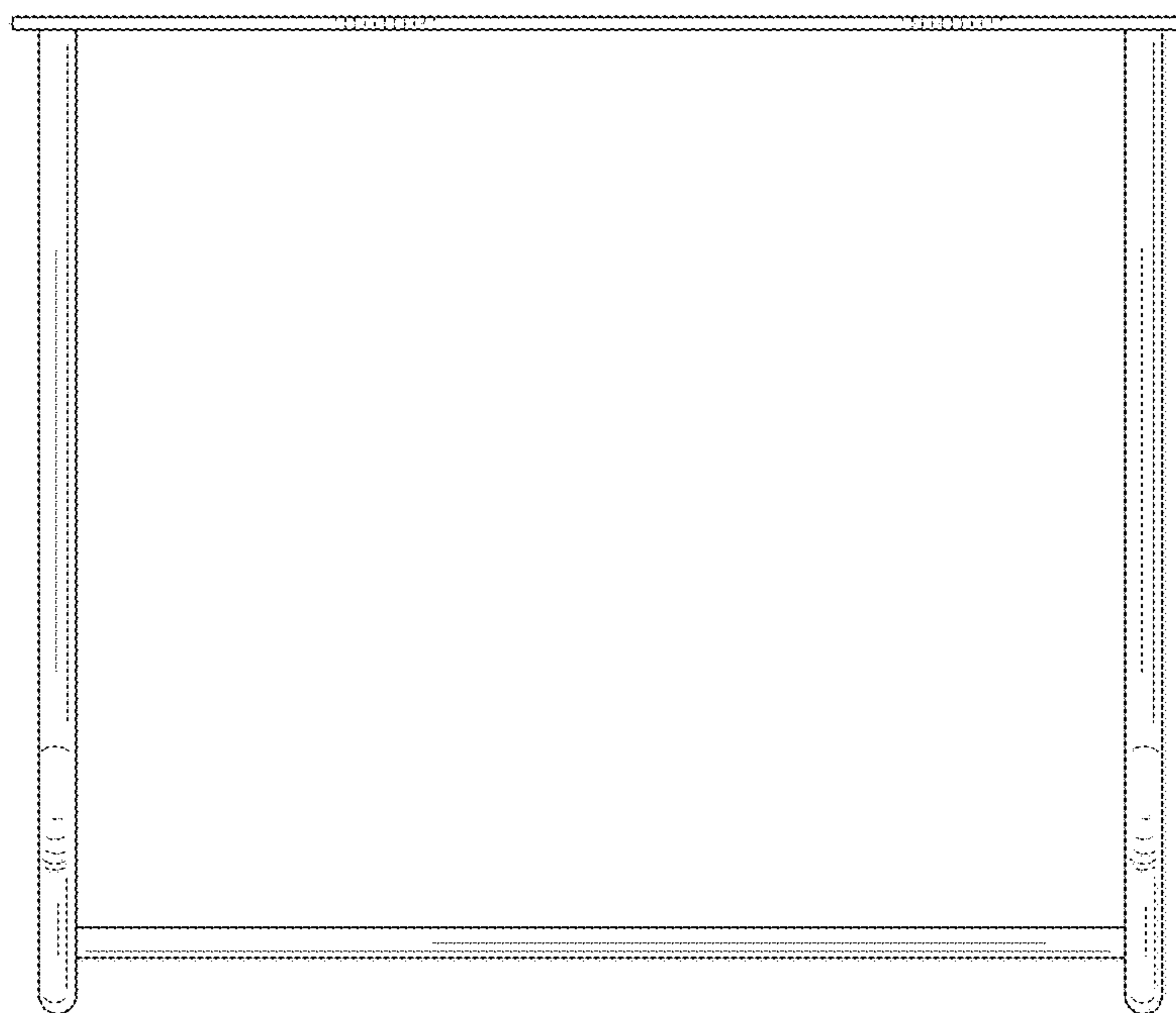


FIG. 3

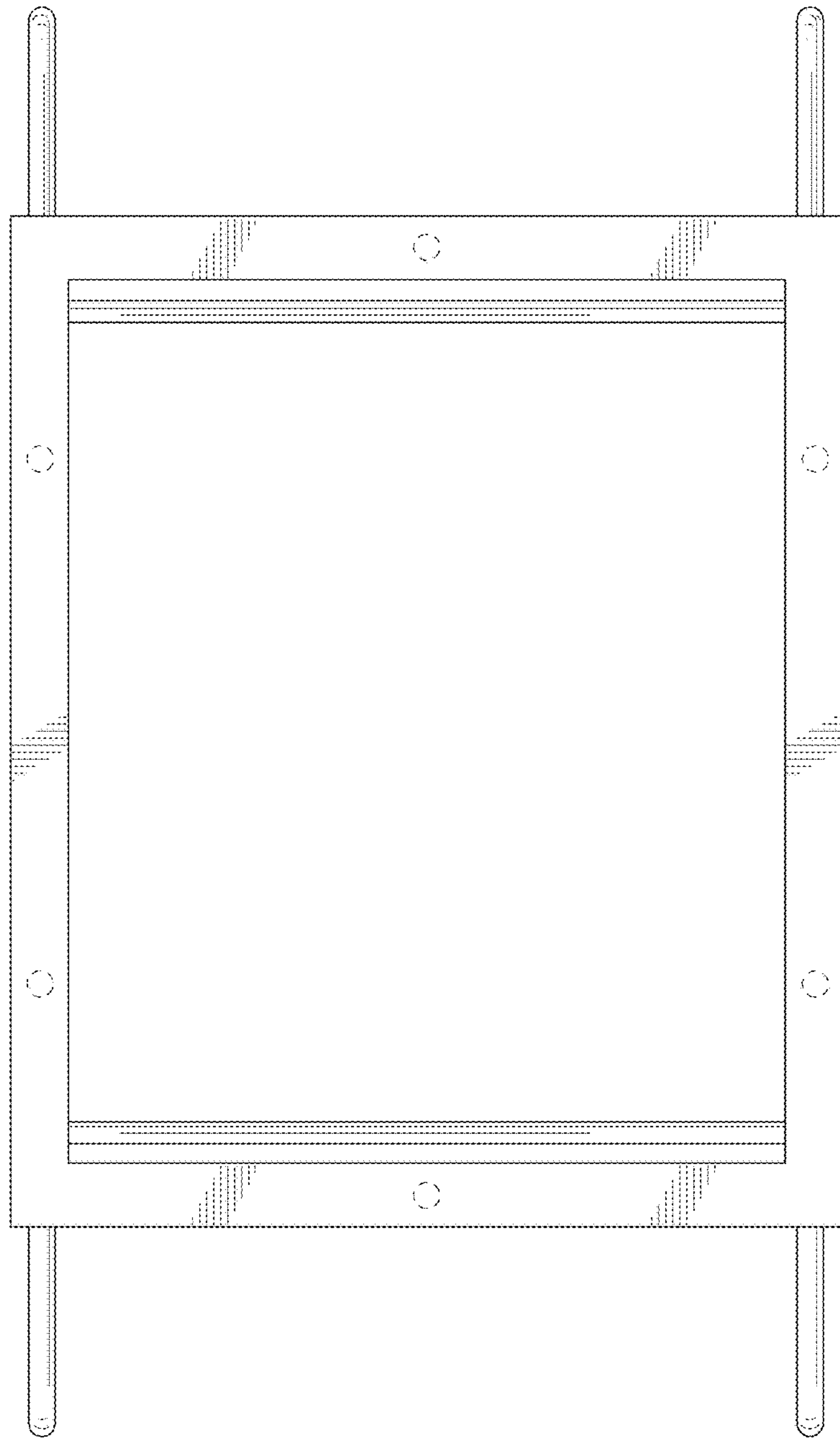
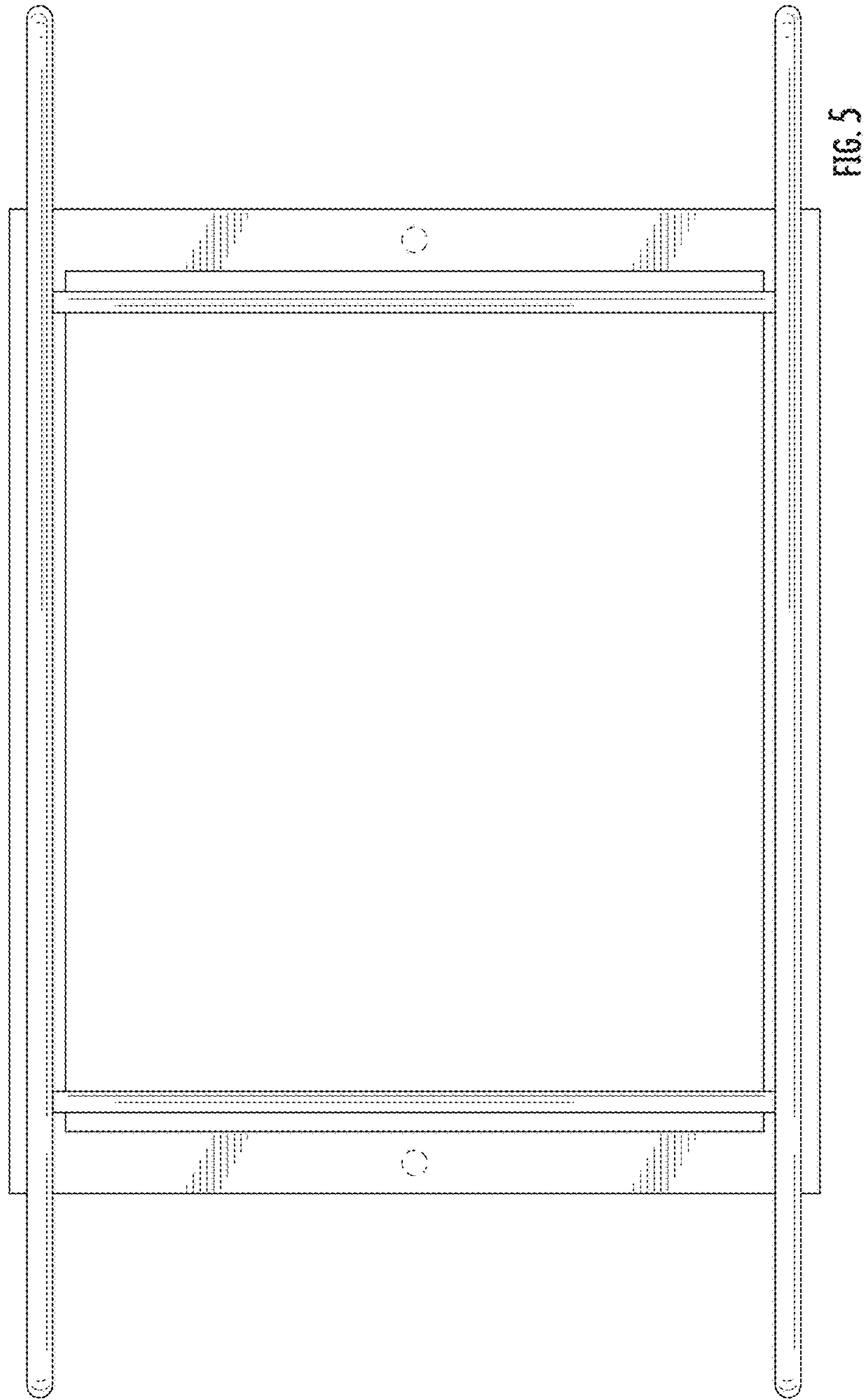


FIG. 4



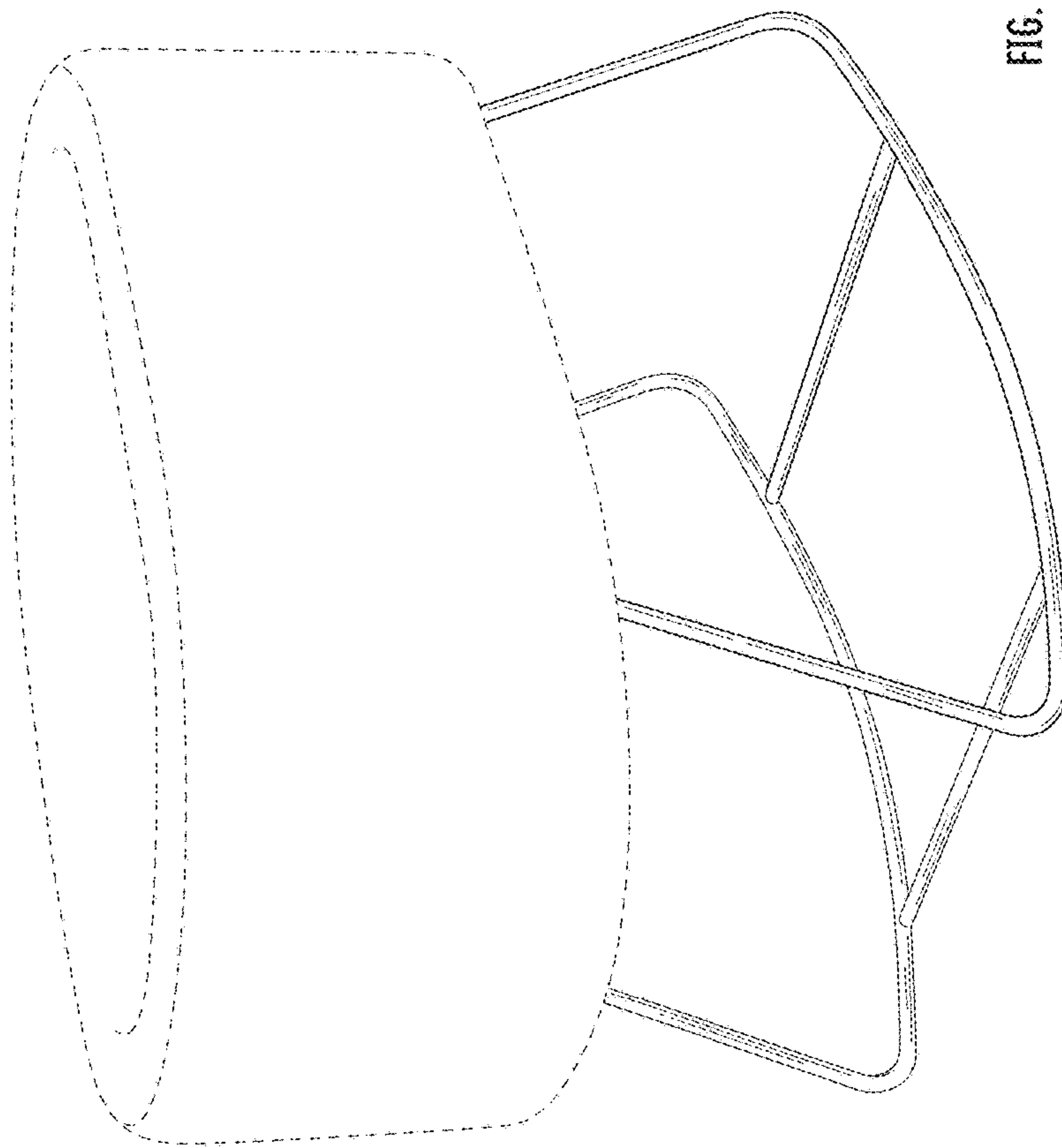
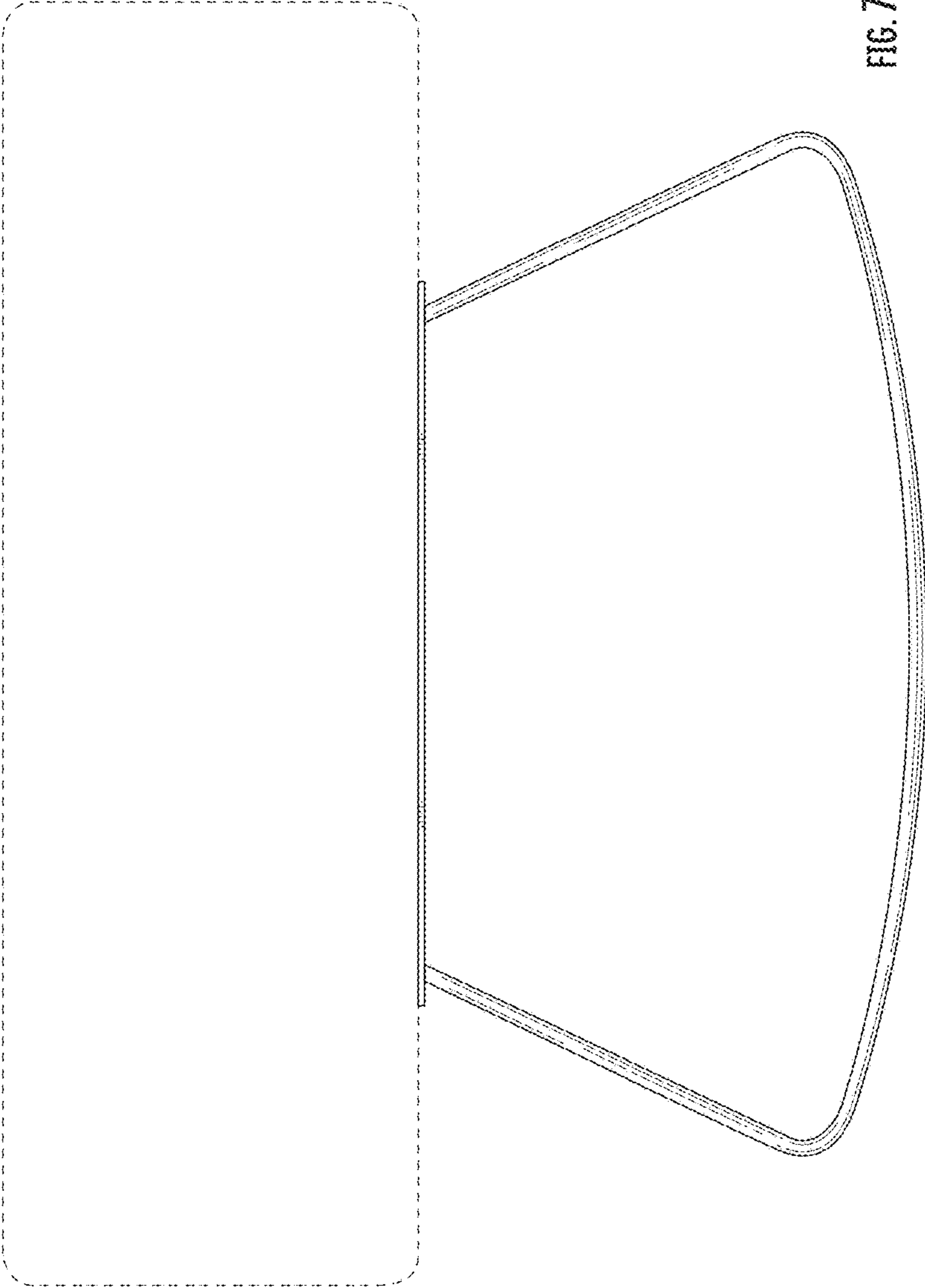


FIG. 6



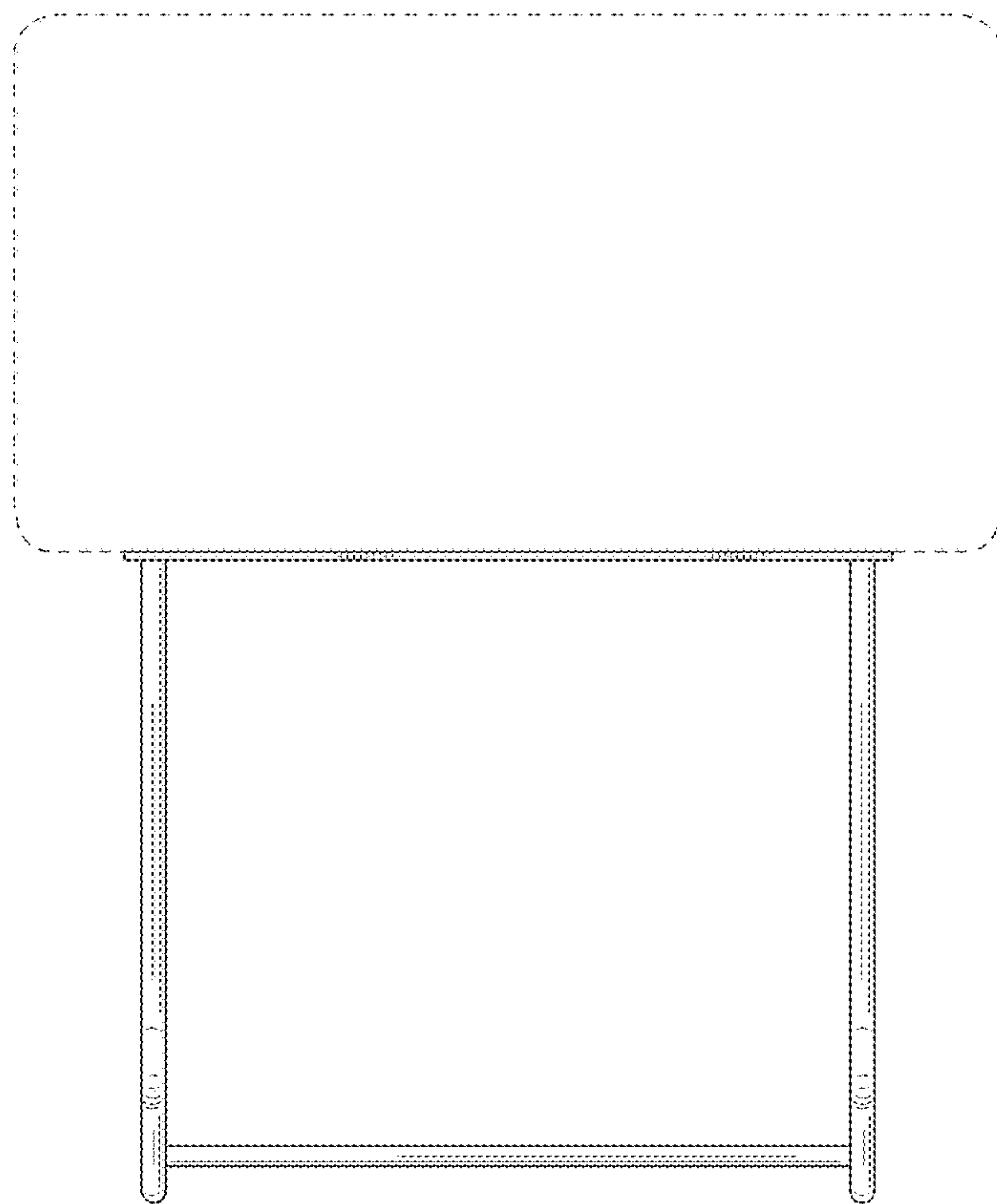


FIG. 8

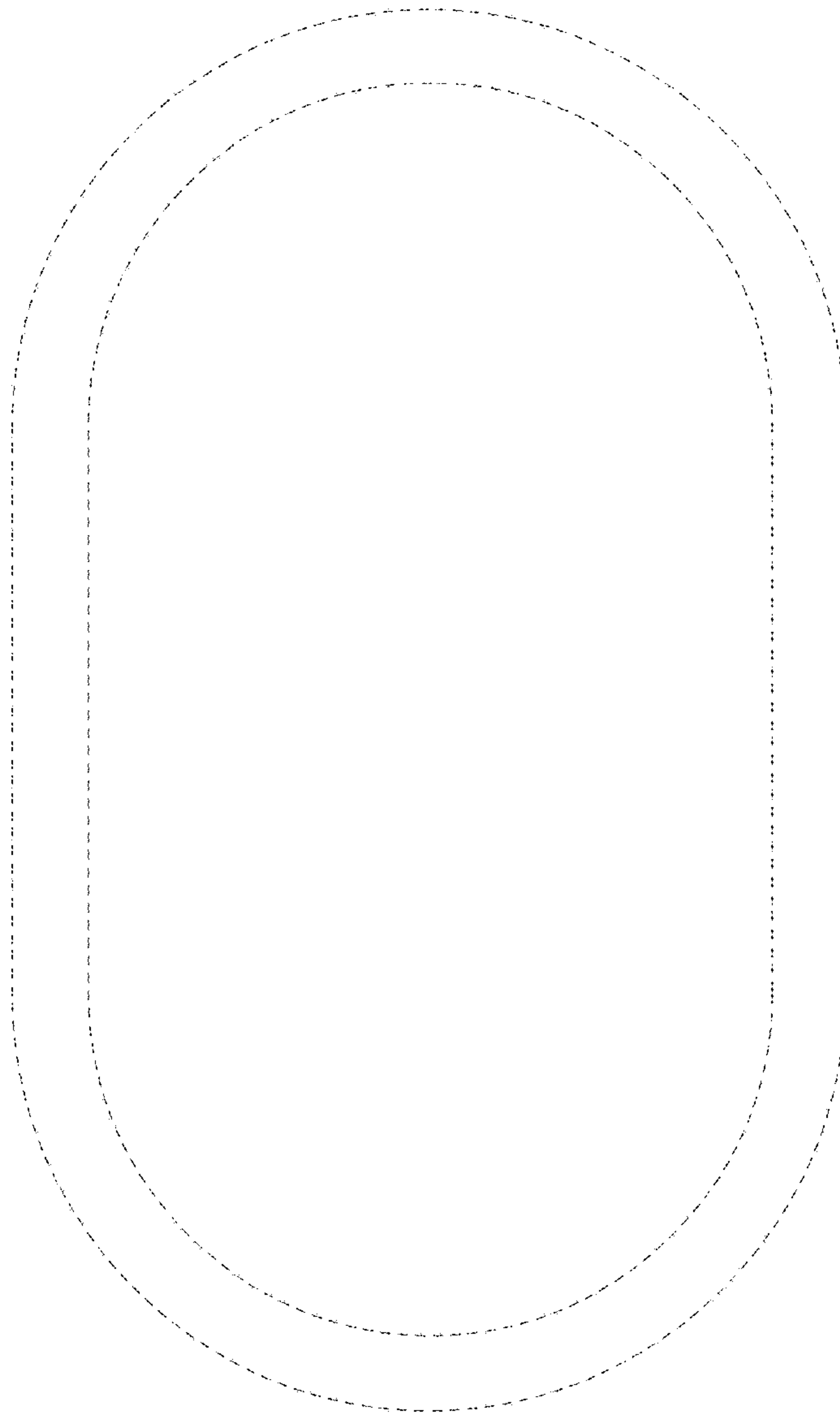


FIG. 9

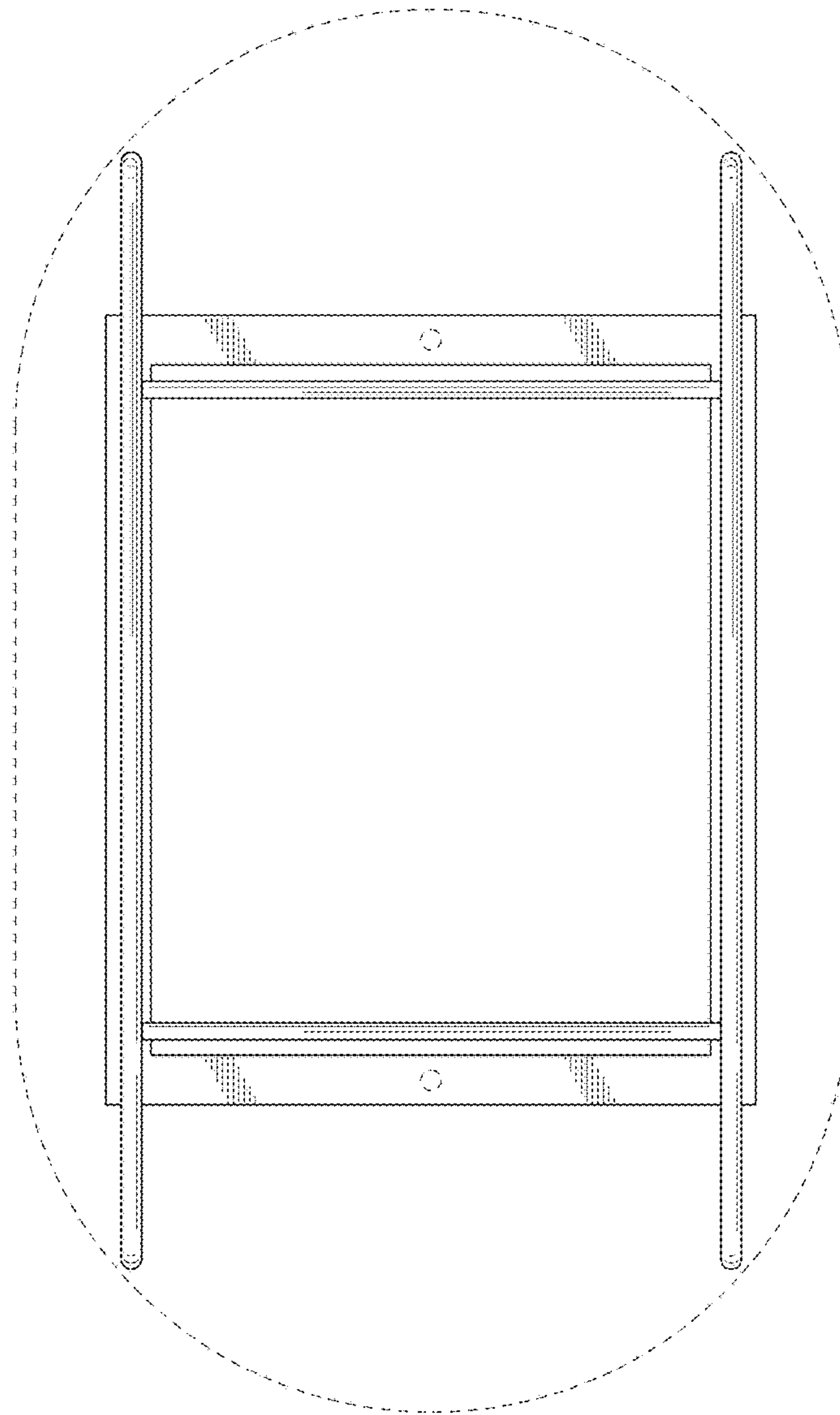


FIG. 10

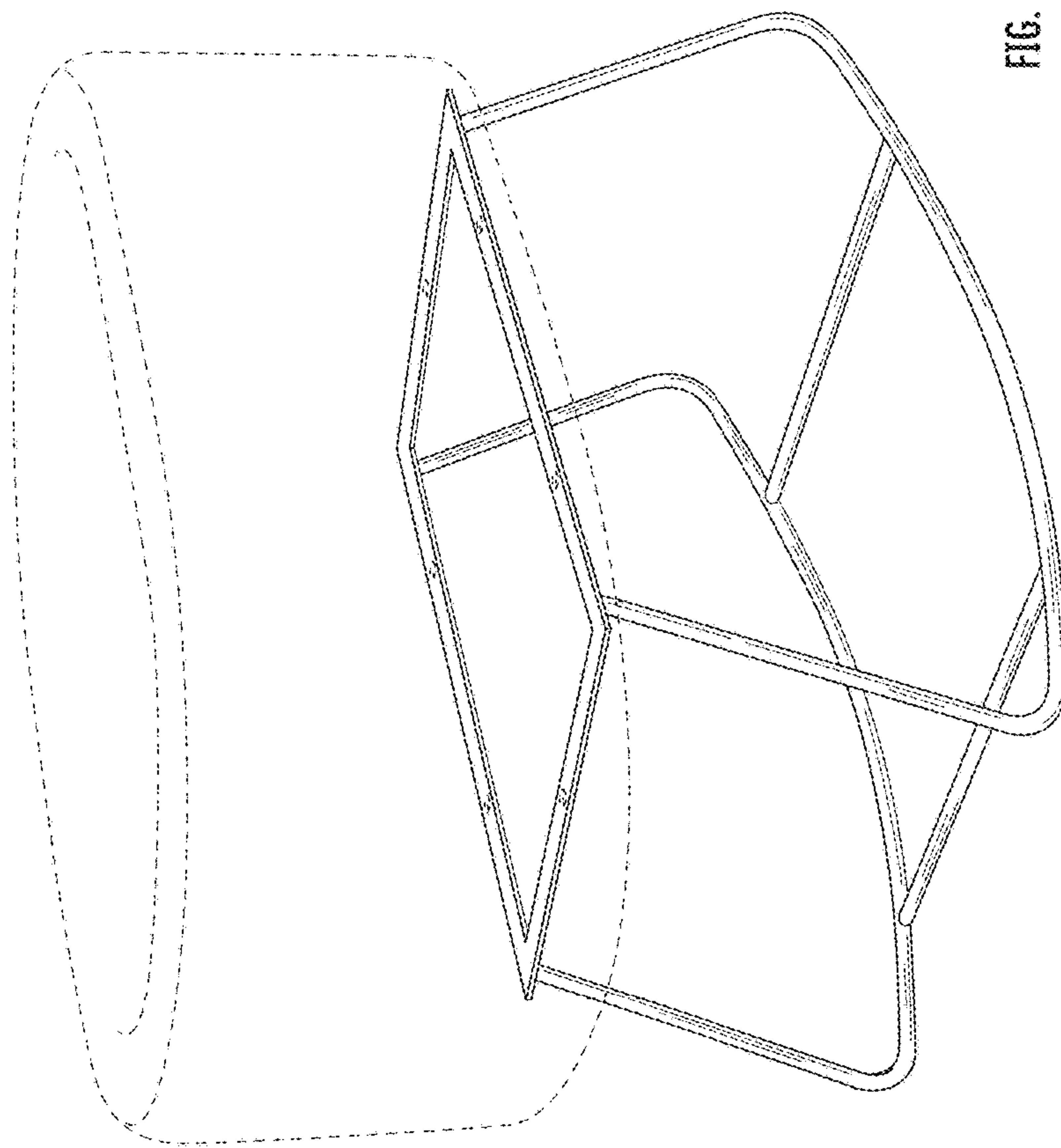


FIG. 11

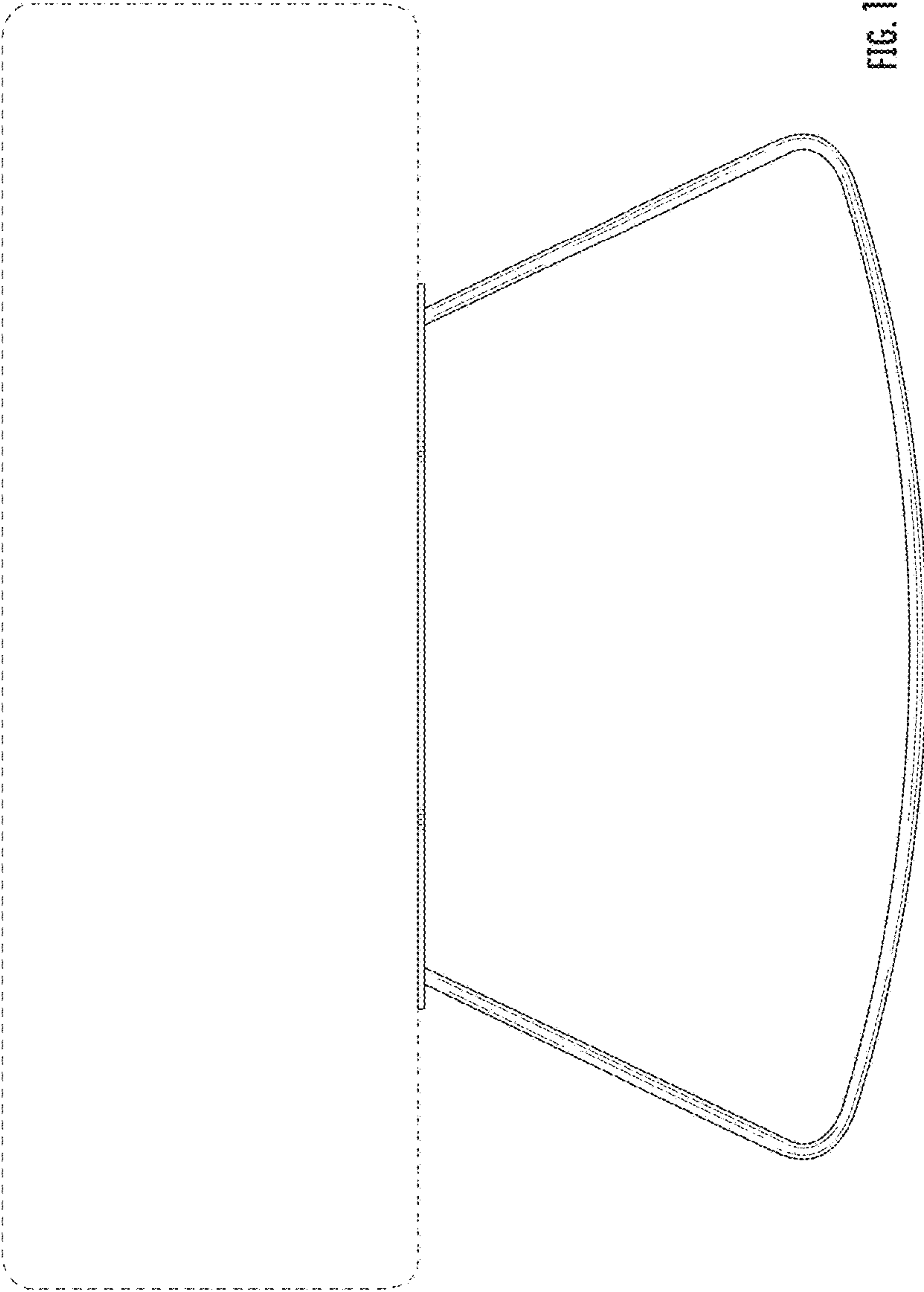


FIG. 12

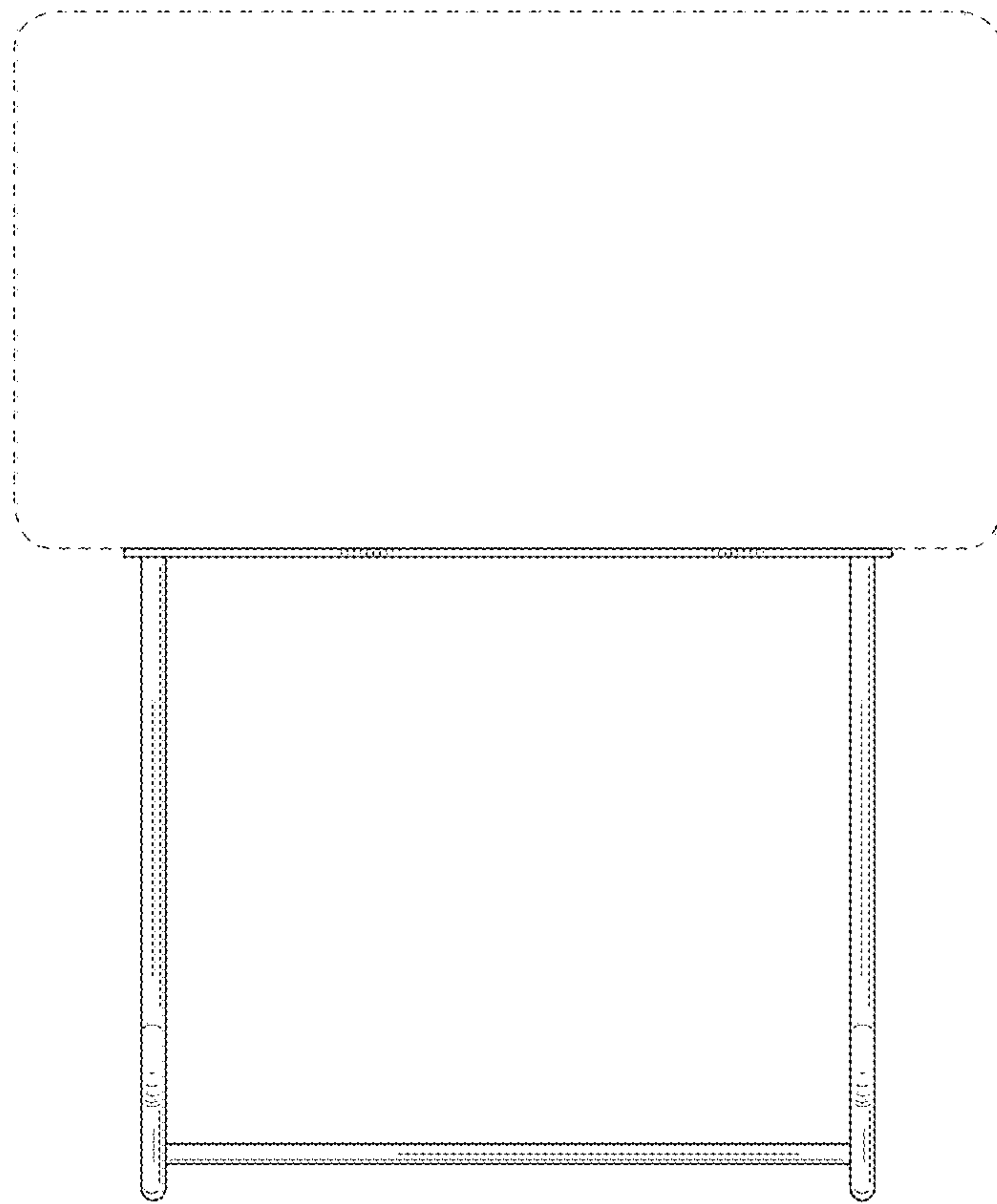


FIG. 13

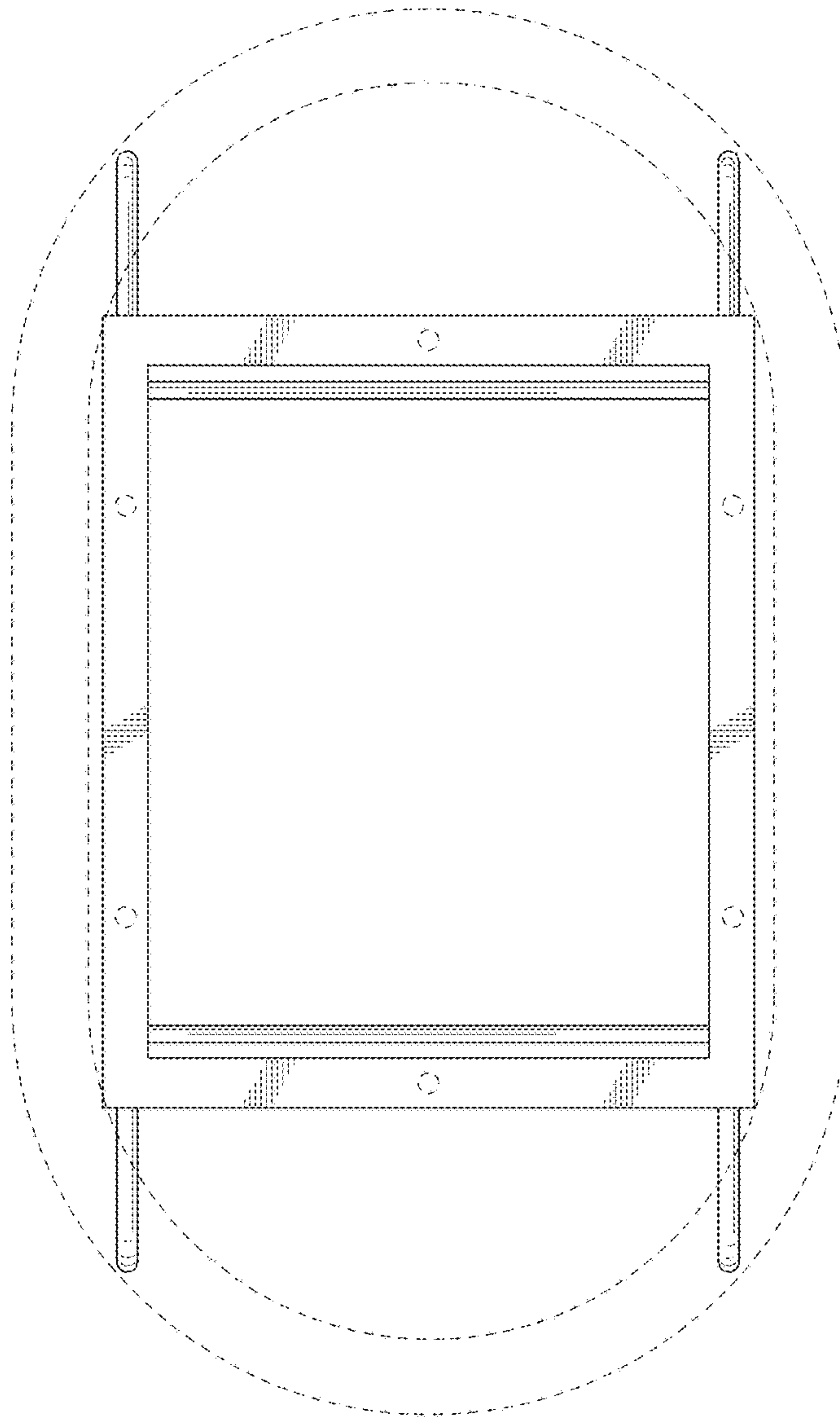


FIG. 14

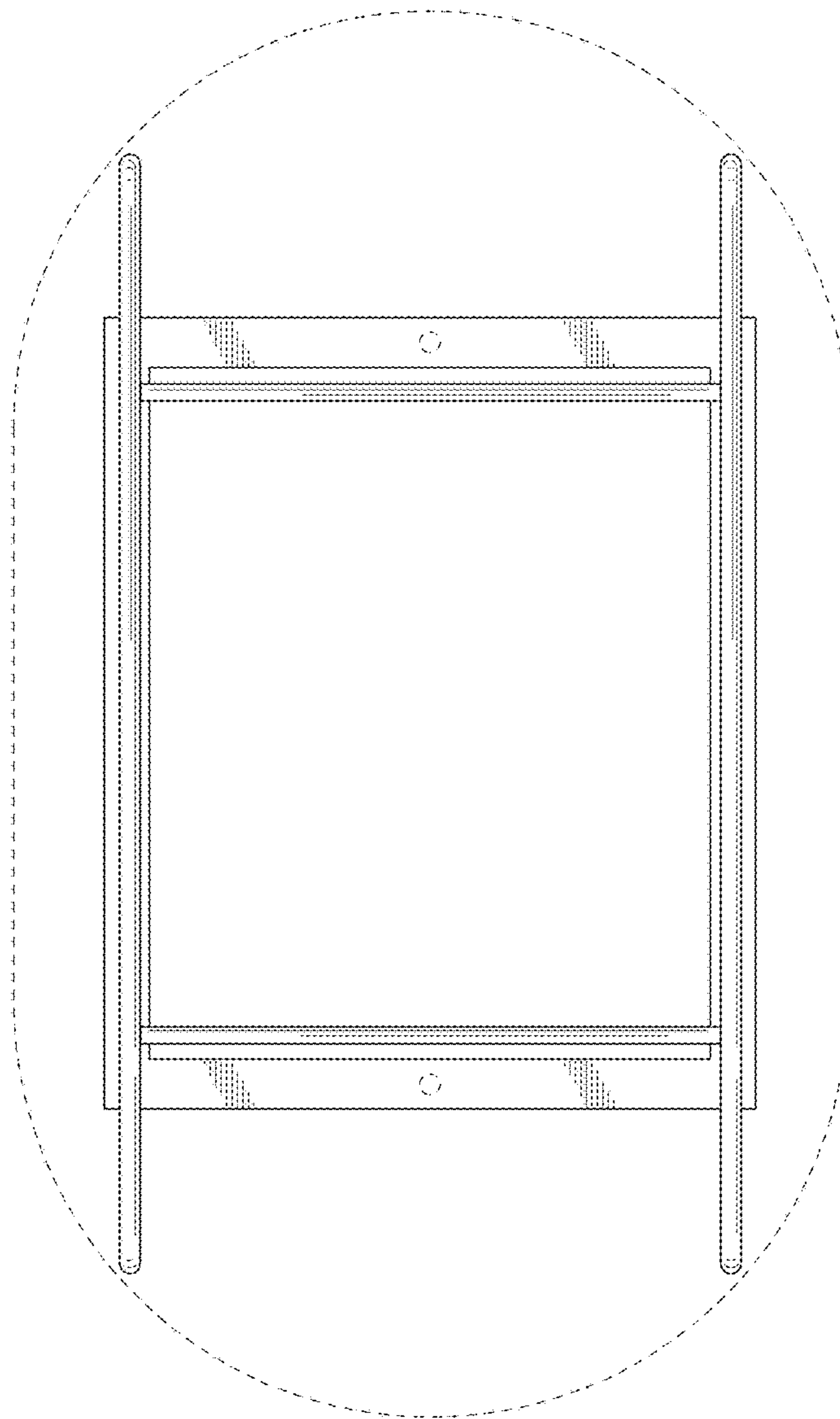


FIG. 15