



US00D848192S

(12) **United States Design Patent**
Koerth

(10) **Patent No.:** **US D848,192 S**

(45) **Date of Patent:** **** May 14, 2019**

(54) **STAND FOR SUPPORTING A TEE**

(71) Applicant: **LACKS HOME PRODUCTS,**
Kentwood, MI (US)

(72) Inventor: **Aaron Koerth,** Hudsonville, MI (US)

(73) Assignee: **Lacks Home Products,** Kentwood, MI
(US)

(**) Term: **15 Years**

(21) Appl. No.: **29/613,635**

(22) Filed: **Aug. 11, 2017**

(51) **LOC (11) Cl.** **06-06**

(52) **U.S. Cl.**
USPC **D6/708**

(58) **Field of Classification Search**
USPC D6/328, 644, 649, 655, 671, 672, 673,
D6/674, 675, 675.2, 682, 682.1, 686, 687,
D6/688.26, 688.27, 691, 691.1, 691.3,
D6/691.4, 691.6, 691.8, 691.9, 693, 694,
D6/695, 695.1, 696, 696.1, 696.3, 697,
D6/702, 707.15, 707.19, 707.22, 707.23,
D6/707.56, 708, 708.17, 709, 710;
D9/457

CPC A47F 7/00; A47F 7/19; A47F 7/22; A47F
5/0081; A47F 5/0087; B65D 85/182

See application file for complete search history.

(56) **References Cited**

U.S. PATENT DOCUMENTS

D418,056 S	*	12/1999	Johnson	D9/431
D467,128 S	*	12/2002	Thonis	D7/602
D513,979 S	*	1/2006	Snedden	D9/418
D544,790 S	*	6/2007	Bouveret	D9/424
D593,369 S	*	6/2009	Green	D7/602
D632,170 S	*	2/2011	Lawrence	D9/425
D640,548 S	*	6/2011	Lawrence	D9/430

D641,258 S	*	7/2011	Wilson	D9/418
D653,536 S	*	2/2012	Gartz	D9/425
D688,941 S	*	9/2013	Sifuentes	D7/602
D690,198 S	*	9/2013	Haracourt	D7/602
D743,783 S	*	11/2015	Ambelang	D9/425
D780,573 S	*	3/2017	Son	D9/425

OTHER PUBLICATIONS

Kupinatao, posted at img.alicdn.com, posted on Mar. 2, 2017, site visited Sep. 10, 2018. online, available from internet: https://img.alicdn.com/bao/uploaded/i4/TB1kqG3HVXXXaAXFXXXXXXXXXX_%21%210-item_pic.jpg_310x310.jpg.*

* cited by examiner

Primary Examiner — Mary Ann Calabrese

Assistant Examiner — Catherine Ho

(74) *Attorney, Agent, or Firm* — John S. Artz; Dickinson Wright PLLC

(57) **CLAIM**

The ornamental design for a stand for supporting a tee, as shown and described.

DESCRIPTION

FIG. 1 is a perspective view of a stand for supporting a tee shown in an environment of use, showing my new design; FIG. 2 is a perspective view of a stand for supporting a tee; FIG. 3 is a front view thereof; FIG. 4 is a left side view thereof; FIG. 5 is a right side view thereof; FIG. 6 is a back view thereof; FIG. 7 is a top view thereof; and, FIG. 8 is a bottom view thereof.

The broken lines in the figures represent environment only and form no part of the claimed design.

1 Claim, 7 Drawing Sheets

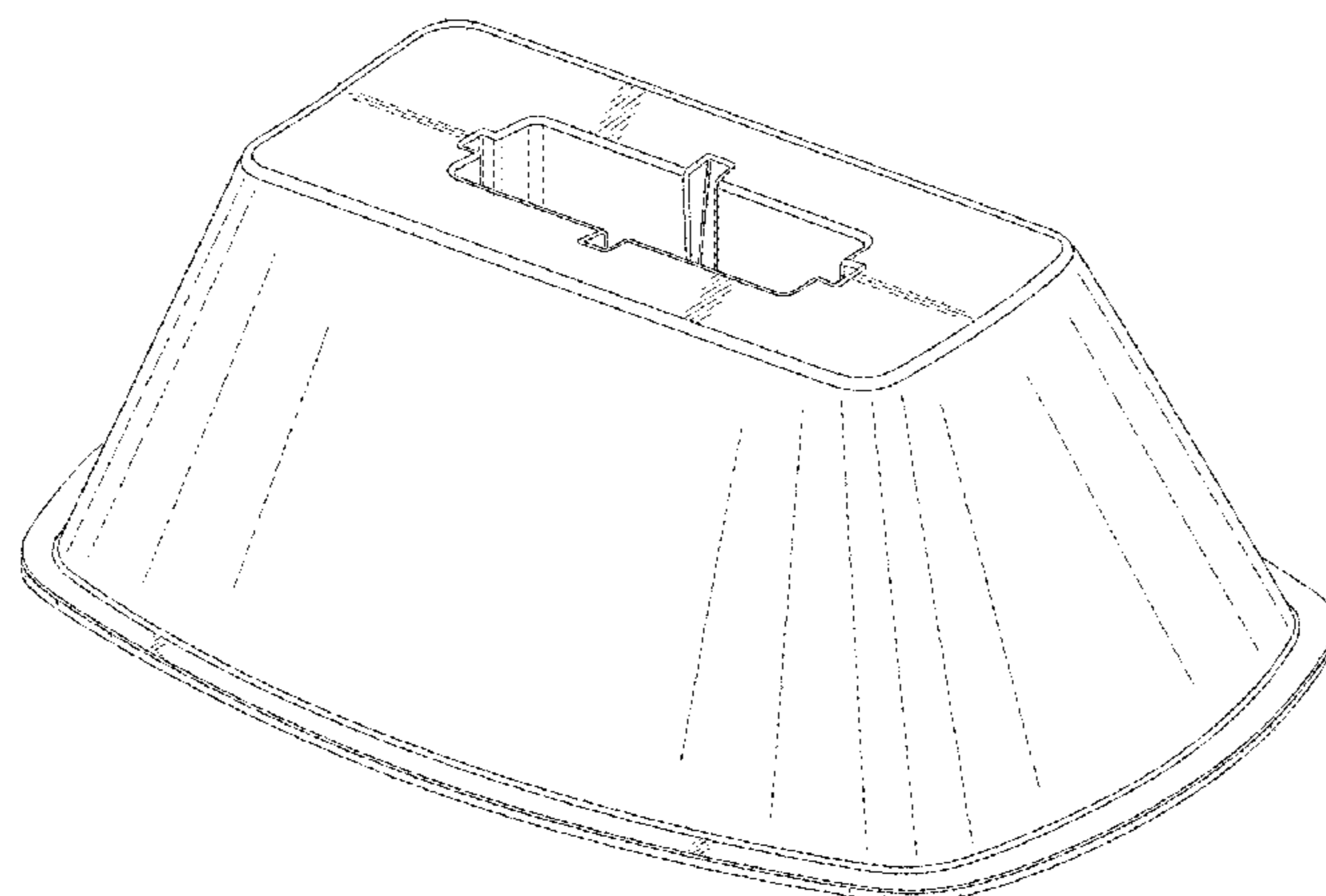
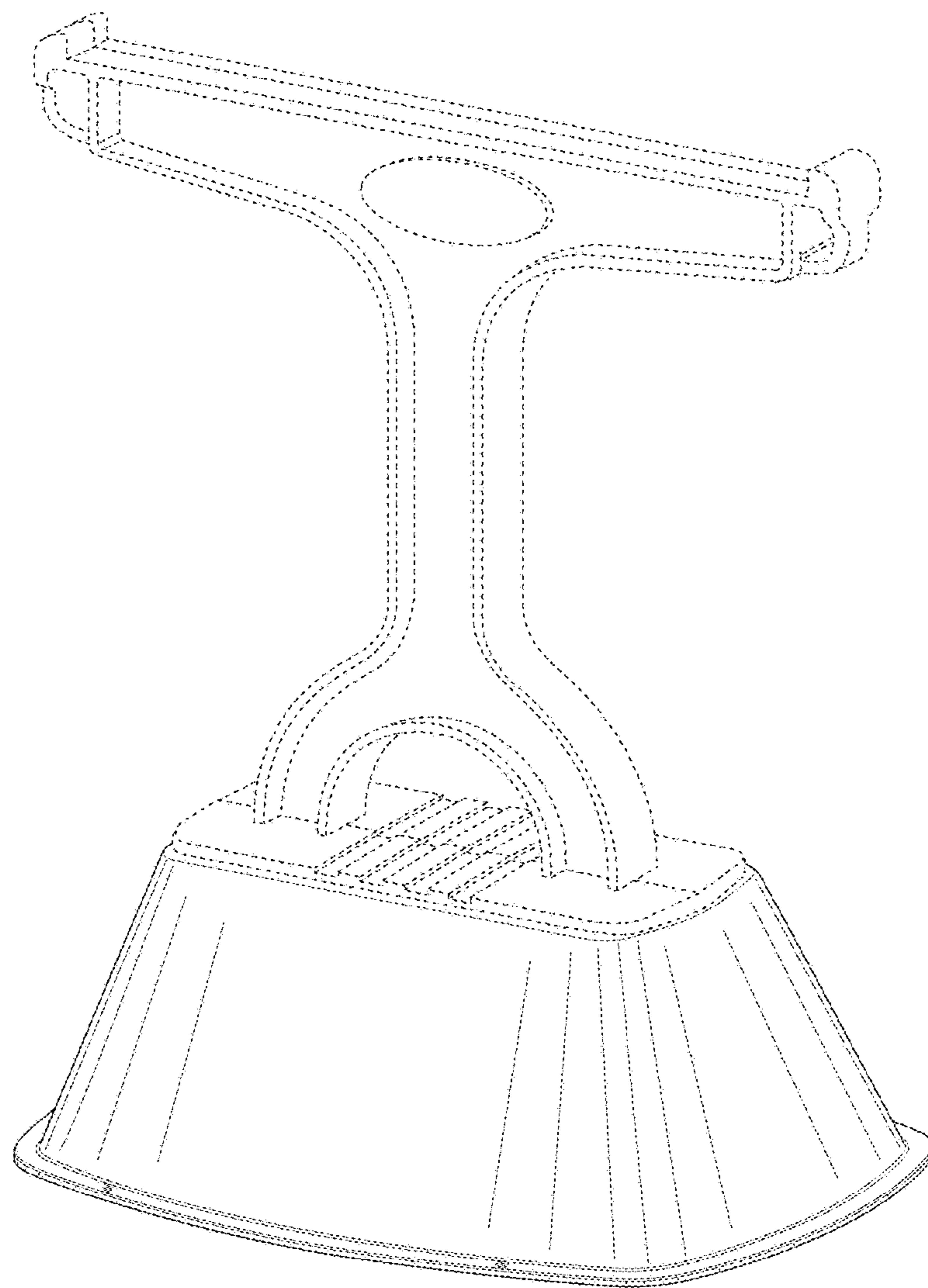


FIG. 1



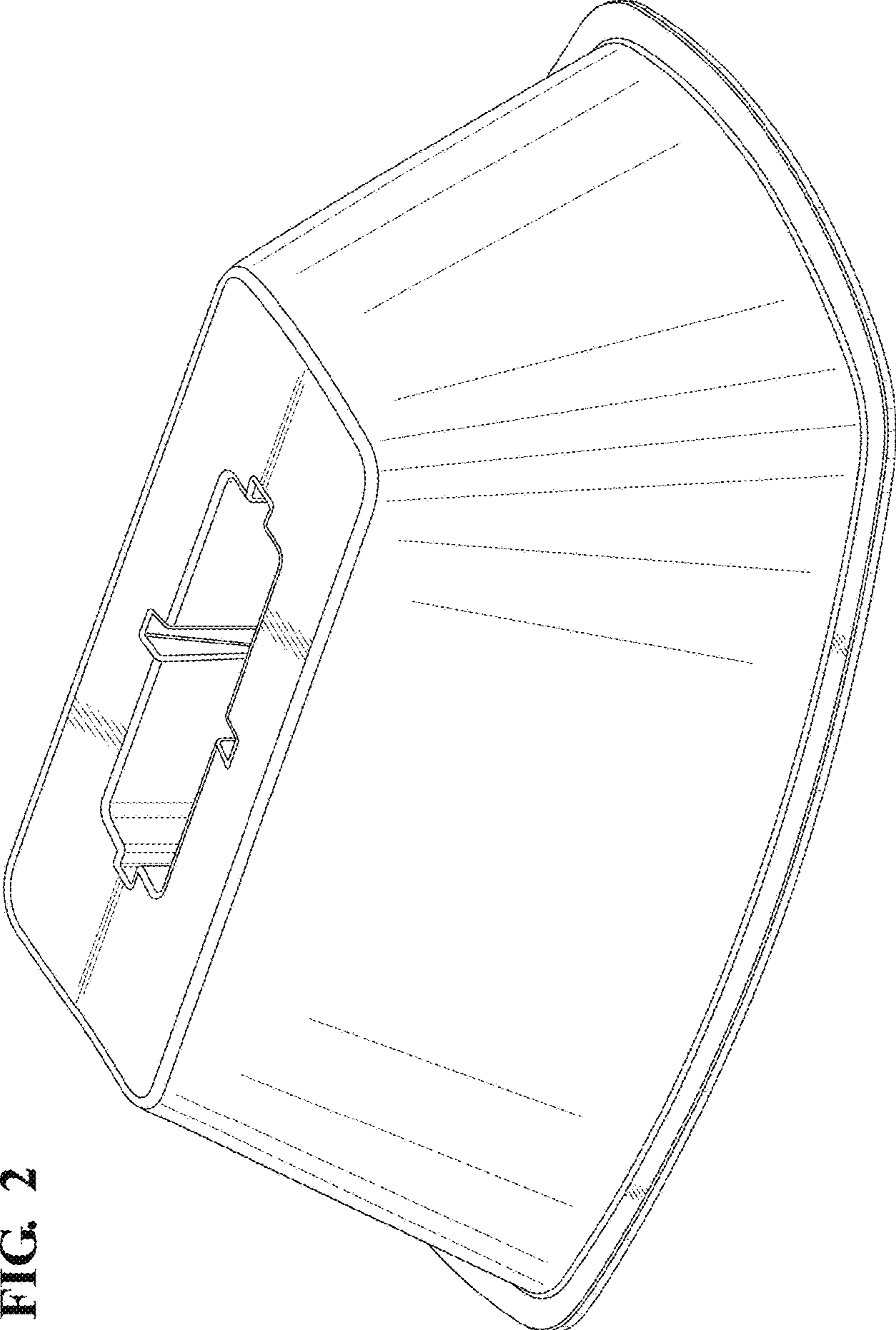


FIG. 2

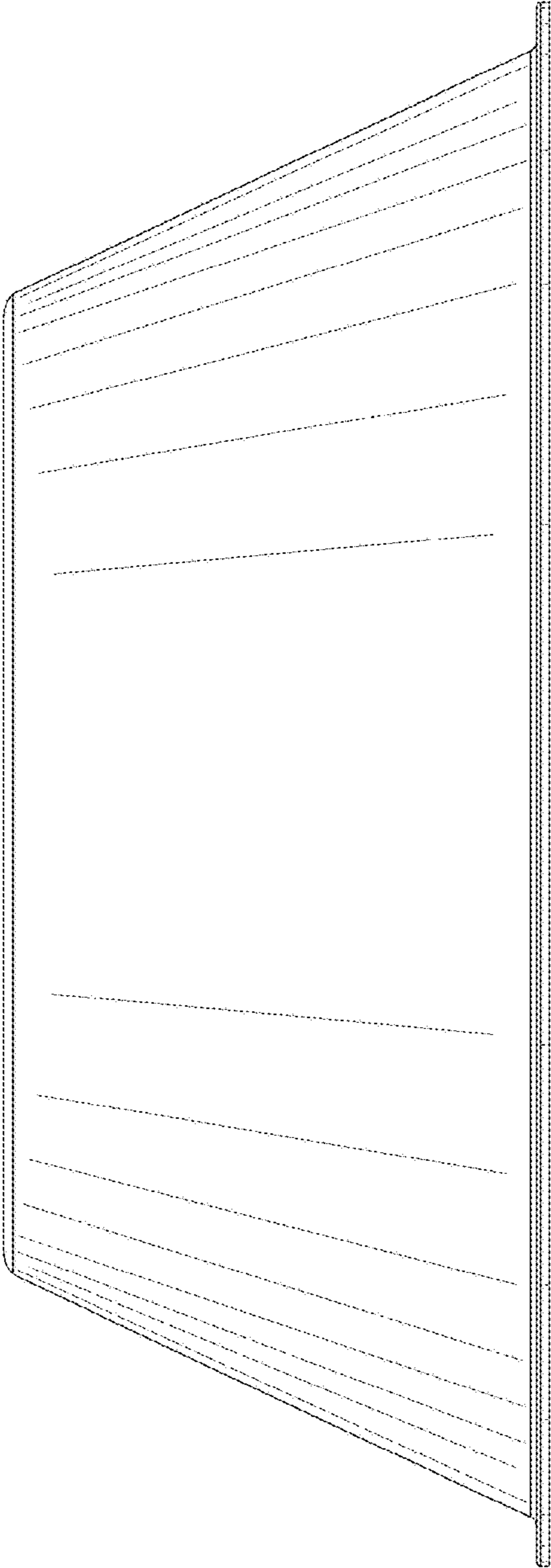


FIG. 3

FIG. 4

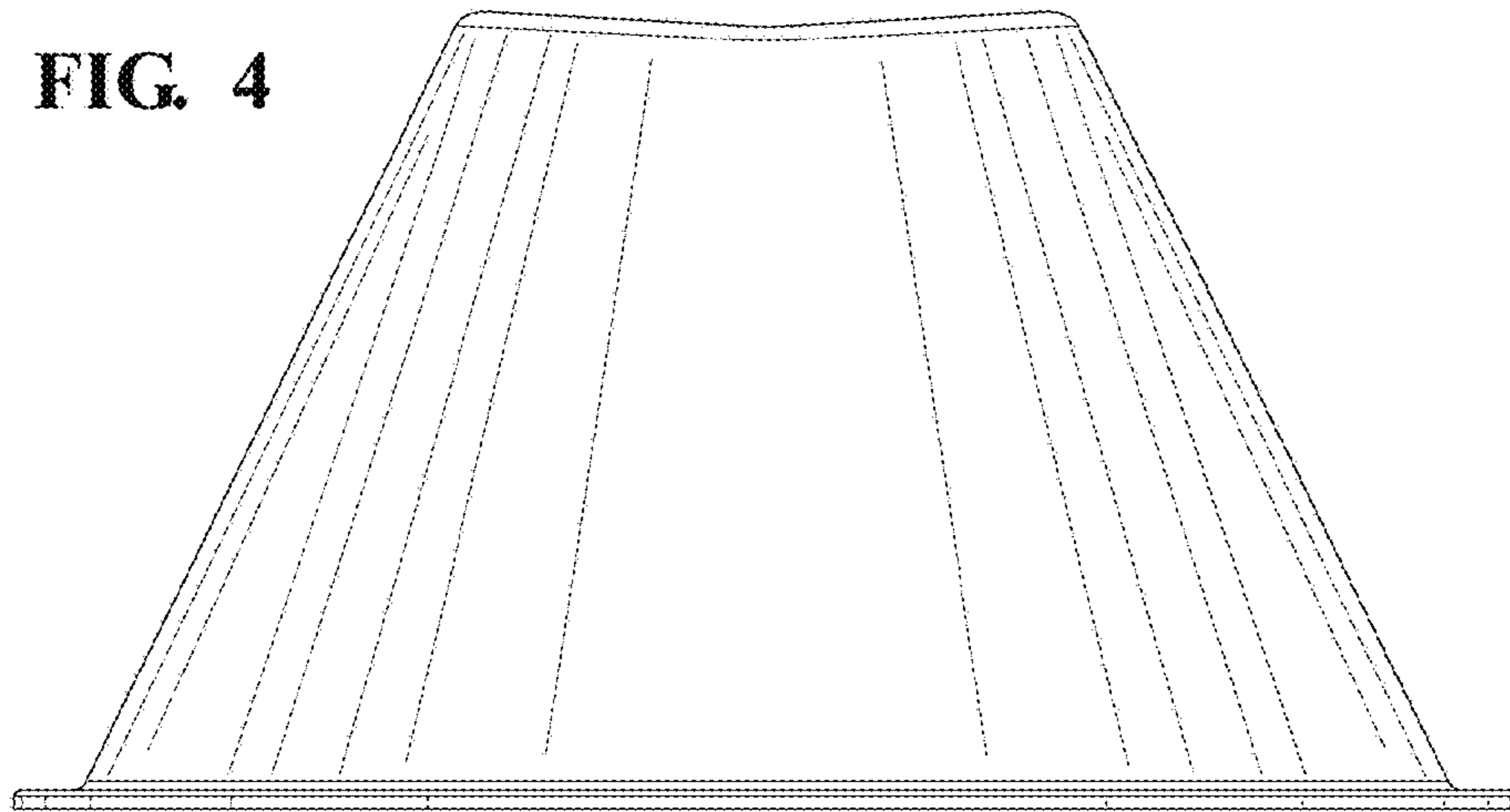
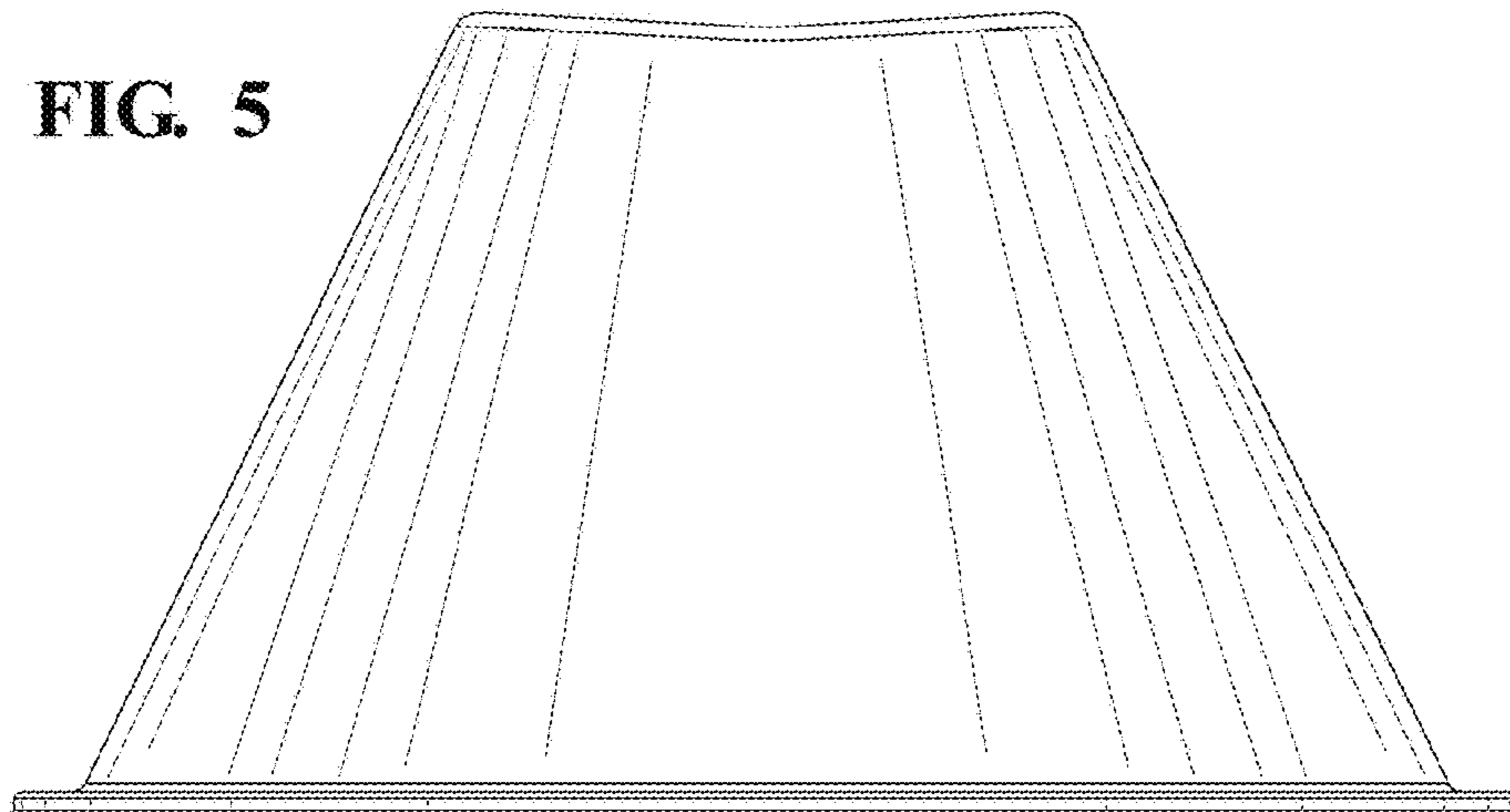


FIG. 5



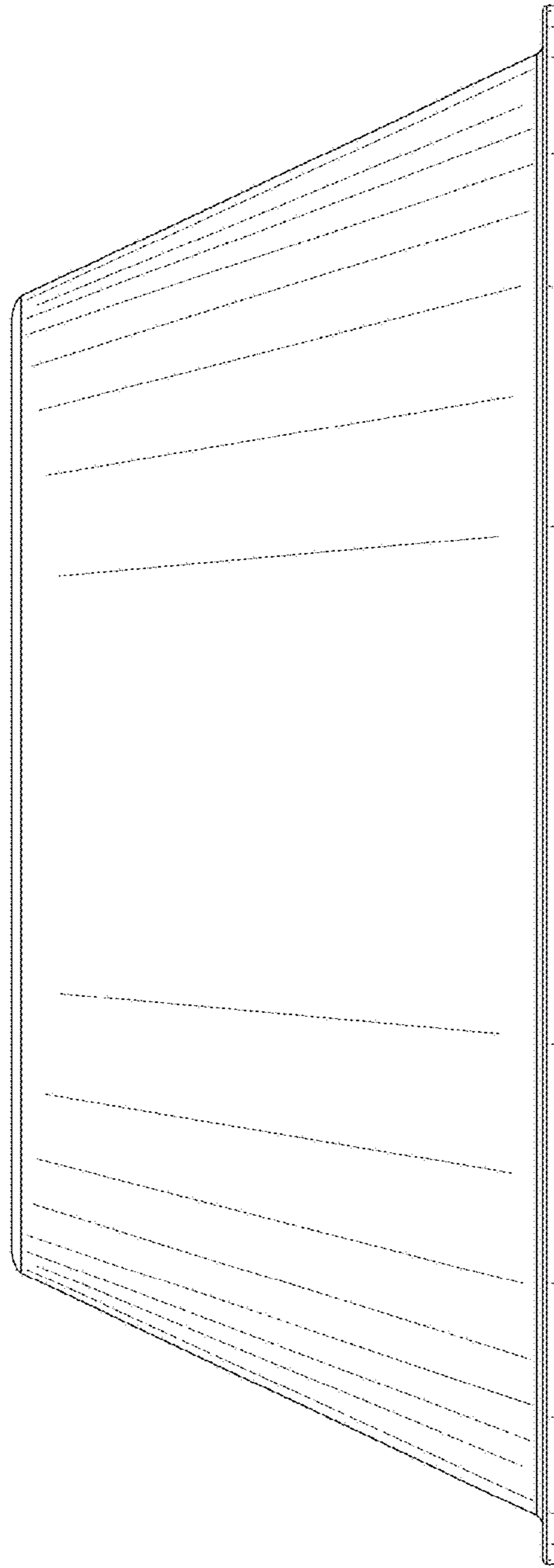


FIG. 6

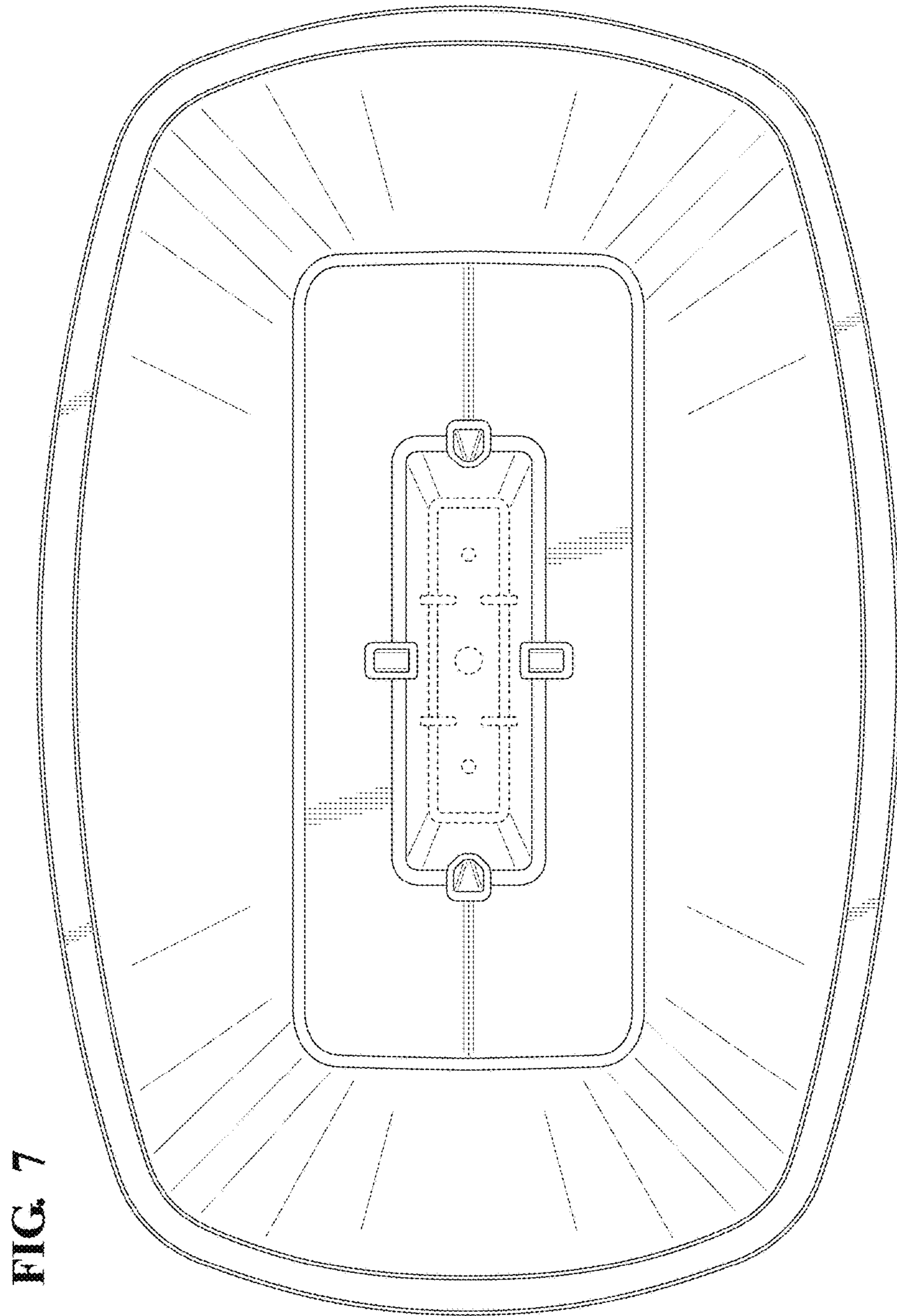


FIG. 7

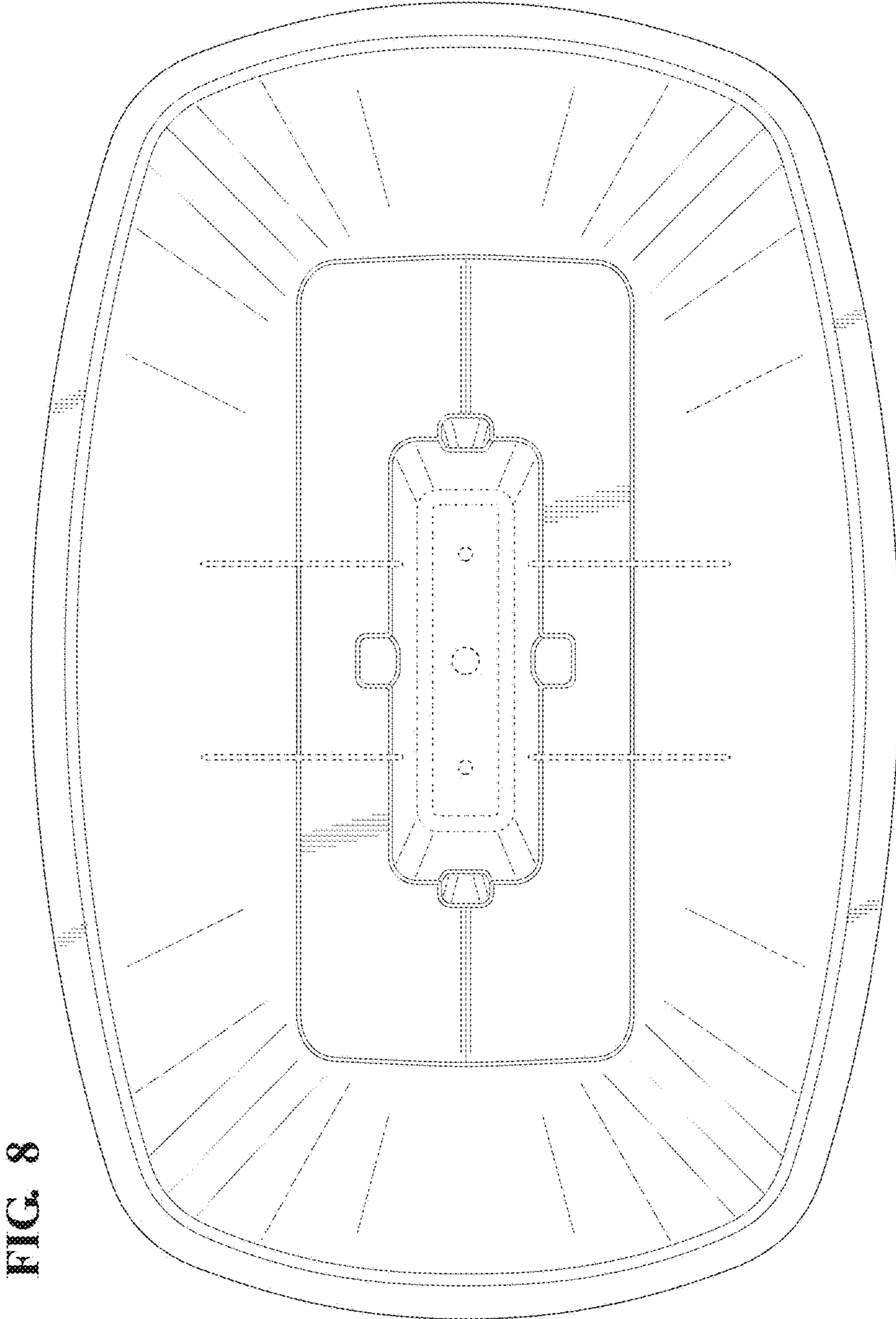


FIG. 8