



US00D848182S

(12) **United States Design Patent**  
**Gan et al.**

(10) **Patent No.:** **US D848,182 S**

(45) **Date of Patent:** **\*\* May 14, 2019**

(54) **THREE-DIMENSIONAL STRUCTURE**

(71) Applicant: **Comicave Studios Pte Ltd**, Singapore (SG)

(72) Inventors: **Yeung-Ee Gan**, Singapore (SG);  
**ZhongYong Guo**, Singapore (SG);  
**Zheng Ning Goh**, Singapore (SG);  
**Ka-Wei Wong**, Singapore (SG)

(73) Assignee: **Comicave Studios Pte Ltd**, Singapore (SG)

(\*\*) Term: **15 Years**

(21) Appl. No.: **29/575,962**

(22) Filed: **Aug. 30, 2016**

(51) **LOC (11) Cl.** ..... **06-04**

(52) **U.S. Cl.**  
USPC ..... **D6/659**

(58) **Field of Classification Search**  
USPC ..... D6/657, 659, 660, 661, 663  
CPC .. A47F 3/00; A47F 3/005; A47F 3/007; A47F  
11/10; A47G 2001/45; A47G 1/14; A47G  
2001/145; G09F 1/12  
See application file for complete search history.

(56) **References Cited**

**U.S. PATENT DOCUMENTS**

670,404 A *	3/1901	Davis	.....	A47F 3/005 312/114
3,561,146 A *	2/1971	Dembar	.....	A47G 1/14 40/661
3,703,045 A *	11/1972	Nyman	.....	A47G 1/14 40/720
3,716,936 A *	2/1973	Miller	.....	A47G 1/14 40/720

(Continued)

*Primary Examiner* — Mimoso De  
(74) *Attorney, Agent, or Firm* — Polsinelli

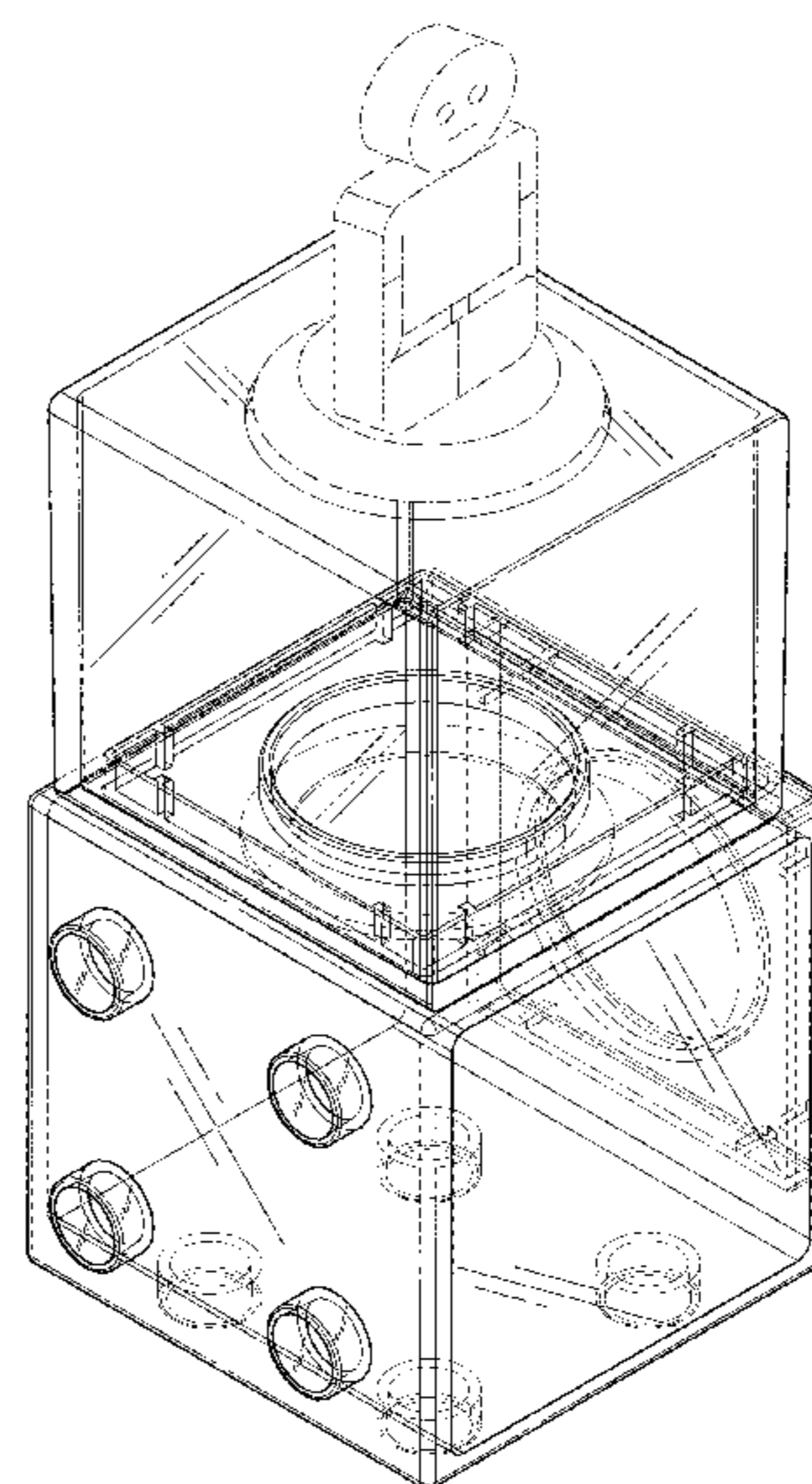
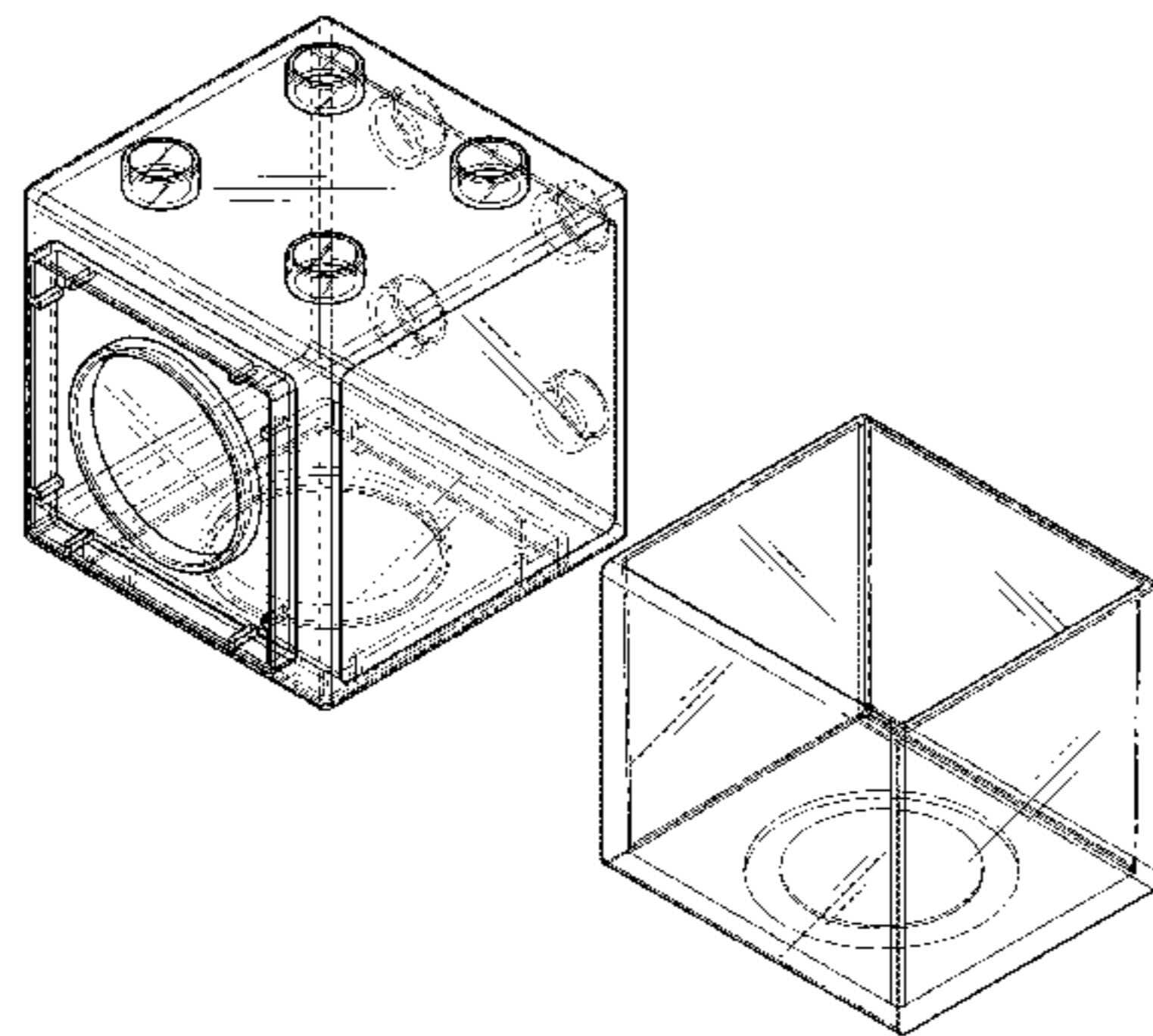
(57) **CLAIM**

We claim the ornamental design for a three-dimensional structure, as shown and described.

**DESCRIPTION**

FIG. 1 is a perspective, exploded view of a three-dimensional structure which includes an exterior structure and an interior structure, showing our new design;  
 FIG. 2 is a perspective view of the exterior structure of the three-dimensional structure;  
 FIG. 3 is a front elevational view of FIG. 2;  
 FIG. 4 is a rear elevational view of FIG. 2;  
 FIG. 5 is a right elevational view of FIG. 2;  
 FIG. 6 is a left elevational view of FIG. 2;  
 FIG. 7 is a top view of FIG. 2;  
 FIG. 8 is a bottom view of FIG. 2;  
 FIG. 9 is a perspective view of the interior structure of the three-dimensional structure;  
 FIG. 10 is a front elevational view of FIG. 9;  
 FIG. 11 is a rear elevational view of FIG. 9;  
 FIG. 12 is a right elevational view of FIG. 9;  
 FIG. 13 is a left elevational view of FIG. 9;  
 FIG. 14 is a top view of FIG. 9;  
 FIG. 15 is a bottom view of FIG. 9;  
 FIG. 16 is a perspective view of the three-dimensional structure in a first configuration;  
 FIG. 17 is a perspective view of the three-dimensional structure in the first configuration with an item inside;  
 FIG. 18 is a perspective view of the three-dimensional structure in a second configuration with an item inside; and,  
 FIG. 19 is a perspective view of the three-dimensional structure in a third configuration.  
 Broken lines are for illustrating an environment related to the claimed design; the broken lines form no part of the claimed design. FIGS. 2-18 are shown in enlarged scales for ease of illustration.

**1 Claim, 19 Drawing Sheets**



(56)

**References Cited**

U.S. PATENT DOCUMENTS

3,774,332 A \* 11/1973 Schneider ..... G09F 1/12  
40/720  
D254,414 S \* 3/1980 Gajewski ..... D6/661  
D351,518 S \* 10/1994 Burgess ..... D6/661  
D426,087 S \* 6/2000 Walls, Jr. .... D6/659  
D430,981 S \* 9/2000 Walls, Jr. .... D6/661  
D446,971 S \* 8/2001 Aguayo, Jr. .... D6/661  
D485,453 S \* 1/2004 Hansen ..... D6/661  
D486,322 S \* 2/2004 Hansen ..... D6/659  
D496,542 S \* 9/2004 Bowling ..... D6/659  
D508,799 S \* 8/2005 Von der Burg ..... D6/661  
7,134,735 B2 \* 11/2006 Cummings ..... A47F 3/002  
312/114  
D558,486 S \* 1/2008 Hoang ..... D6/661  
D697,740 S \* 1/2014 Clayborn ..... D6/659  
D700,462 S \* 3/2014 Boos ..... D6/661  
9,480,345 B2 \* 11/2016 Lee ..... A47F 11/10

\* cited by examiner

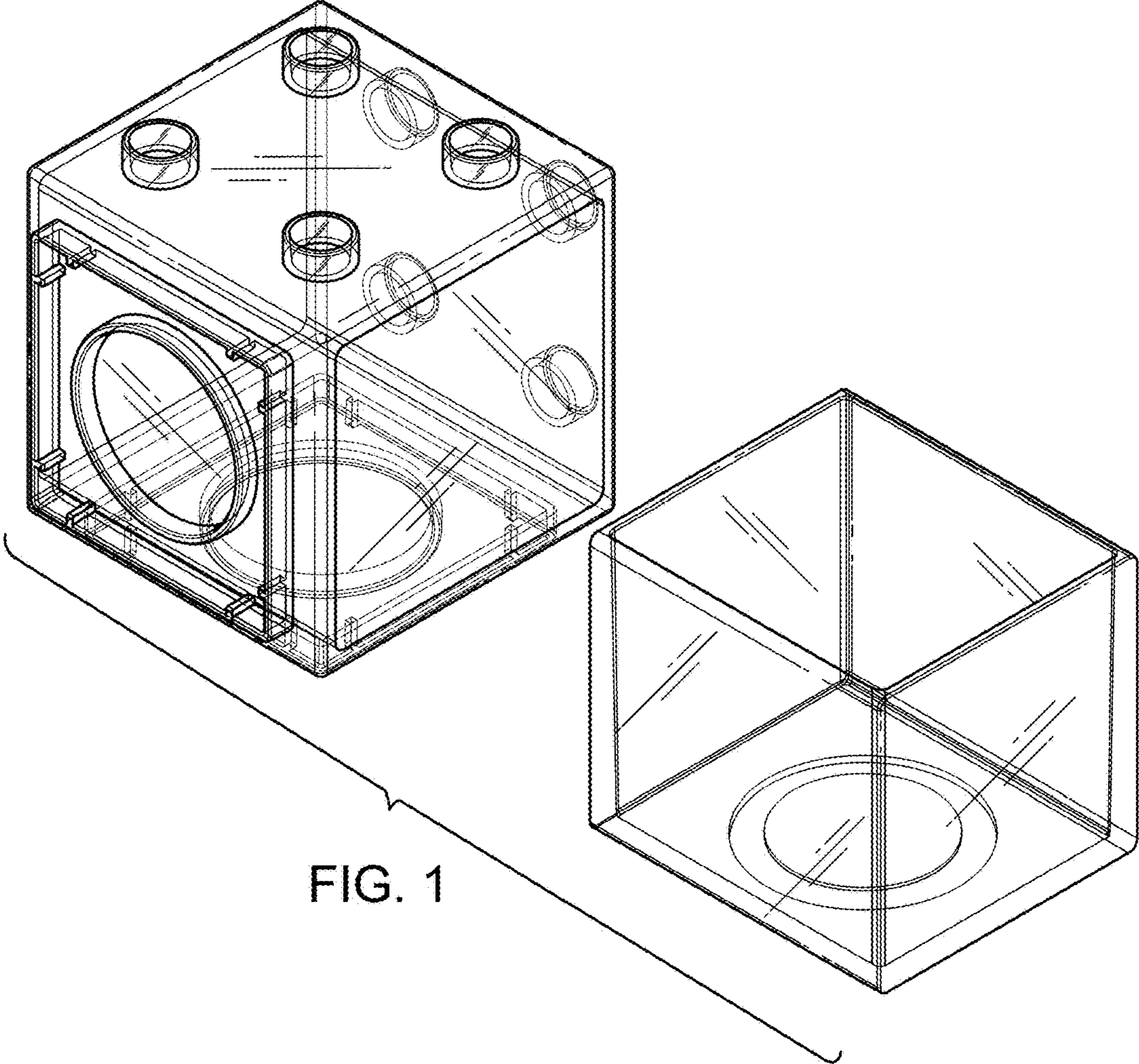


FIG. 1



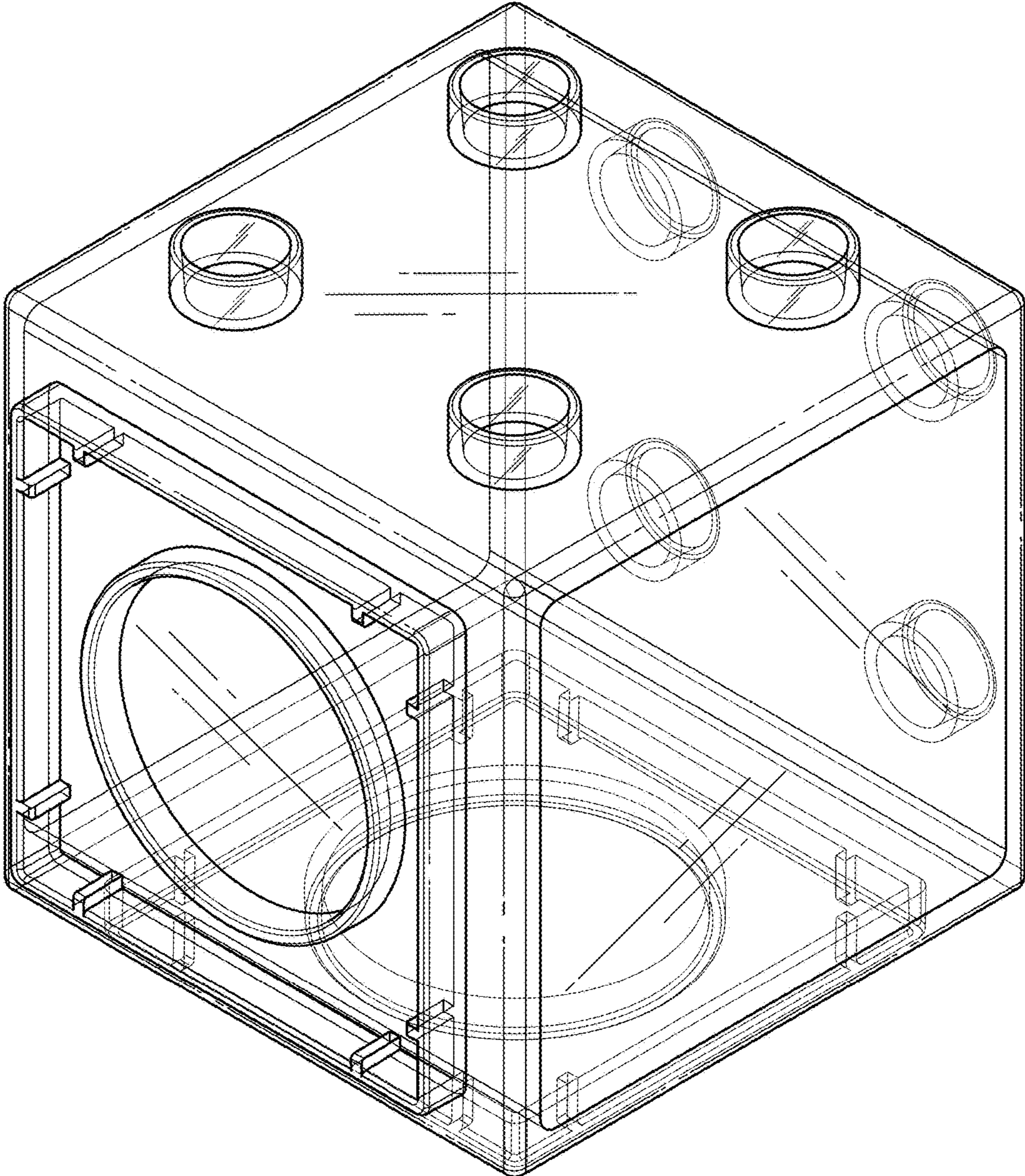


FIG. 2

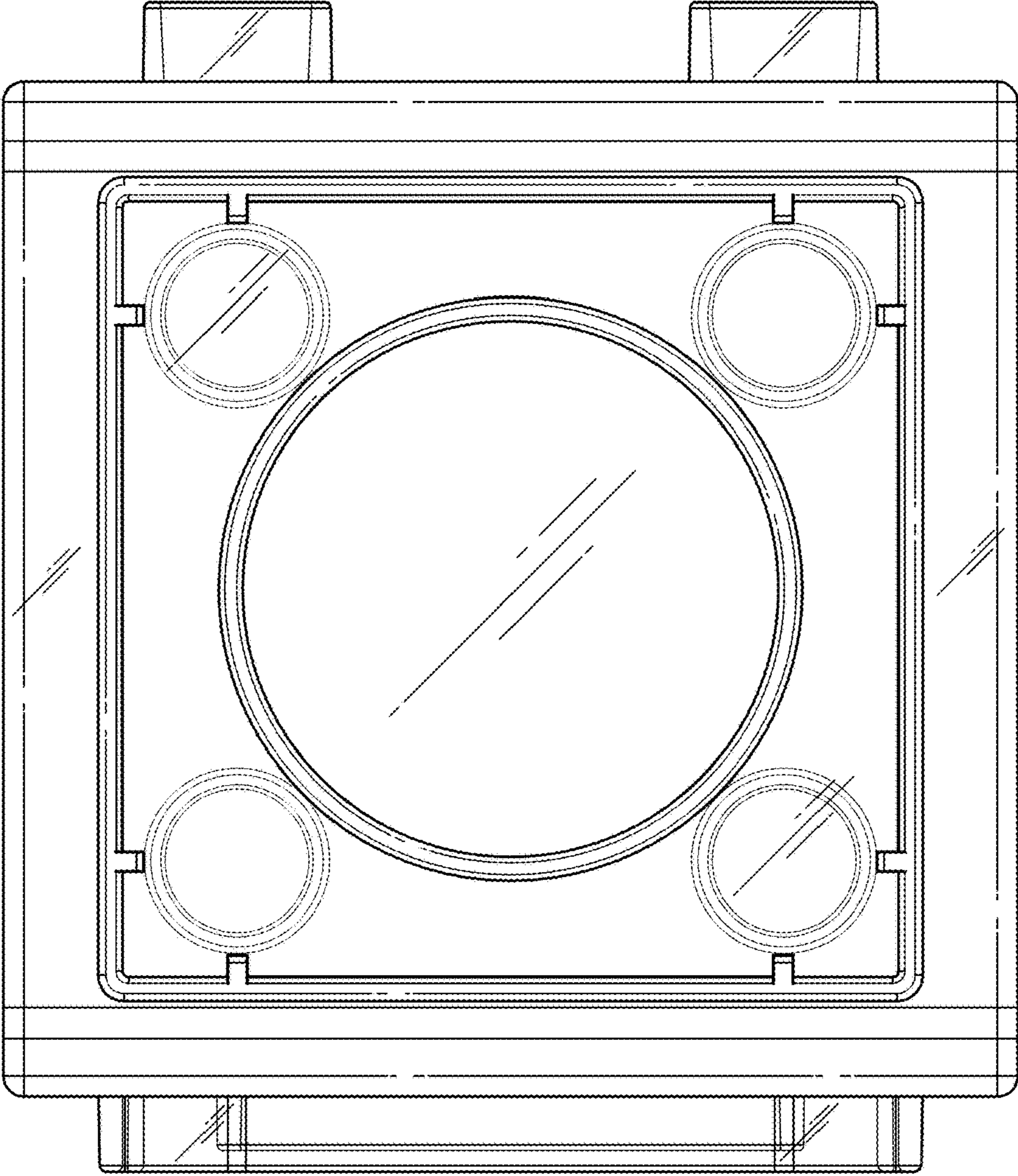


FIG. 3

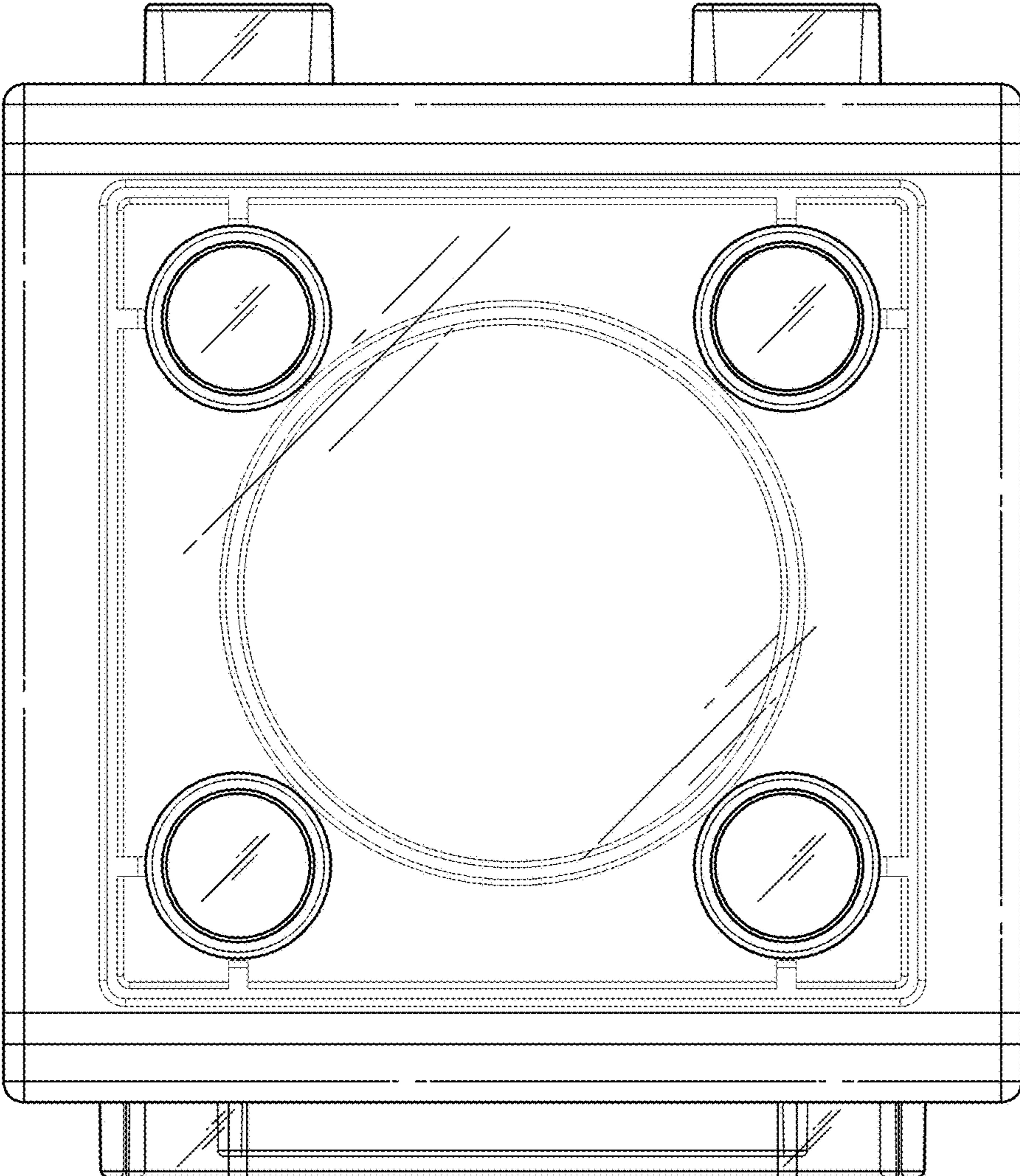


FIG. 4



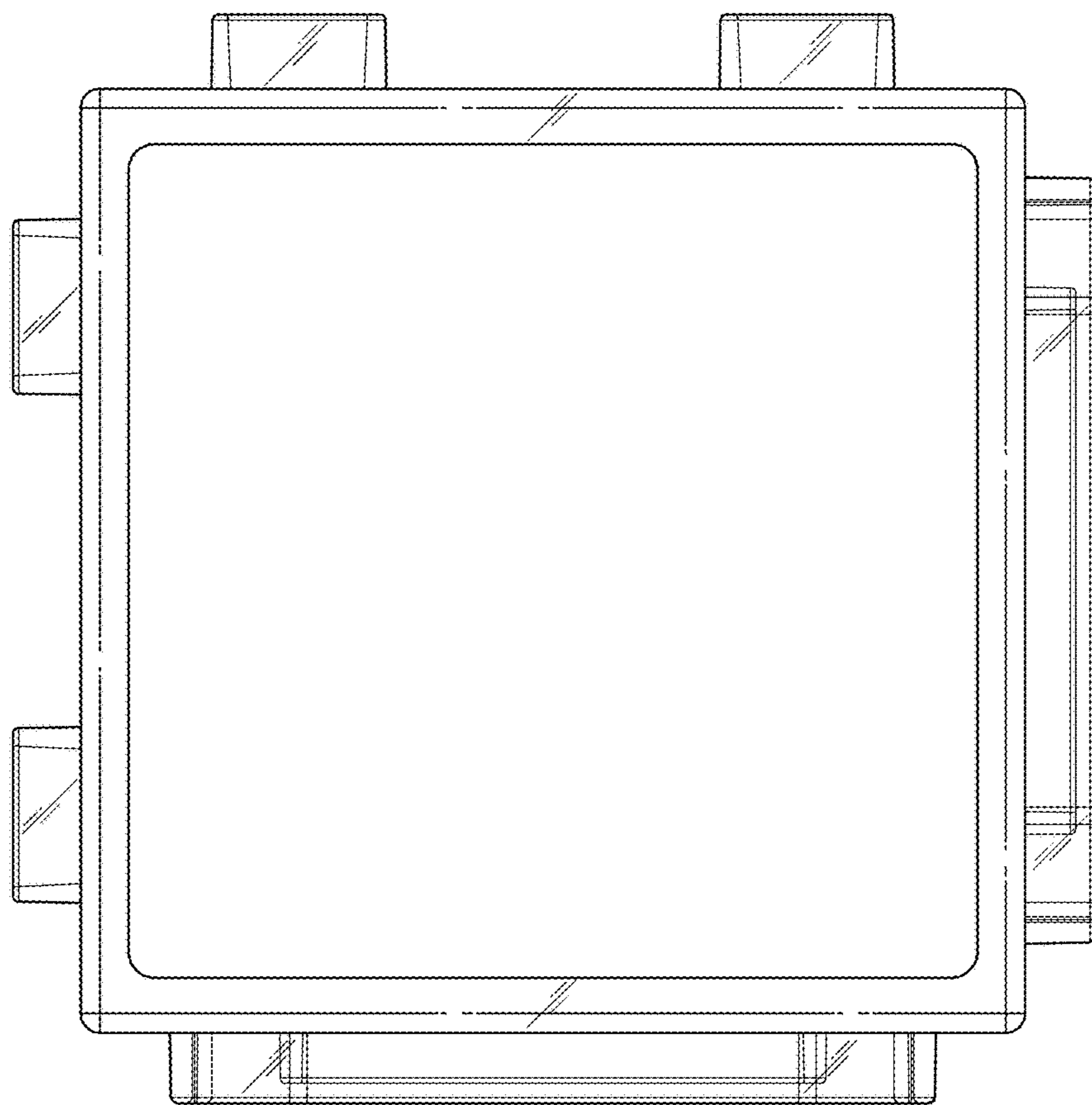


FIG. 5

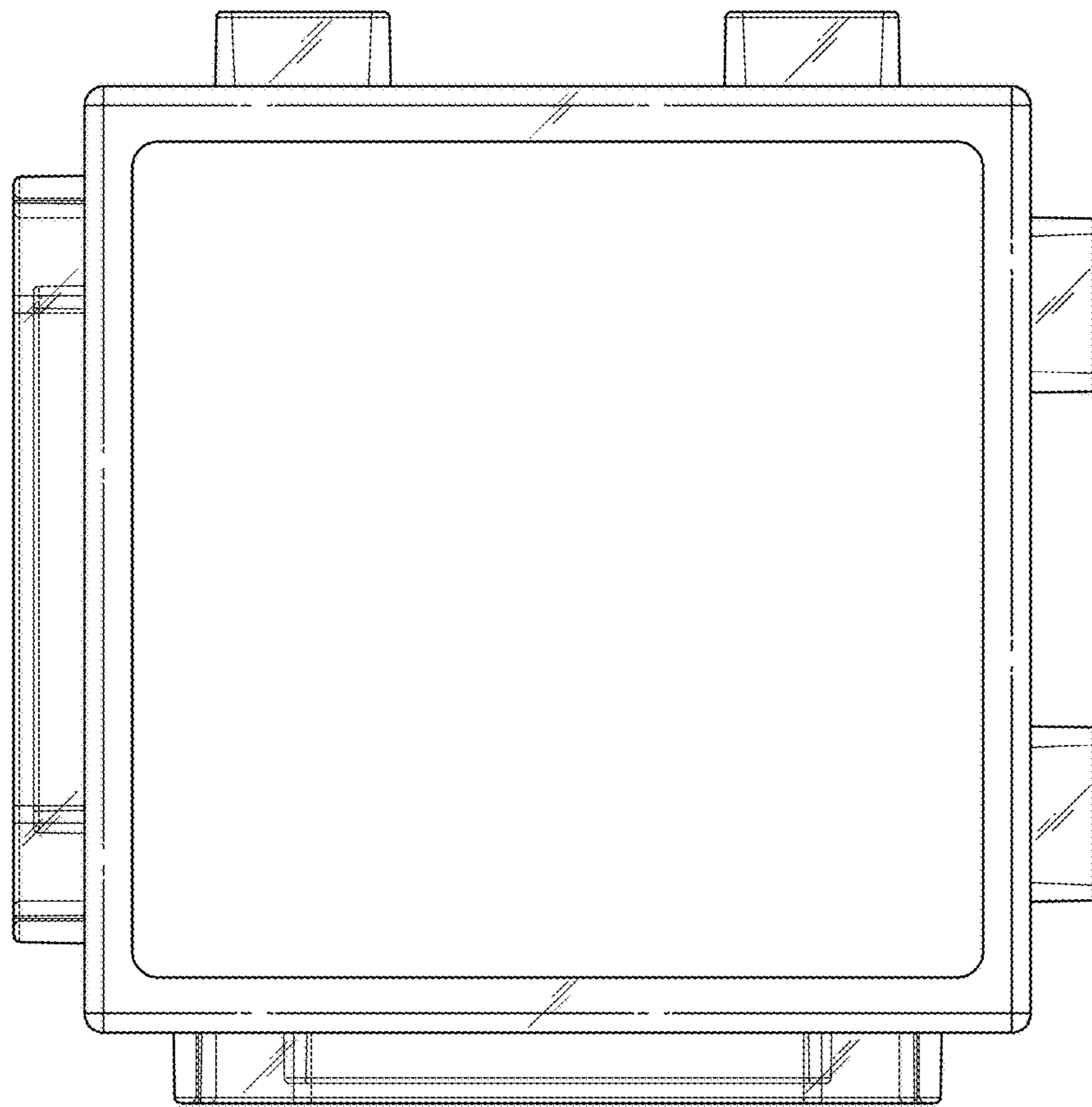


FIG. 6



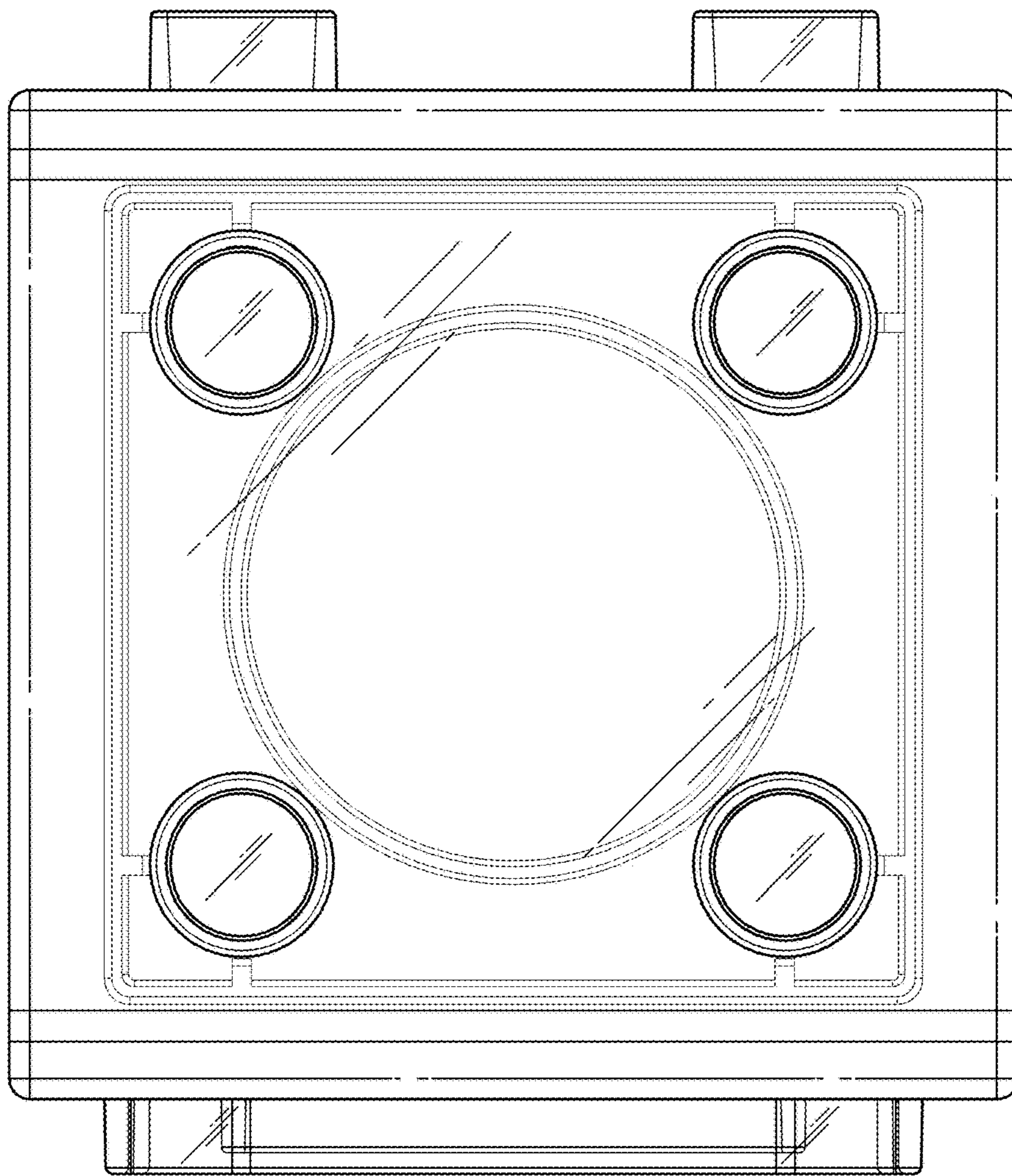


FIG. 7

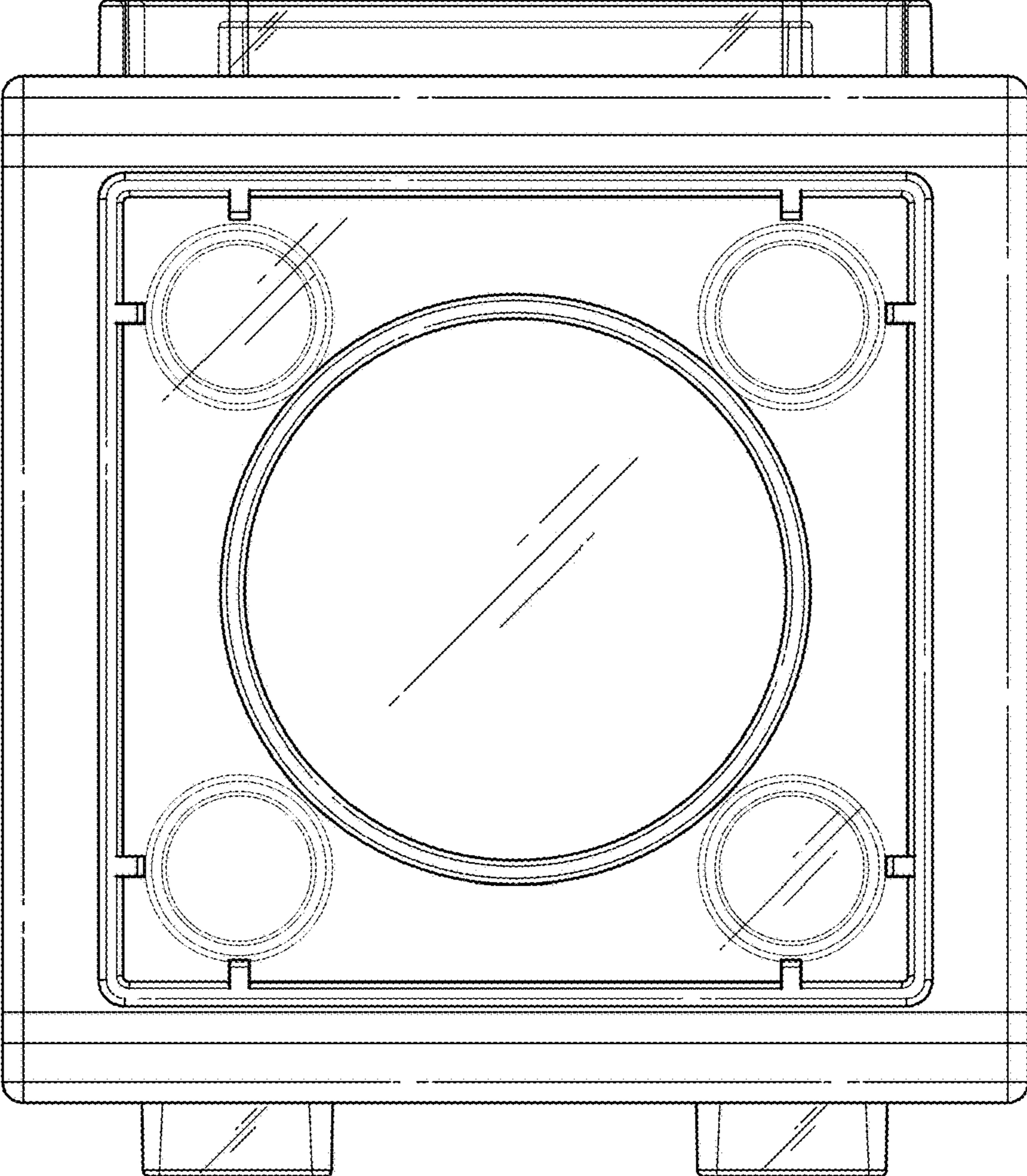


FIG. 8

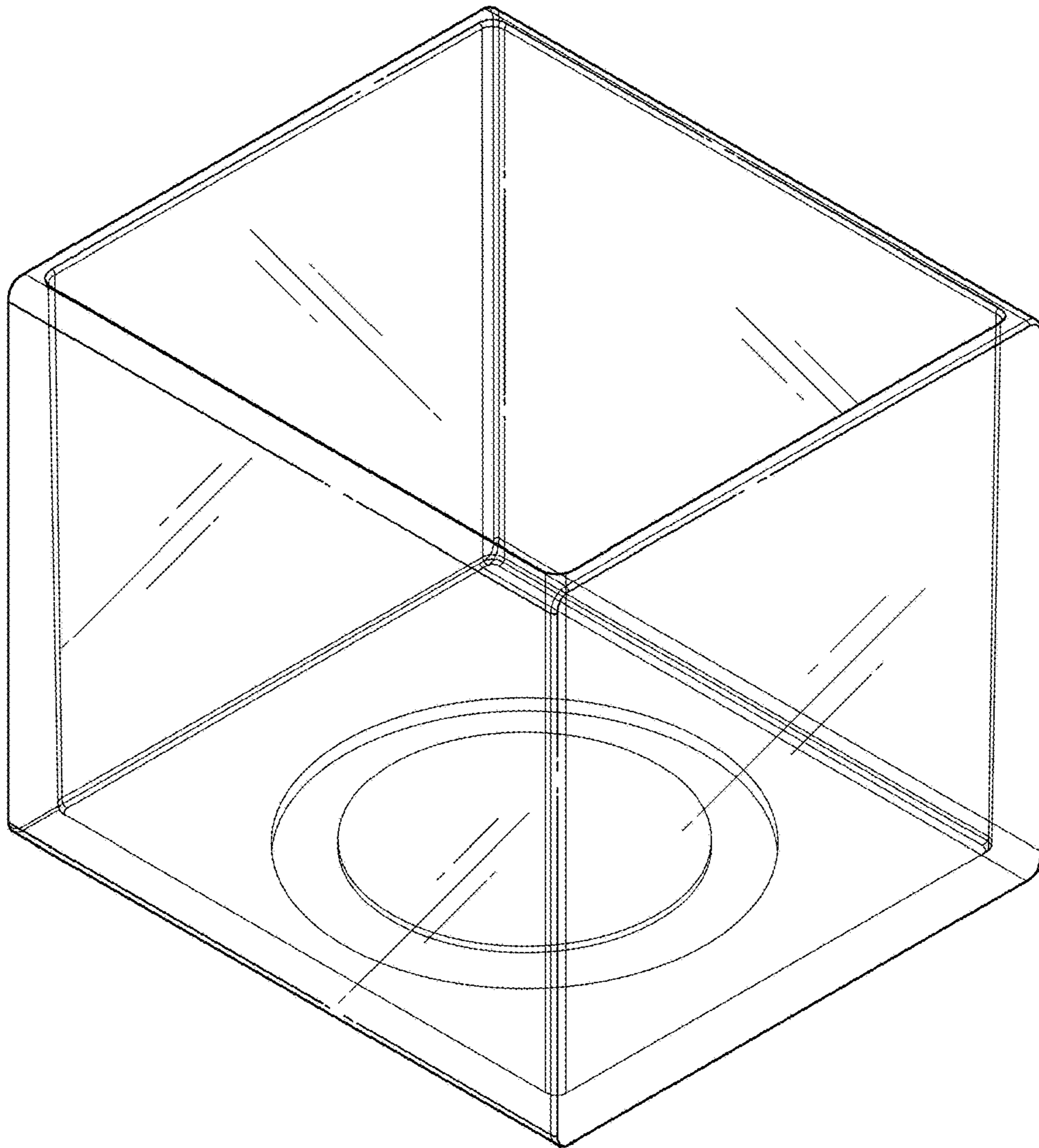


FIG. 9



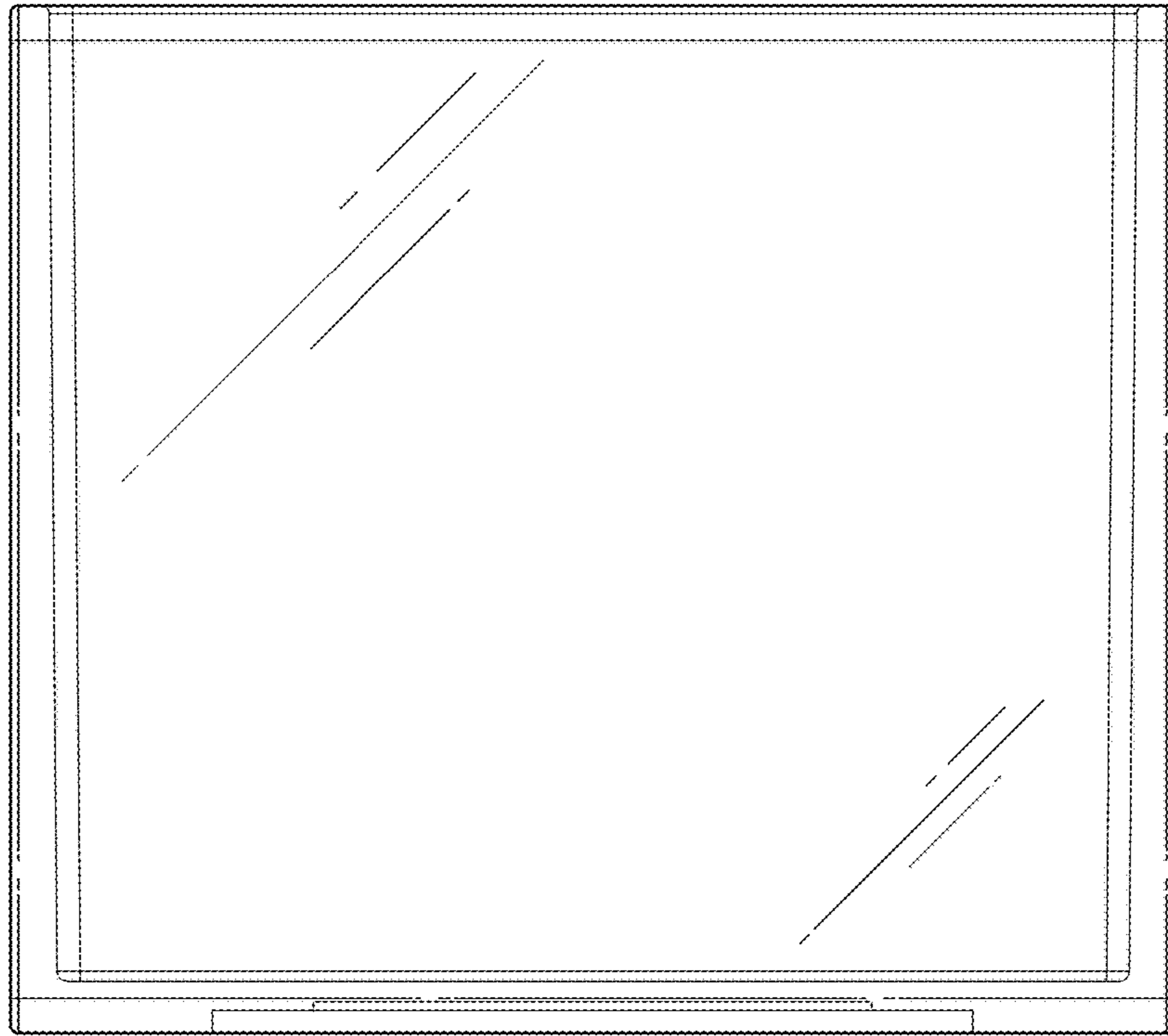


FIG. 10

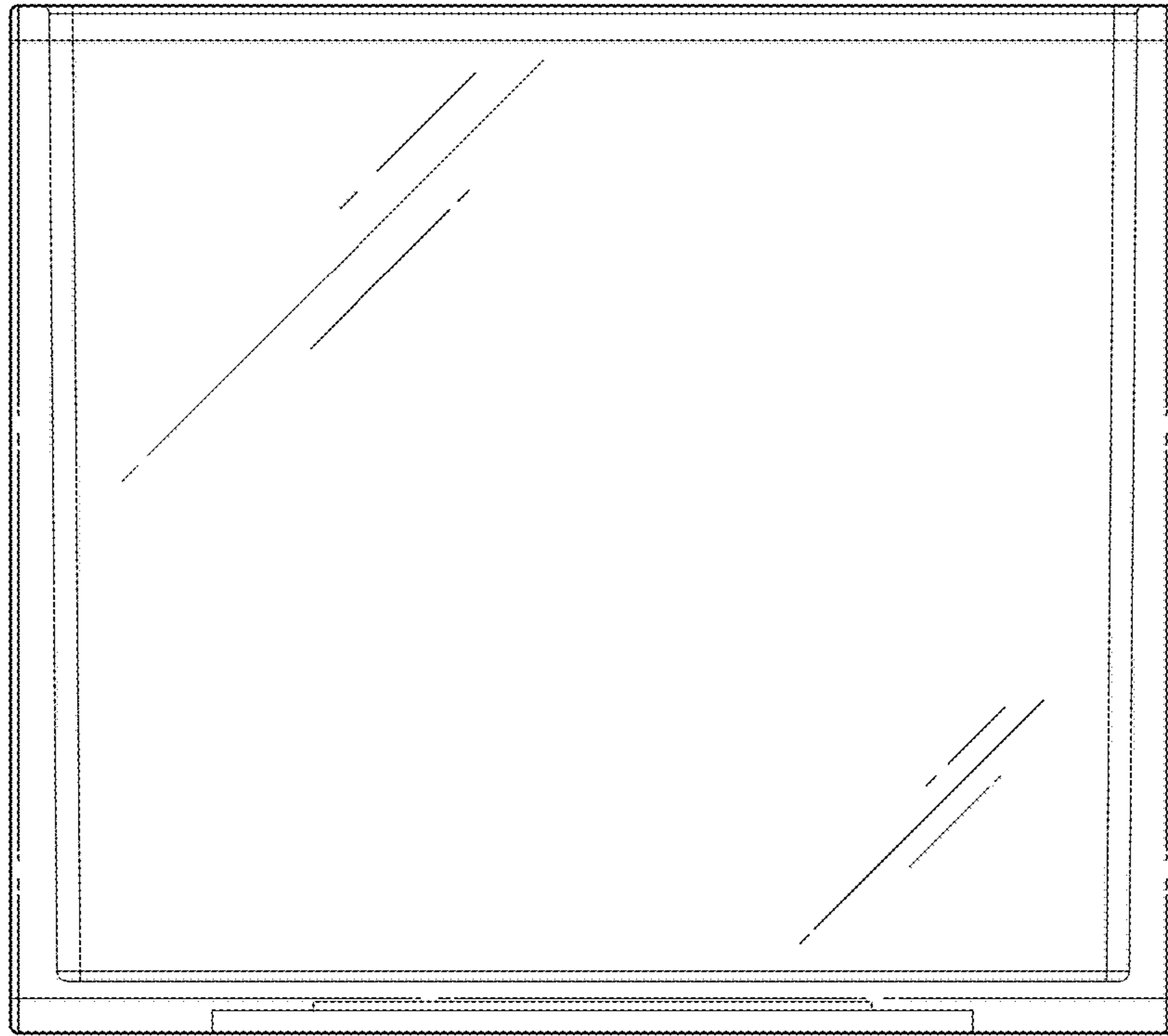


FIG. 11

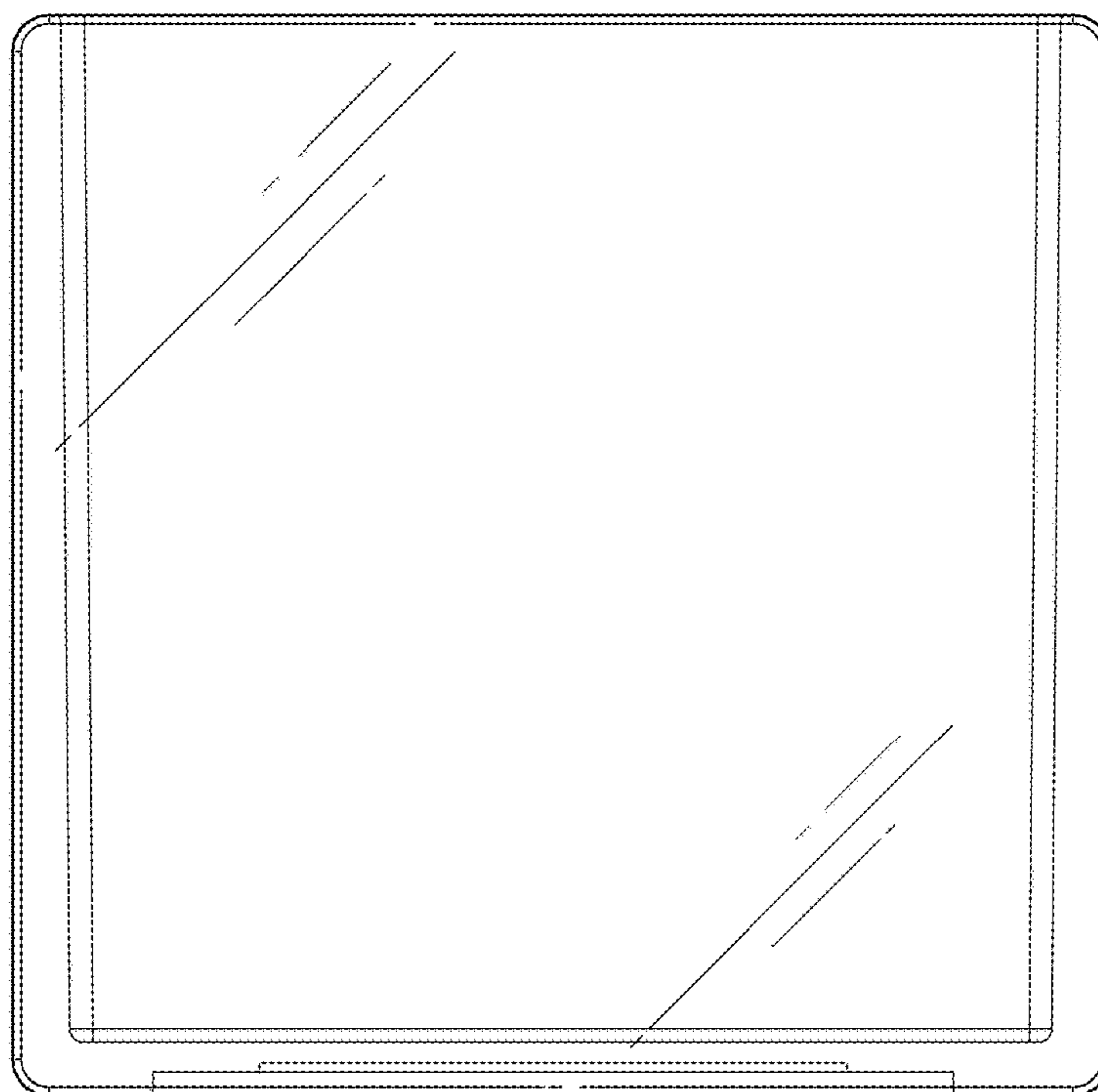


FIG. 12



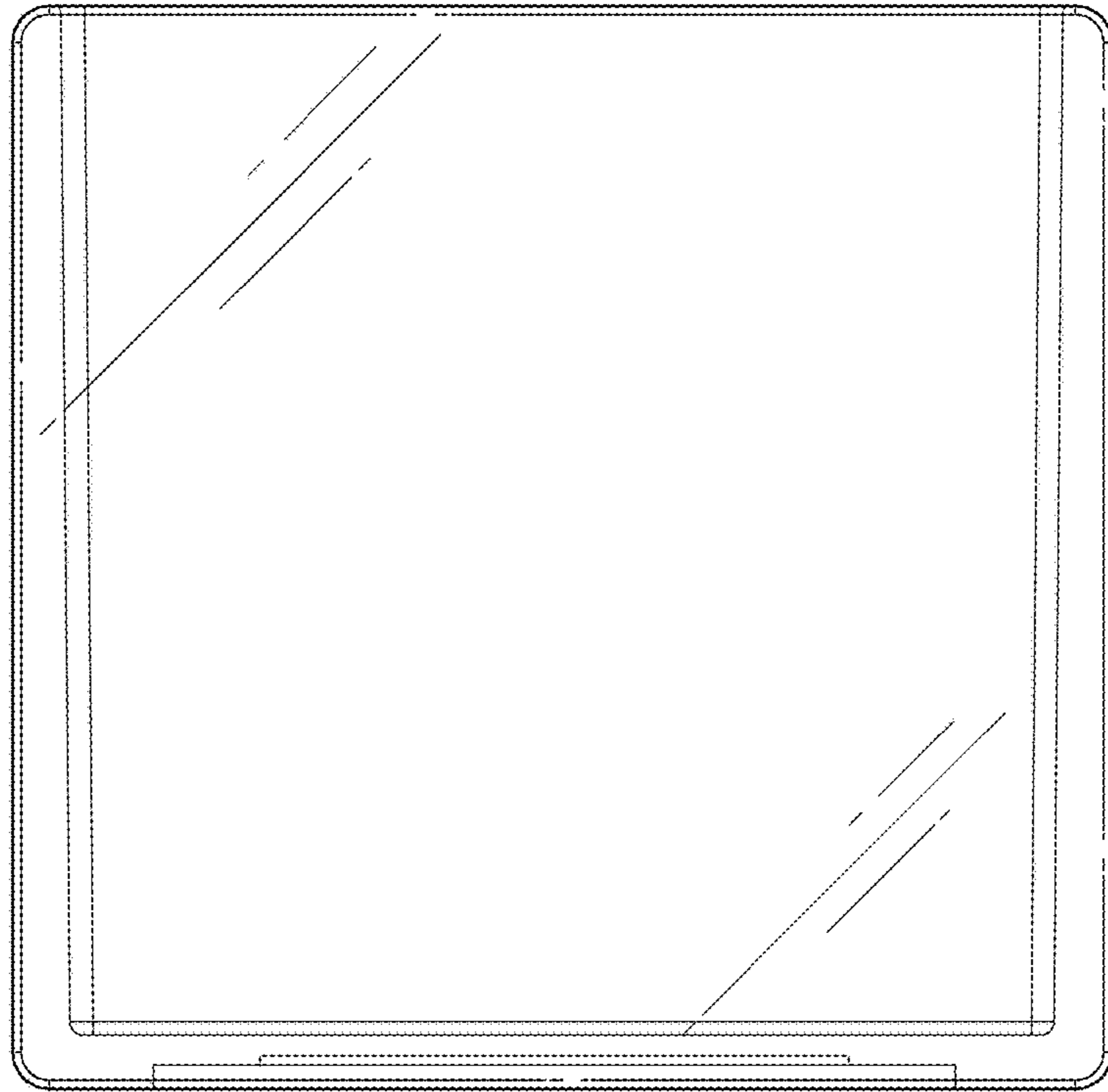


FIG. 13

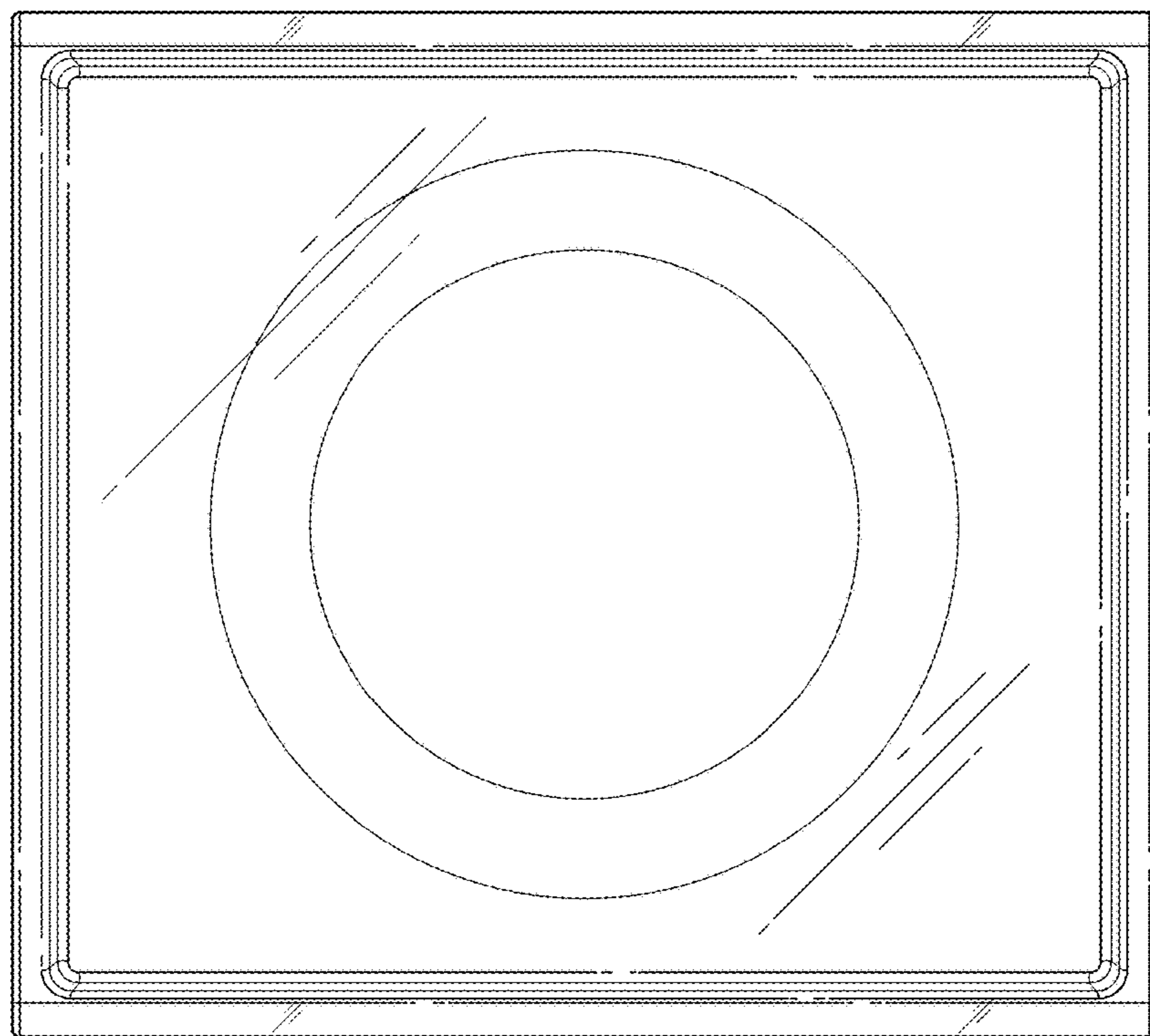


FIG. 14

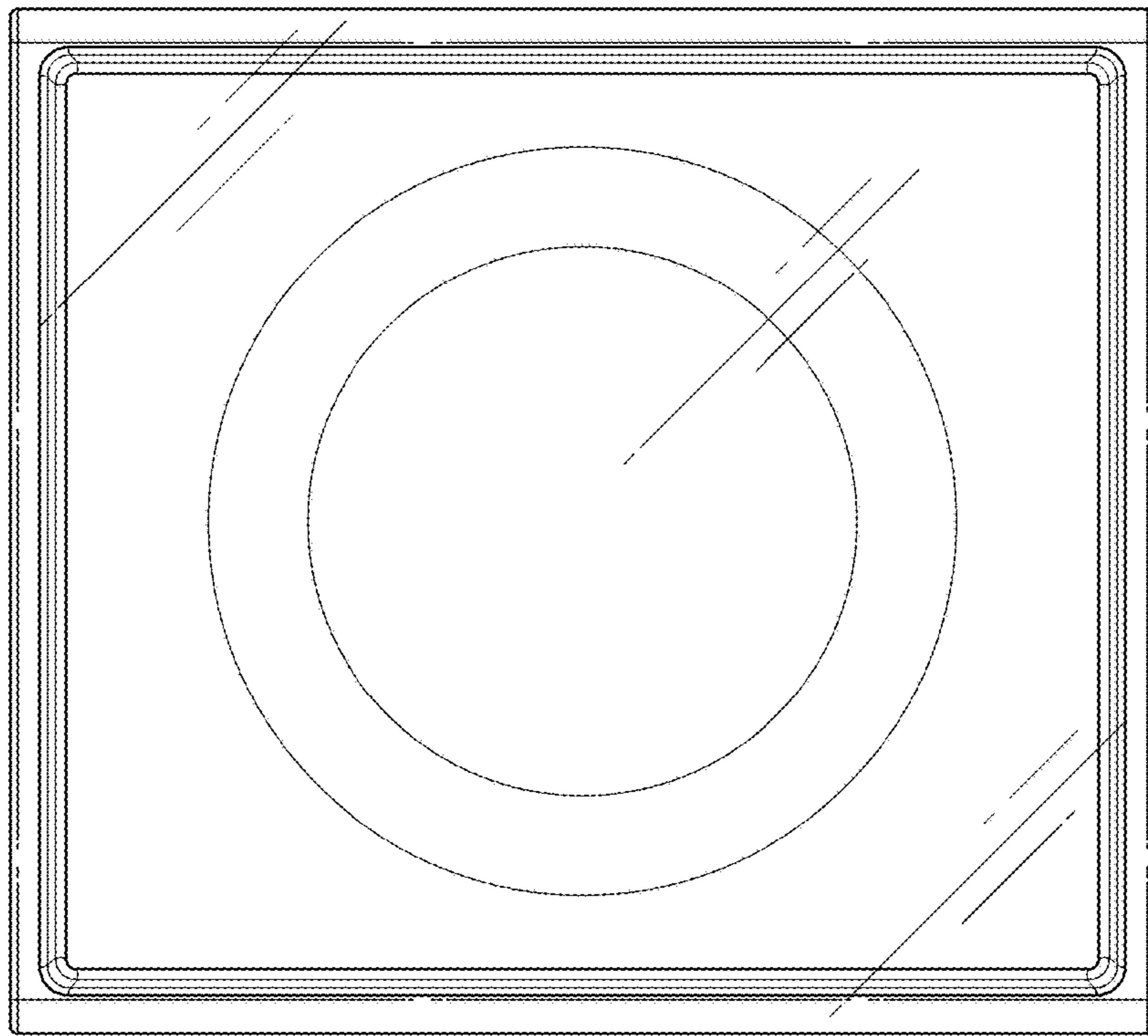


FIG. 15



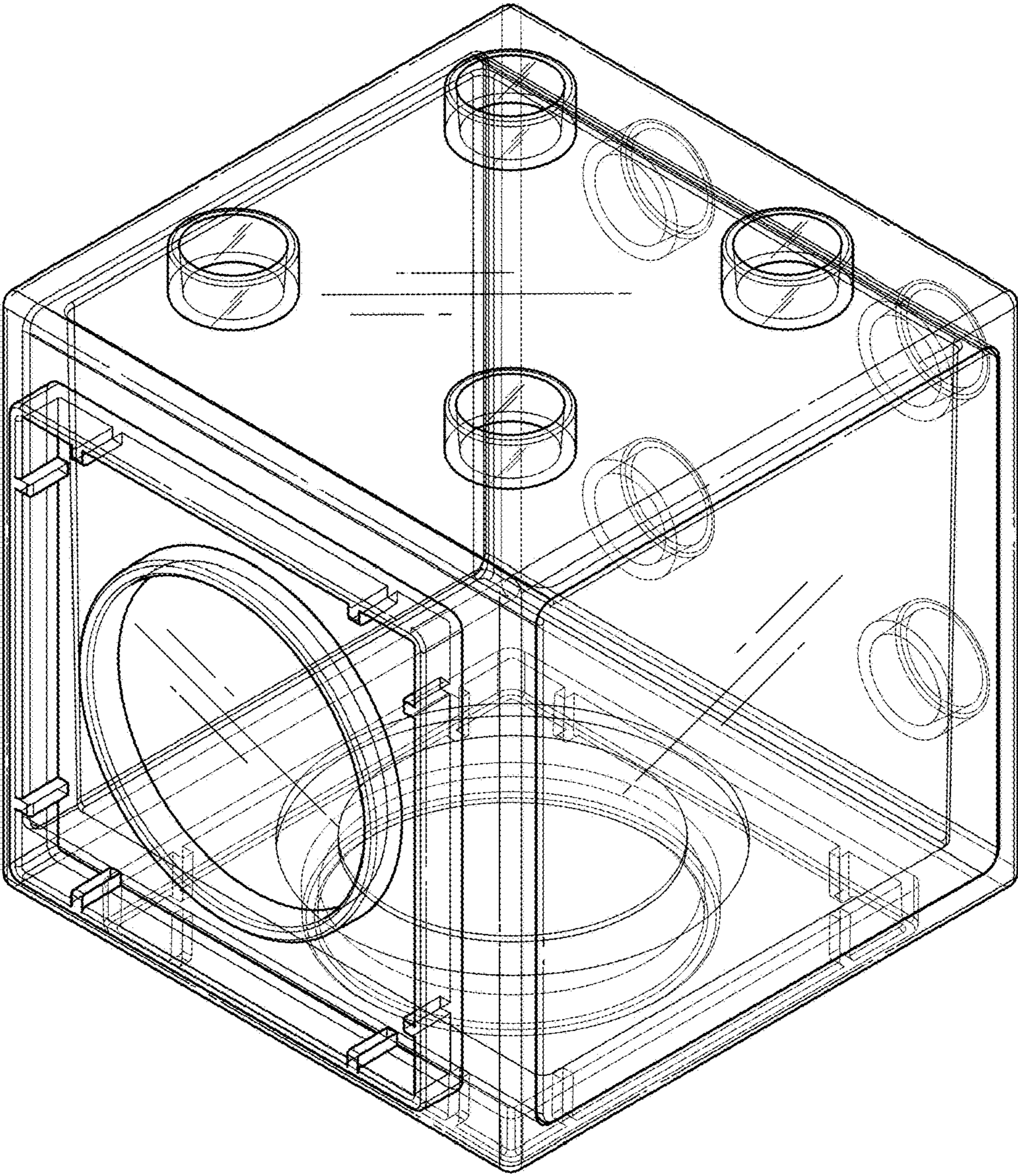


FIG. 16



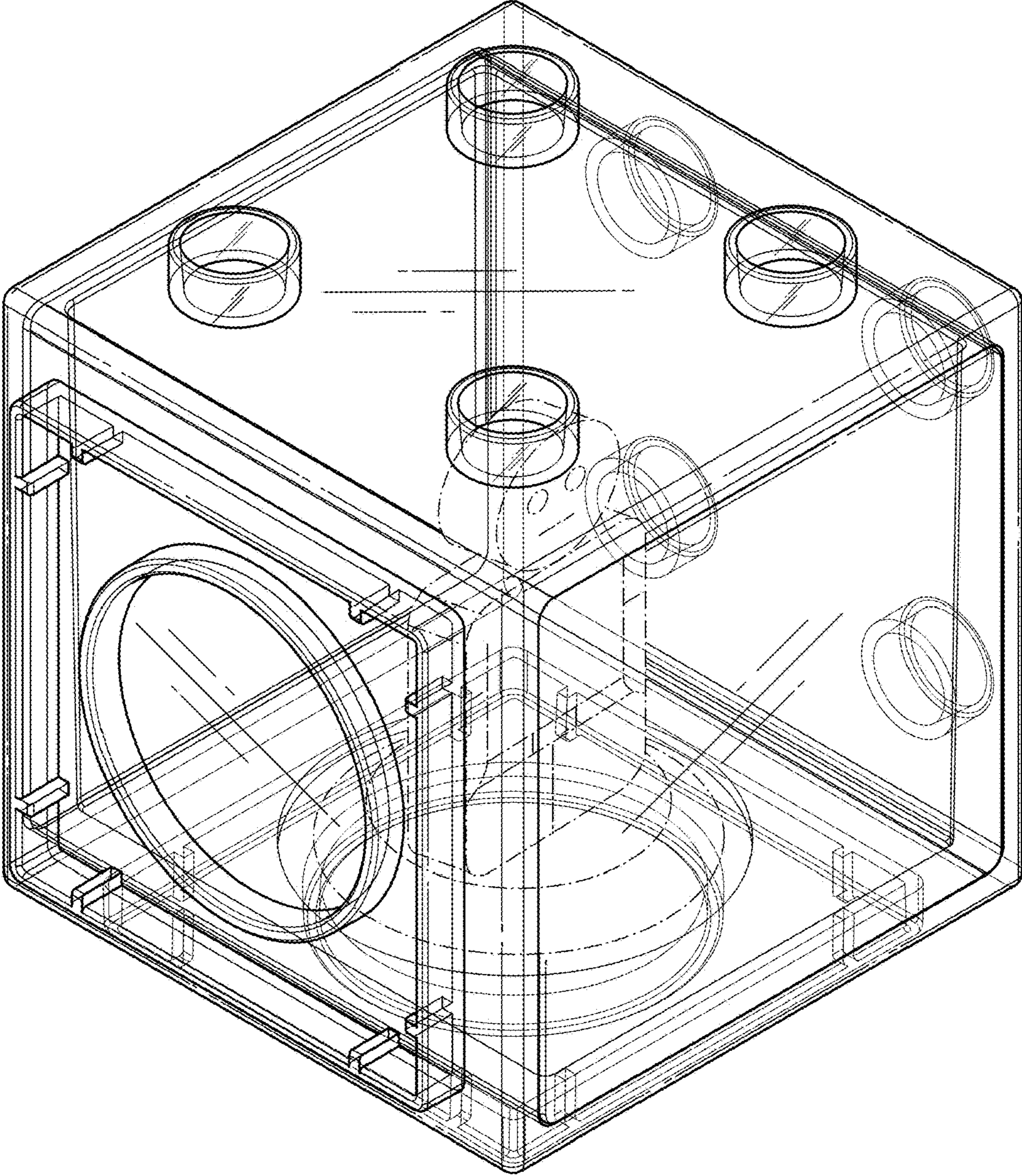


FIG. 17



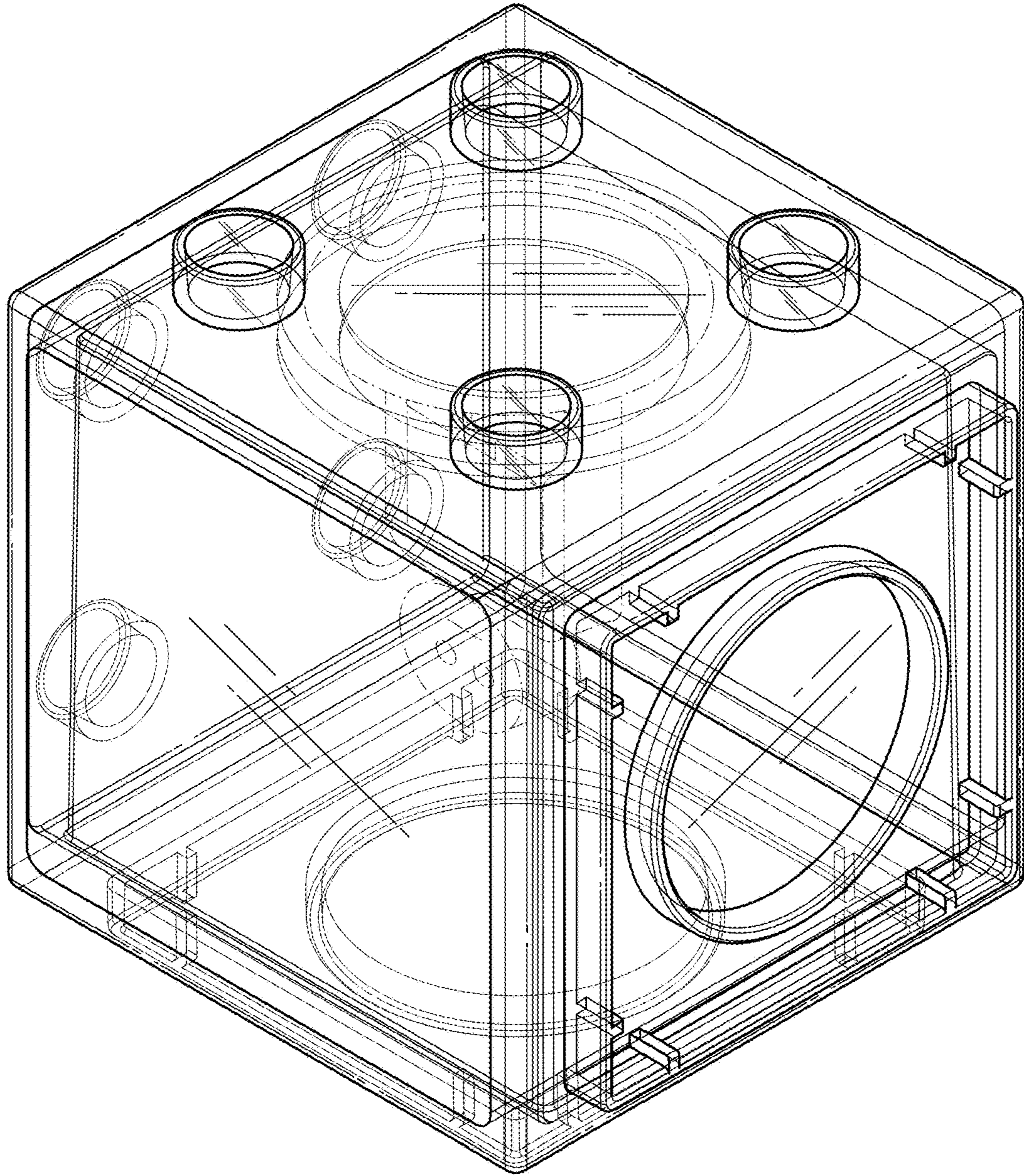


FIG. 18



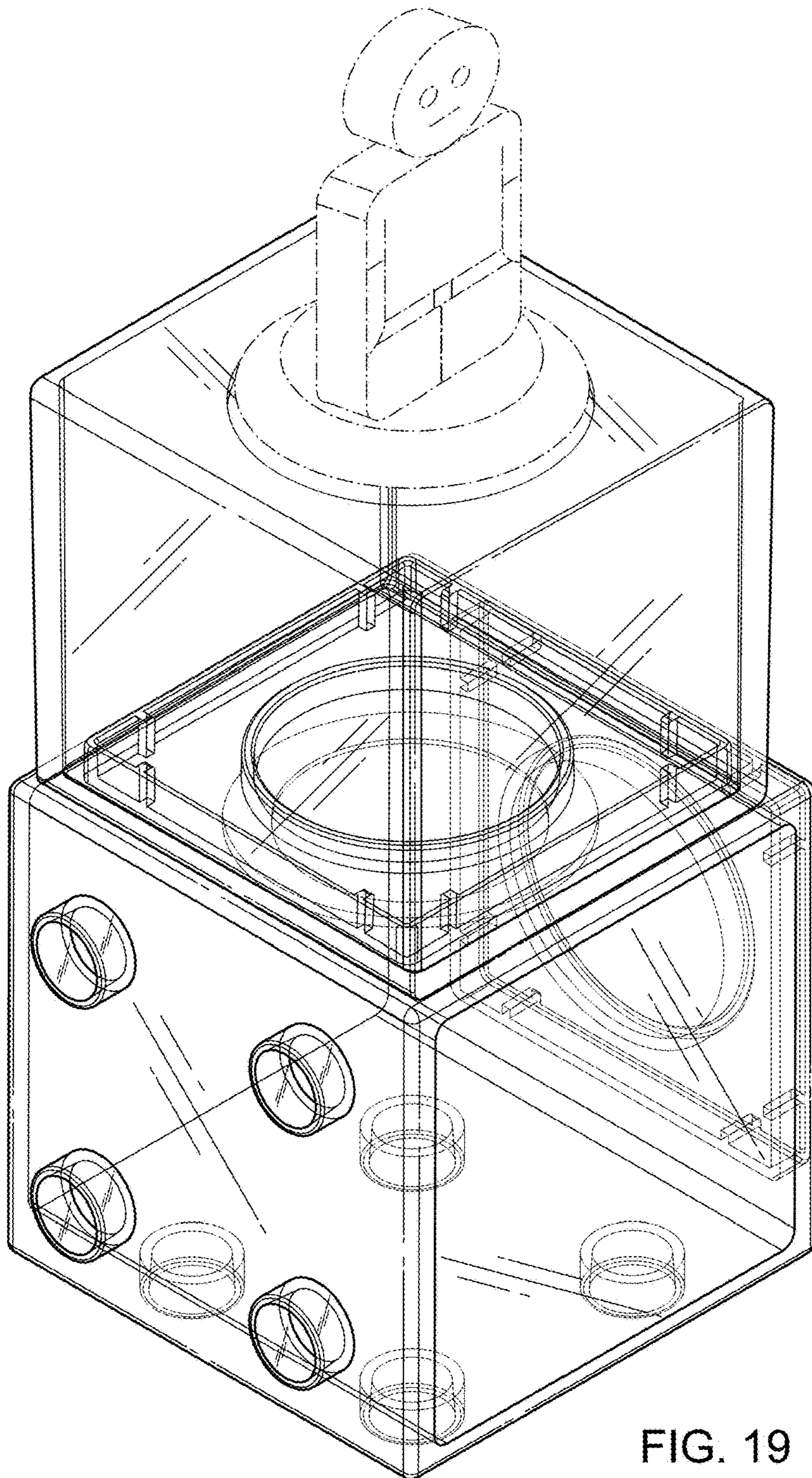


FIG. 19