



US00D848180S

(12) **United States Design Patent**  
**Huang**

(10) **Patent No.:** **US D848,180 S**

(45) **Date of Patent:** **\*\* May 14, 2019**

(54) **BUTTERFLY CUSHION**

(71) Applicant: **Shenzhen Boanju Household Products Limited, Shenzhen (CN)**

(72) Inventor: **Jiasheng Huang, Shenzhen (CN)**

(73) Assignee: **Shenzhen Boanju Household Products Limited, Shenzhen (CN)**

(\*\*) Term: **15 Years**

(21) Appl. No.: **29/628,606**

(22) Filed: **Dec. 6, 2017**

(51) **LOC (11) Cl.** ..... **06-09**

(52) **U.S. Cl.**  
USPC ..... **D6/601**

(58) **Field of Classification Search**  
USPC ..... D6/596, 597, 599, 601  
CPC ..... A47G 9/10; A47G 9/1027; A47G 9/1054;  
A47G 9/1072; A47G 9/1081; A47G  
9/109; A47G 2009/1018  
See application file for complete search history.

(56) **References Cited**

**U.S. PATENT DOCUMENTS**

5,522,106 A \* 6/1996 Harrison ..... A61G 5/1045  
5/653  
D401,795 S \* 12/1998 Liao ..... D6/601

D548,842 S \* 8/2007 Elnekaveh ..... D24/188  
D829,470 S \* 10/2018 Huang ..... D6/601  
2006/0150338 A1 \* 7/2006 Jackson, III ..... A47G 9/1027  
5/655.3  
2015/0108802 A1 \* 4/2015 Krishtul ..... A47C 7/029  
297/283.1

\* cited by examiner

*Primary Examiner* — R. Johnson

(74) *Attorney, Agent, or Firm* — Schmeiser, Olsen & Watts, LLP

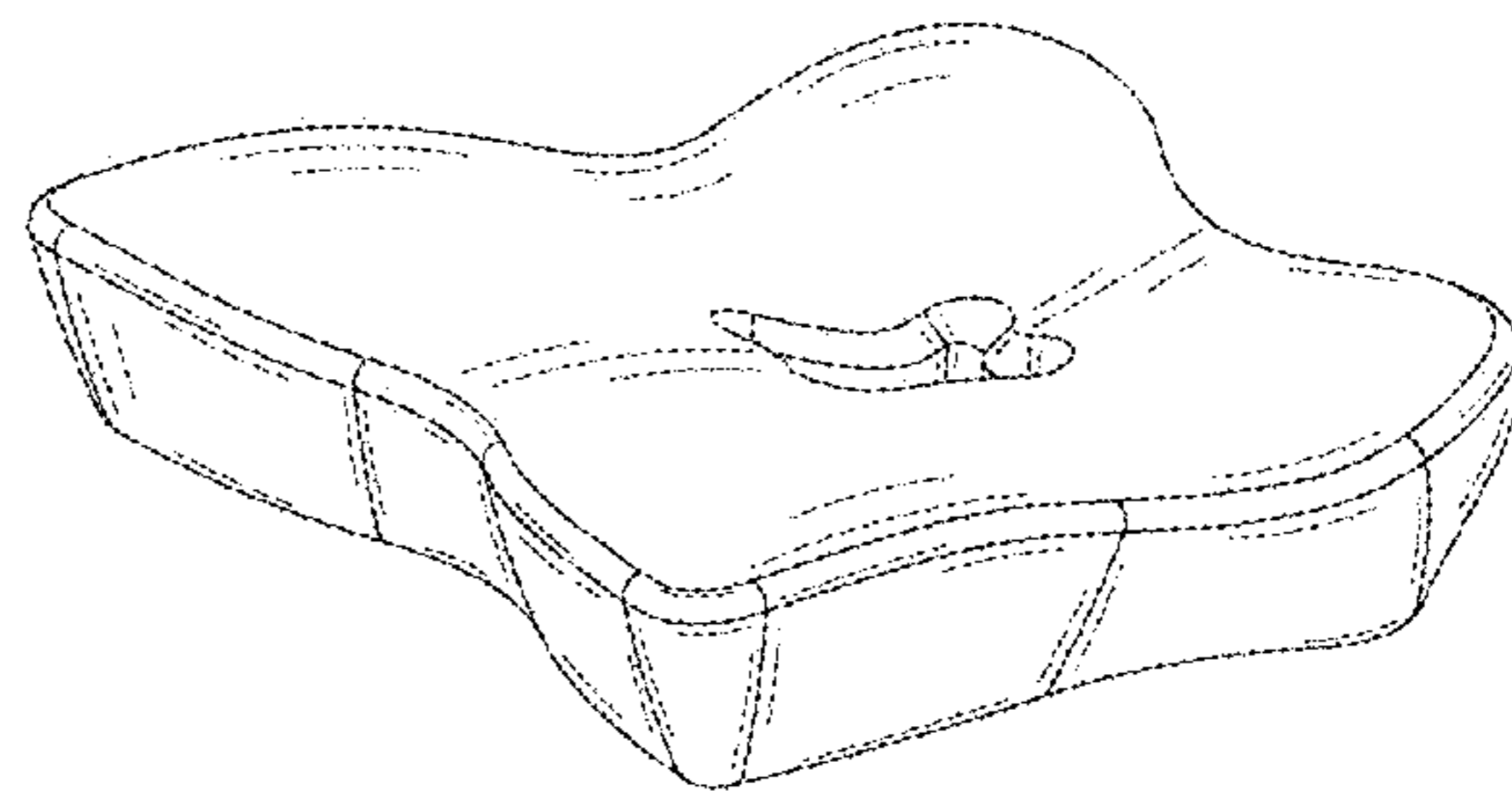
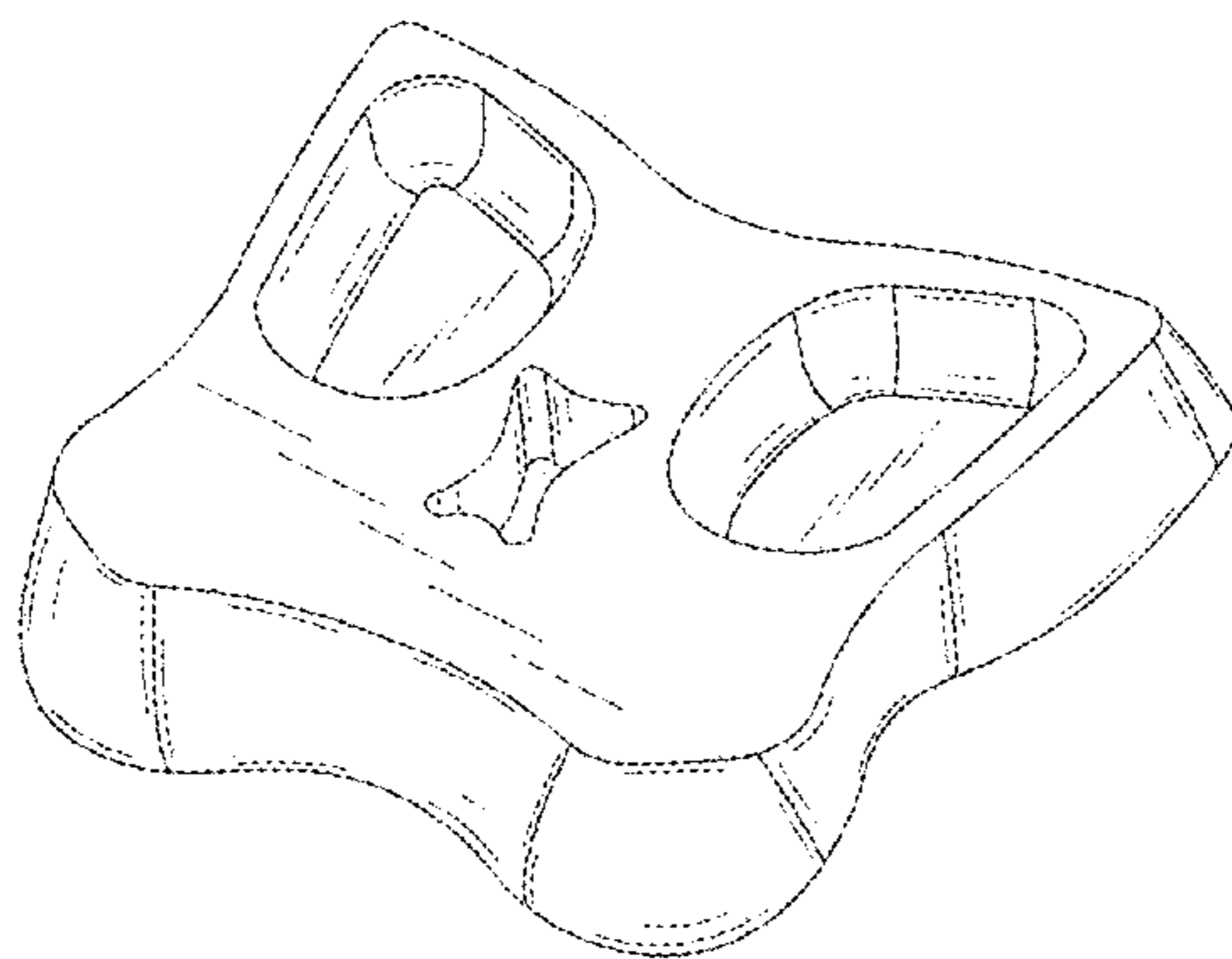
(57) **CLAIM**

The ornamental design for a butterfly cushion, as shown and described.

**DESCRIPTION**

FIG. 1 is a top and right perspective view of a butterfly cushion showing my new design;  
FIG. 2 is a bottom and left perspective view thereof;  
FIG. 3 is a front elevational view thereof;  
FIG. 4 is a rear elevational view thereof;  
FIG. 5 is a top plan view thereof;  
FIG. 6 is a bottom plan view thereof;  
FIG. 7 is a left side view thereof; and,  
FIG. 8 is a right side view thereof.

**1 Claim, 8 Drawing Sheets**



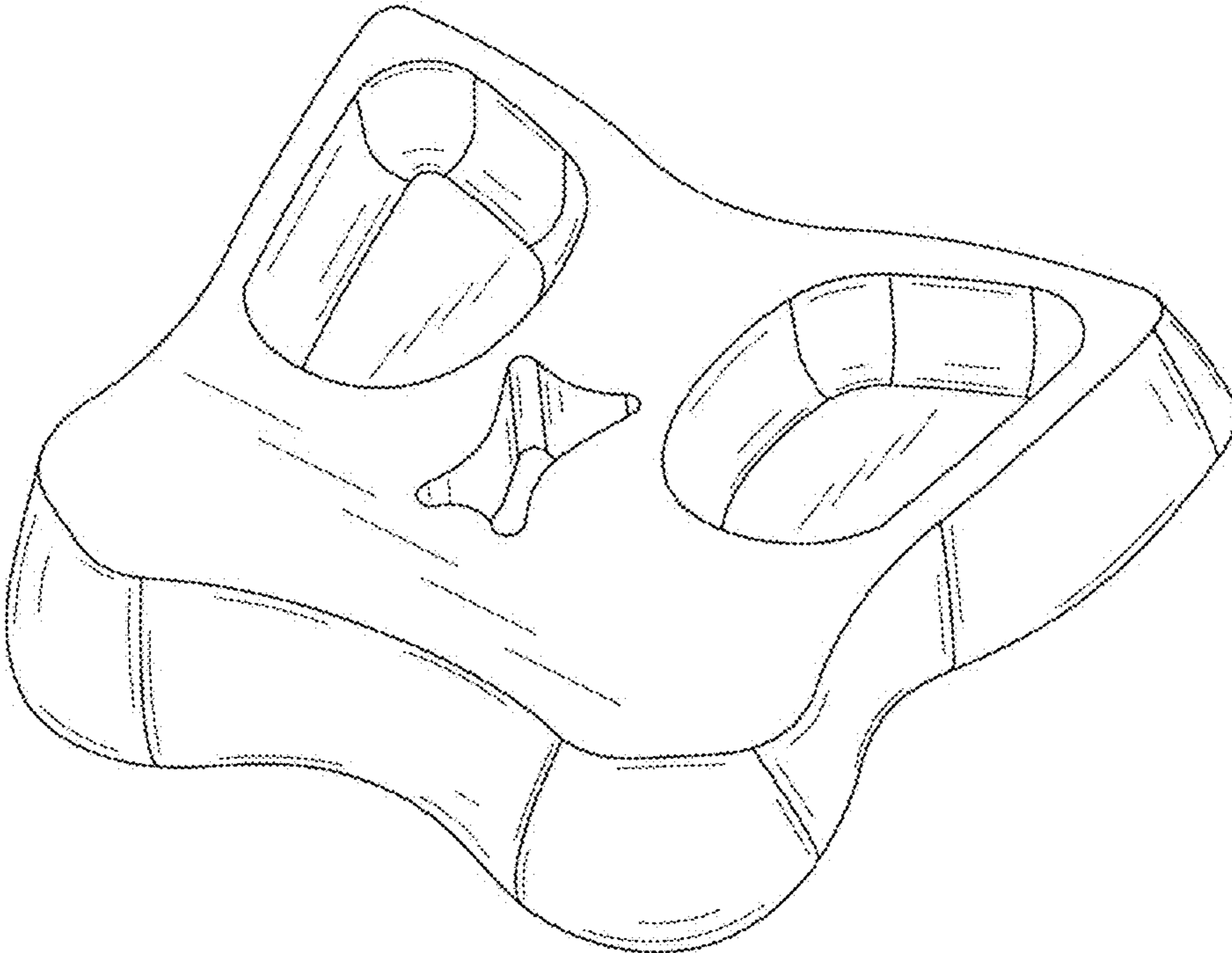


FIG. 1

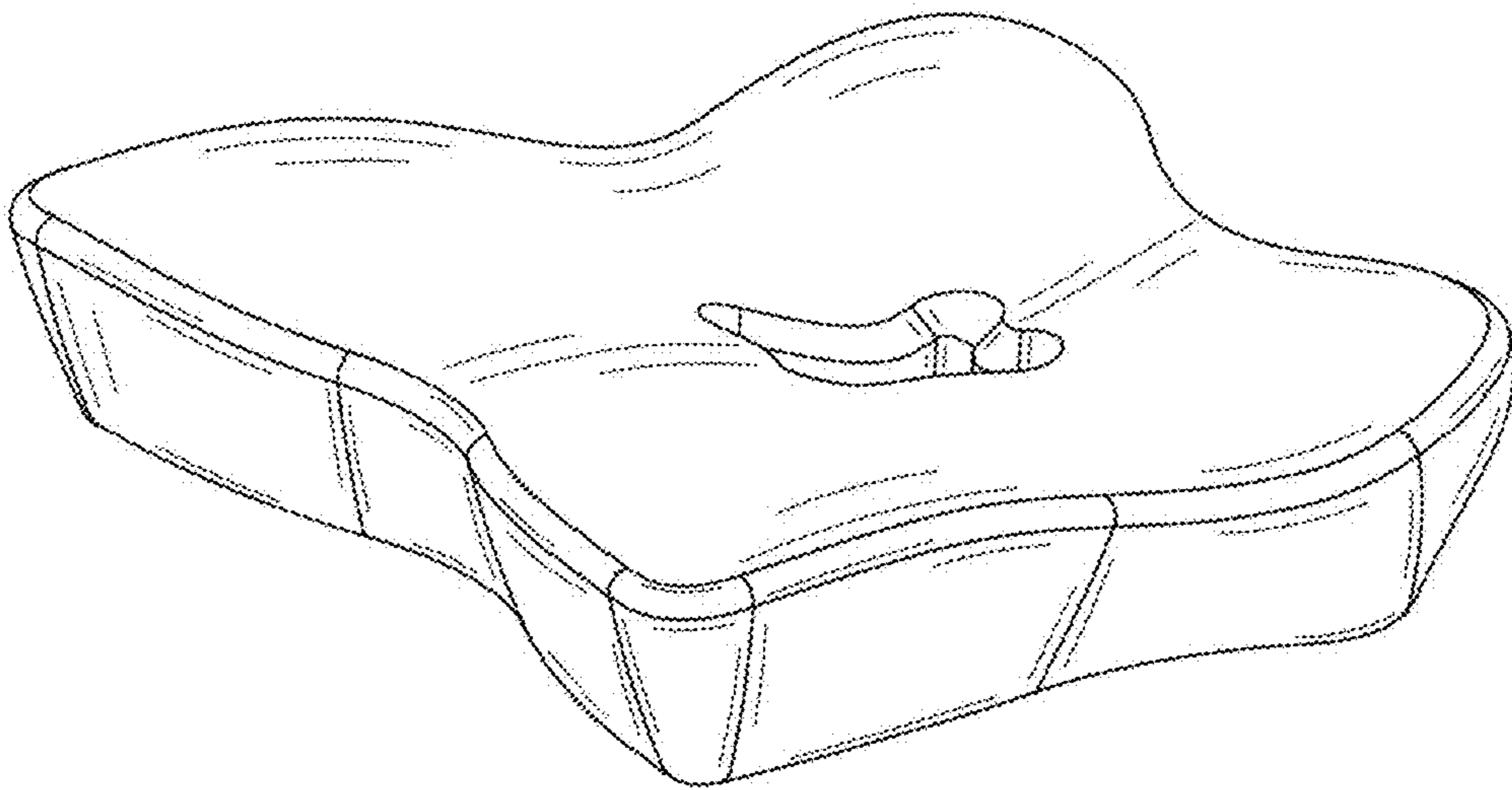


FIG. 2

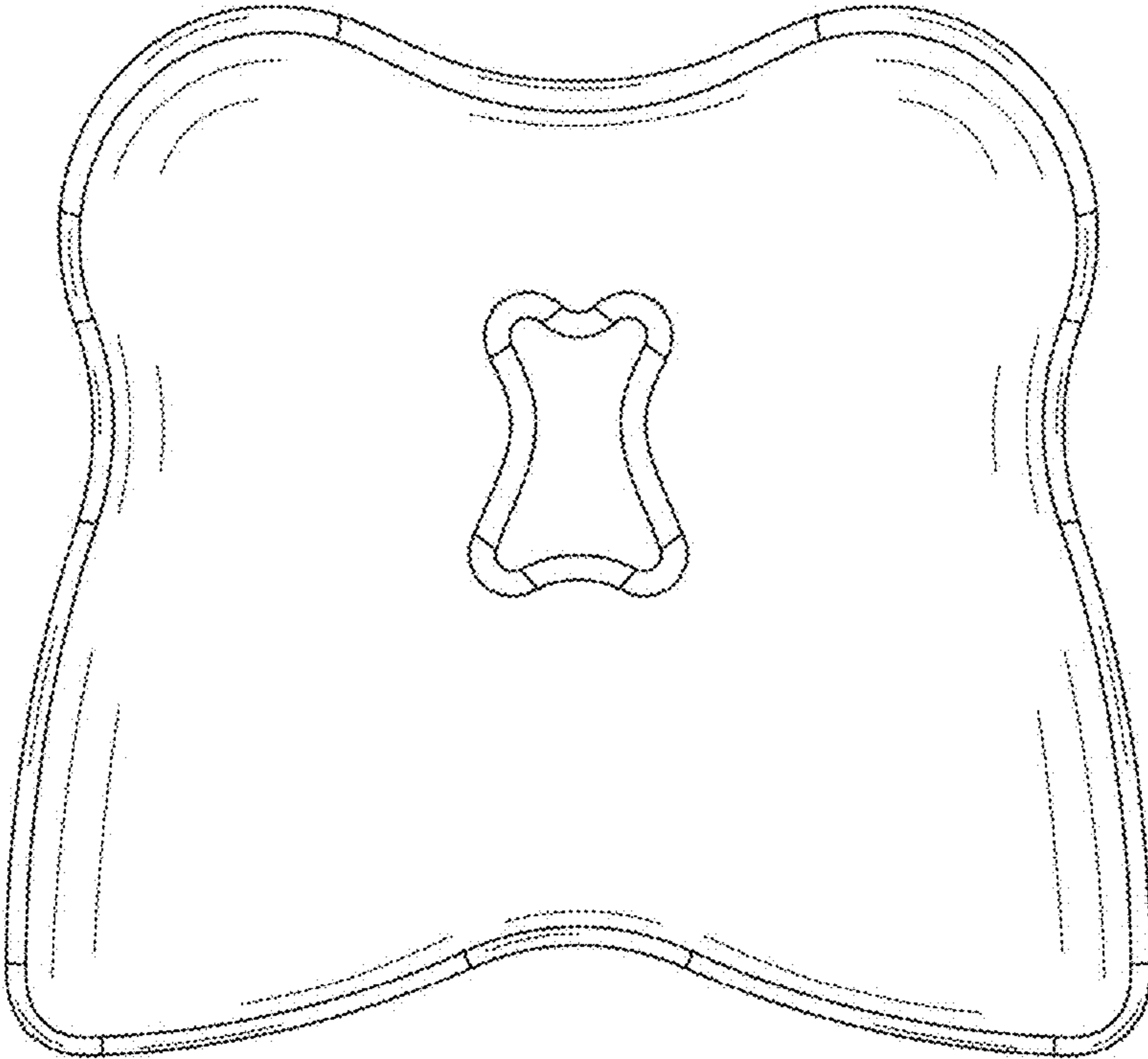


FIG. 3

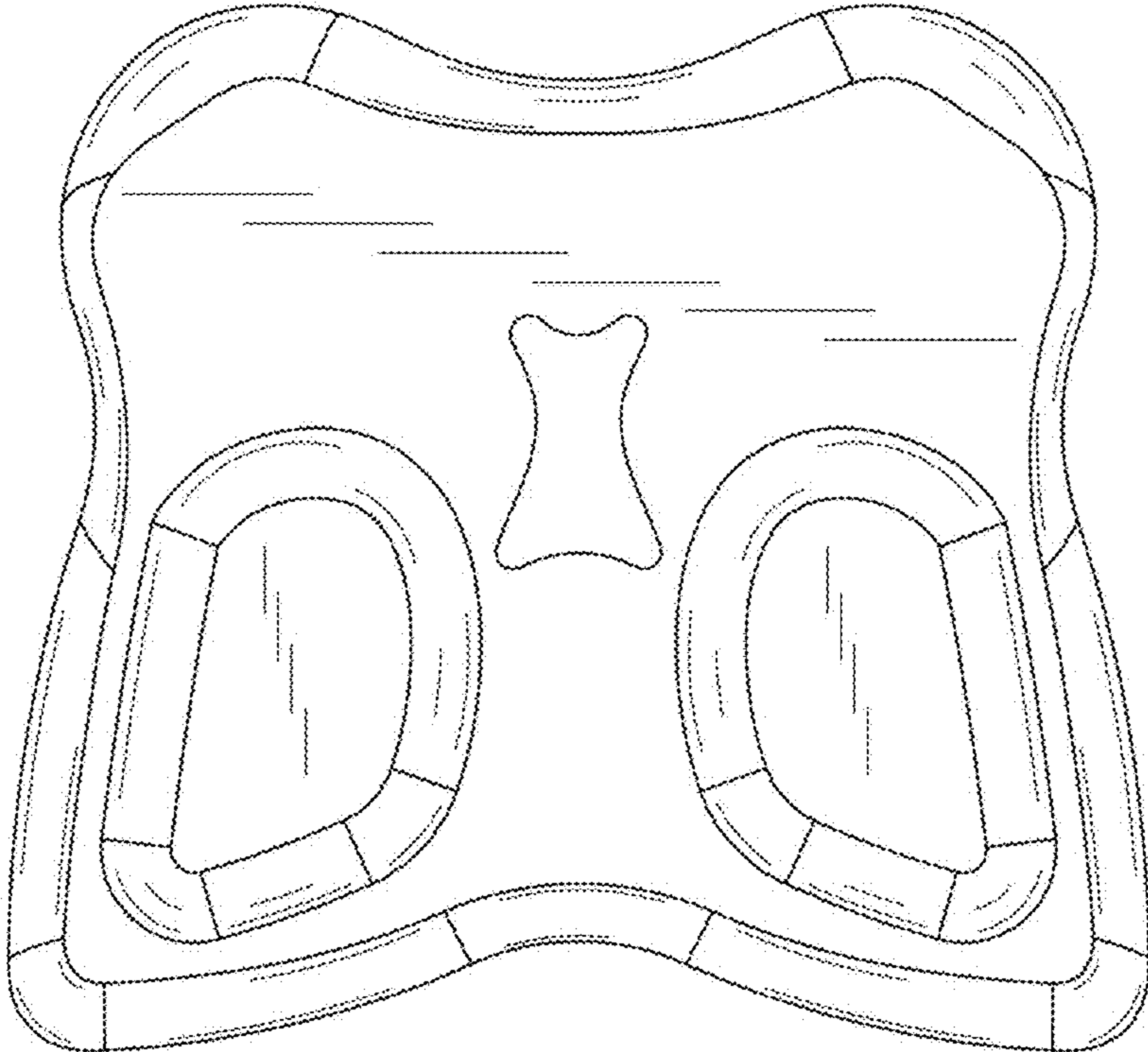


FIG. 4

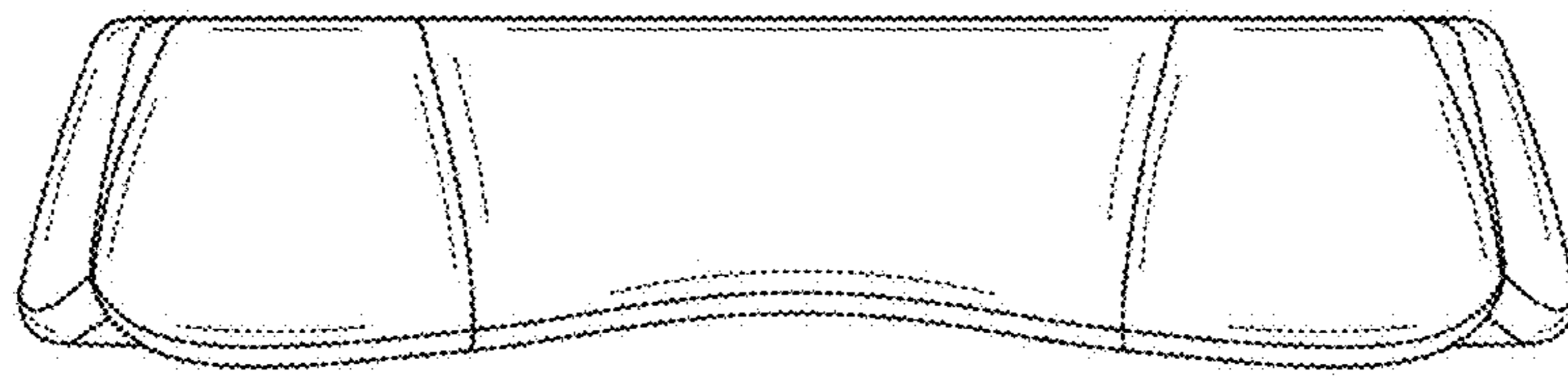


FIG. 5

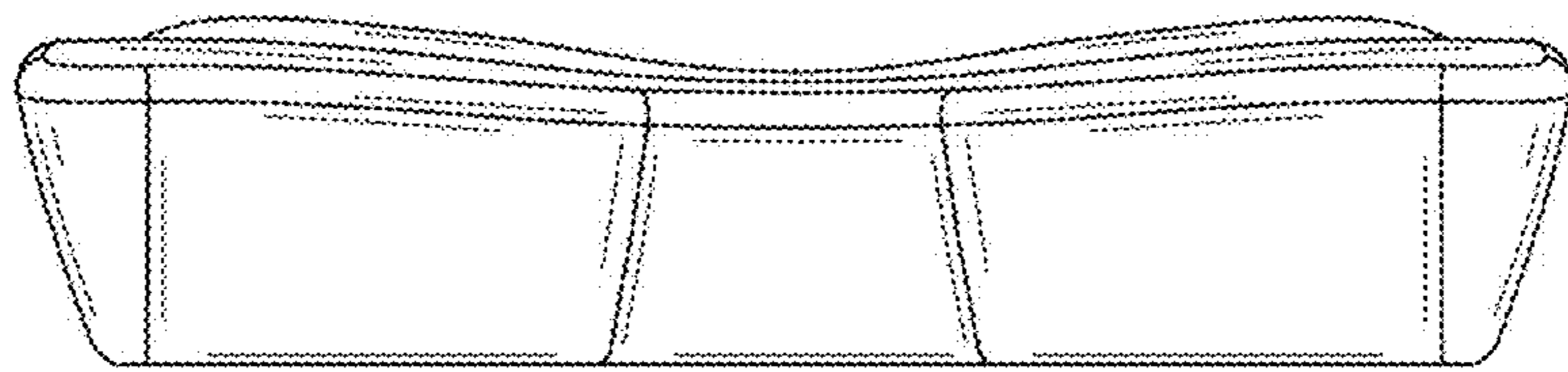


FIG. 6

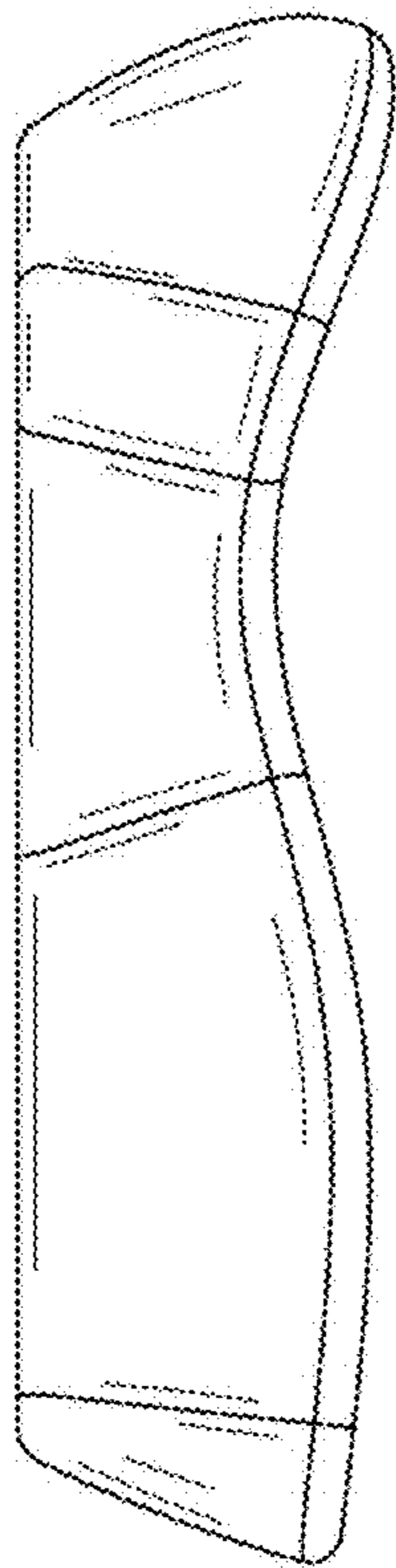


FIG. 7



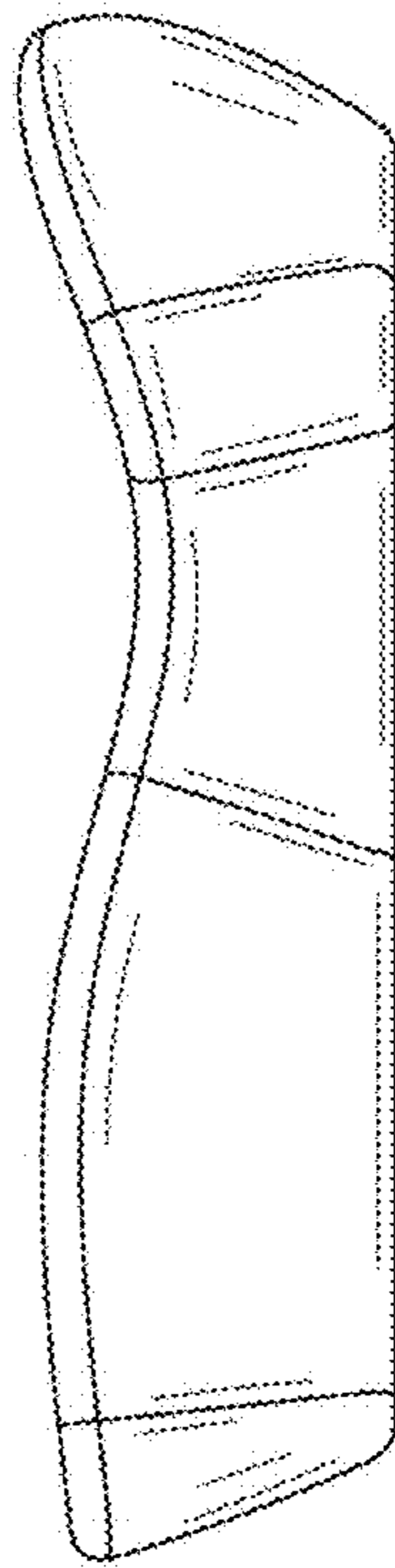


FIG. 8