



US00D848179S

(12) **United States Design Patent** (10) **Patent No.:** **US D848,179 S**  
**Lawrence** (45) **Date of Patent:** **\*\* May 14, 2019**

(54) **ROD HOLDER**

(71) Applicant: **Reel Rack, LLC**, Fort Pierce, FL (US)

(72) Inventor: **David Lawrence**, Fort Pierce, FL (US)

(\*\*) Term: **15 Years**

(21) Appl. No.: **29/561,418**

(22) Filed: **Apr. 15, 2016**

(51) **LOC (11) Cl.** ..... **08-08**

(52) **U.S. Cl.**  
USPC ..... **D6/552**

(58) **Field of Classification Search**  
USPC ..... D6/552, 553, 567, 572; D8/380;  
D22/147, 148, 109; D25/68; 43/21,  
43/21.2; 211/13.1, 60.1, 64, 70.2, 70.6,  
211/70.8, 65, 68, 69, 69.8, 89, 94;  
248/512, 520, 538, 316.7  
CPC ..... A01K 97/10; A01K 97/12; A01K 97/125;  
A01K 99/00; A01K 97/08; A47F 7/0021;  
(Continued)

(56) **References Cited**

**U.S. PATENT DOCUMENTS**

3,298,531 A \* 1/1967 Wilcke ..... A47L 13/512  
211/70.6  
D272,787 S \* 2/1984 Rumbaugh ..... D6/552  
(Continued)

**OTHER PUBLICATIONS**

Amazon.com, Wall Mount for 10 Big Game Rods Holder/Rack in Varied Rod Heights, May 26, 2018, <https://www.amazon.com/Mount-Holder-Rack-Varied-Heights/dp/B01JKL343E/>.\*

*Primary Examiner* — David G Muller  
*Assistant Examiner* — Nathan M Johnston

(74) *Attorney, Agent, or Firm* — Stephen C. Thomas

(57) **CLAIM**

The ornamental design for a rod holder, as shown and described.

**DESCRIPTION**

FIG. 1 is a front perspective view of the rod holder showing my new design;

FIG. 2 is a left side elevation view of the first embodiment thereof.

FIG. 3 is a left side elevation view of the second embodiment of a rod holder.

FIG. 4 is a top plan view of the hooking member of the rod holder shown separately for ease of illustration for both embodiments.

FIG. 5 is a front elevation view of the hooking member of the rod holder shown separately for ease of illustration thereof.

FIG. 6 is a bottom plan view of the hooking member of the rod holder shown separately for ease of illustration thereof.

FIG. 7 is a top plan view of the base of the rod holder for both embodiments shown separately for ease of illustration.

FIG. 8 is a cross-sectional view along line 8 on FIG. 7 of the base of the rod holder for the first embodiment, shown separately for ease of illustration.

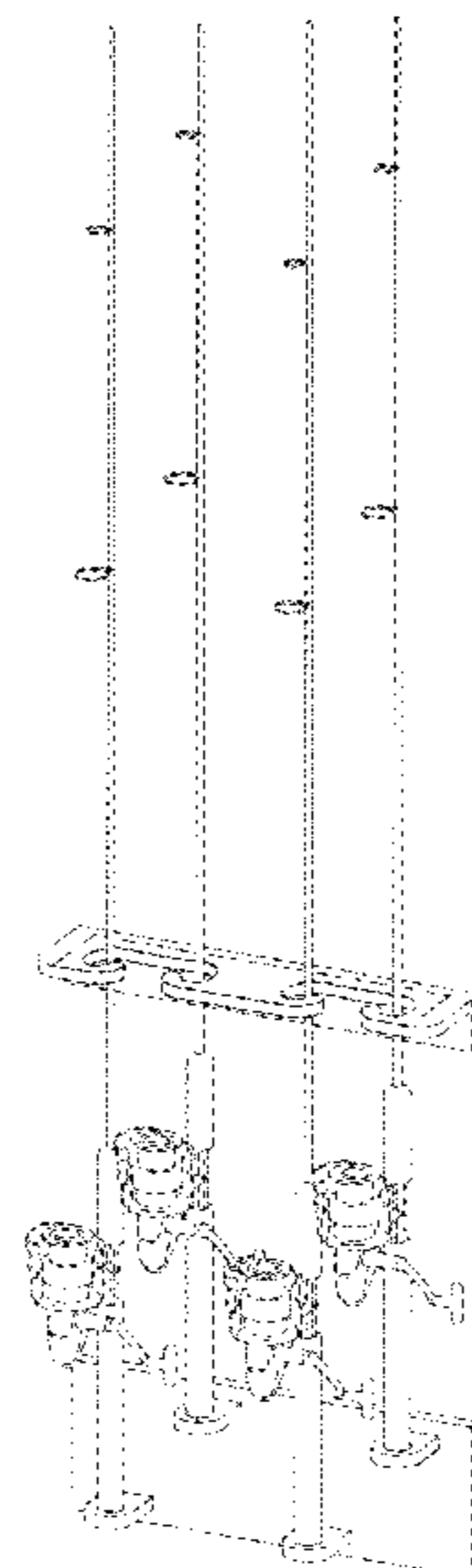
FIG. 9 is a cross-sectional view along line 9 on FIG. 7 of the base of the rod holder for second embodiment shown separately for ease of illustration.

FIG. 10 is a bottom plan view of the base of the rod holder for the first embodiment shown separately for ease of illustration; and,

FIG. 11 is a bottom plan view of the base of the rod holder for the second embodiment shown separately for ease of illustration.

The dashed dot lines immediately adjacent to the shaded areas in the figures represent the boundaries of the claimed design. The dashed lines in the figures illustrate the portions of the design that form no part of the claimed design. None of the broken lines form any part of the claimed design.

**1 Claim, 6 Drawing Sheets**



# US D848,179 S

Page 2

(58) **Field of Classification Search**

CPC . A47F 7/0035; A47B 81/005; Y10T 70/5009;  
Y10S 224/922

See application file for complete search history.

(56) **References Cited**

U.S. PATENT DOCUMENTS

4,461,385 A \* 7/1984 Clouser ..... A47B 81/005  
211/4  
4,583,647 A \* 4/1986 Schinzing ..... A47B 81/007  
211/60.1  
4,871,074 A \* 10/1989 Bryson ..... A45D 20/12  
211/26  
D310,302 S \* 9/1990 Southard ..... 211/163  
D335,233 S \* 5/1993 Long ..... D6/552  
D340,608 S \* 10/1993 Hubbard ..... D6/567  
D440,803 S \* 4/2001 McCormick ..... D6/552  
6,360,902 B1 \* 3/2002 Searles ..... A01K 97/10  
211/70.8  
D478,738 S \* 8/2003 Workman ..... D6/552  
D530,960 S \* 10/2006 Osiecki ..... D6/552

D573,827 S \* 7/2008 Taggart ..... D6/552  
D597,775 S \* 8/2009 Taggart ..... D6/552  
D597,776 S \* 8/2009 Taggart ..... D6/552  
D685,501 S \* 7/2013 Schildmeyer ..... D25/68  
D699,477 S \* 2/2014 Allen ..... D6/552  
D702,886 S \* 4/2014 Bohman ..... D28/38  
2004/0140280 A1 \* 7/2004 Cleveland ..... A47B 46/00  
211/64  
2005/0133473 A1 \* 6/2005 Lesperance ..... A47B 81/005  
211/64  
2005/0194331 A1 \* 9/2005 Chang ..... A47B 81/00  
211/60.1  
2007/0210021 A1 \* 9/2007 Whitehead ..... B25H 3/04  
211/70.6  
2011/0204109 A1 \* 8/2011 Knutson ..... A01K 97/08  
224/405  
2015/0216301 A1 \* 8/2015 Yates ..... A47B 81/005  
211/70.8  
2015/0359210 A1 \* 12/2015 Rossi ..... A01K 97/10  
43/21.2  
2018/0014642 A1 \* 1/2018 Quinto ..... A47B 81/005

\* cited by examiner

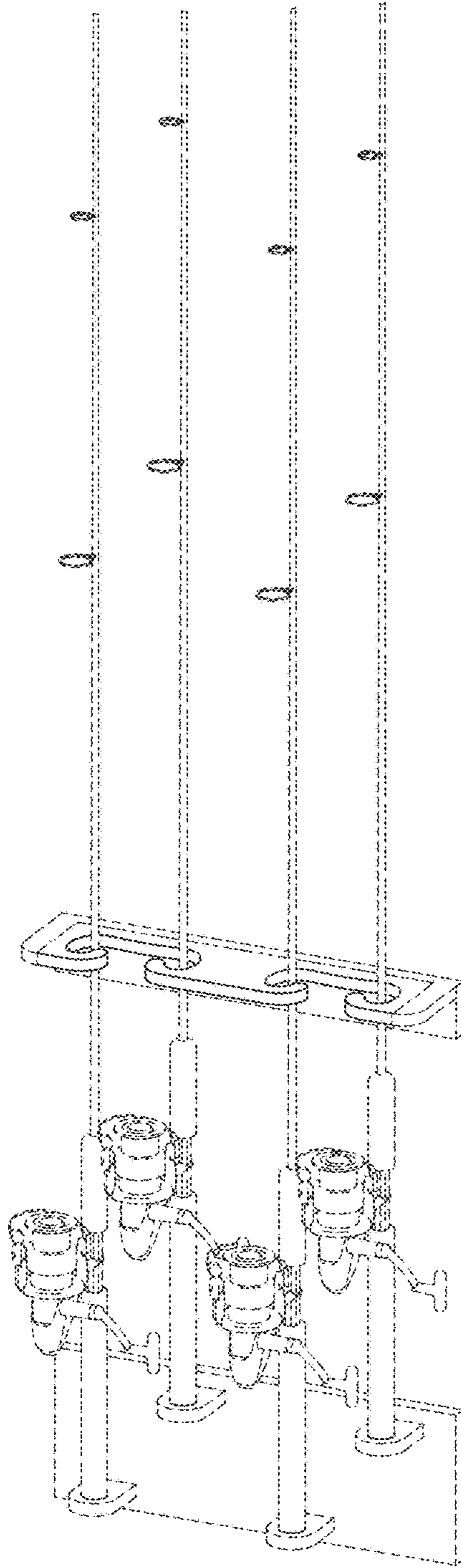


FIG. 1

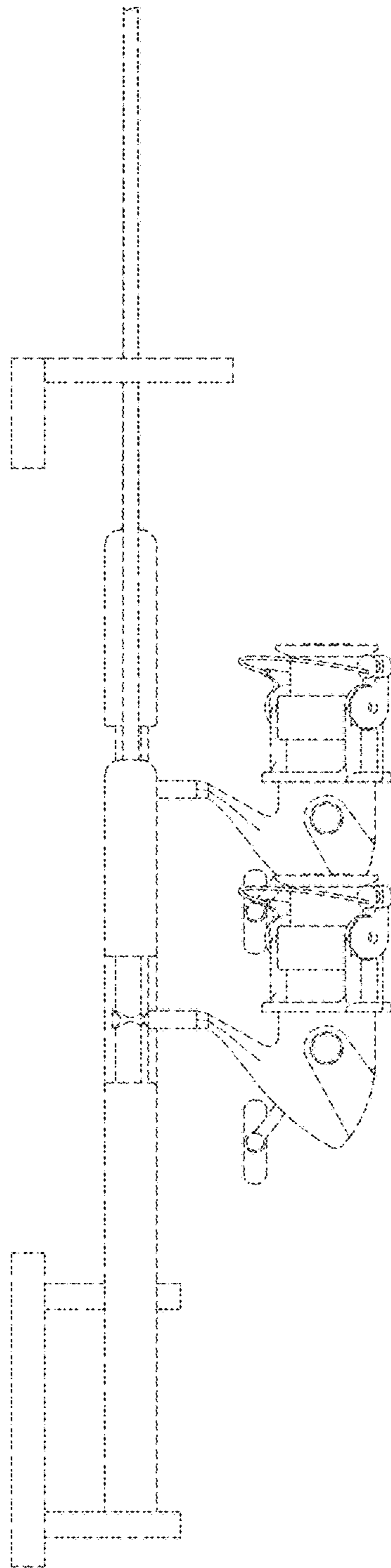


FIG. 2

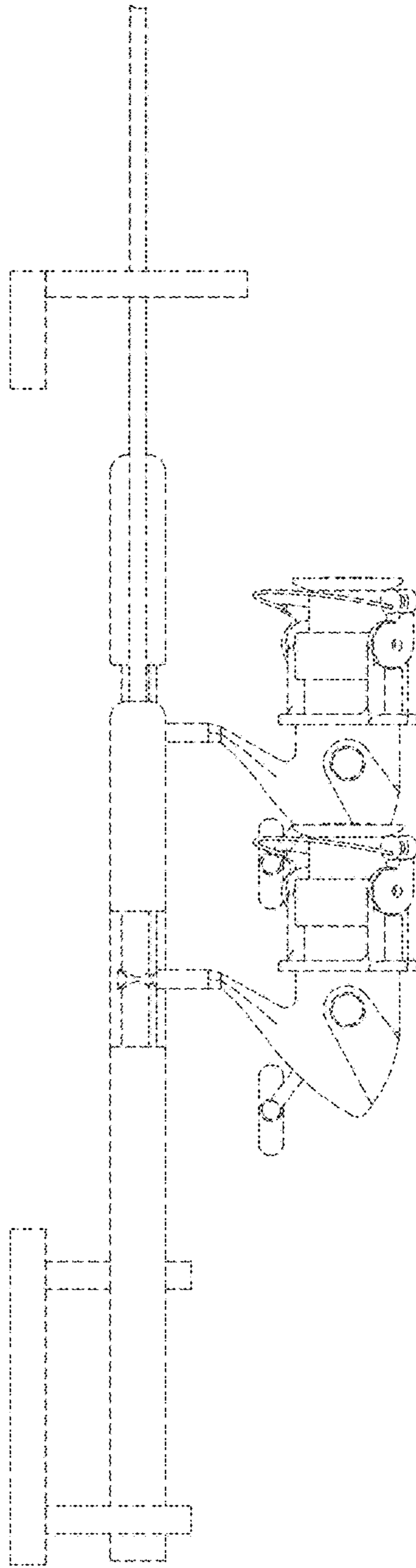


FIG. 3



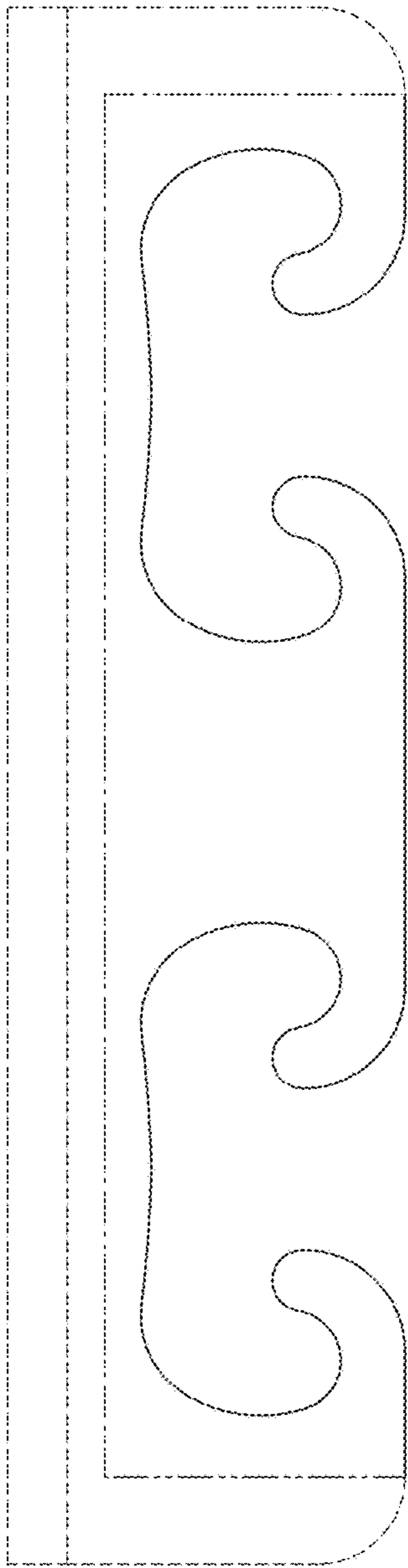


FIG. 4

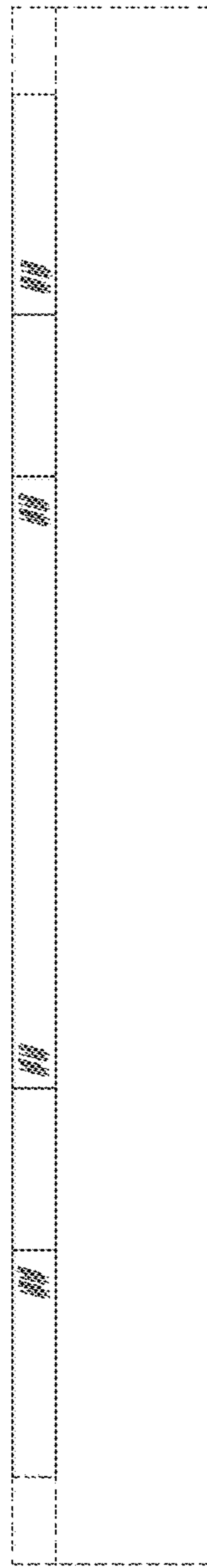


FIG. 5

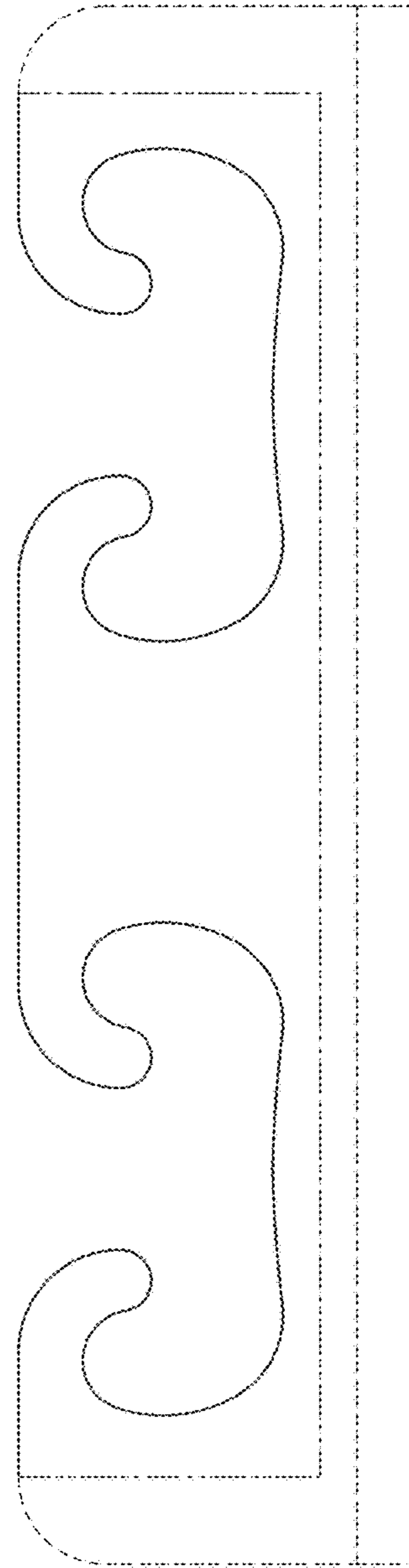


FIG. 6

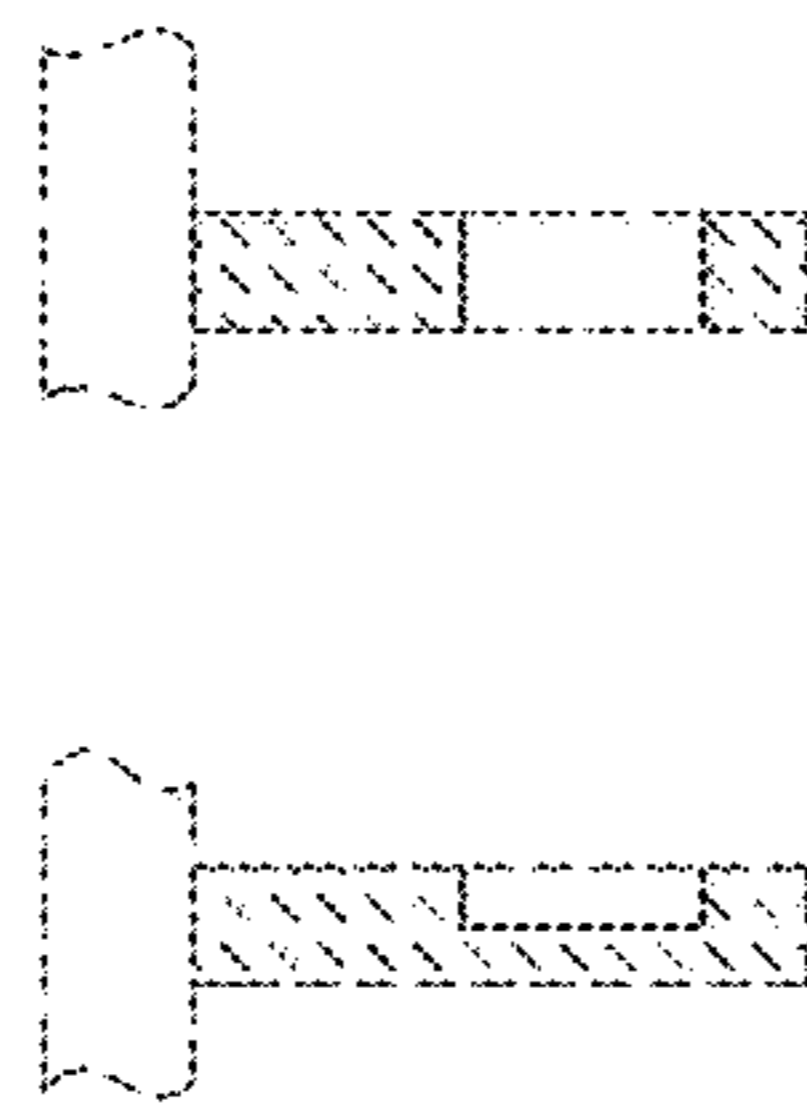
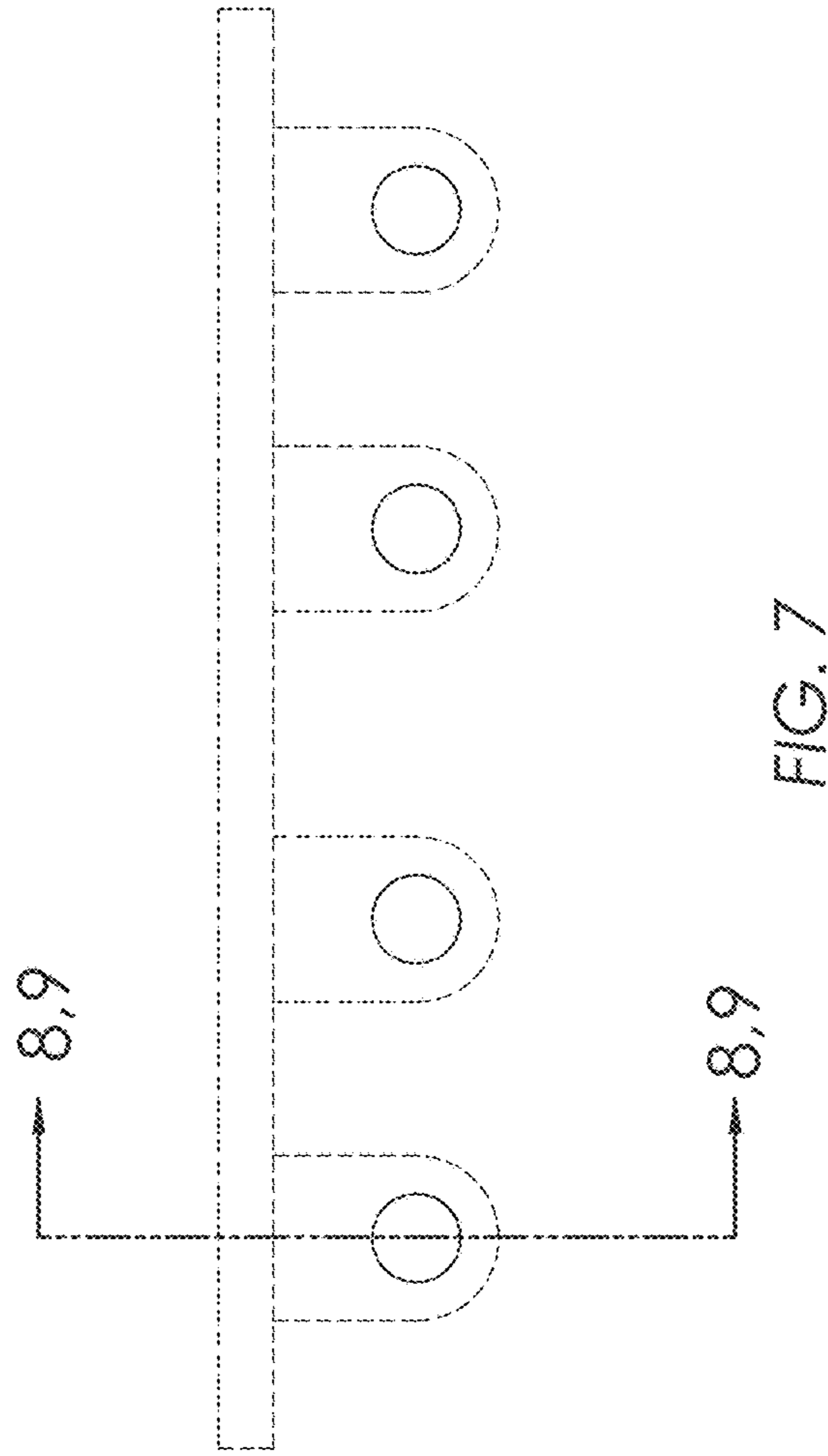


FIG. 8

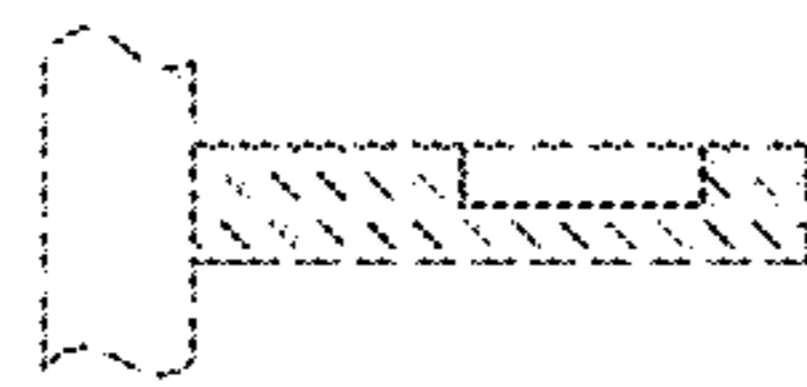


FIG. 9

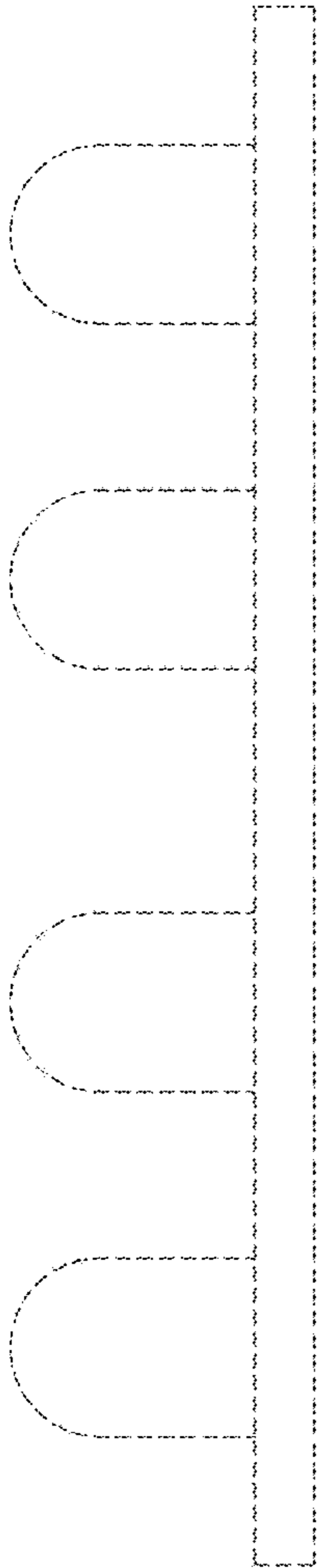


FIG. 10

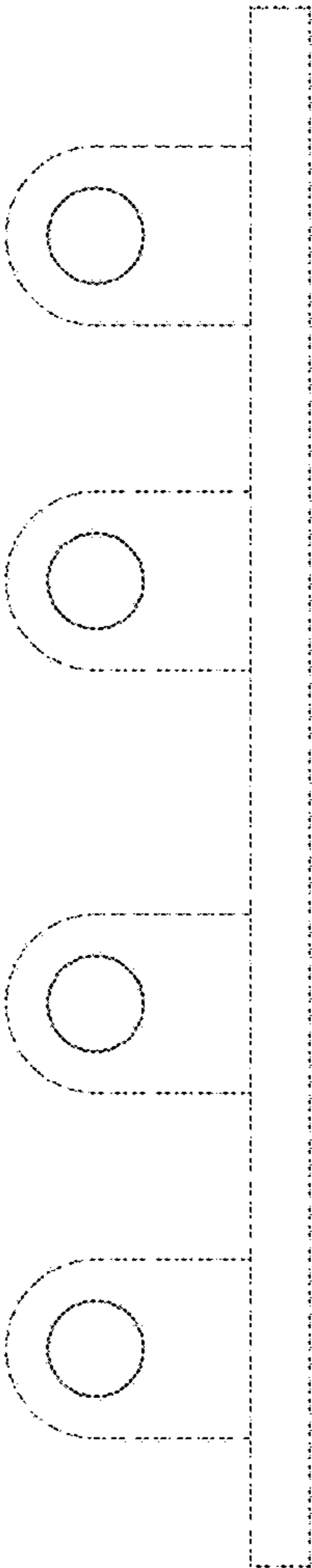


FIG. 11