

US00D848178S

(12) **United States Design Patent**  
**Karataş**

(10) **Patent No.:** **US D848,178 S**

(45) **Date of Patent:** **\*\* May 14, 2019**

- (54) **TRAY FOR A SHOWER CADDY**
- (71) Applicant: **ANSAN Metal ve Plastik Sanayi ve Ticaret Limited Sirketi**, Kirac  
Esenyurt-Istanbul (TR)
- (72) Inventor: **Hakan Karataş**, Kirac  
Esenyurt-Istanbul (TR)
- (73) Assignee: **ANSAN METAL VE PLASTIK SANAYI VE TICARET LIMITED SIRKETI**, Kirac Esenyurt-Istanbul (TR)

- D421,867 S \* 3/2000 Carville ..... D6/525
- D462,552 S \* 9/2002 Emery ..... D6/525
- D569,148 S \* 5/2008 Yang ..... D6/525
- D572,060 S \* 7/2008 Snider ..... D6/525
- D574,650 S \* 8/2008 Snider ..... D6/525
- D652,237 S \* 1/2012 Cittadino ..... D6/562
- D805,319 S \* 12/2017 Kwiatkowski ..... D6/525

\* cited by examiner

*Primary Examiner* — Wan Laymon  
*Assistant Examiner* — Mark Booker

(74) *Attorney, Agent, or Firm* — Ladas & Parry LLP

(\*\*) Term: **15 Years**

(21) Appl. No.: **29/621,926**

(22) Filed: **Oct. 12, 2017**

(51) **LOC (11) Cl.** ..... **23-02**

(52) **U.S. Cl.**  
USPC ..... **D6/525**

(58) **Field of Classification Search**  
 USPC ..... D6/525, 320, 524, 533, 536; D7/637;  
 D32/55; 211/13.1, 71.01, 74, 75, 86.01,  
 211/87.01, 88.01, 90.01, 90.03, 106, 119,  
 211/126.1, 133.5, 134, 181.1;  
 248/206.2–206.3  
 CPC ..... A47K 17/00; A47K 3/28; A47K 3/001;  
 A47K 1/00; A47K 3/00; A47K 5/03;  
 A47K 7/02; A47K 2201/02; A47B 57/26;  
 A47B 57/56; A47B 57/02; A47B 96/002;  
 A47B 95/008; A47B 96/024; F16B 47/00;  
 F16B 11/006; A46B 2200/1006  
 See application file for complete search history.

(56) **References Cited**

**U.S. PATENT DOCUMENTS**

- D417,107 S \* 11/1999 Patel ..... D6/562
- D421,692 S \* 3/2000 Wojtowicz ..... D6/525

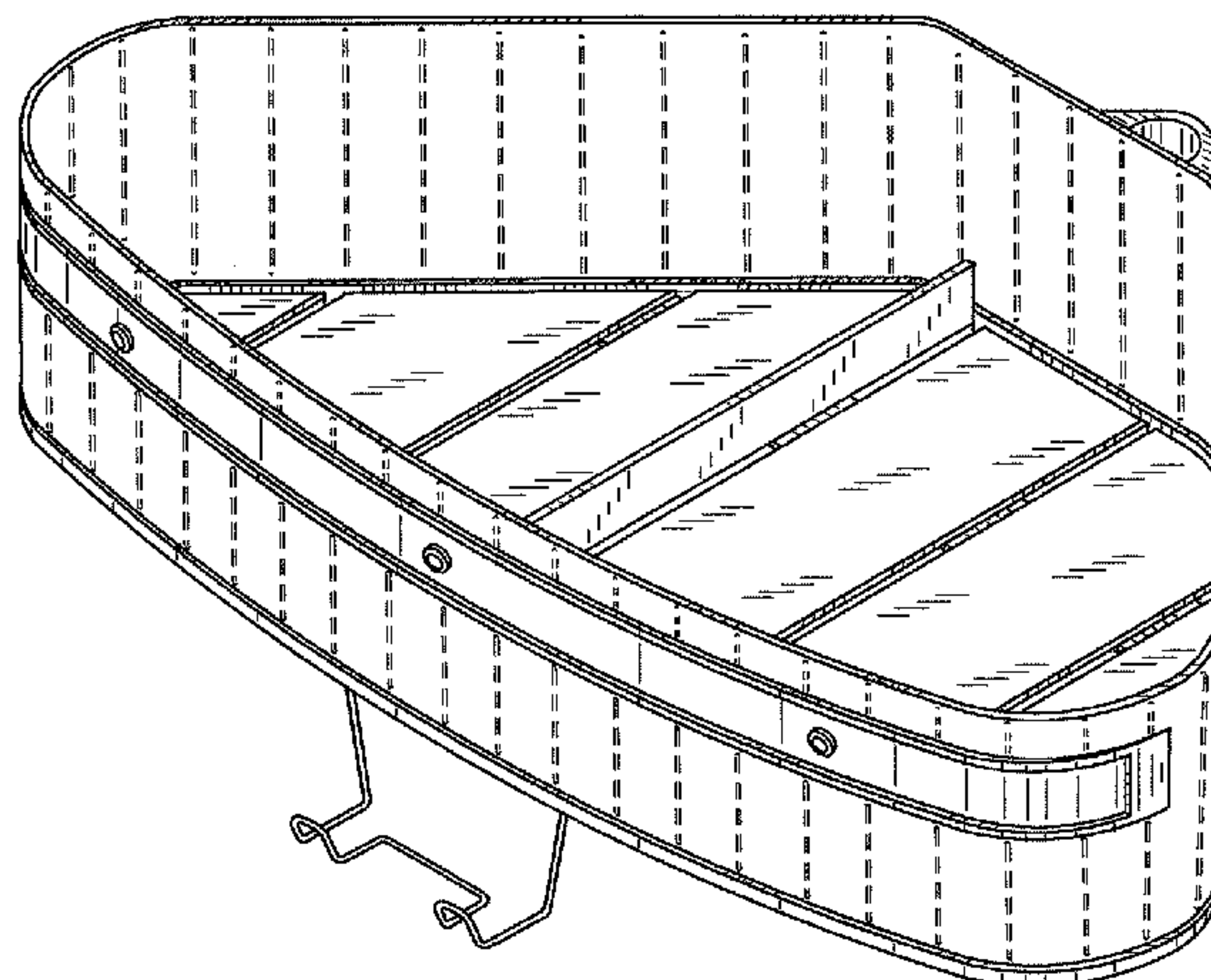
(57) **CLAIM**

The ornamental design for a tray for a shower caddy, as shown and described.

**DESCRIPTION**

FIG. 1 is a front-left perspective view of a tray for a shower caddy of the claimed design;  
 FIG. 2 is a front view of the tray for a shower caddy of FIG. 1;  
 FIG. 3 is a rear view of the tray for a shower caddy of FIG. 1;  
 FIG. 4 is a bottom view of the tray for a shower caddy of FIG. 1;  
 FIG. 5 is a top view of the tray for a shower caddy of FIG. 1;  
 FIG. 6 is a left side view of the tray for a shower caddy of FIG. 1;  
 FIG. 7 is a right side view of the tray for a shower caddy of FIG. 1; and,  
 FIG. 8 is a front-left perspective view of the tray for a shower caddy.  
 The evenly spaced broken lines shown in the figures represent portions of the tray for a shower caddy that form no part of the claimed design and the dot dash broken lines show environment.

**1 Claim, 6 Drawing Sheets**



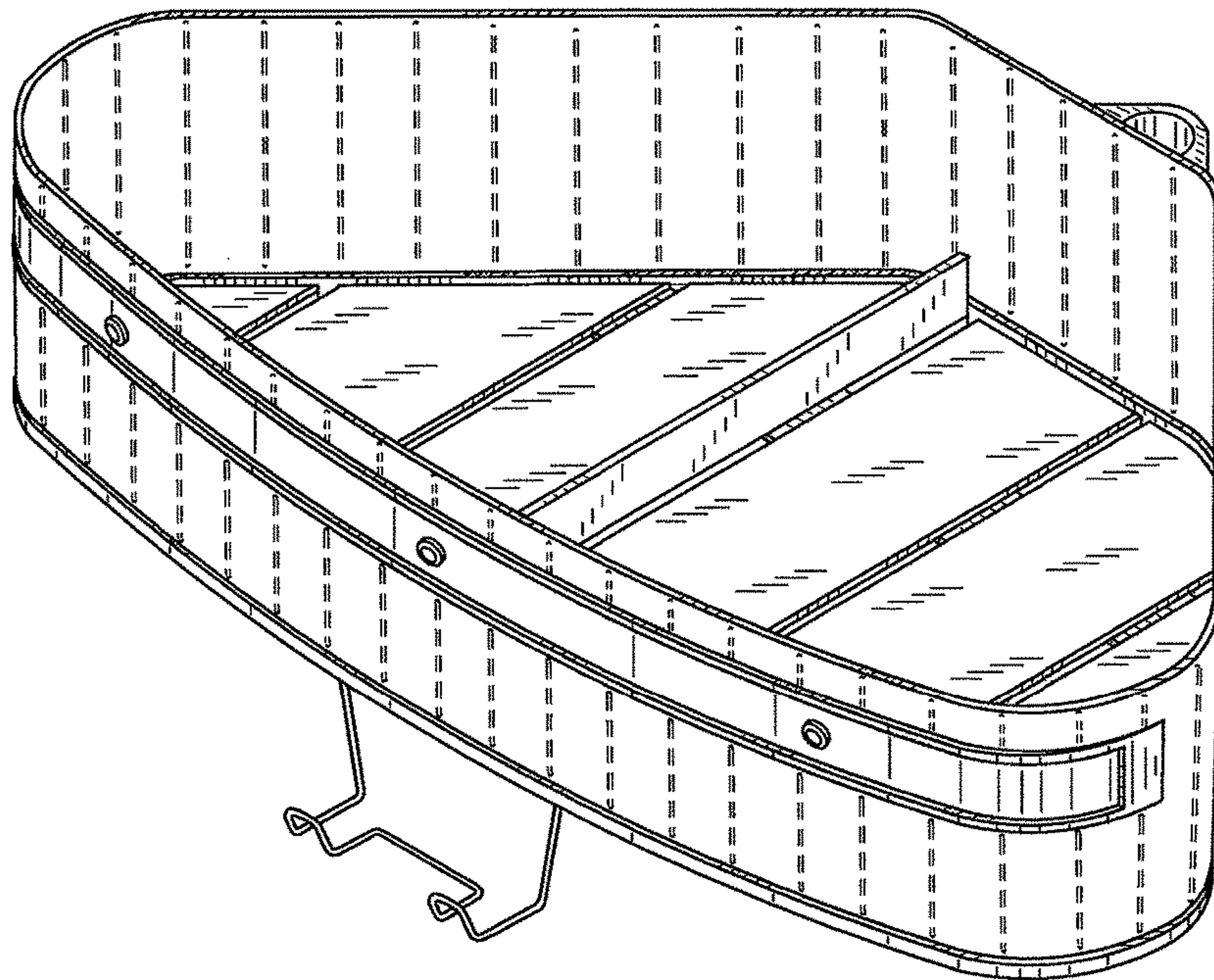


FIG. 1

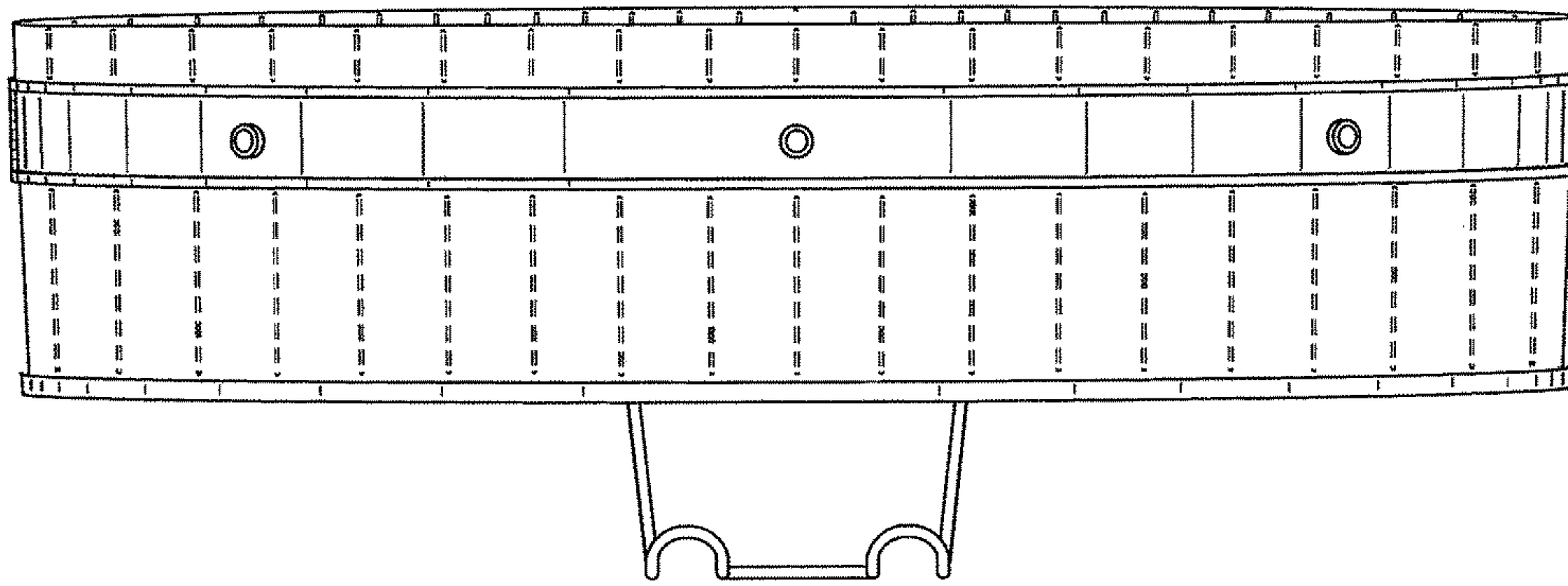


FIG. 2

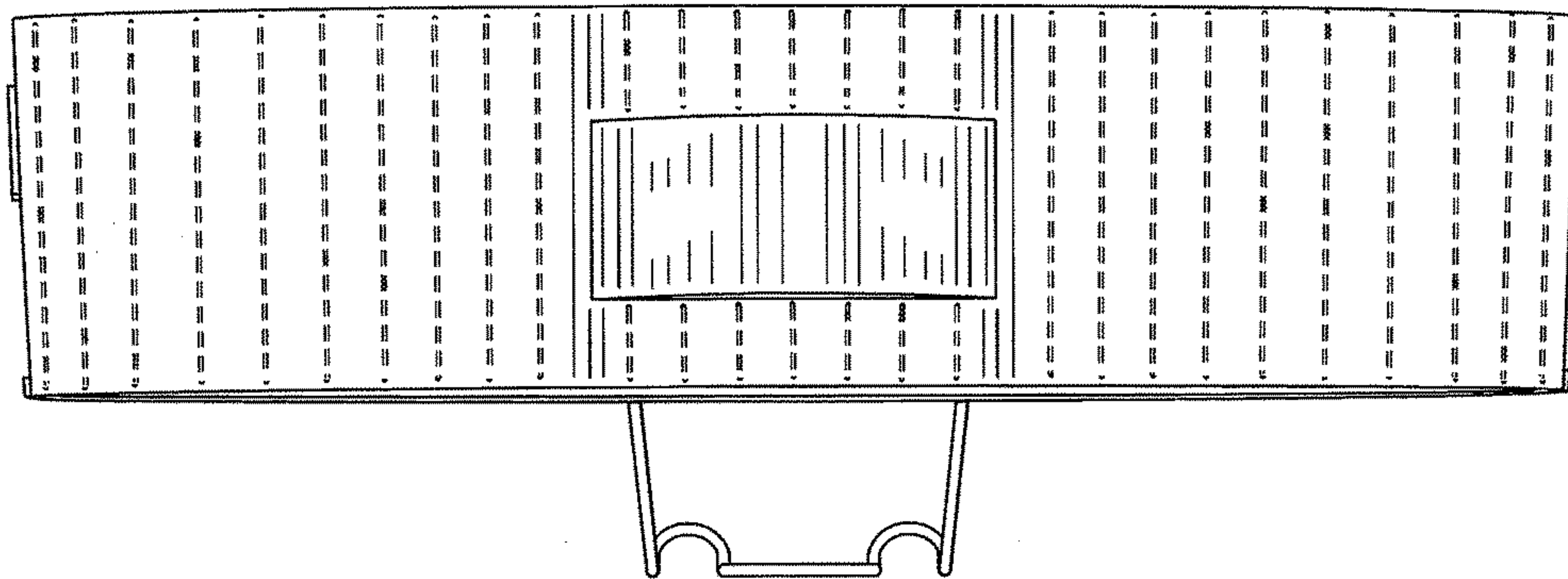


FIG. 3



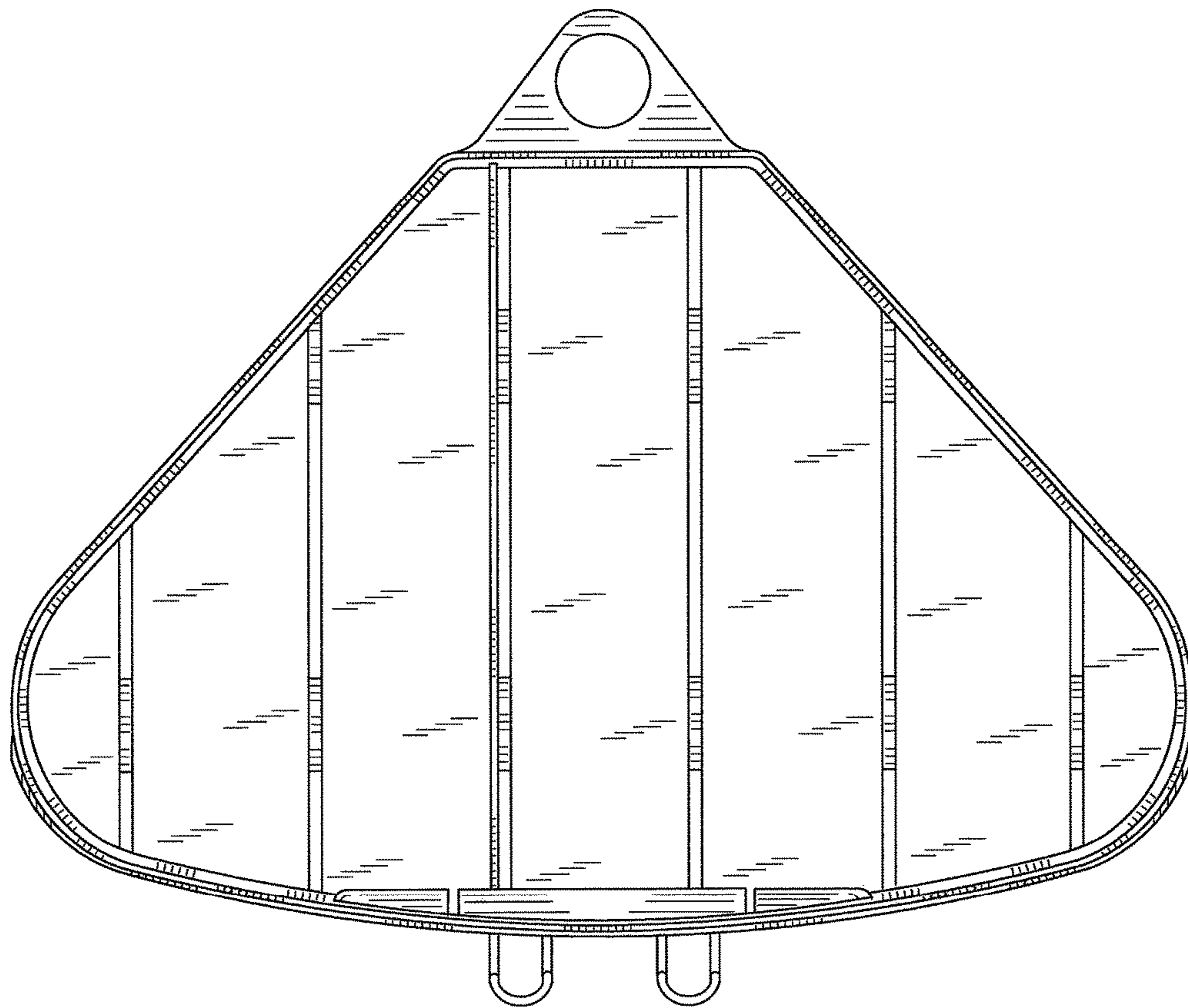


FIG. 4

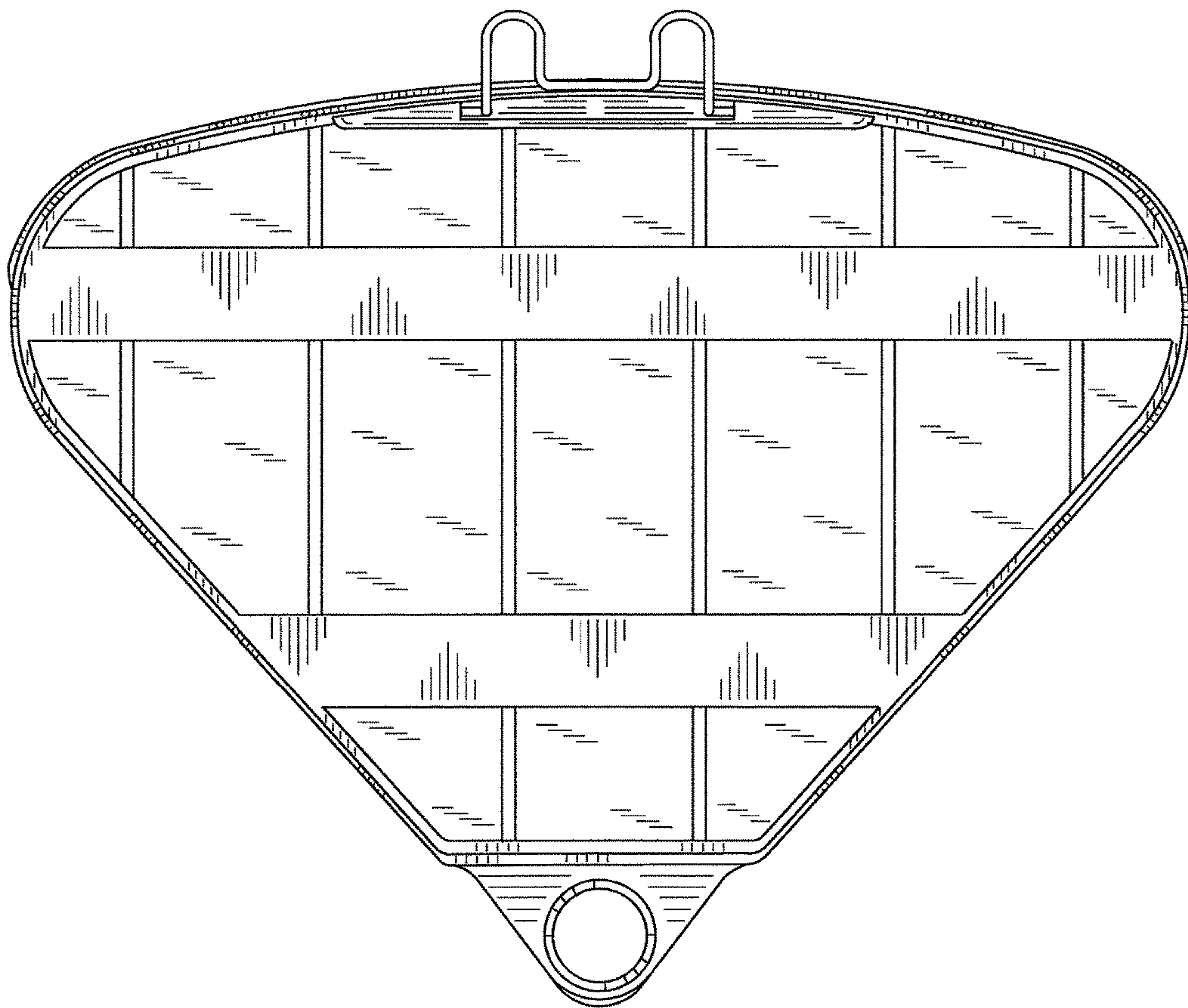


FIG. 5

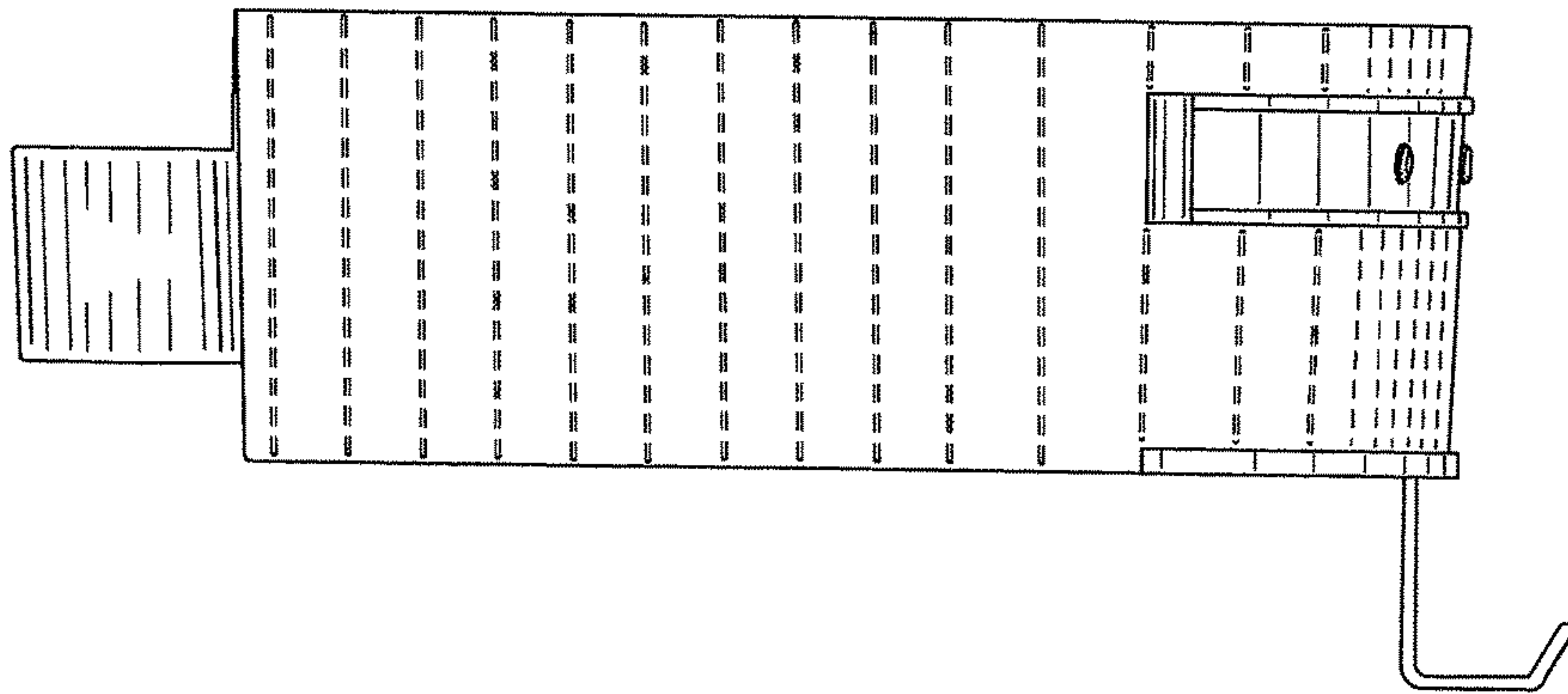


FIG. 6

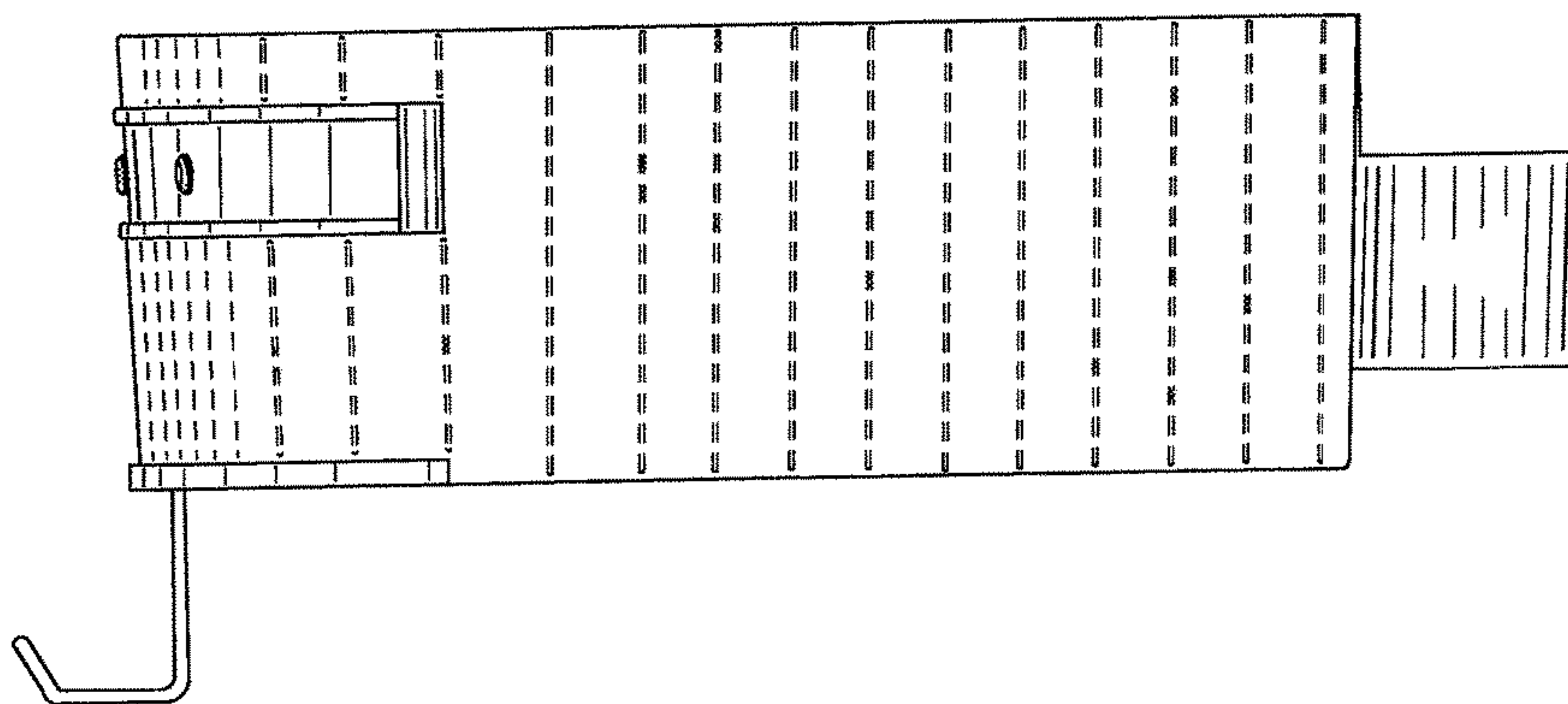


FIG. 7

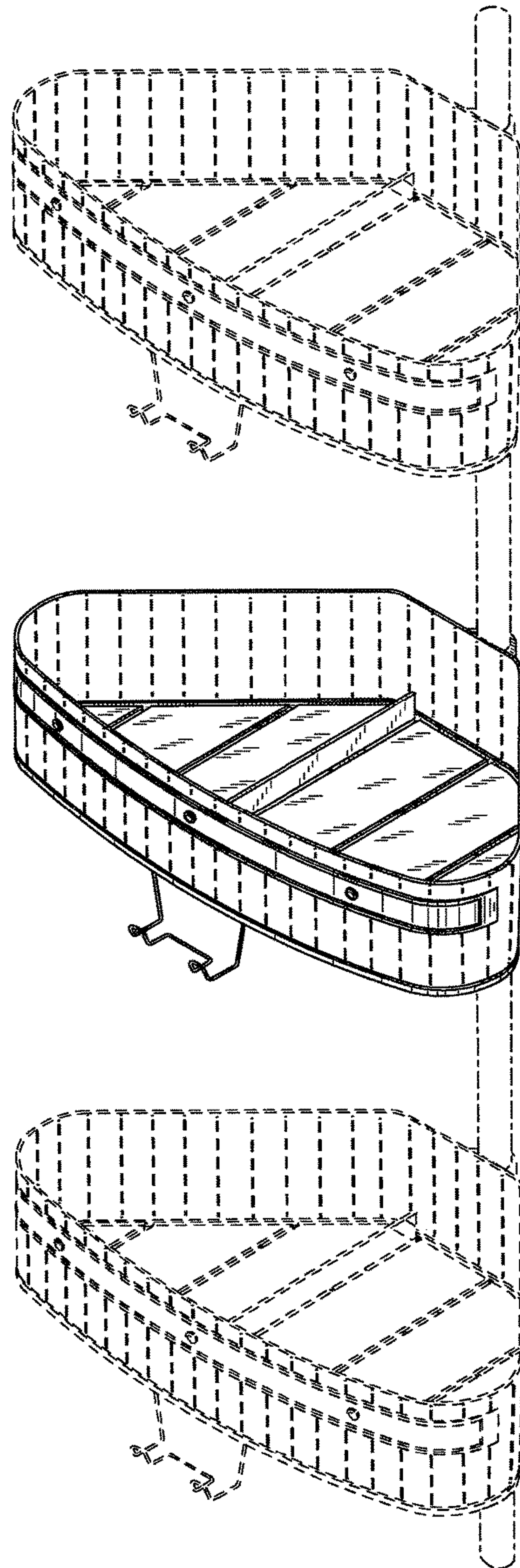


FIG. 8