

US00D848177S

(12) **United States Design Patent Grant** (10) **Patent No.:** **US D848,177 S**  
(45) **Date of Patent:** **\*\* May 14, 2019**

(54) **TISSUE PACK HOLDER**  
(71) Applicant: **Grant Brothers Sales Ltd.,**  
Mississauga (CA)  
(72) Inventor: **John Grant, Mississauga (CA)**  
(73) Assignee: **Grant Brothers Sales Ltd.,**  
Mississauga (CA)

D601,837 S \* 10/2009 Evans ..... D6/553  
D647,340 S \* 10/2011 Stephens ..... D6/518  
D697,394 S \* 1/2014 Lengacher ..... D8/394  
D704,950 S \* 5/2014 Bogner ..... D6/518  
D704,951 S \* 5/2014 Coleman ..... D6/518  
D719,373 S \* 12/2014 Hawry ..... D6/518  
D727,657 S \* 4/2015 Lim ..... D6/553  
D759,503 S \* 6/2016 Terpko ..... D6/515  
2008/0087697 A1\* 4/2008 Hoenig ..... B60R 7/084  
224/275

(\*\*) Term: **15 Years**  
(21) Appl. No.: **29/611,274**  
(22) Filed: **Jul. 20, 2017**

\* cited by examiner

*Primary Examiner* — David G Muller  
*Assistant Examiner* — Nathan M Johnston  
(74) *Attorney, Agent, or Firm* — McMillan LLP

(30) **Foreign Application Priority Data**  
Jan. 20, 2017 (CA) ..... 172672  
(51) **LOC (11) Cl.** ..... **20-02**  
(52) **U.S. Cl.**  
USPC ..... **D6/518**  
(58) **Field of Classification Search**  
USPC ..... D6/518–524, 546–550; 248/175, 176.1,  
248/251, 302; 211/13.1, 16, 60.1, 86.01,  
211/87.01, 88.01, 88.04, 100, 105.1,  
211/105.2, 123, 181.1, 182; 242/570,  
242/590, 595–598, 597.7; 108/28–29;  
D8/300, 303, 315–321; 16/110.1, 415;  
220/216  
CPC ..... A47K 10/38; A47K 2010/3266; A47K  
2010/3253; A47K 10/421; B65D 83/0805  
See application file for complete search history.

(57) **CLAIM**

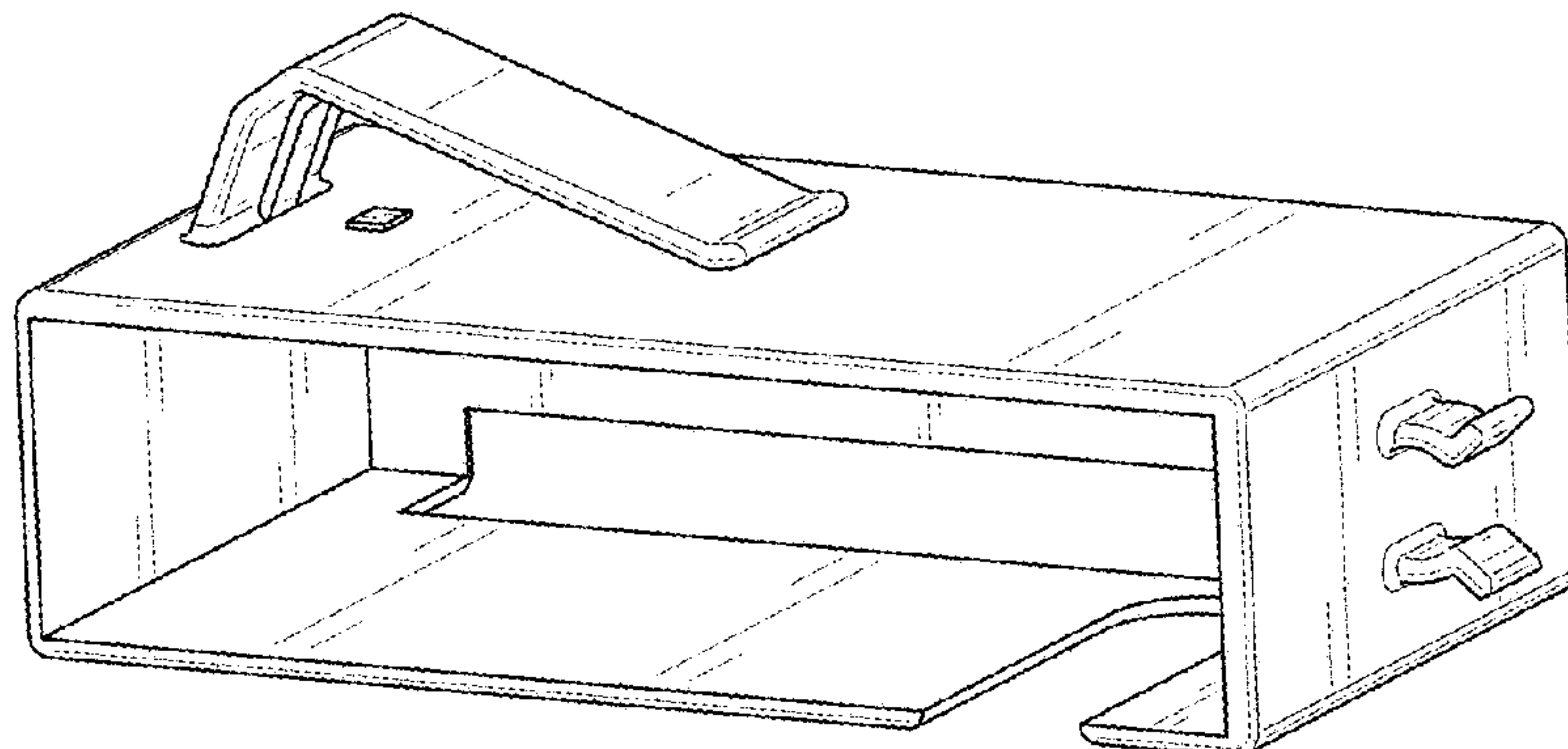
The ornamental design for the tissue pack holder, as shown and described.

**DESCRIPTION**

FIG. 1 is a front right perspective view of a tissue pack holder showing my new design.  
FIG. 2 is a front perspective view thereof.  
FIG. 3 is a front bottom perspective view thereof.  
FIG. 4 is a rear left perspective view thereof.  
FIG. 5 is a rear perspective view thereof.  
FIG. 6 is a left perspective view thereof.  
FIG. 7 is a bottom plan view thereof shown in use.  
FIG. 8 is a rear elevation view thereof shown in use.  
FIG. 9 is a front elevation view thereof.  
FIG. 10 is a rear elevation view thereof.  
FIG. 11 is a left elevation view thereof.  
FIG. 12 is a right elevation view thereof.  
FIG. 13 is a top plan view thereof; and,  
FIG. 14 is a bottom plan view thereof.  
The features shown in dot dash lines depict environmental subject matter only and form no part of the claimed design.

(56) **References Cited**  
U.S. PATENT DOCUMENTS  
D293,182 S \* 12/1987 Carter ..... D6/518  
D365,232 S \* 12/1995 Briault ..... D11/156  
D365,233 S \* 12/1995 Huculak ..... D6/513  
7,185,865 B1 \* 3/2007 Patrick ..... A47K 10/185  
211/71.01

**1 Claim, 12 Drawing Sheets**



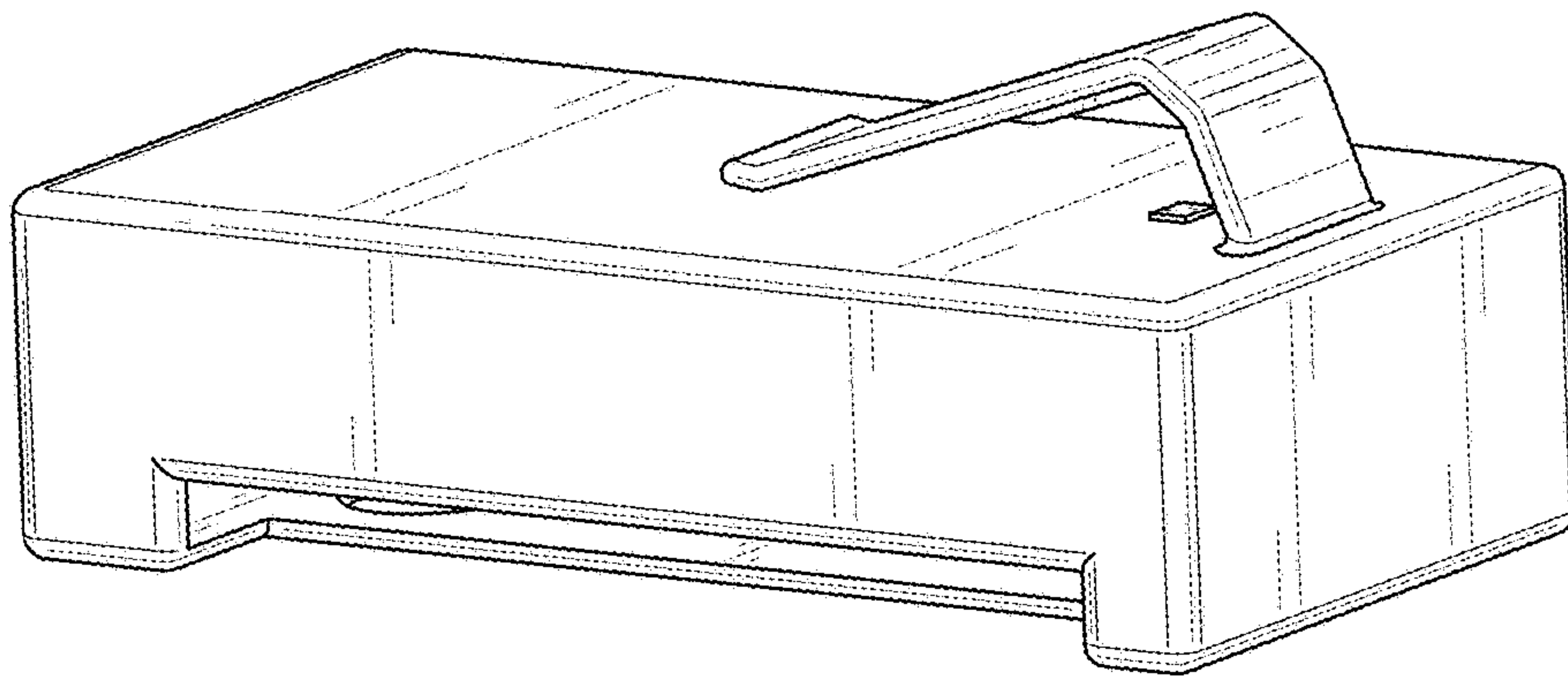


FIG. 1

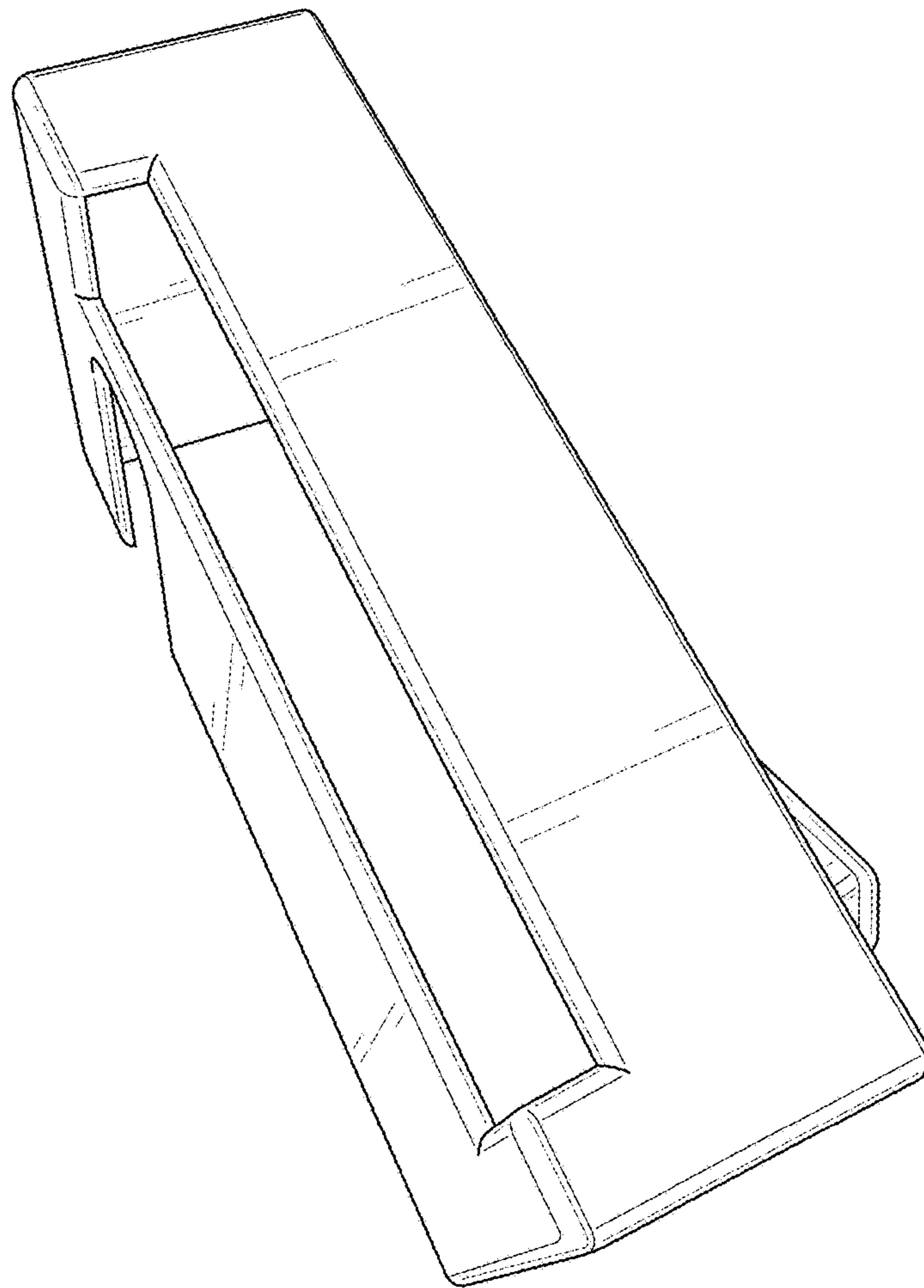


FIG. 2

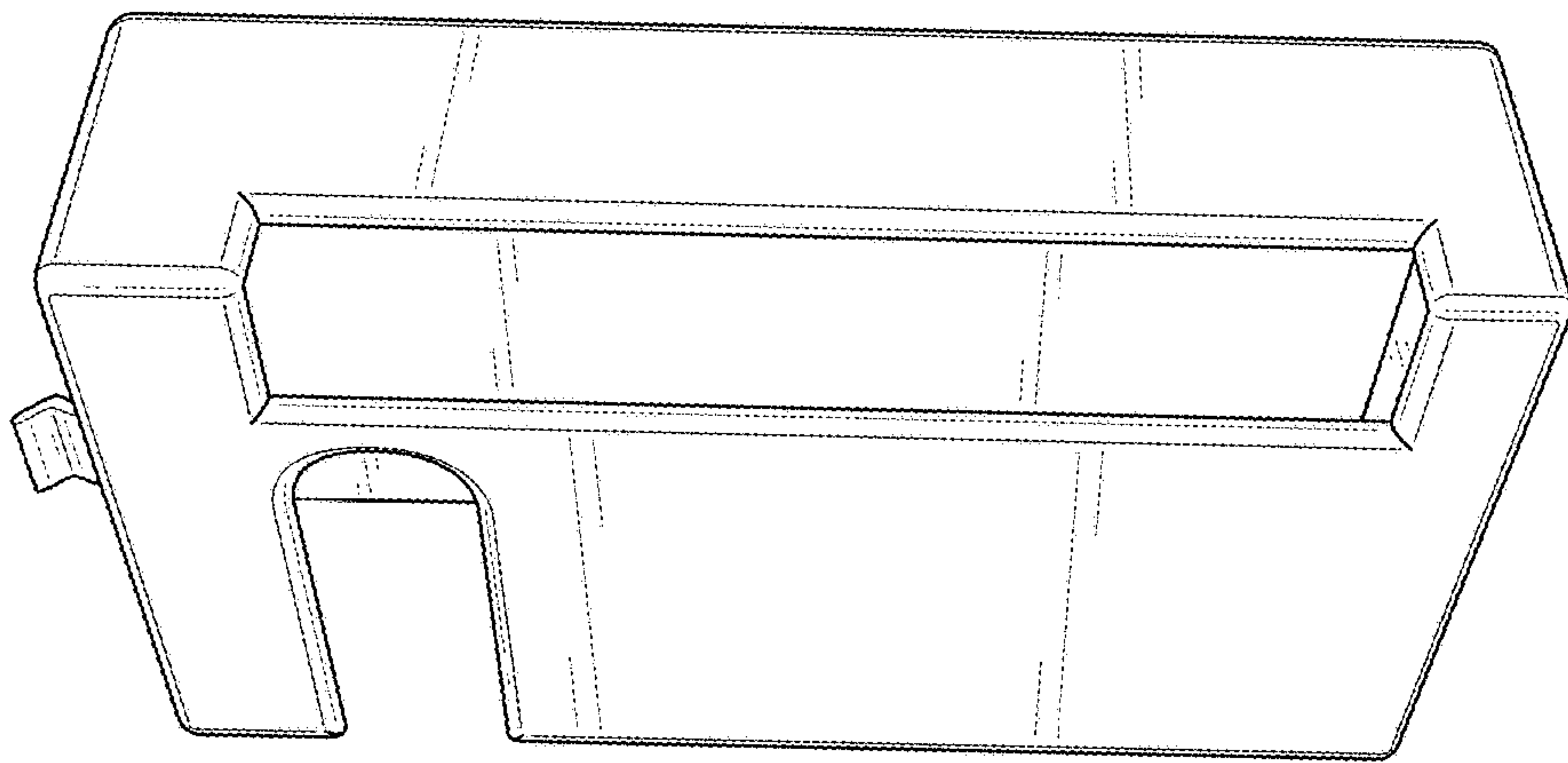


FIG. 3

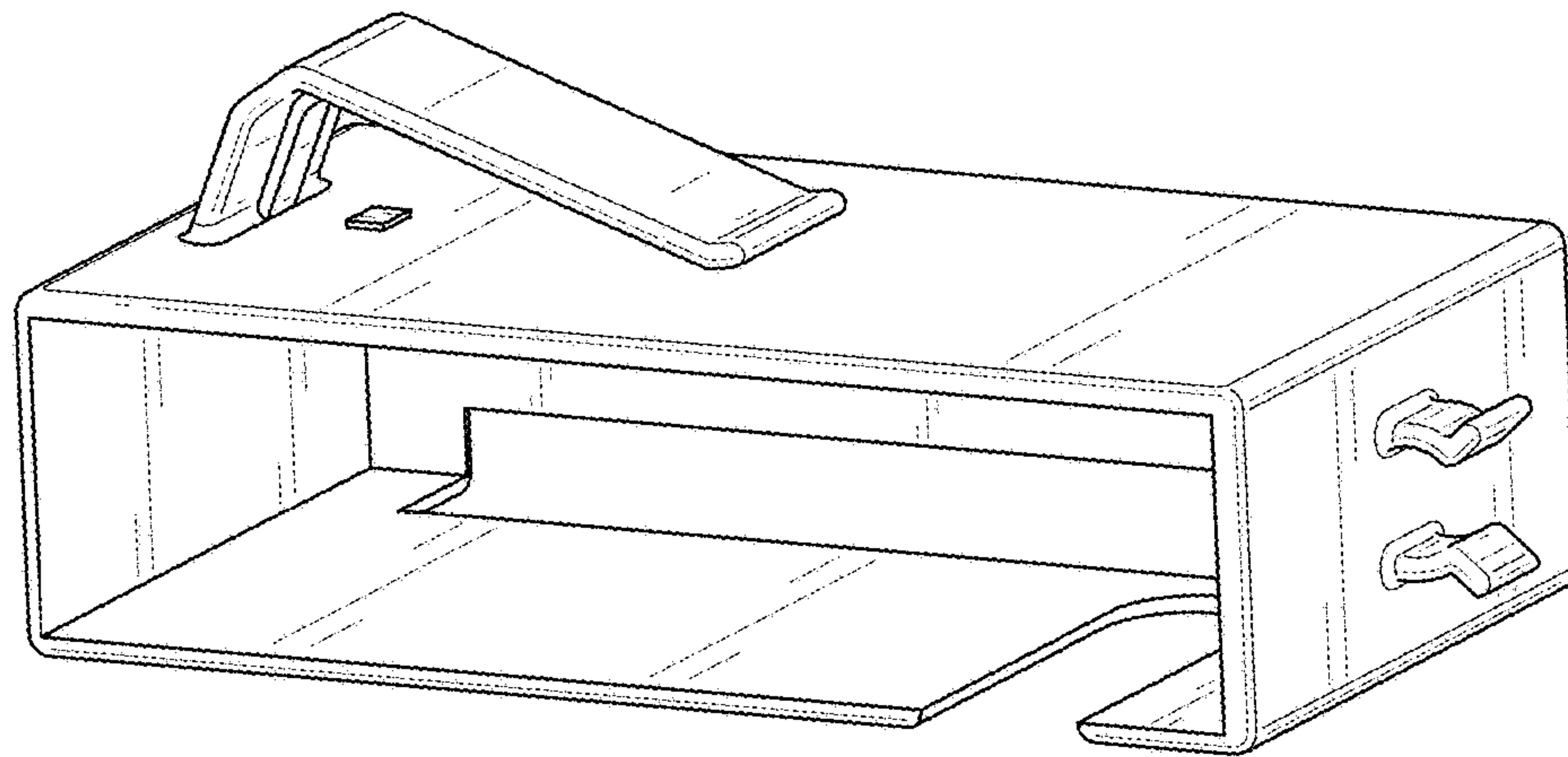


FIG. 4

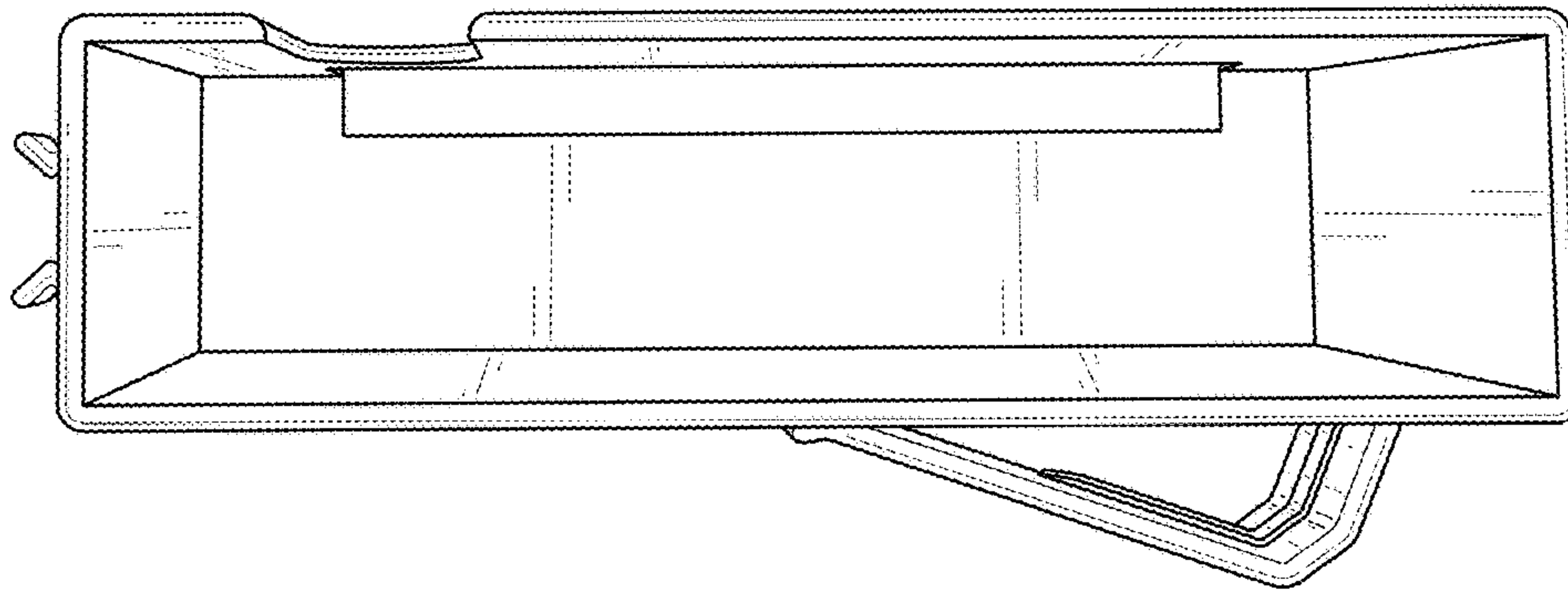


FIG. 5



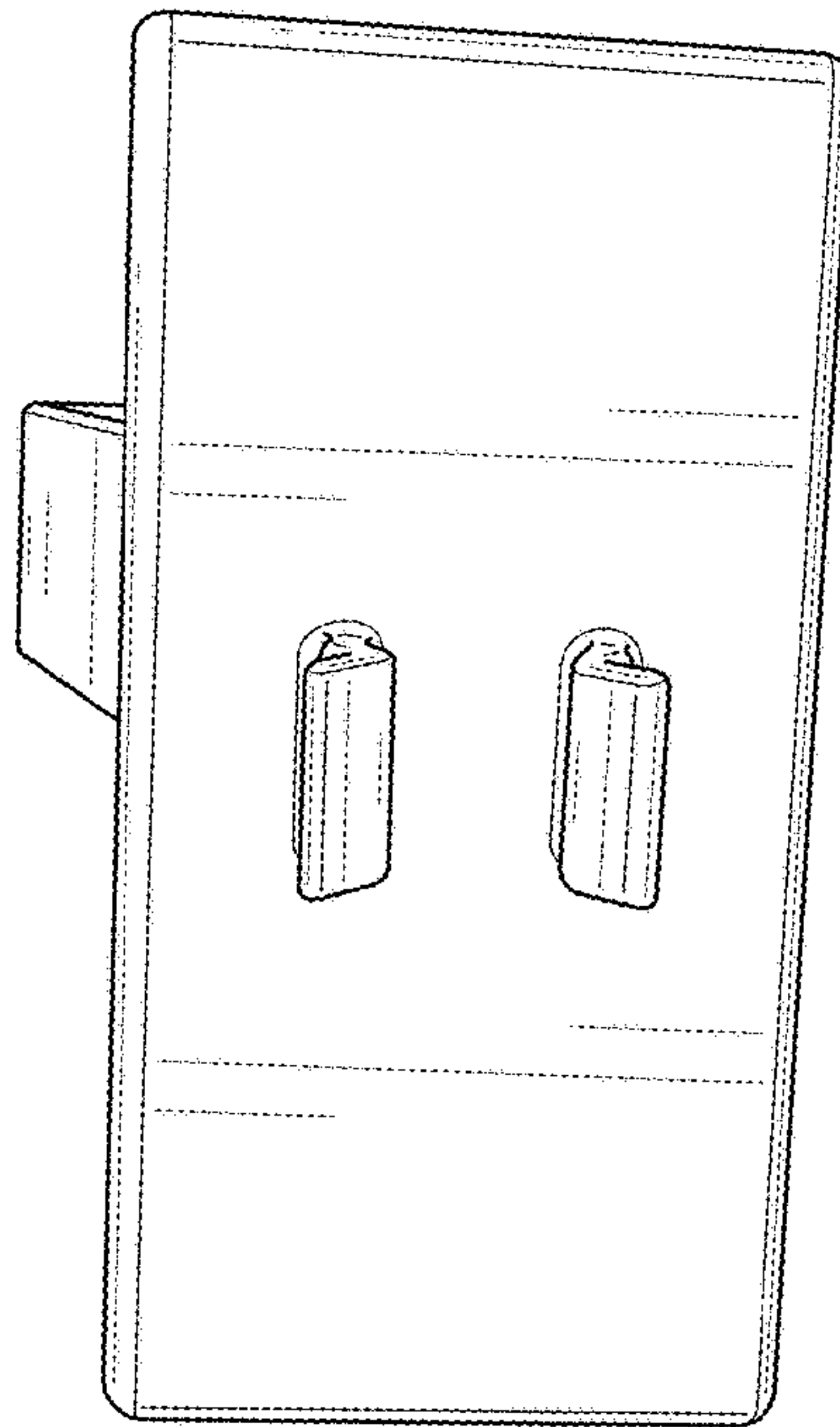


FIG. 6

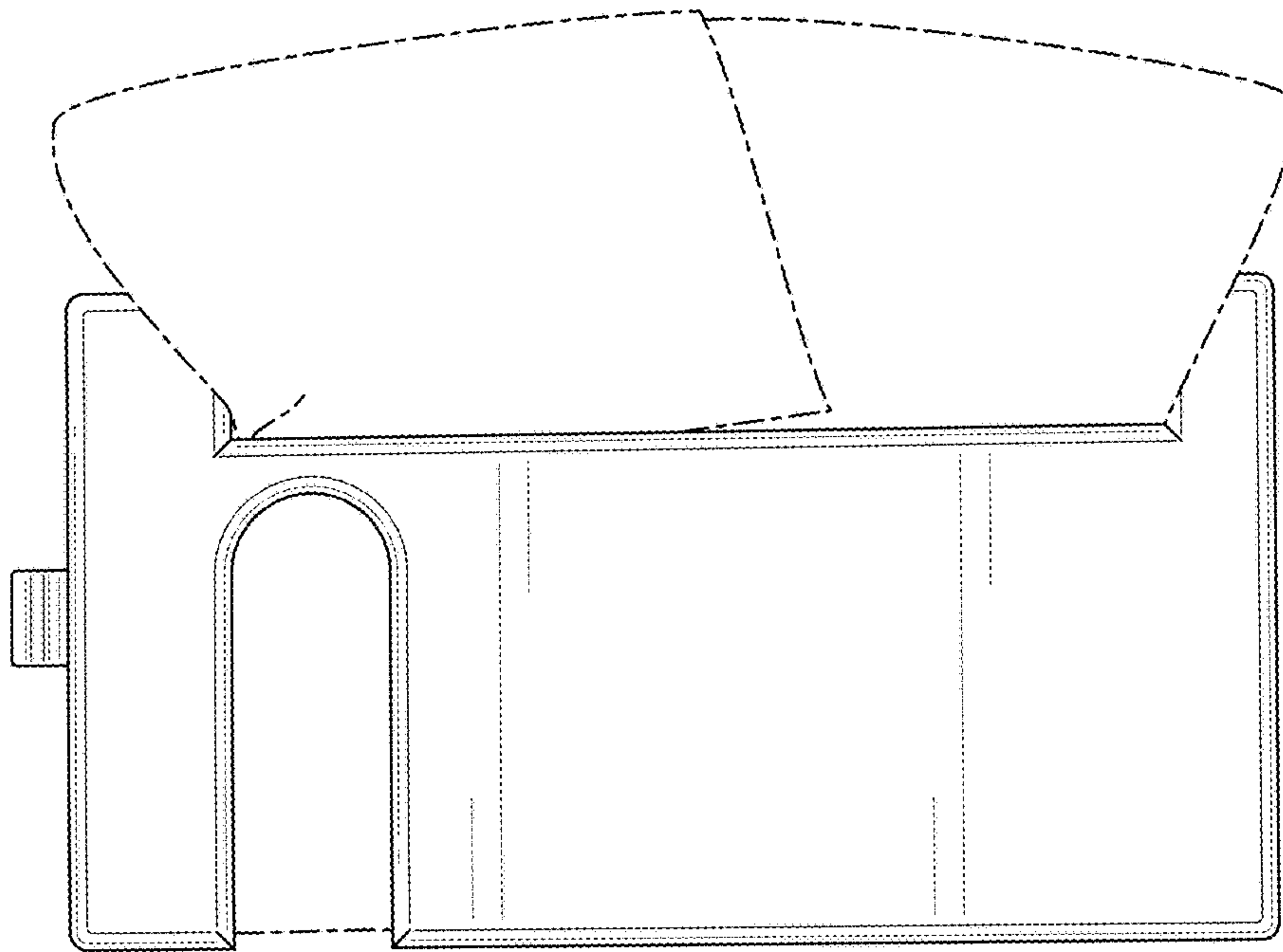


FIG. 7



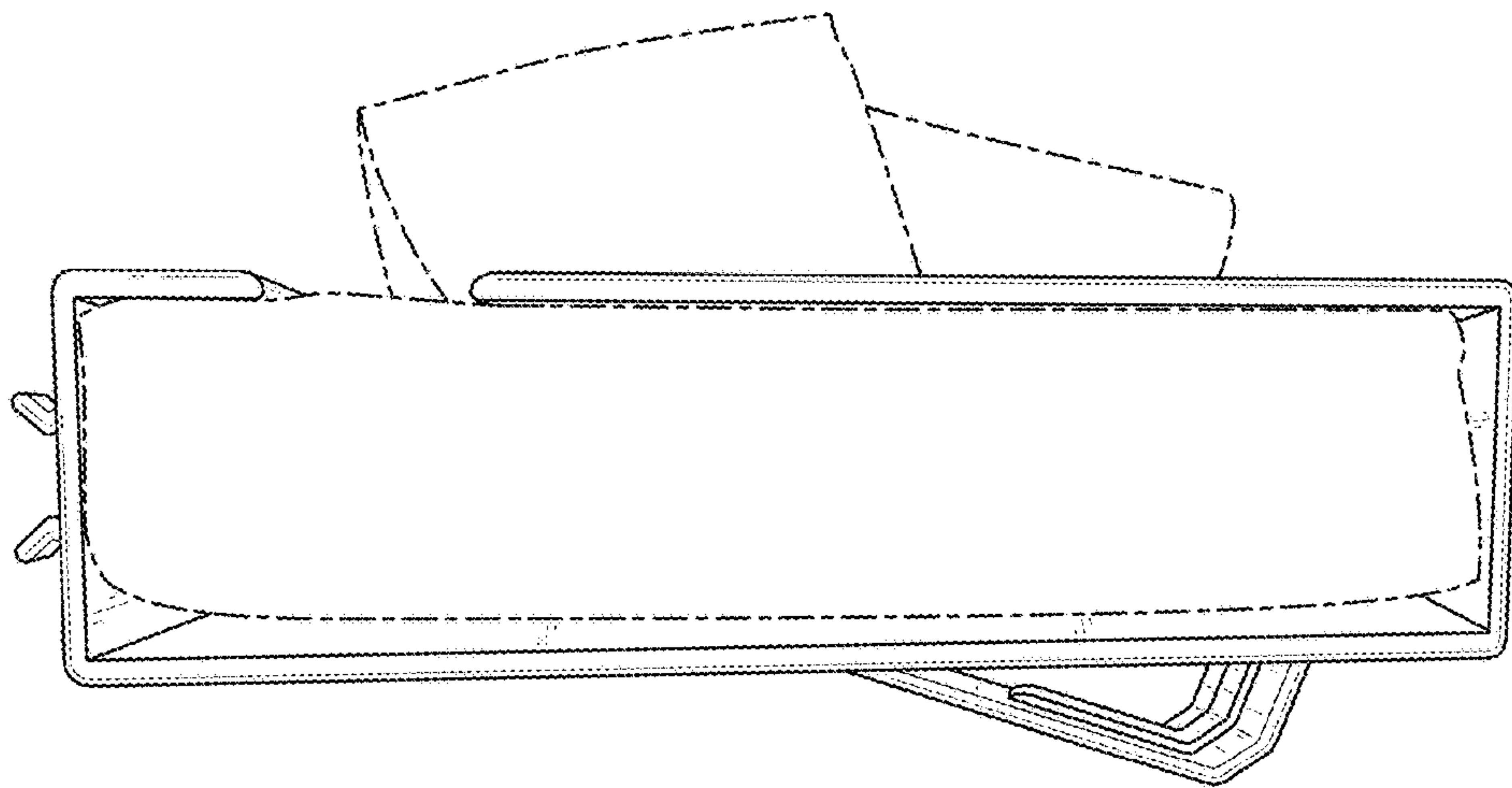


FIG. 8

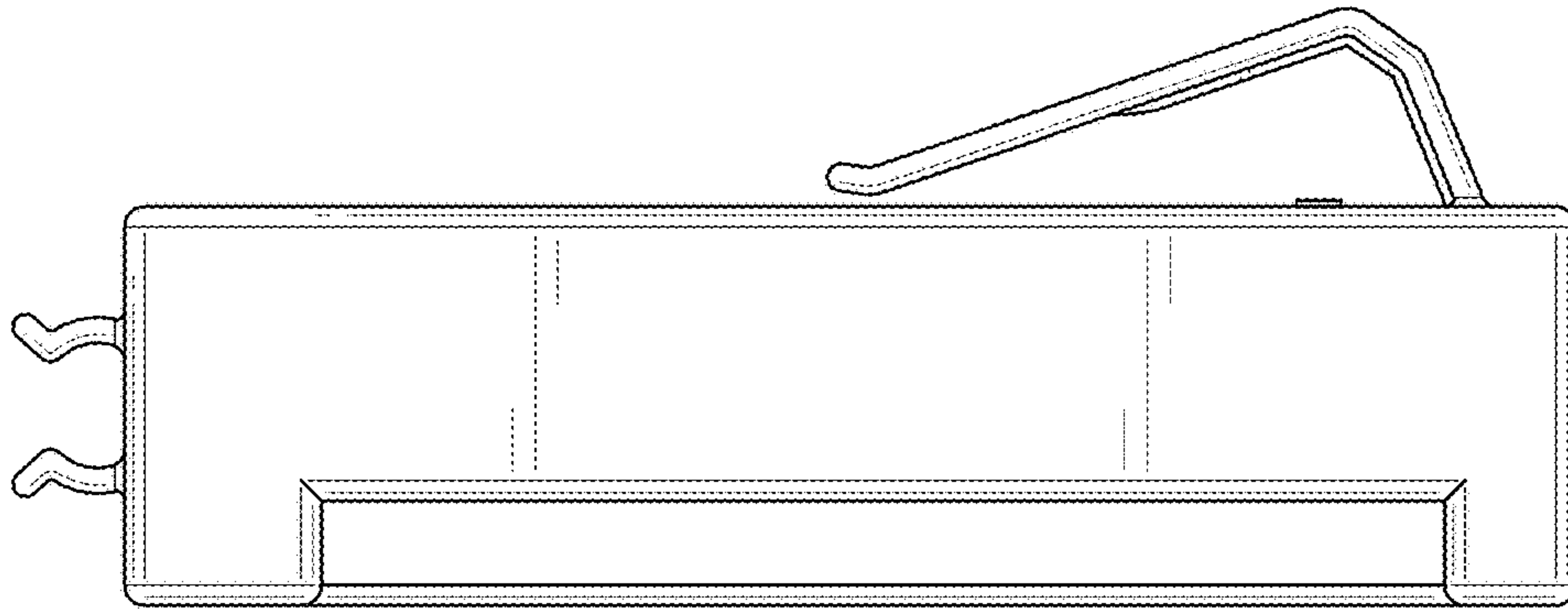


FIG. 9

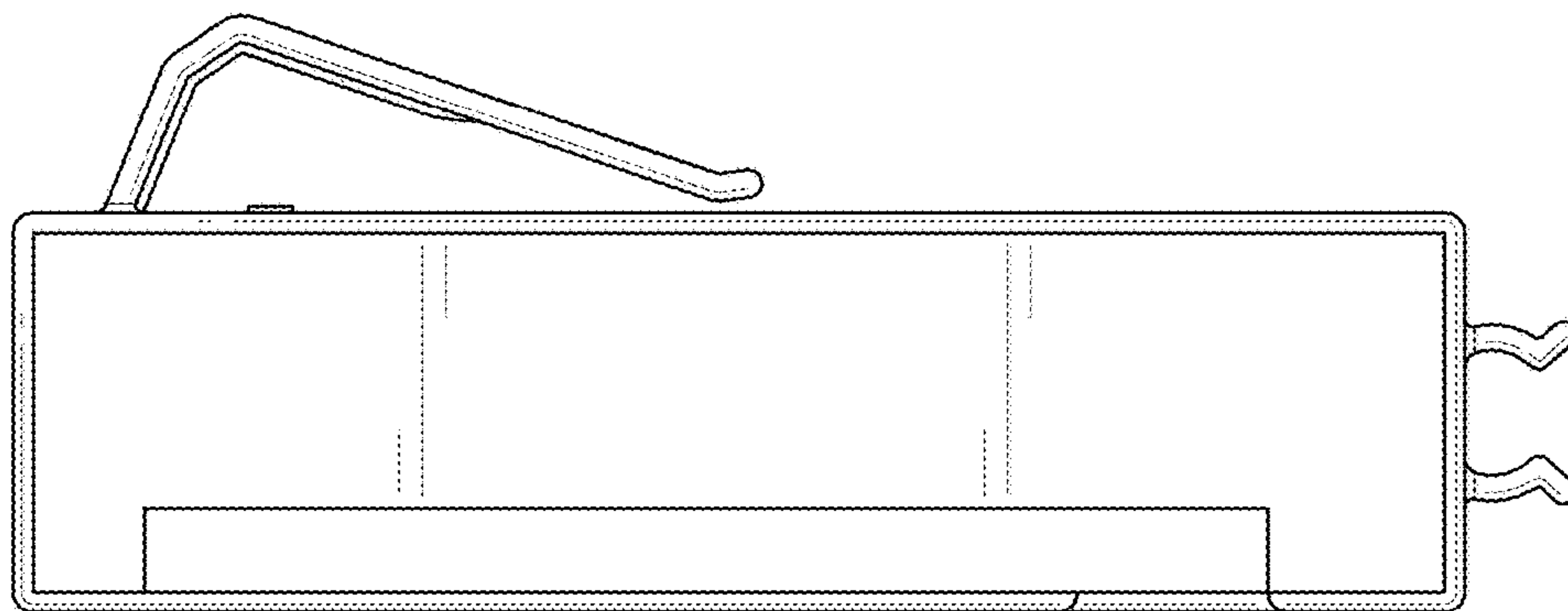


FIG. 10

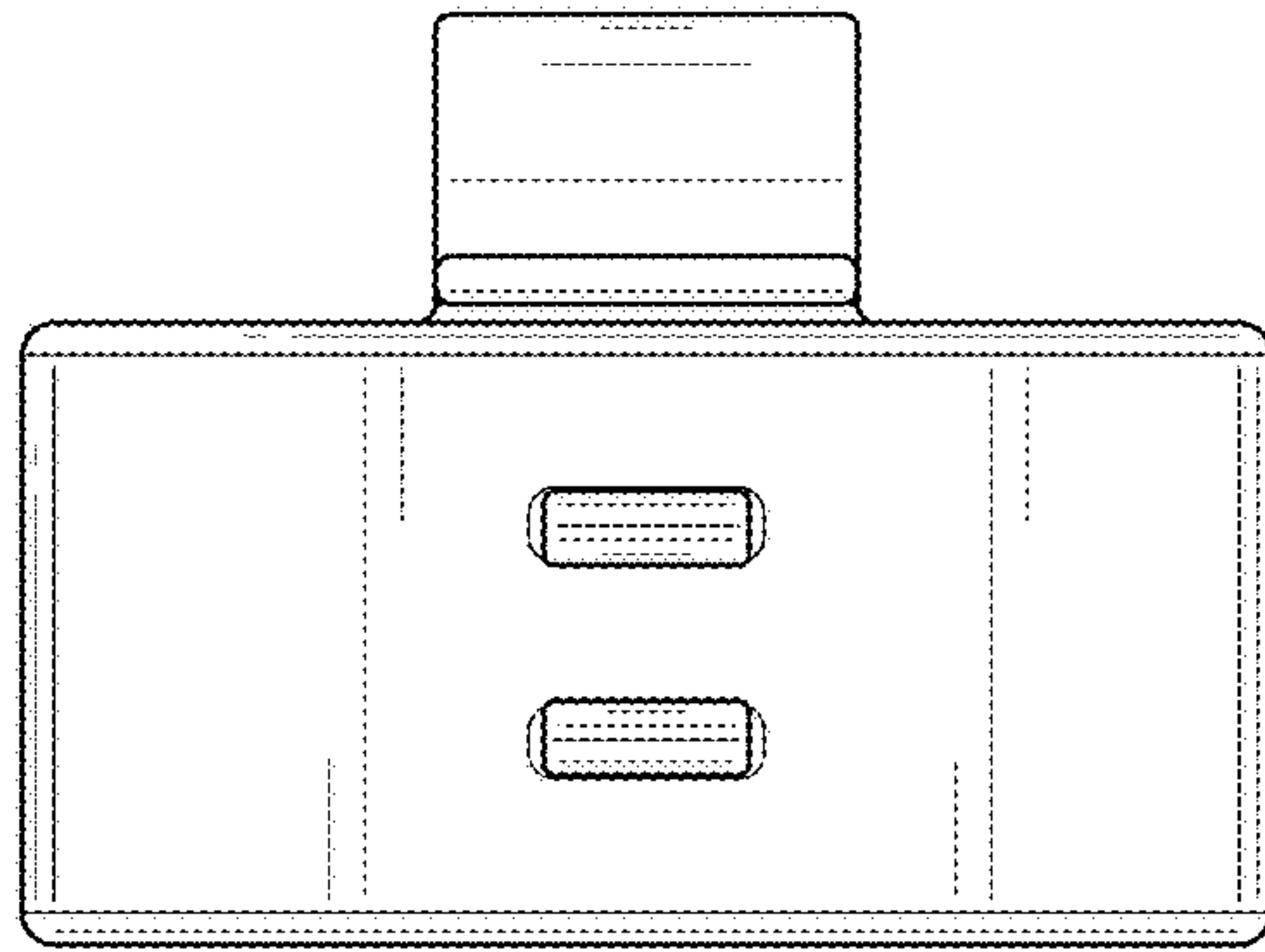


FIG. 11

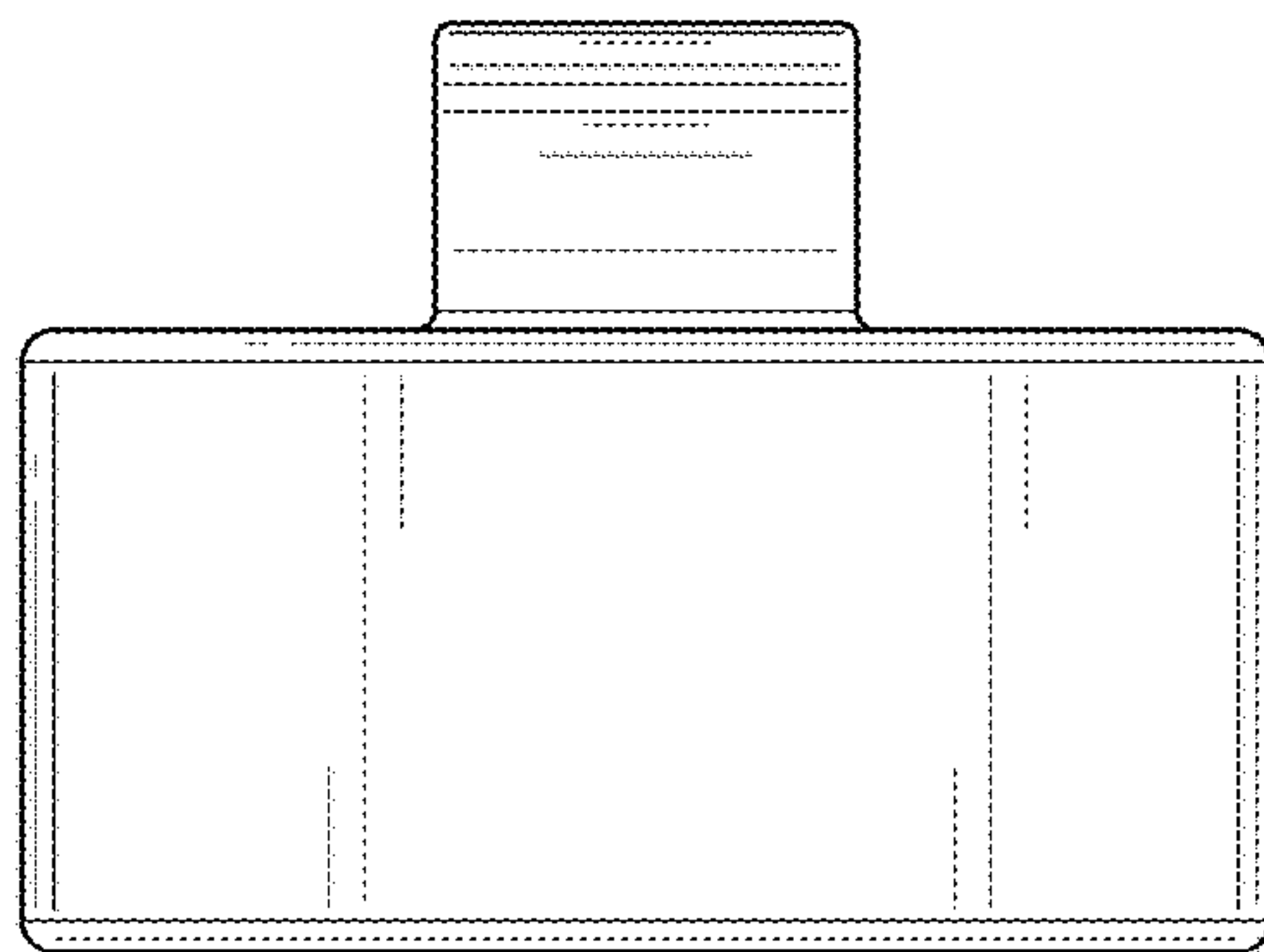


FIG. 12

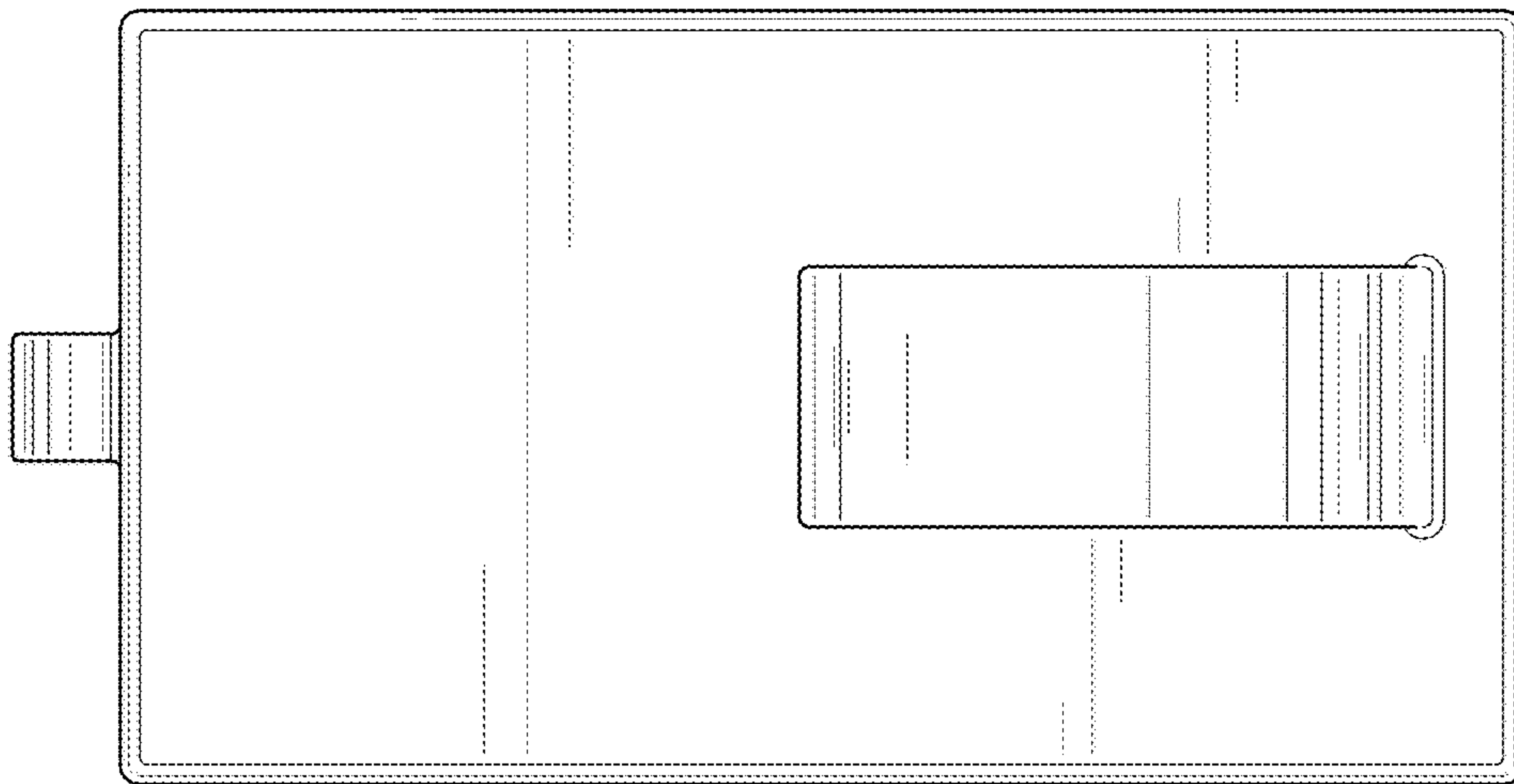


FIG. 13

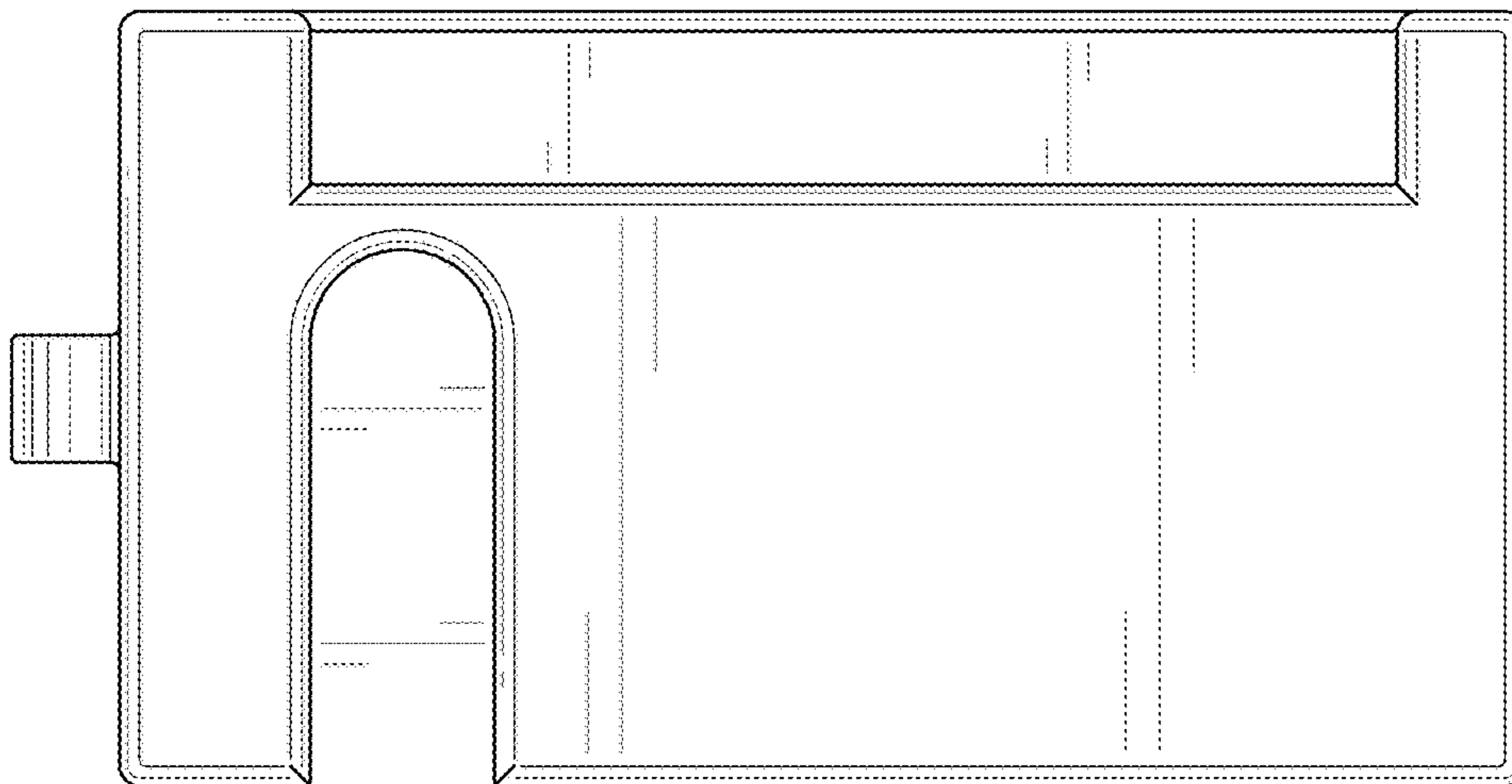


FIG. 14