



US00D848176S

(12) **United States Design Patent**
Christiansen

(10) **Patent No.:** **US D848,176 S**

(45) **Date of Patent:** **** May 14, 2019**

(54) **BED FRAME**

(71) Applicant: **TUFT & NEEDLE, LLC**, Phoenix, AZ
(US)

(72) Inventor: **Levi Matthew Christiansen**, Phoenix,
AZ (US)

(73) Assignee: **TUFT & NEEDLE, LLC**, Phoenix, AZ
(US)

(**) Term: **15 Years**

(21) Appl. No.: **29/615,899**

(22) Filed: **Aug. 31, 2017**

(51) **LOC (11) Cl.** **06-02**

(52) **U.S. Cl.**
USPC **D6/393**

(58) **Field of Classification Search**
USPC D6/382–384, 392–395
CPC A47C 19/00; A47C 19/005; A47C 19/021;
A47C 19/022; A47C 19/024
See application file for complete search history.

(56) **References Cited**

U.S. PATENT DOCUMENTS

D165,074 S * 11/1951 Herrmann D6/394
D178,851 S * 9/1956 van Koert D6/393

D451,696 S * 12/2001 Boerner D6/393
D564,779 S * 3/2008 Novak D6/393
D575,076 S * 8/2008 Bacon D6/393
D608,560 S * 1/2010 Chen D6/384
D812,393 S * 3/2018 Karschnik D6/382

* cited by examiner

Primary Examiner — Cathron C Brooks

(74) *Attorney, Agent, or Firm* — Arent Fox LLP

(57) **CLAIM**

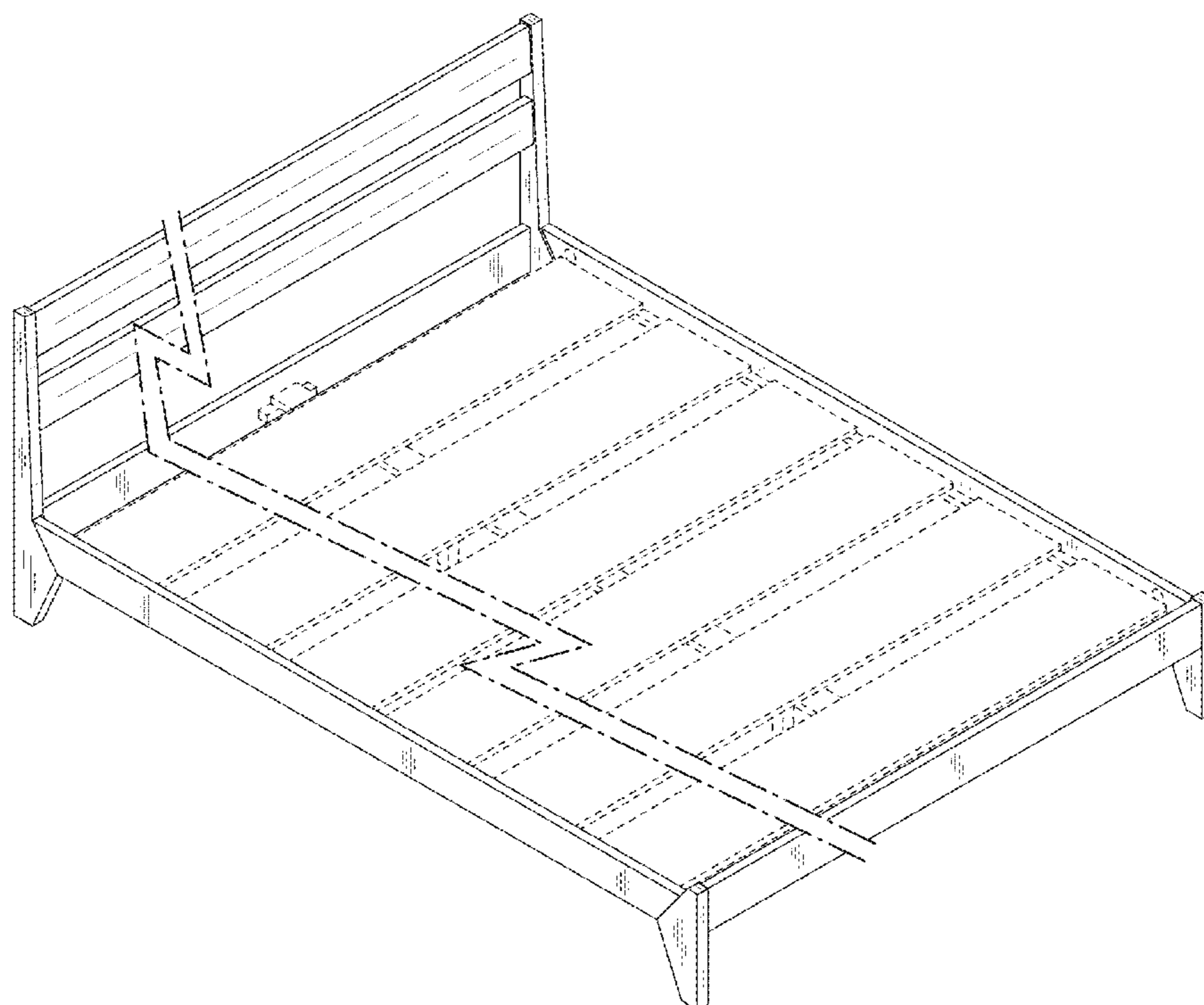
The ornamental design for a bed frame, as shown and described.

DESCRIPTION

FIG. 1 is a top front left perspective view of a first embodiment of a bed frame showing my new design; FIG. 2 is a front view of the design shown of FIG. 1; FIG. 3 is a back view of the design shown of FIG. 1; FIG. 4 is a left side view of the design shown of FIG. 1; FIG. 5 is a right side view of the design shown of FIG. 1; FIG. 6 is a top view of the design shown of FIG. 1; and, FIG. 7 is a bottom view of the design shown of FIG. 1.

The break lines shown in the middle portion of the bed frame in the Figures indicate that the appearance of any portion of the article between the break lines forms no part of the claimed design. The broken lines in the Figures illustrate portions of the bed frame that form no part of the claimed design.

1 Claim, 7 Drawing Sheets



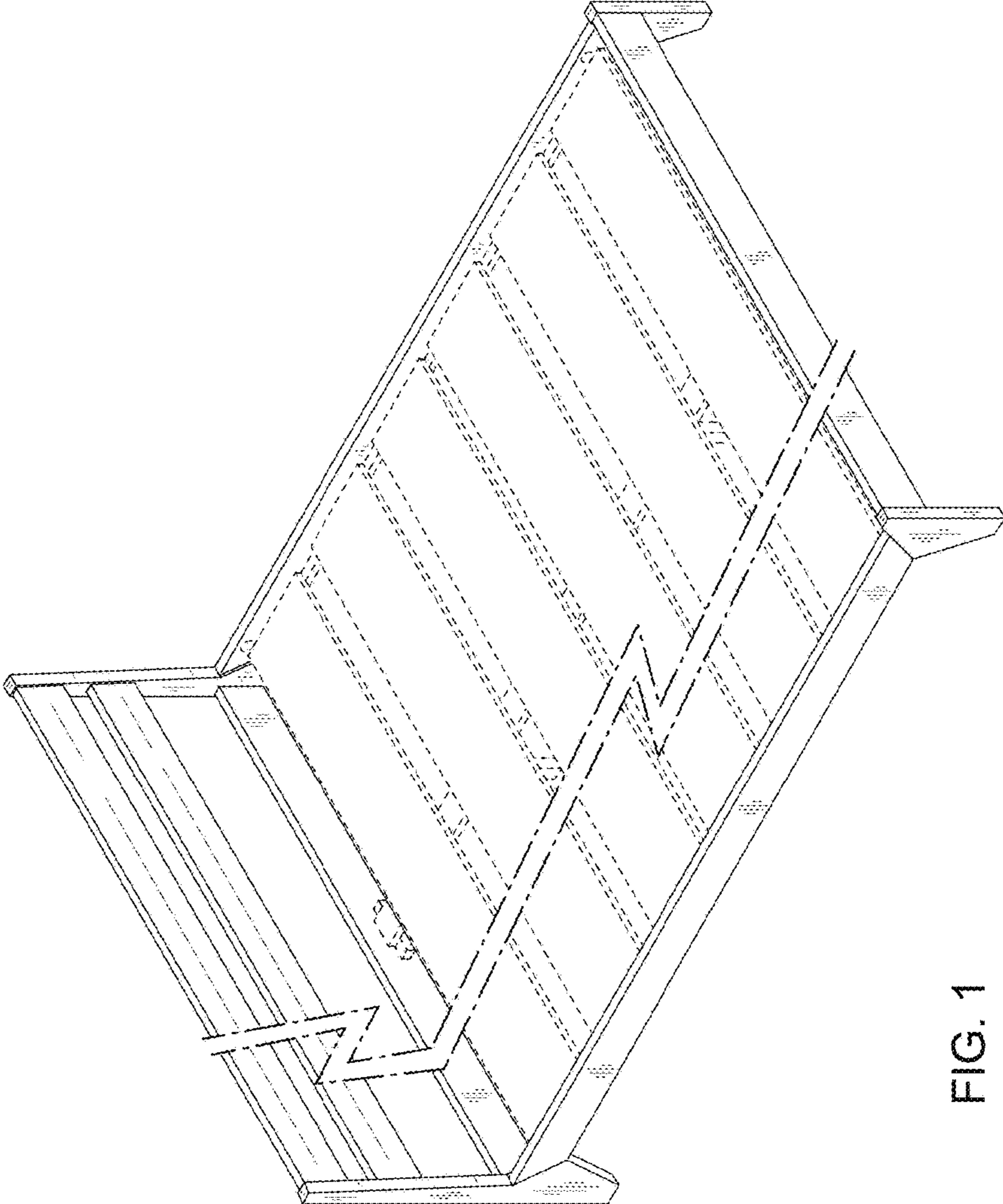


FIG. 1

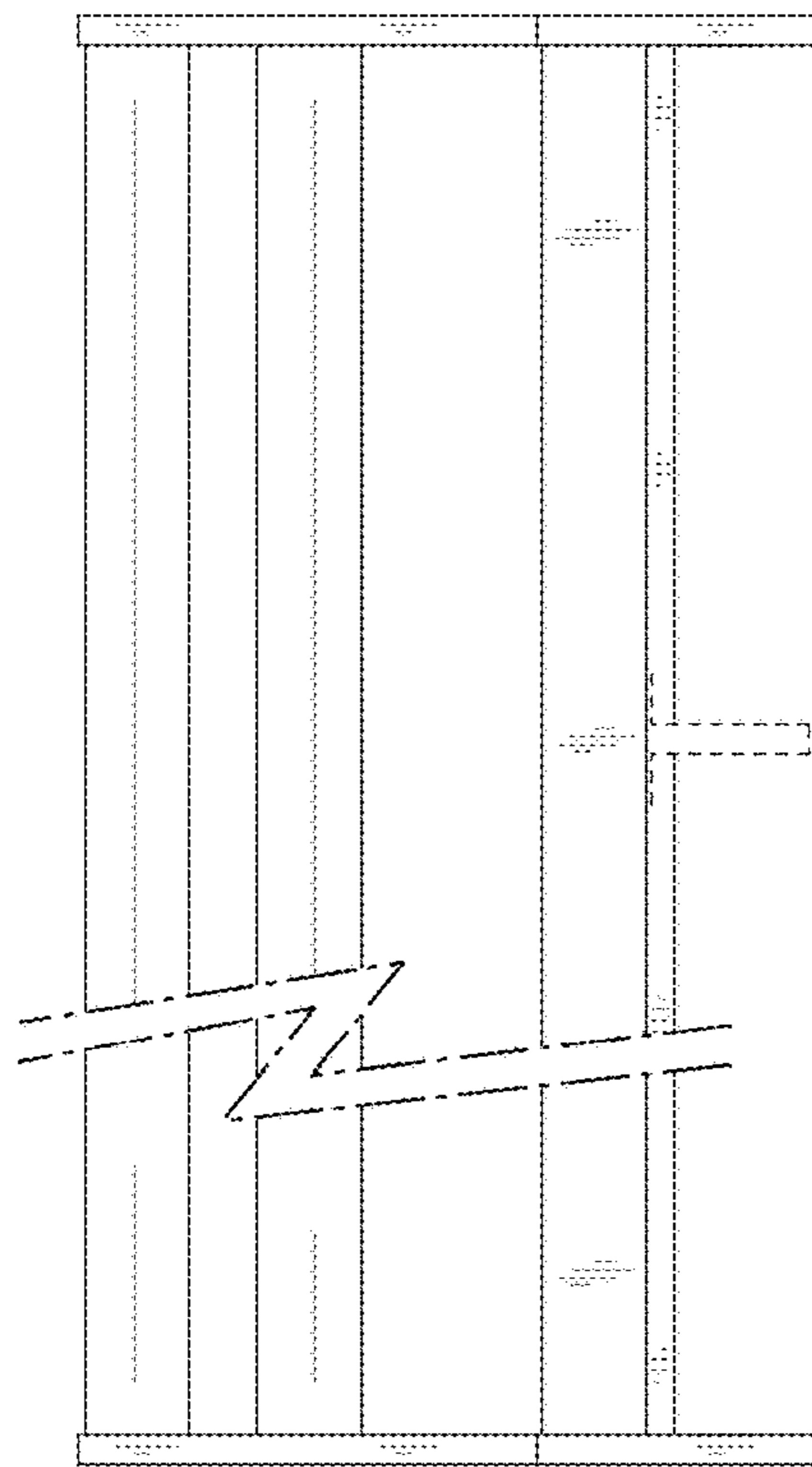


FIG. 2

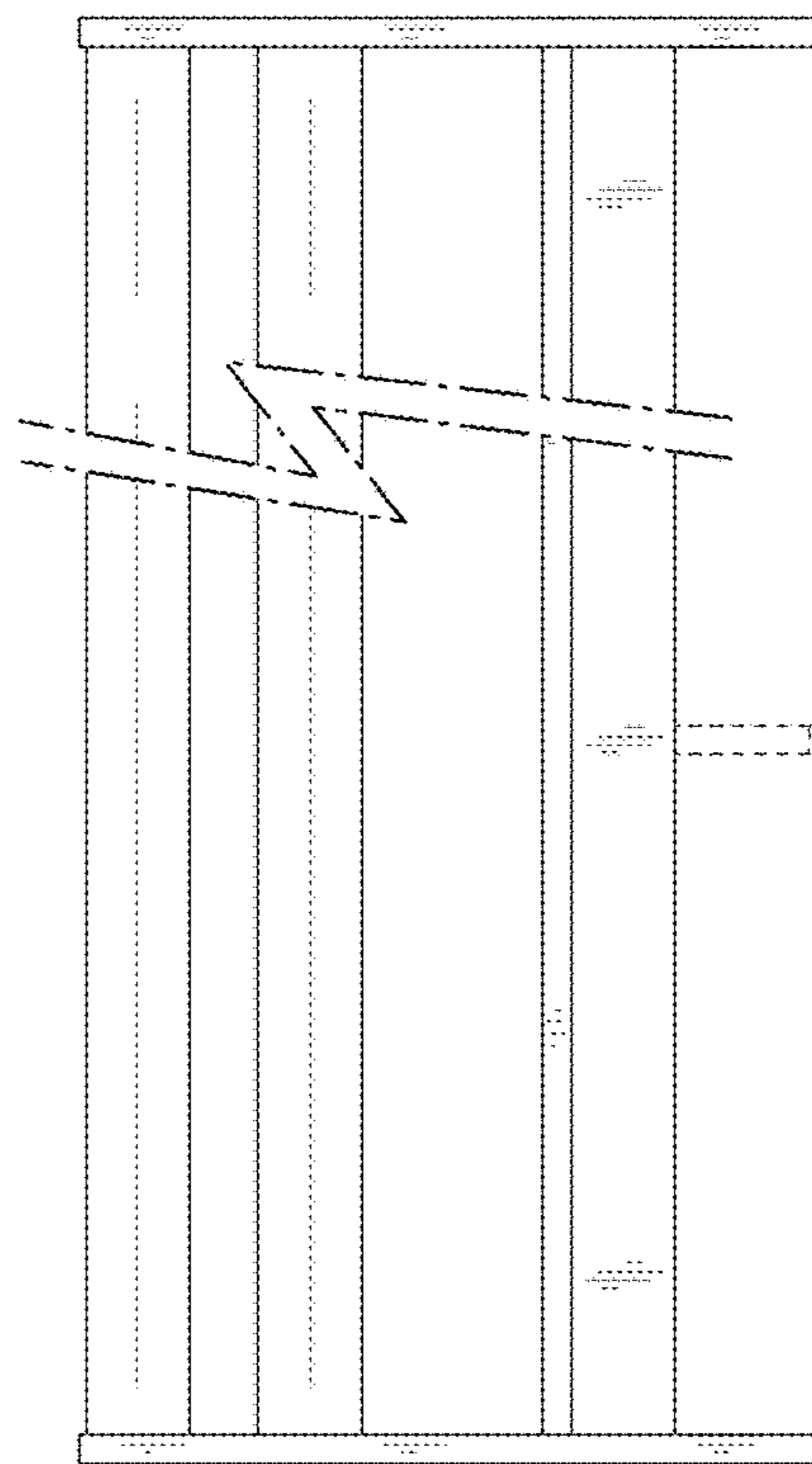


FIG. 3

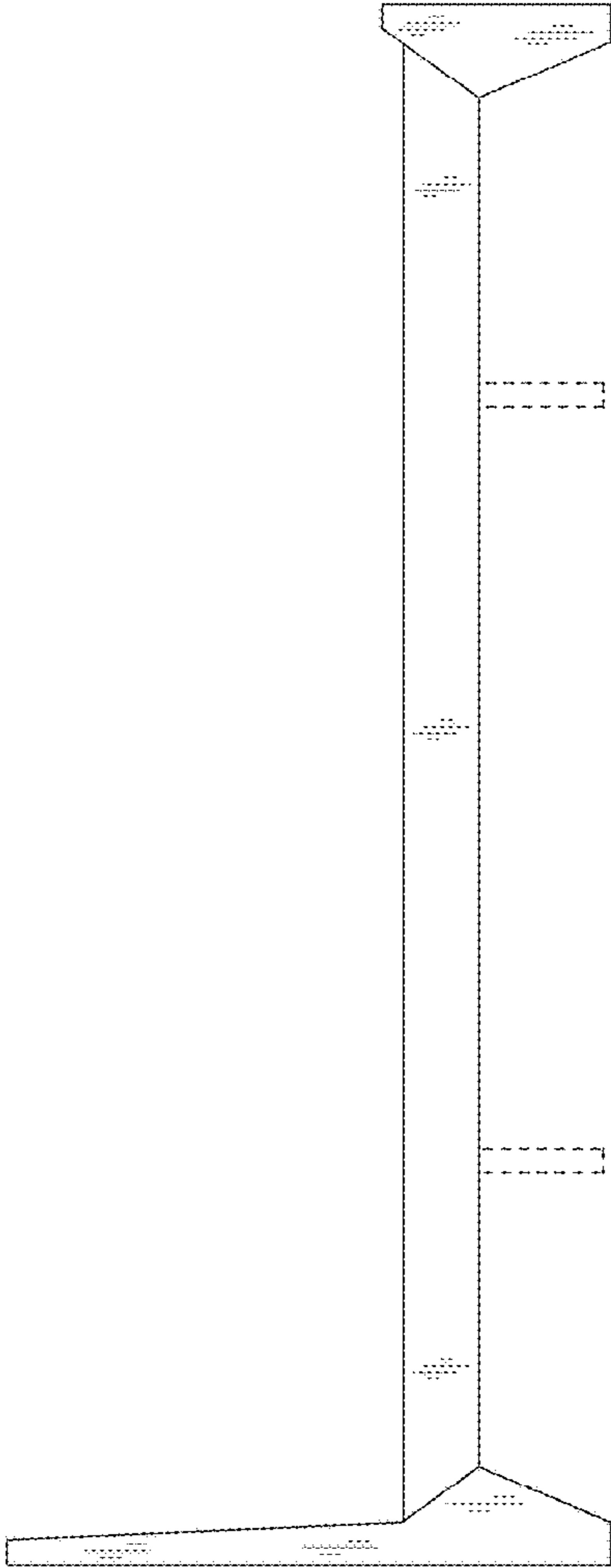


FIG. 4

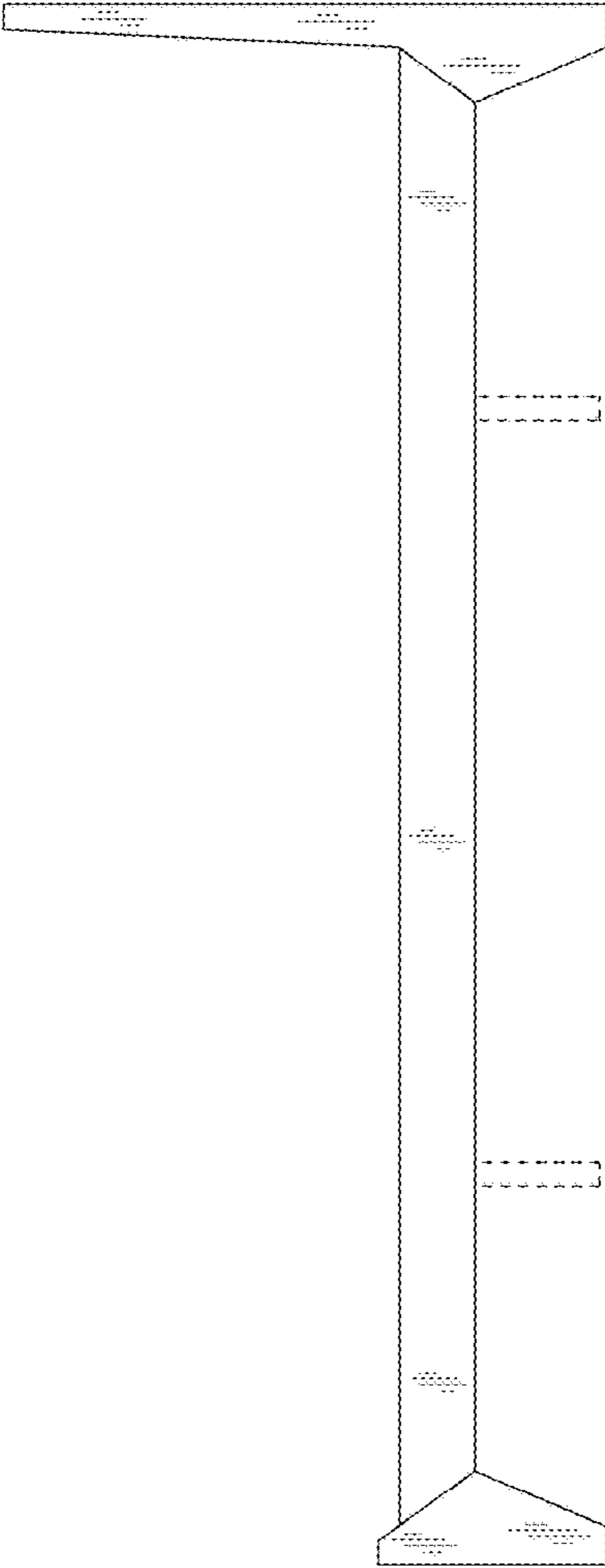


FIG. 5

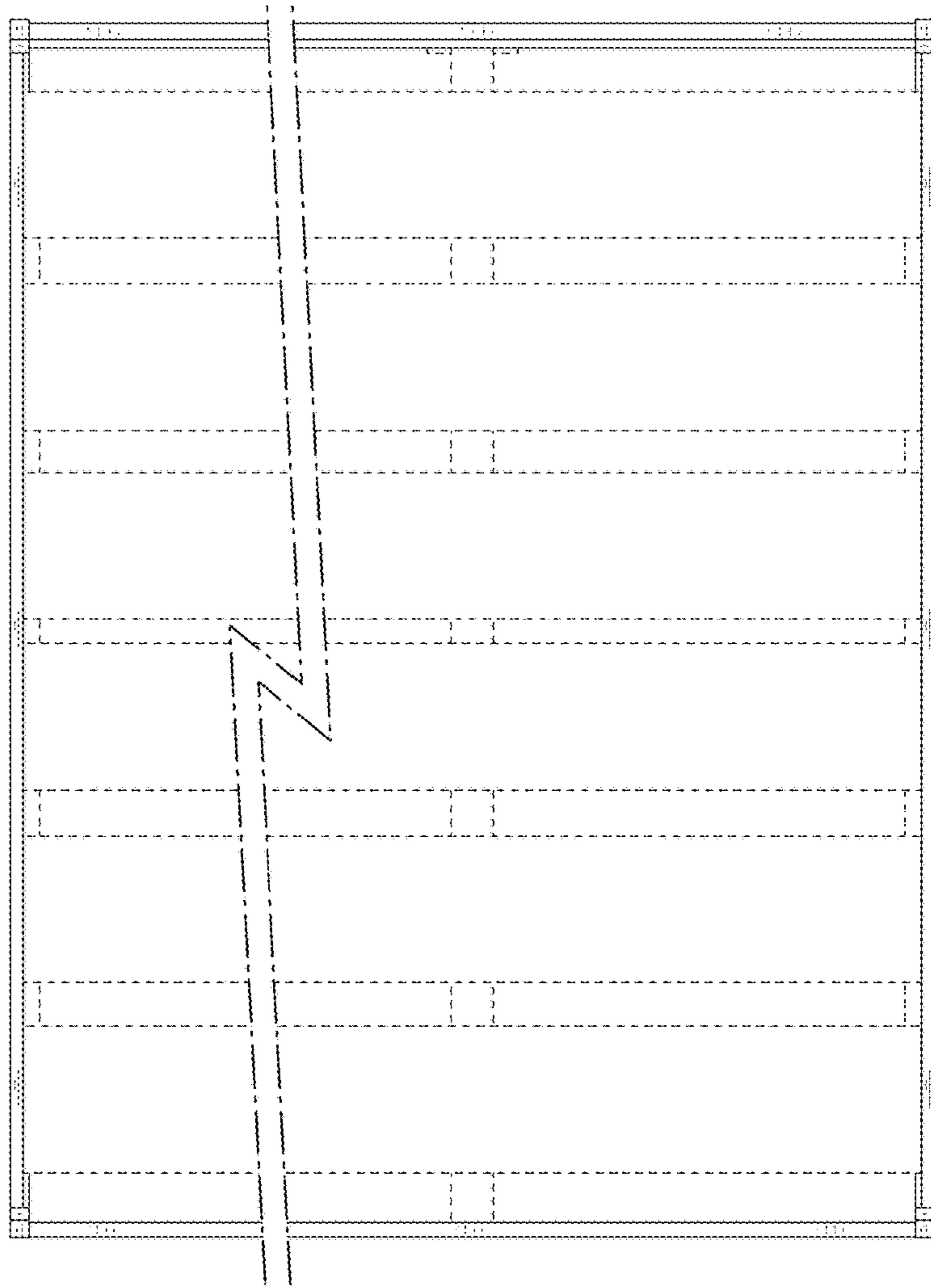


FIG. 6

