



US00D848175S

(12) **United States Design Patent** (10) **Patent No.:** **US D848,175 S**
Behar et al. (45) **Date of Patent:** **** May 14, 2019**

(54) **BASSINET**

(71) Applicant: **Happiest Baby, Inc.**, Santa Monica, CA (US)

(72) Inventors: **Yves Behar**, San Francisco, CA (US);
Roy Kosuge, Los Angeles, CA (US);
Steve Hecker, Los Angeles, CA (US)

(73) Assignee: **Happiest Baby, Inc.**, Los Angeles, CA (US)

(**) Term: **15 Years**

(21) Appl. No.: **29/595,780**

(22) Filed: **Mar. 2, 2017**

Related U.S. Application Data

(63) Continuation of application No. 29/522,058, filed on Mar. 27, 2015, now Pat. No. Des. 780,472.

(51) **LOC (11) Cl.** **06-02**

(52) **U.S. Cl.**
USPC **D6/390; D6/718.26**

(58) **Field of Classification Search**
USPC D6/390, 391, 718, 718.26, 719, 331, D6/692.3
CPC A47D 9/00; A47D 9/005; A47D 5/006; A47D 7/00; A47D 7/002; A47D 13/063; A47D 13/065
See application file for complete search history.

(56) **References Cited**

U.S. PATENT DOCUMENTS

1,332,400 A * 3/1920 Johnson A63H 3/08 446/387
1,897,258 A * 2/1933 Jenne A47D 9/00 5/129
D90,696 S * 9/1933 Caldwell D6/383
D128,488 S * 7/1941 Gunder D6/692.1
D158,030 S 4/1950 Wagner

2,508,110 A 5/1950 Hansen
2,523,422 A 9/1950 Dunn
2,808,828 A 10/1957 Rubin
2,873,458 A * 2/1959 Adamson A47D 13/063 220/9.4

(Continued)

FOREIGN PATENT DOCUMENTS

CA 2459037 8/2005
CA 2760609 11/2010

(Continued)

OTHER PUBLICATIONS

Edge Banding, Kreg Newsletter, Nov. 2014, site visited Jun. 15, 2017, available online <URL: <http://www.kregtool.com/files/newsletters/kregplus/november14.html>>.*

(Continued)

Primary Examiner — Cathron C Brooks
(74) *Attorney, Agent, or Firm* — Akerman LLP

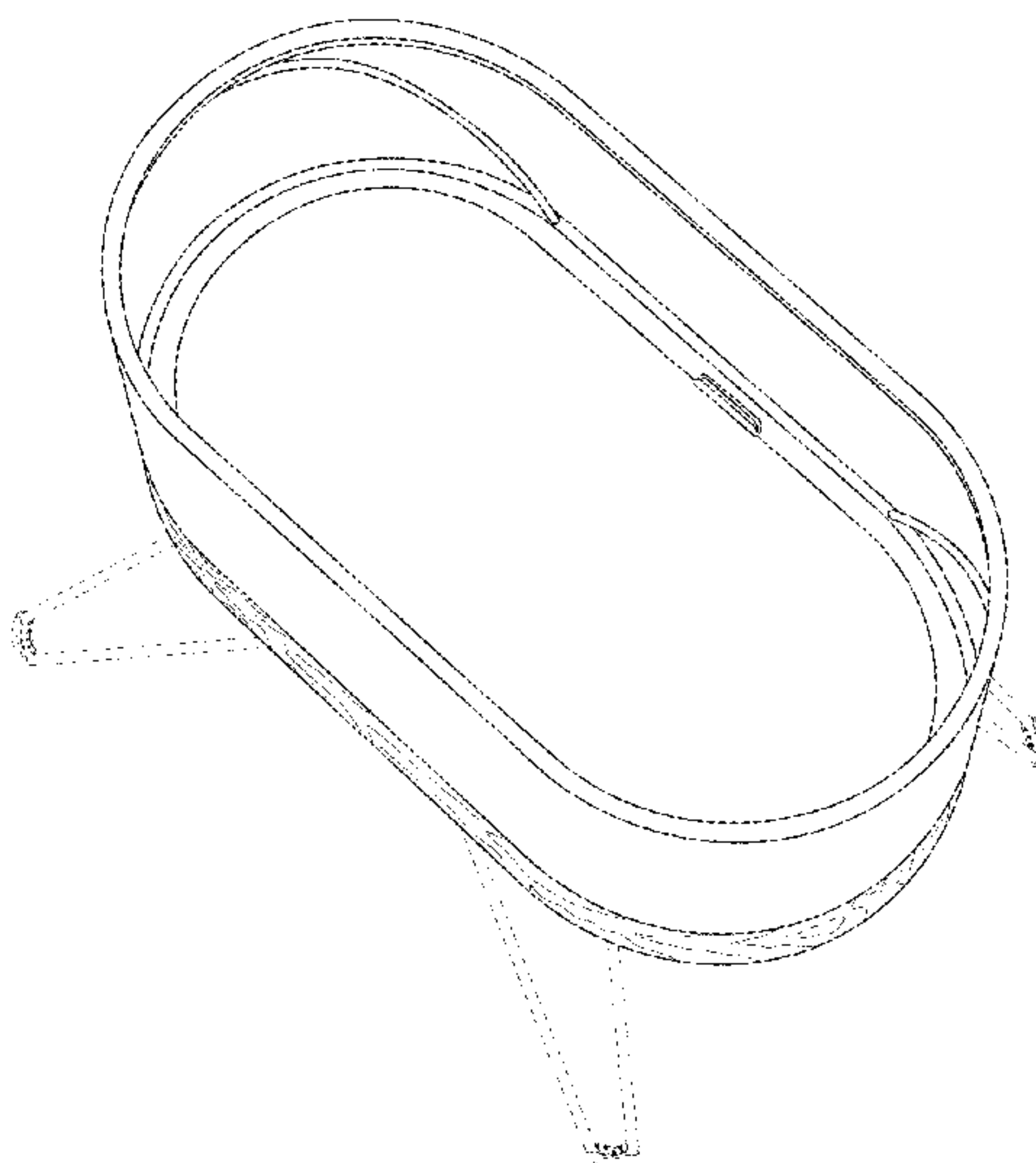
(57) **CLAIM**

The ornamental design for a bassinet, as shown and described.

DESCRIPTION

FIG. 1 is a front perspective view of a bassinet showing our new design;
FIG. 2 is a front view thereof;
FIG. 3 is a rear view thereof;
FIG. 4 is a left side view thereof;
FIG. 5 is a right side view thereof;
FIG. 6 is a top view thereof; and,
FIG. 7 is a bottom view thereof.
The broken lines in the Figures show portions of the bassinet that form no part of the claimed design.
In FIGS. 1-5, the wood grain pattern represents a wood appearance.

1 Claim, 7 Drawing Sheets



(56)

References Cited

U.S. PATENT DOCUMENTS

2,974,325 A	3/1961	Mango		D536,550 S	2/2007	Kasem	
2,992,440 A *	7/1961	Revolt	A47D 13/06	7,181,789 B2	2/2007	Gatten et al.	
				7,203,981 B1	4/2007	Cowgill et al.	
				7,246,392 B2	7/2007	Schmid et al.	
3,146,736 A *	9/1964	Hetrick	A47D 9/005	D561,978 S	2/2008	Soulides	
				7,337,482 B2	3/2008	Byrne et al.	
				7,347,806 B2	3/2008	Nakano et al.	
				7,406,725 B2	8/2008	Martin et al.	
				7,427,921 B2	9/2008	Van	
3,536,067 A	10/1970	Sternagel		7,485,086 B2	2/2009	Dickie et al.	
D224,822 S	9/1972	Lee, Jr.		7,587,769 B1	9/2009	McDermott et al.	
3,789,439 A *	2/1974	Berg	A47D 9/005	7,587,772 B2	9/2009	Ward et al.	
				D605,870 S *	12/2009	Bergkvist	D6/390
				D606,282 S	12/2009	Chen	
D232,279 S	8/1974	White		7,685,657 B1	3/2010	Hernandez et al.	
3,886,607 A	6/1975	Dunn		D613,091 S	4/2010	Taylor	
4,553,485 A *	11/1985	Lee	A47B 1/03	7,722,118 B2	5/2010	Bapst et al.	
				D616,665 S *	6/2010	Dumais	D6/390
				7,743,442 B2	6/2010	Maloney et al.	
4,611,353 A	9/1986	Als et al.		7,774,875 B1	8/2010	Zeidman et al.	
4,619,270 A	10/1986	Margolis		7,785,257 B2	8/2010	Mack et al.	
4,750,223 A	6/1988	D'Arcy		7,857,677 B2	12/2010	Kamm	
4,934,997 A	6/1990	Skakas		7,918,505 B2	4/2011	King et al.	
D316,339 S *	4/1991	Taylor	D6/391	D640,483 S *	6/2011	Daley	A47D 9/005
5,037,375 A	8/1991	Gatts					D6/333
D320,316 S	10/1991	Arnold		7,954,187 B1	6/2011	Earnest et al.	
5,129,406 A	7/1992	Magnuson et al.		D644,413 S	9/2011	Keall	
5,183,457 A	2/1993	Gatts et al.		8,011,037 B1	9/2011	Earnest et al.	
5,228,155 A	7/1993	Shultz		8,032,958 B2	10/2011	Pieta et al.	
5,295,490 A	3/1994	Dodakian		D650,153 S	12/2011	Chopak et al.	
5,385,153 A	1/1995	Jamieson et al.		8,083,601 B2	12/2011	Speedie et al.	
5,398,353 A	3/1995	Sachathamakul		8,096,960 B2	1/2012	Loree et al.	
D367,979 S *	3/1996	Lewis	D6/692.3	8,112,835 B2	2/2012	Eirich et al.	
5,577,450 A *	11/1996	Huang	A47B 1/02	8,141,186 B2	3/2012	Jackson et al.	
				8,191,188 B2	6/2012	Kaplan et al.	
				8,197,005 B2	6/2012	Hopke et al.	
5,640,717 A	6/1997	Ray		8,239,984 B2	8/2012	Hopke et al.	
5,668,780 A	9/1997	Hsieh		8,269,625 B2	9/2012	Hoy et al.	
5,684,460 A	11/1997	Scanlon		D669,659 S	10/2012	Barski	
5,706,533 A	1/1998	Opheim		8,302,225 B1	11/2012	Earnest et al.	
5,711,045 A	1/1998	Caster et al.		8,321,980 B2	12/2012	Maloney et al.	
5,806,113 A	9/1998	McMahan et al.		D674,614 S	1/2013	Morand	
D401,454 S *	11/1998	De Blaay	D6/686	8,347,432 B2	1/2013	Schmid et al.	
5,845,350 A	12/1998	Beemiller et al.		8,365,325 B2	2/2013	Schneider et al.	
5,852,827 A	12/1998	Lear et al.		8,375,486 B2	2/2013	Earnest et al.	
5,855,031 A	1/1999	Swift		D678,693 S	3/2013	Bergkvist	
5,881,408 A	3/1999	Bashista et al.		8,398,538 B2	3/2013	Dothie et al.	
D413,454 S	9/1999	Kasem		8,429,771 B2	4/2013	Long et al.	
D417,090 S	11/1999	Reynolds		8,522,375 B2	9/2013	Conrad et al.	
D418,440 S	1/2000	Dallaire		8,539,620 B1	9/2013	Wynh et al.	
6,009,576 A	1/2000	Gramme et al.		D692,209 S	10/2013	Dragu	
6,011,477 A	1/2000	Teodorescu et al.		8,555,414 B2	10/2013	Davis et al.	
6,146,332 A	11/2000	Pinsonneault		8,561,227 B2	10/2013	Jenkins et al.	
6,148,455 A	11/2000	Kasem		D696,486 S	12/2013	Barski	
6,155,976 A	12/2000	Sackner et al.		8,607,364 B2	12/2013	Barski et al.	
6,386,986 B1	5/2002	Sonner		8,607,366 B2	12/2013	Austin	
6,393,612 B1	5/2002	Thach et al.		8,661,582 B2	3/2014	Sclare et al.	
6,415,442 B1	7/2002	Smith et al.		8,667,631 B2	3/2014	Coates et al.	
6,498,652 B1	12/2002	Varshneya et al.		8,695,133 B2	4/2014	Christensen et al.	
6,588,033 B1 *	7/2003	Welsh, Jr.	A47D 7/002	8,726,437 B2	5/2014	Hardesty et al.	
				8,745,794 B1	6/2014	McDermott	
				8,756,731 B1	6/2014	Huttner et al.	
6,594,834 B2 *	7/2003	Fenty	A47D 11/00	8,769,737 B1	7/2014	Duggins et al.	
				8,776,265 B2	7/2014	Neveu et al.	
				8,777,311 B1	7/2014	Laurel et al.	
				8,782,831 B2	7/2014	Houston et al.	
				8,784,227 B2	7/2014	Speedie et al.	
6,652,469 B2	11/2003	Pinsonneault		D715,027 S	9/2014	Haut et al.	
6,662,390 B1	12/2003	Berger et al.		8,827,366 B2	9/2014	Daley et al.	
6,839,924 B2	1/2005	Sims et al.		8,832,880 B2	9/2014	Sheard et al.	
6,868,566 B2	3/2005	Gatten et al.		8,845,440 B2	9/2014	Hayt et al.	
6,907,626 B1 *	6/2005	Welsh, Jr.	A47D 9/005	8,863,329 B2	10/2014	Sofia-Mcintire et al.	
				D718,017 S	11/2014	Barski	
				8,898,833 B2	12/2014	Coates et al.	
6,916,249 B2	7/2005	Meade		8,904,580 B1	12/2014	Christensen et al.	
6,928,674 B2	8/2005	Blackburn		8,910,332 B2	12/2014	Buckson	
6,966,082 B2	11/2005	Bloemer et al.		8,942,783 B2	1/2015	Cervantes et al.	
D512,466 S *	12/2005	White	D21/369	8,943,625 B2	2/2015	Gotel et al.	
6,978,479 B2	12/2005	Thach et al.		9,003,564 B2	4/2015	Wynh	
D518,942 S	4/2006	Dandrea					
7,043,783 B2	5/2006	Gatten et al.					
7,076,819 B2	7/2006	Trani et al.					
D526,133 S	8/2006	Song					
7,100,724 B2	9/2006	Haigh et al.					
7,123,758 B2	10/2006	Mostafavi et al.					
D536,191 S *	2/2007	Kasem	D6/390				

(56)

References Cited

U.S. PATENT DOCUMENTS

9,020,622 B2 4/2015 Shoham et al.
 D728,198 S 5/2015 Barski
 D728,199 S 5/2015 Barski
 9,032,963 B2 5/2015 Grissom
 9,069,549 B2 6/2015 Buckson
 D734,592 S 7/2015 Castillo et al.
 9,119,423 B2 9/2015 Gotel et al.
 9,131,734 B2 9/2015 Daugherty et al.
 D741,046 S 10/2015 Pelekanou
 9,155,403 B2 10/2015 Mountz et al.
 D742,097 S 11/2015 Dunn
 9,179,711 B2 11/2015 Krawchuk
 D751,847 S * 3/2016 Brown D6/718.26
 D780,472 S * 3/2017 Behar D6/390
 D825,219 S * 8/2018 Karp D6/390
 2002/0016991 A1 * 2/2002 Brown A47D 13/063
 5/99.1
 2002/0100116 A1 8/2002 Richards et al.
 2004/0078895 A1 4/2004 Elling et al.
 2005/0022284 A1 2/2005 Thach
 2005/0091743 A1 5/2005 Bloemer et al.
 2005/0120459 A1 6/2005 McConnell et al.
 2005/0210592 A1 9/2005 Littlehorn et al.
 2005/0283908 A1 12/2005 Wong et al.
 2006/0025226 A1 2/2006 Nakano et al.
 2006/0042013 A1 3/2006 Madsen
 2006/0084514 A1 4/2006 Speedie et al.
 2006/0225206 A1 10/2006 Kasem
 2007/0056109 A1 3/2007 Forshpan et al.
 2007/0060015 A1 3/2007 Glatt et al.
 2007/0085695 A1 4/2007 Nerurkar et al.
 2007/0267904 A1 11/2007 Clapper et al.
 2008/0077020 A1 3/2008 Young et al.
 2008/0136236 A1 6/2008 Kincaid et al.
 2008/0196164 A1 8/2008 Calilung
 2008/0217150 A1 9/2008 Chen
 2008/0314665 A1 12/2008 Sanders et al.
 2009/0062622 A1 3/2009 Lin et al.
 2009/0064390 A1 3/2009 Beiring et al.
 2009/0131185 A1 5/2009 Speedie
 2010/0044164 A1 2/2010 Thorne
 2010/0201171 A1 8/2010 Velderman et al.
 2010/0218299 A1 9/2010 Damir
 2010/0228315 A1 9/2010 Nielsen
 2010/0231421 A1 9/2010 Rawls-Meehan
 2010/0257654 A1 10/2010 Waters et al.
 2010/0275373 A1 11/2010 Kaplan
 2010/0298742 A1 11/2010 Perlman
 2010/0328075 A1 12/2010 Rahamim et al.
 2011/0025915 A1 2/2011 Daban et al.
 2011/0032103 A1 2/2011 Bhat et al.
 2011/0078855 A1 4/2011 Buckson et al.
 2011/0099719 A1 5/2011 Hardesty et al.
 2011/0179546 A1 7/2011 Millette et al.
 2011/0277210 A1 11/2011 Hardesty et al.
 2011/0308011 A1 * 12/2011 Cheng A47D 7/04
 5/93.1
 2012/0025992 A1 2/2012 Tallent et al.
 2012/0083670 A1 4/2012 Rotondo
 2012/0125347 A1 5/2012 Soileau et al.
 2012/0216349 A1 8/2012 Kaplan et al.
 2012/0297518 A1 11/2012 Aiken et al.
 2012/0311762 A1 12/2012 Aiken et al.
 2013/0123654 A1 5/2013 Rahamim et al.
 2013/0139290 A1 6/2013 Barski et al.
 2013/0165809 A1 6/2013 Abir
 2013/0185867 A1 7/2013 Long et al.
 2014/0059762 A1 * 3/2014 Bonczek A47D 13/063
 5/98.1
 2014/0130254 A1 5/2014 Jeong
 2014/0173822 A1 6/2014 Doering et al.
 2014/0249382 A1 9/2014 Bhat et al.
 2014/0250558 A1 9/2014 Russo
 2014/0250592 A1 9/2014 Karp et al.
 2014/0265480 A1 9/2014 Perrin et al.

2014/0339867 A1 11/2014 Daley et al.
 2014/0345042 A1 11/2014 Morand
 2015/0026886 A1 1/2015 Gangan
 2015/0045608 A1 2/2015 Karp et al.
 2015/0059089 A1 3/2015 Falkiner
 2015/0126819 A1 5/2015 Cervantes
 2015/0250330 A1 9/2015 Mountz et al.
 2015/0250419 A1 9/2015 Cooper et al.
 2016/0165961 A1 6/2016 Karp
 2016/0166081 A1 6/2016 Karp et al.
 2016/0174619 A1 6/2016 Waters
 2016/0174728 A1 6/2016 Karp et al.
 2016/0310067 A1 10/2016 Heinrich et al.
 2017/0043117 A1 2/2017 Karp et al.
 2017/0043118 A1 2/2017 Karp et al.

FOREIGN PATENT DOCUMENTS

CA	2848529	3/2013
CA	2918029	4/2016
EP	0617907	6/1997
EP	1435810	7/2004
EP	1748711	2/2007
EP	2617329	7/2013
EP	2197322	2/2014
EP	2292124	7/2014
EP	2768345	8/2014
EP	2915459	9/2015
EP	292812	10/2015
EP	2756136	8/2016
FR	2669201	5/1992
GB	2312374	10/1997
JP	07275091	10/1995
JP	07289394	11/1995
JP	2000510022	8/2000
KR	1020040097883	11/2004
KR	1020060079587	7/2006
NO	2013038248	3/2013
NO	2016055946	4/2016
WO	2007062499	6/2007
WO	2013059625	4/2013
WO	2013087955	6/2013
WO	2013135975	9/2013
WO	2013188810	12/2013
WO	2014078442	5/2014
WO	2015017709	2/2015
WO	2015143430	9/2015
WO	2016096518	6/2016
WO	2016123619	8/2016
WO	2016138441	9/2016

OTHER PUBLICATIONS

Iron-on Edge Banding, Popular Woodworking Magazine, Sep. 19, 2008, site visited Jun. 15, 2017, available online <URL:<http://www.popularwoodworking.com/projects/iron-on-edge-banding>>.*
 Oval Crib, Fine Woodworking, <http://www.finewoodworking.com/readerproject/2009/11/11/oval-crib>, Nov. 11, 2009.
 Snoo Bassinet, Can this High-Tech Bassinet Keep Sleep-Deprived Parents Sane?, The Wall Street Journal, <http://www.wsj.com/articles/can-this-high-tech-bassinet-keep-sleep-deprived-parents-sane>, Oct. 18, 2018.
 Office Action issued in Australian Application No. 2012325947, dated Aug. 22, 2016.
 Office Action issued in Mexican Patent Application No. MX/a/2014/004648, dated Mar. 24, 2017.
 Extended European search report issued in European Patent Application No. 14831425.5, dated Feb. 24, 2017.
 Putting Baby in Snoo Sack, <https://www.youtube.com/watch?v=NvTIOzWxG80>, Oct. 28, 2016.
 About SUID and SIDS, Centers for Disease Control and Prevention, <http://www.cdc.gov/sids/aboutsuidandsids.htm>, Oct. 3, 2016, (accessed Nov. 3, 2016), 2 pages.
 Infant Sleep Forum Posting, <http://www.sleepnet.com/infant/messages/501.html>, (accessed Mar. 16, 2015), 2 pages.

(56)

References Cited

OTHER PUBLICATIONS

Safety Standard for Bassinets and Cradles; Correction, Federal Register, vol. 78, No. 247, <https://www.bederalregister.gov/documents/2013/12/24/2013-30527/safety-standard-for-bassinets-and-cradles-correction> (accessed Nov. 10, 2016), Consumer Product Safety Commission, Dec. 24, 2013, 1 page.

Safety Standard for Bassinets and Cradles; Correction, Federal Register, vol. 78, No. 205, <https://www.bederalregister.gov/documents/2013/10/23/2013-24203/safety-standard-for-bassinets-and-cradles> (accessed Nov. 10, 2016), Consumer Product Safety Commission, Oct. 23, 2013, 18 pages.

Safety Standard for Bedside Sleepers, Federal Register, vol. 79, No. 10, <https://www.federalregister.gov/documents/2014/01/15/2014-00597/safety-standard-for-bedside-sleepers>, (accessed Nov. 10, 2016), Consumer Product Safety Commission, Jan. 15, 2014, 9 pages.

SIDS and Other Sleep-Related Infant Deaths: Expansion of Recommendations for a Safe Infant Sleeping Environment, Task Force on Sudden Infant Death Syndrome, *Pediatrics*, vol. 128, No. 5, Nov. 2011, pp. e1341, 29 pages.

EP Application No. 12781007.5, Examination Notification Art. 94(3) mailed May 5, 2015, Unacuna, LLC, 3 Pages.

AAP Task Force on SIDS, The Changing Concept of Sudden Infant Death Syndrome: Diagnostic Coding Shifts, Controversies Regarding the Sleeping Environment, and New Variables to Consider in Reducing Risk, *Peds*, vol. 116, 2005, pp. 1245-1255.

Ariagno, et al., Fewer spontaneous arousals during prone sleep in preterm infants at 1 and 3 months corrected age, *Journal of Perinatology*, vol. 26, 2006, pp. 306-312.

Carpenter, et al., Sudden unexplained infant death in 20 regions in Europe: case control study, *The Lancet*, vol. 363, No. 9404, 2004, pp. 185-191.

Colvin, et al., Sleep Environment Risks for Younger and Older Infants, *Pediatrics*, vol. 134, Jul. 2014, pp. e406-e412.

Galland, et al., Prone versus supine sleep position: a review of the physiological studies in SIDS research, *J Paediatr Child Health*, vol. 38, No. 4, Aug. 2002, pp. 332-338.

Groswasser, et al., Reduced arousals following obstructive apneas in infants sleeping prone, *Pediatric Research*, vol. 49, No. 3, 2001, pp. 402-406.

Horne, et al., Effects of body position on sleep and arousal characteristics in infants, *Early Human Development*, vol. 69, iss. 1-2, Oct. 2002, pp. 25-33.

Horne, et al., The prone sleeping position impairs arousability in term infants, *The Journal of Pediatrics*, vol. 138, No. 6, 2001, pp. 811-816.

Kato, et al., Spontaneous Arousability in Prone and Supine Position in Healthy Infants, *Sleep*, vol. 29, No. 6, 2006, pp. 785-790.

L'Hoir, et al., Risk and preventive factors for cot death in The Netherlands, a low-incidence country, *Eur J Pediatr*, fol. 157, 1998, pp. 681-688.

Li et al., Infant Sleeping Position and the Risk of Sudden Infant Death Syndrome in California, 1997-2000, *Am J Epidemiol*, vol. 157, No. 5, 2003, pp. 446-455.

McDonnell, et al., Infant Deaths and Injuries Associated with Wearable Blankets, Swaddle Wraps, and Swaddling, *J. Pediatr.*, vol. 164, No. 5, May 2014, pp. 1152-1156.

Mitchell, et al., Changing Infants' Sleep Position Increases Risk of Sudden Infant Death Syndrome, *Arch Ped Adol Med.*, vol. 153, 1999, pp. 1136-1141.

Oyen, et al., Combined effects of sleeping position and prenatal risk factors in sudden infant death syndrome: the Nordic Epidemiological SIDS Study, *Pediatrics*, vol. 100, No. 4, 1997, pp. 613-621.

International Preliminary Report on Patentability With Written Opinion for PCT/US2012/061069, dated May 1, 2014.

International Search Report and Written Opinion for PCT/US2012/061069, dated Mar. 11, 2012.

International Preliminary Report on Patentability for PCT/US2014/049253, dated Feb. 11, 2016.

International Search Report and Written Opinion for PCT/US2014/049253, dated Nov. 24, 2014.

International Search Report and Written Opinion for PCT/US2016/019878, dated May 6, 2016.

Pease, et al., Swaddling and the Risk of Sudden Infant Death Syndrome: A Meta-analysis, *Pediatrics*, vol. 137, No. 3, Jun. 2016, pp. e20153275 (11 pages).

Ponsonby, et al., Factors potentiating the risk of Sudden Infant Death Syndrome associated with the Prone Position, *NEJM*, vol. 329, 1993, pp. 377-382.

Shapiro-Mendoza, et al., Trends in Infant Bedding Use: National Infant Sleep Position Study, 1993-2010, *Pediatrics*, vol. 135, 2015, pp. 10-17.

Tuladhar, et al., Effects of sleep position, sleep state and age on heart rate responses following provoked arousal in term infants, *Early human development*, vol. 71, iss. 2, Apr. 2003, pp. 157-169.

Vennemann, et al., Sleep Environment Risk Factors for Sudden Infant Death Syndrome: The German Sudden Infant Death Syndrome Study, *Pediatrics*, vol. 123, No. 4, Apr. 2009, pp. 1162-1170.

Edge Banding, Kreg Newsletter, <http://www.kregtool.com/files/newsletters/kregplus/november14.html> (site visited Jun. 15, 2017), Nov. 2014.

Iron-on Edge Banding, *Popular Woodworking Magazine*, popularwoodworking.com/projects/iron-on-edge-banding (site visited Jun. 15, 2017), Sep. 19, 2008.

* cited by examiner

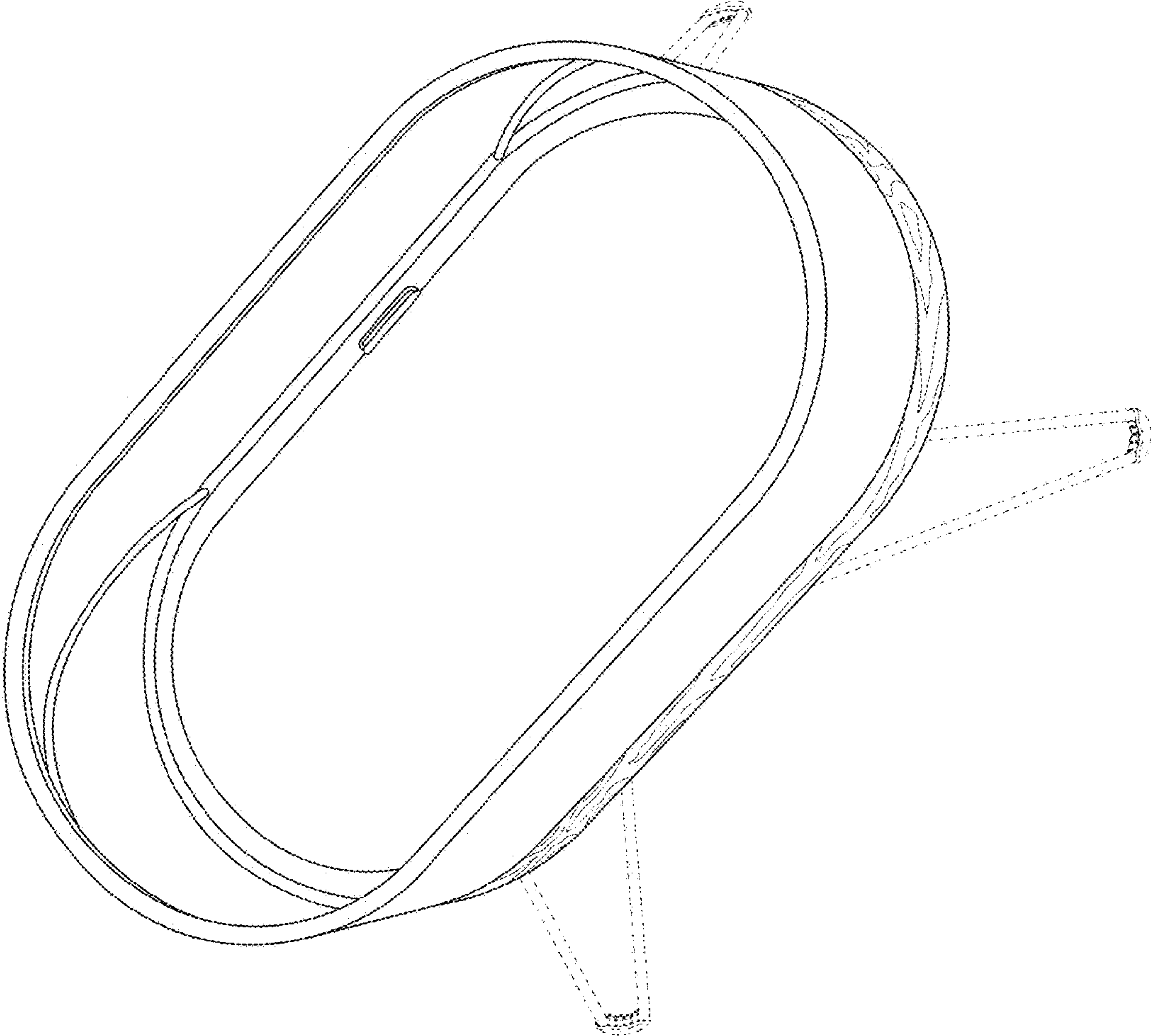


FIG. 1

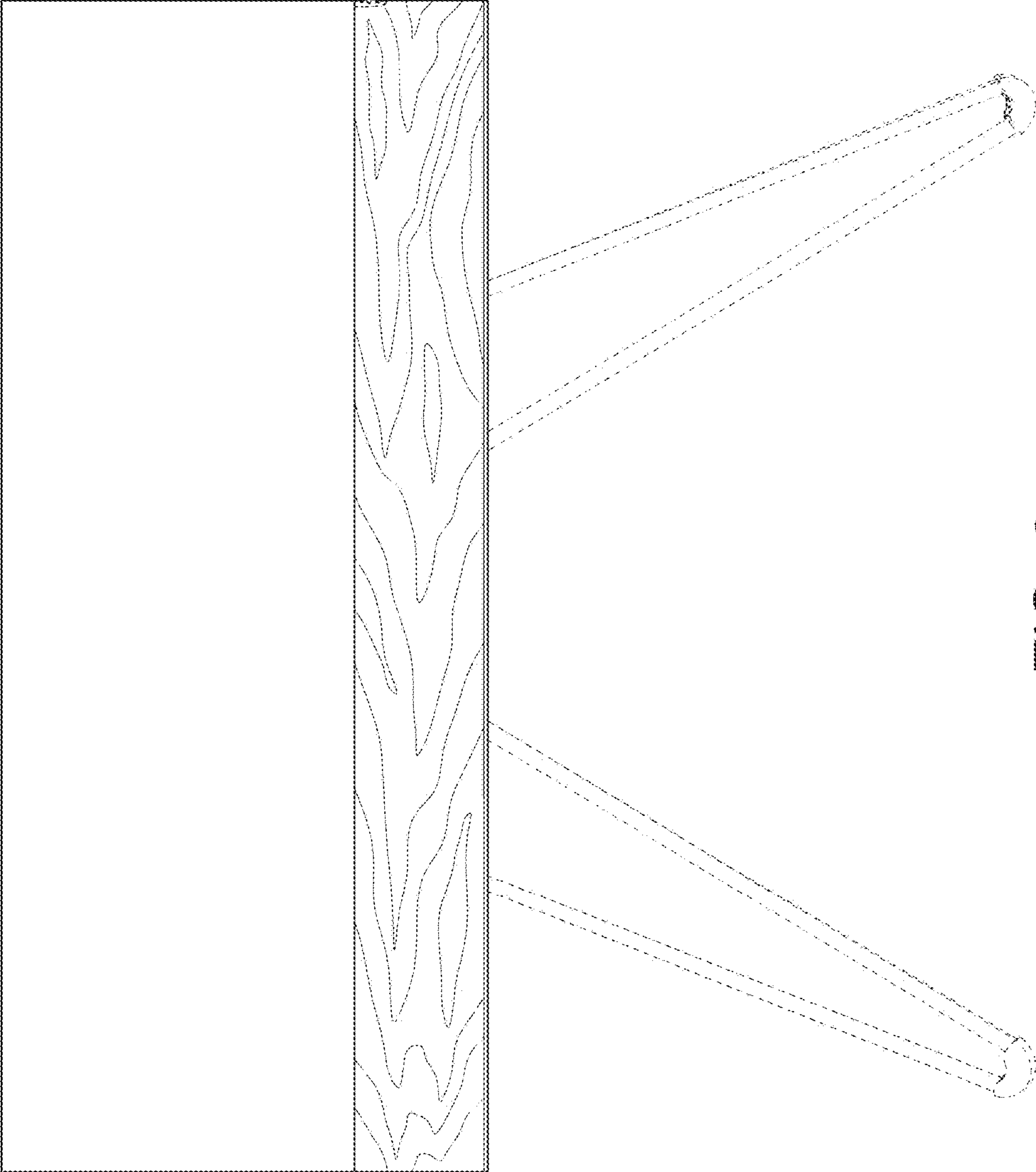


FIG. 2

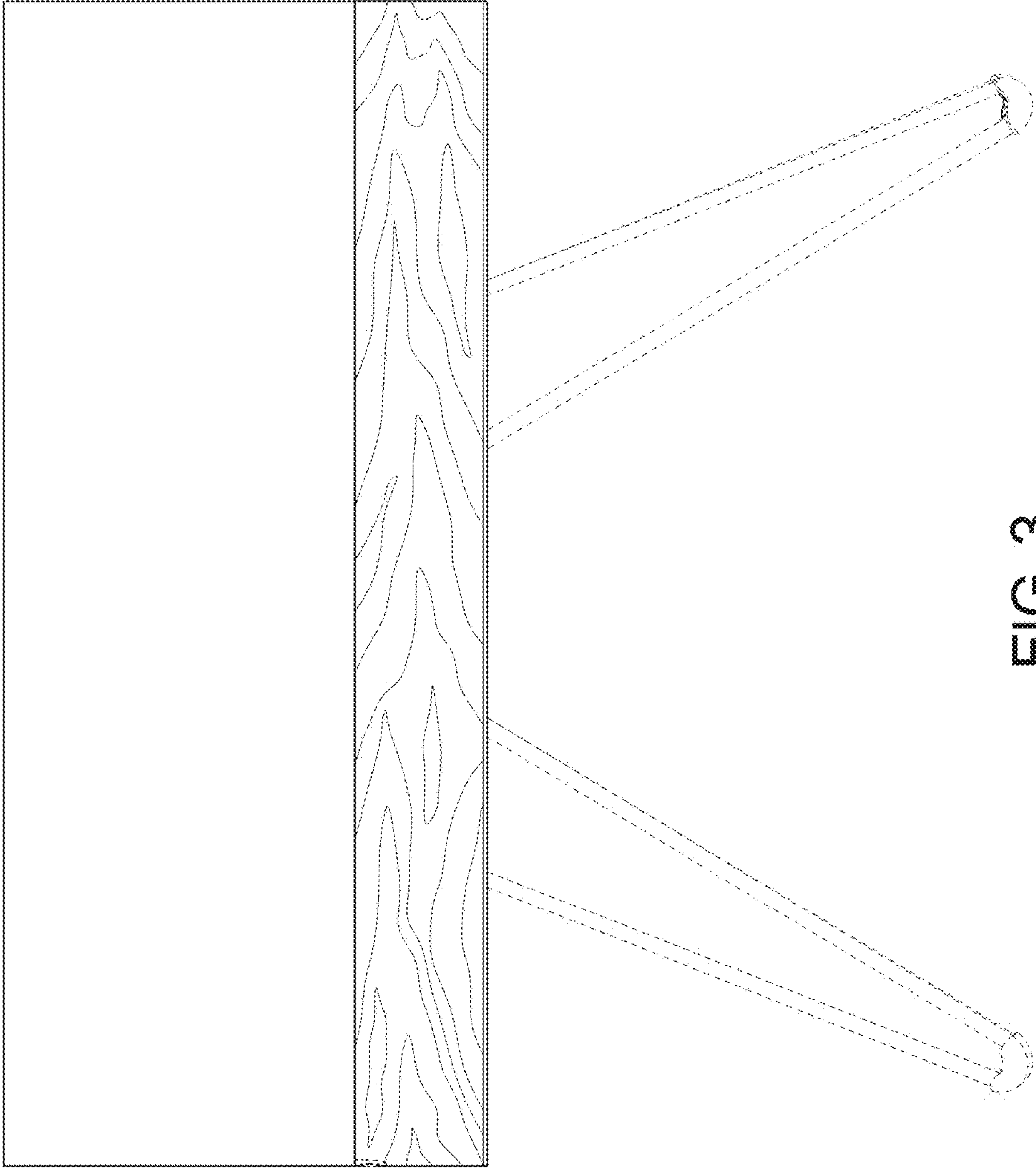


FIG. 3

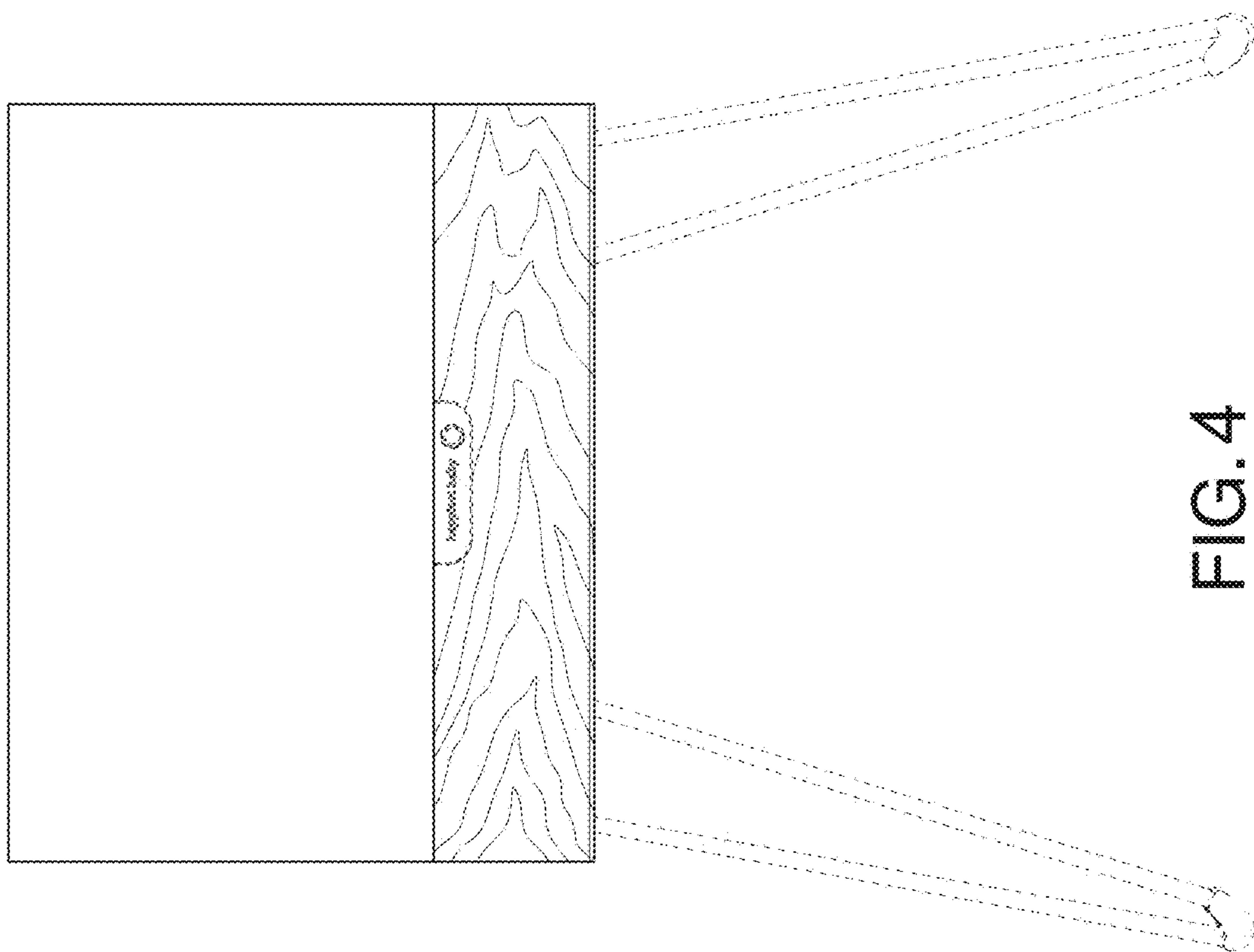


FIG. 4

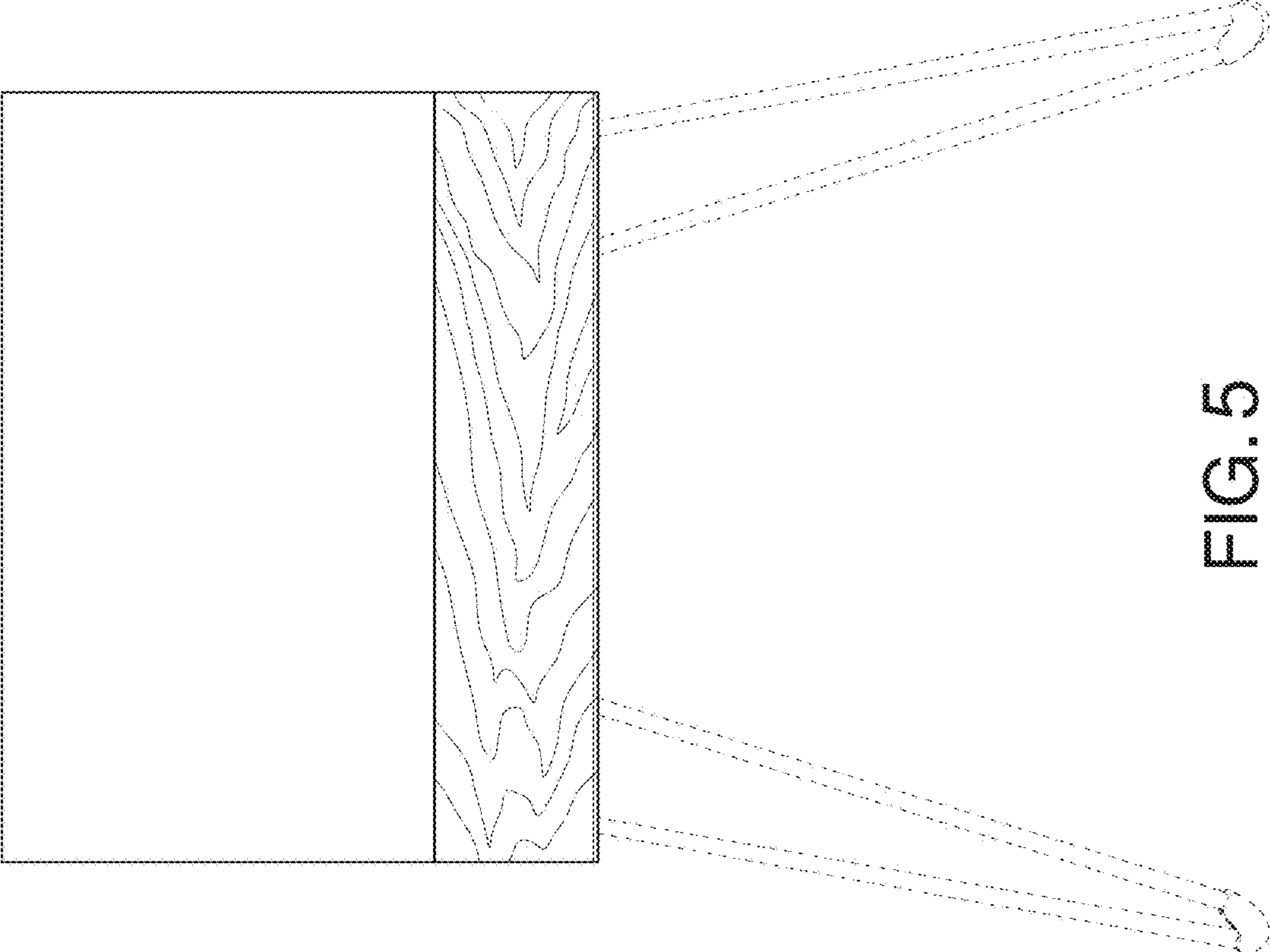


FIG. 5

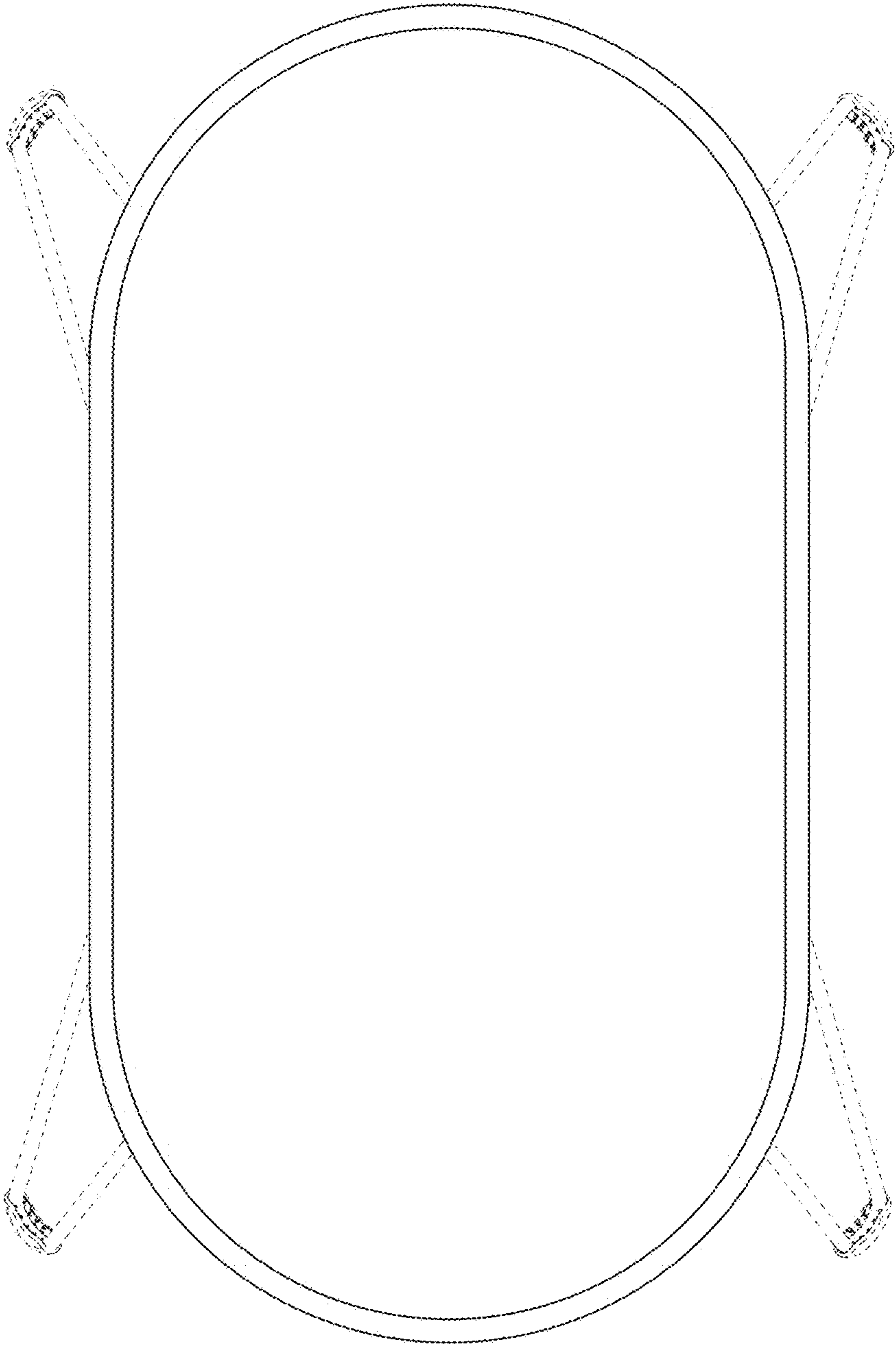


FIG. 6

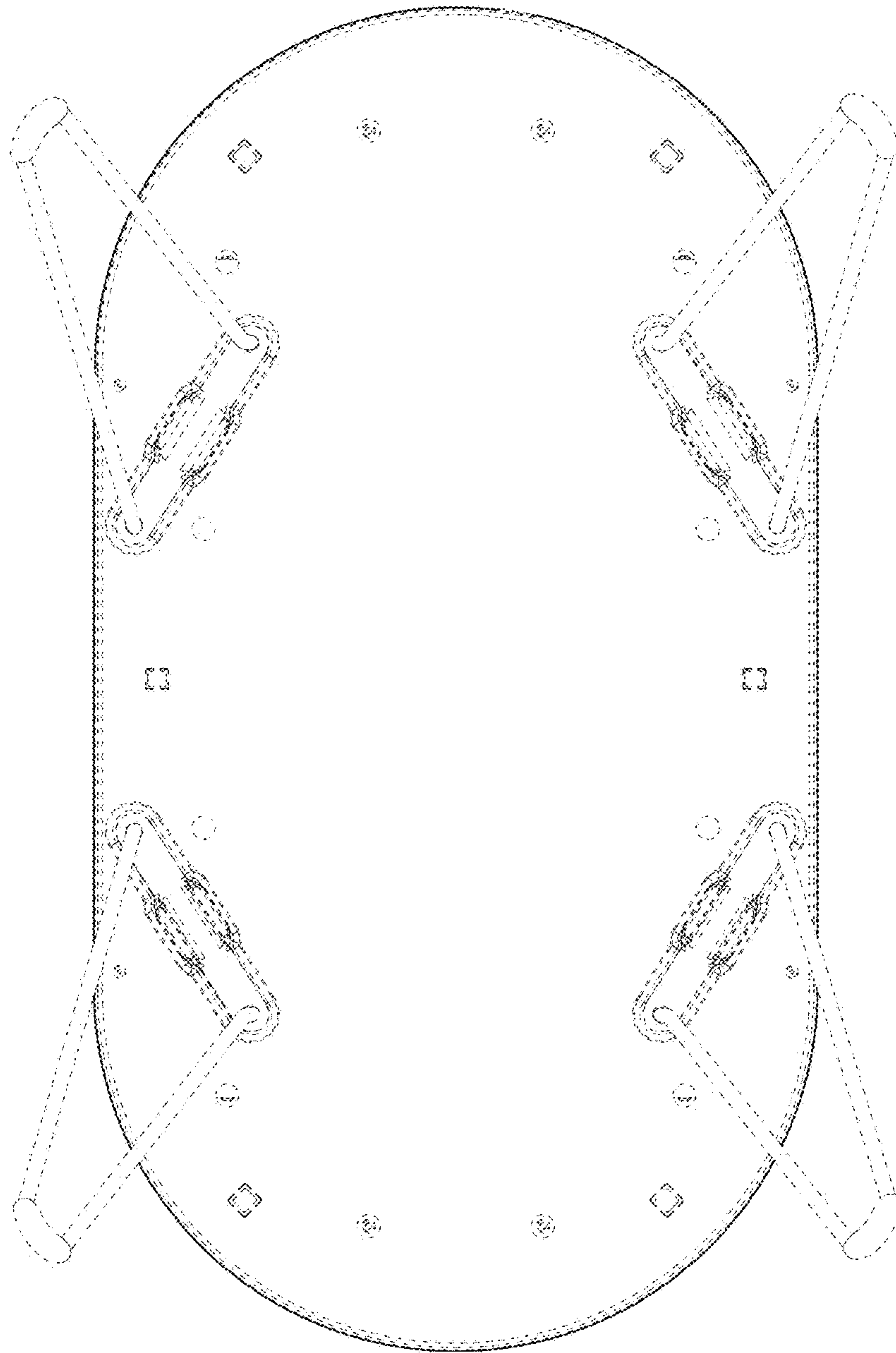


FIG. 7

UNITED STATES PATENT AND TRADEMARK OFFICE
CERTIFICATE OF CORRECTION

PATENT NO. : D848,175 S
APPLICATION NO. : 29/595780
DATED : May 14, 2019
INVENTOR(S) : Behar et al.

Page 1 of 1

It is certified that error appears in the above-identified patent and that said Letters Patent is hereby corrected as shown below:

On the Title Page

Item (12) delete "Behar et al." and insert --Karp et al.--.

Item (72) Inventors should read:

--(72) Inventors: Harvey Karp, Los Angeles, CA (US);
Nina Montee Karp, Los Angeles, CA (US);
Yves Behar, San Francisco, CA (US);
Roy Kusage, Los Angeles, CA (US);
Steve Hecker, Los Angeles, CA (US)--.

Signed and Sealed this
Twenty-fifth Day of January, 2022



Drew Hirshfeld
*Performing the Functions and Duties of the
Under Secretary of Commerce for Intellectual Property and
Director of the United States Patent and Trademark Office*