



US00D848174S

(12) **United States Design Patent** (10) **Patent No.:** **US D848,174 S**  
**Prock** (45) **Date of Patent:** **\*\* May 14, 2019**

(54) **STACK CHAIR**  
(71) Applicant: **Bruce William Prock**, Rancho Cucamonga, CA (US)  
(72) Inventor: **Bruce William Prock**, Rancho Cucamonga, CA (US)  
(\*\*) Term: **15 Years**  
(21) Appl. No.: **29/579,410**  
(22) Filed: **Sep. 29, 2016**  
(51) **LOC (11) Cl.** ..... **06-01**  
(52) **U.S. Cl.**  
USPC ..... **D6/380**  
(58) **Field of Classification Search**  
USPC ..... D6/334, 335, 336, 360, 361, 367, 368, D6/371-375, 379-381, 716, 716.1-716.8  
CPC .... A47C 7/00; A47C 7/62; A47C 7/18; A47C 7/54; A47C 4/00; A47C 4/028; A47C 4/28; A47C 3/16; A47C 3/04; A47C 3/12; A47C 1/02; A47C 1/14  
See application file for complete search history.

D607,659 S \* 1/2010 Kubryk ..... D6/380  
D607,660 S \* 1/2010 Kubryk ..... D6/380  
D608,105 S \* 1/2010 Kubryk ..... D6/380  
D611,266 S \* 3/2010 Kubryk ..... D6/374  
D620,275 S \* 7/2010 Sofield ..... D6/374  
D629,223 S \* 12/2010 Swy ..... D6/374  
D629,226 S \* 12/2010 Thorfinnson ..... D6/379  
D629,630 S \* 12/2010 Saul ..... D6/380  
D635,790 S \* 4/2011 Saul ..... D6/380  
D638,641 S \* 5/2011 Piretti ..... D6/380  
D647,319 S \* 10/2011 Kubryk ..... D6/380  
D649,805 S \* 12/2011 Kubryk ..... D6/380  
D651,014 S \* 12/2011 Jordan ..... D6/374  
D654,282 S \* 2/2012 Lucci ..... D6/374  
D659,424 S \* 5/2012 Gramza ..... D6/380  
D660,612 S \* 5/2012 Smith ..... D6/374  
D672,162 S \* 12/2012 Kubryk ..... D6/380  
D675,457 S \* 2/2013 Guillot ..... D6/380  
D677,485 S \* 3/2013 Kubryk ..... D6/380  
D684,398 S \* 6/2013 Pedersen ..... D6/716  
D688,058 S \* 8/2013 Mascetti ..... D6/376  
D756,143 S \* 5/2016 Shokouhi ..... D6/380  
D779,221 S \* 2/2017 Maughan ..... D6/379

(Continued)

Primary Examiner — David G Muller  
Assistant Examiner — Nathan M Johnston  
(74) Attorney, Agent, or Firm — Locke Lord LLP

(56) **References Cited**

**U.S. PATENT DOCUMENTS**

2,440,470 A \* 4/1948 Greitzer ..... A47C 3/023  
297/440.2  
D178,095 S \* 6/1956 Van Koert ..... D6/380  
D194,838 S \* 3/1963 Ridder ..... D6/374  
4,400,031 A \* 8/1983 DeDecker ..... A47C 3/04  
108/91  
D278,870 S \* 5/1985 Giorgetti ..... D6/369  
D353,270 S \* 12/1994 Locher ..... D6/372  
D378,168 S \* 2/1997 Lewis ..... D6/334  
D589,275 S \* 3/2009 Kubryk ..... D6/374  
D597,757 S \* 8/2009 Barbieri ..... D6/374  
D598,667 S \* 8/2009 Kubryk ..... D6/369  
D599,129 S \* 9/2009 Opsvik ..... D6/380  
D602,279 S \* 10/2009 Kubryk ..... D6/380

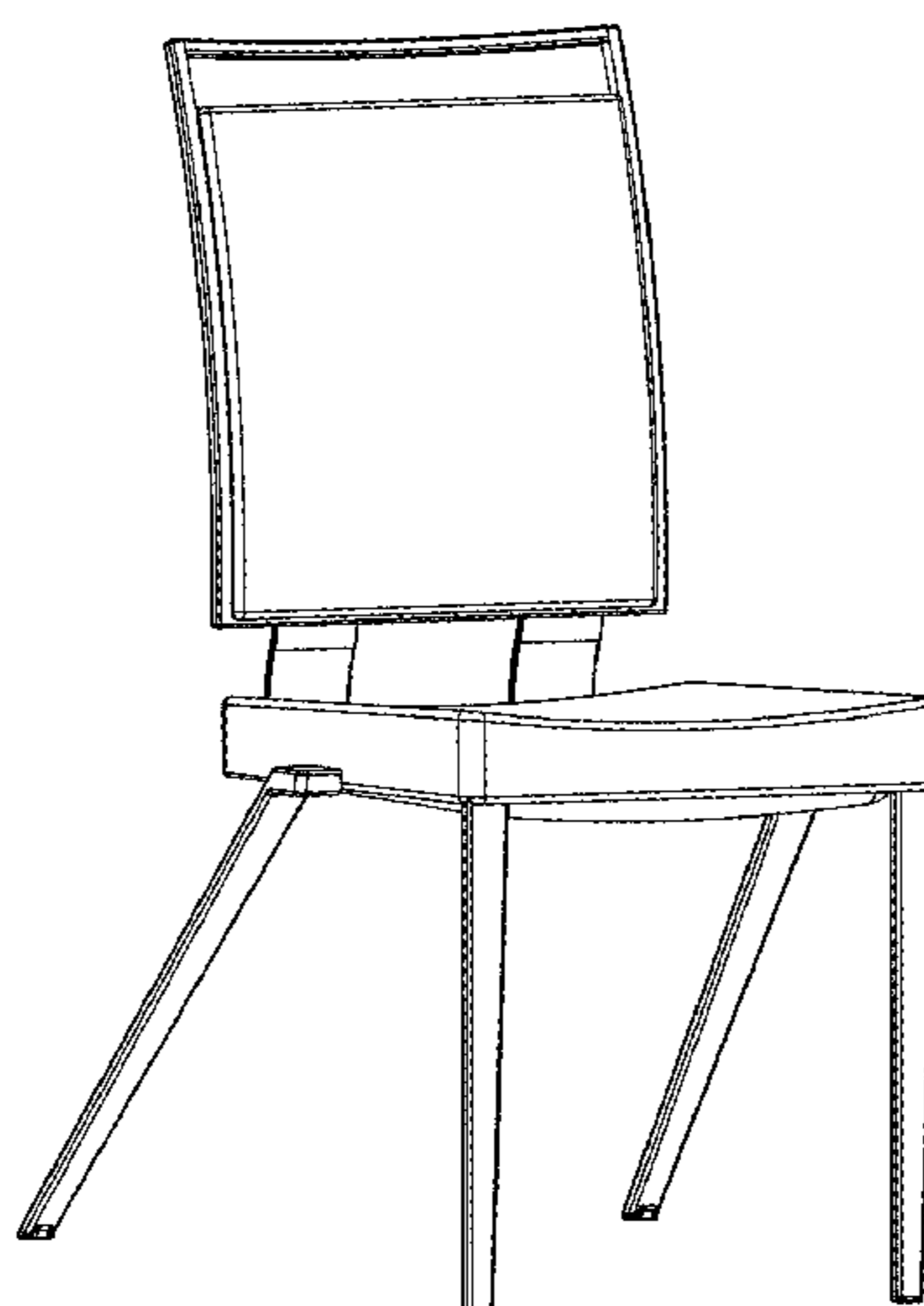
(57) **CLAIM**

The ornamental design for a stack chair, as shown and described.

**DESCRIPTION**

FIG. 1 is a perspective view of a single stack chair showing my new design;  
FIG. 2 is a side elevation view thereof;  
FIG. 3 is a front elevation view thereof;  
FIG. 4 is top plan view thereof;  
FIG. 5 is three-quarter top front view thereof; and,  
FIG. 6 is three-quarter top rear view thereof.

**1 Claim, 2 Drawing Sheets**



(56)

**References Cited**

U.S. PATENT DOCUMENTS

D787,843 S *	5/2017	Griffith	.....	D6/334
D787,844 S *	5/2017	Griffith	.....	D6/334
D787,849 S *	5/2017	Lin	.....	D6/376
2007/0222268 A1 *	9/2007	Saez	.....	A47C 3/04 297/354.11

\* cited by examiner

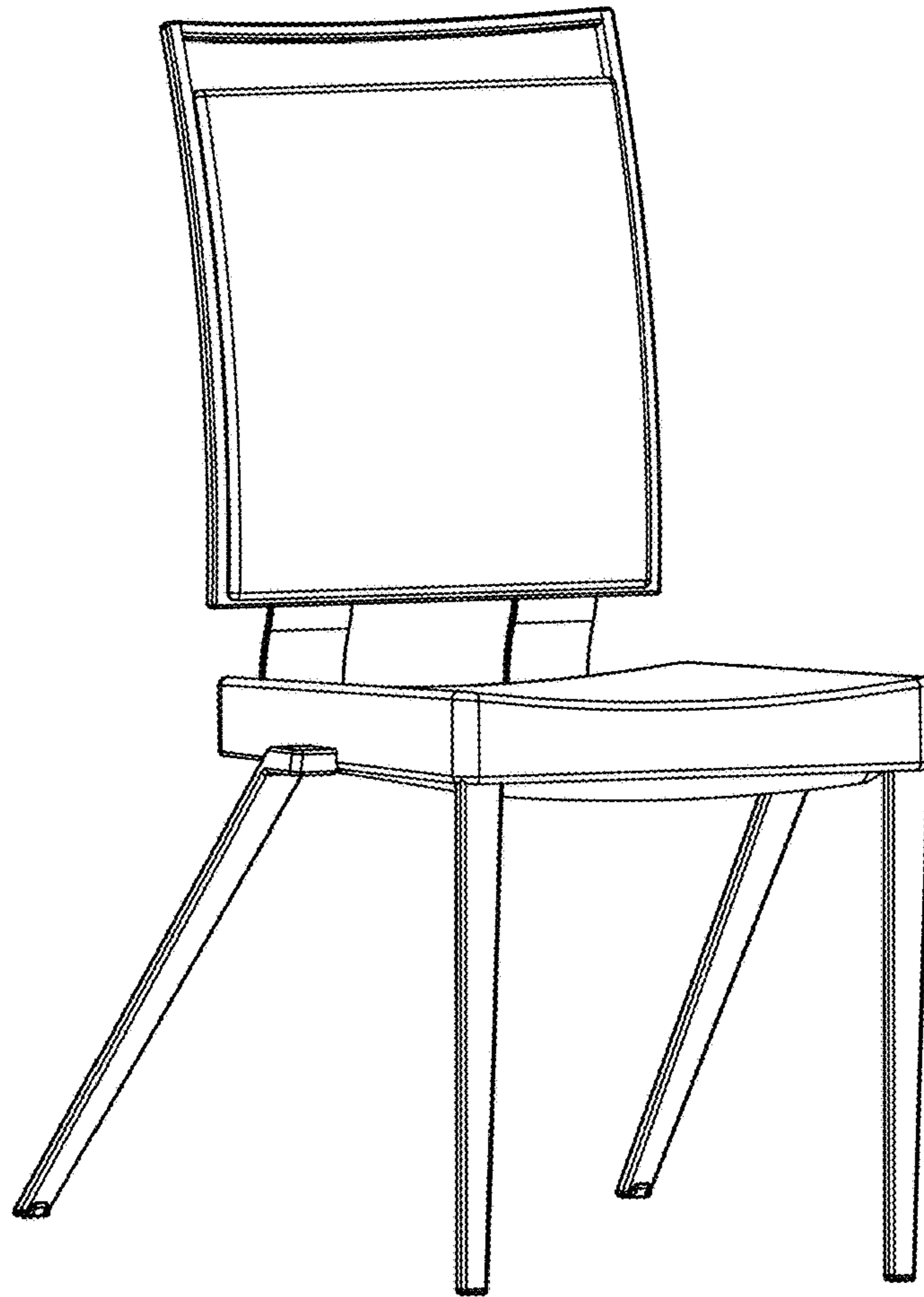


Fig. 1

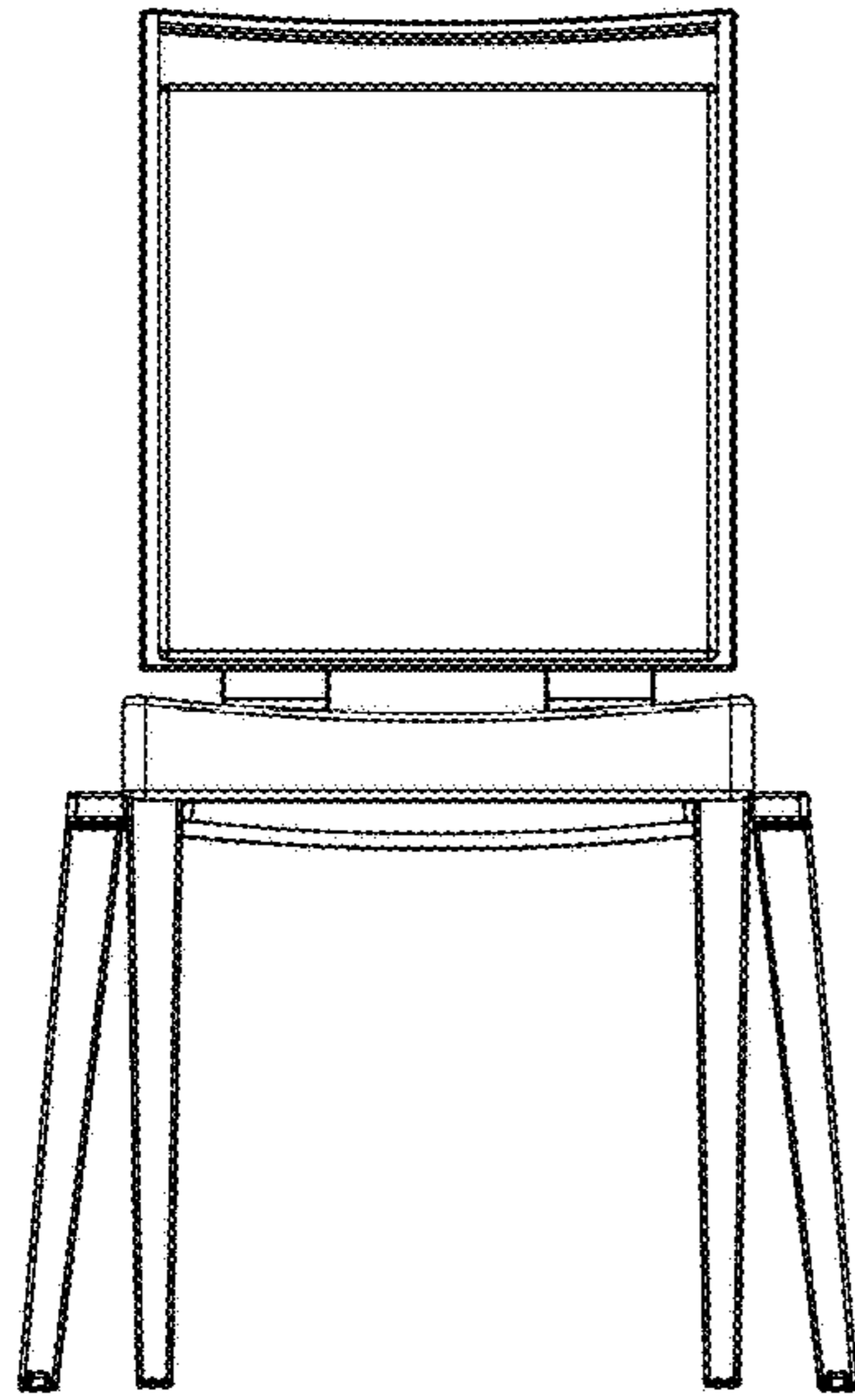


Fig. 3

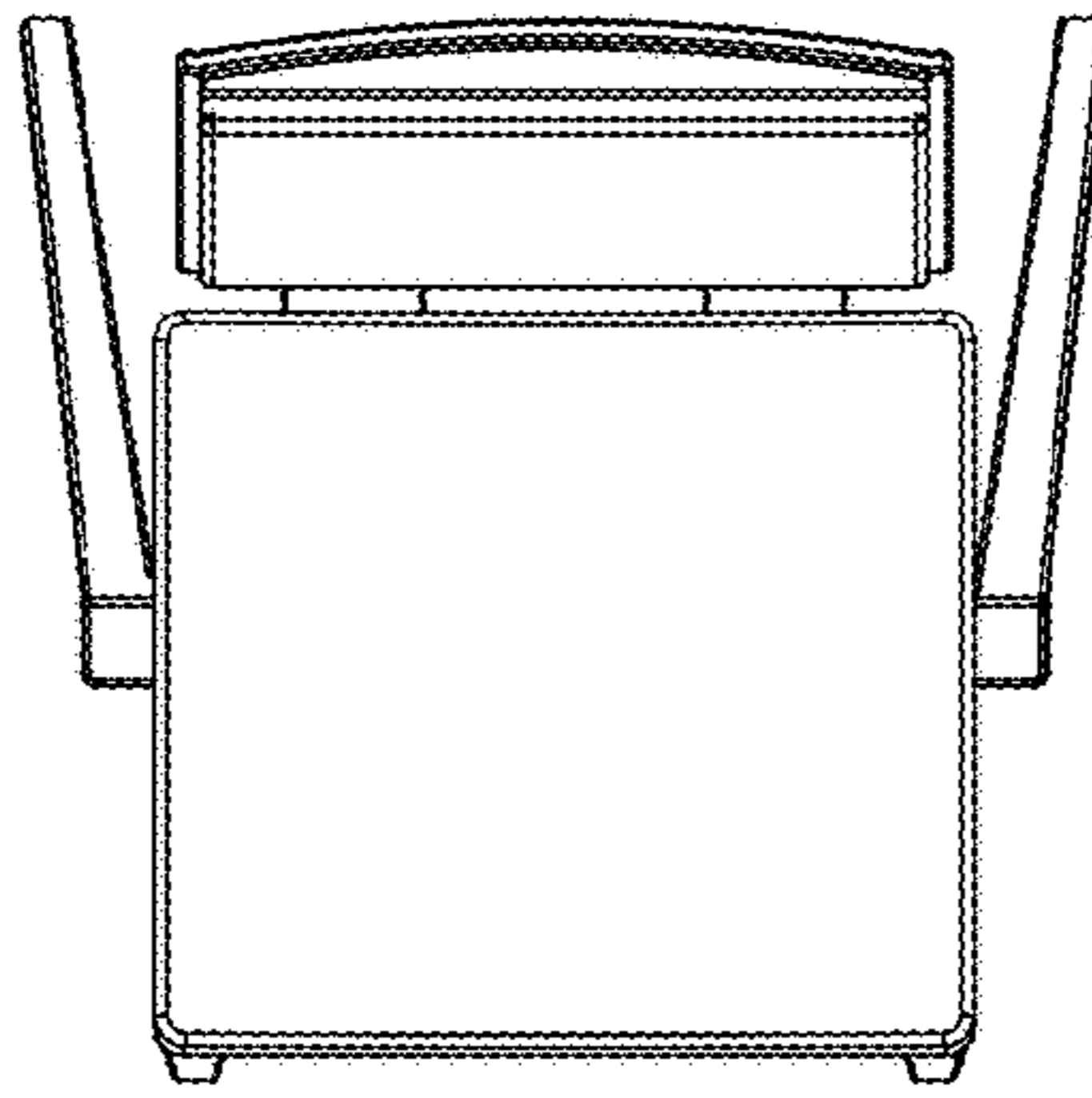


Fig. 4

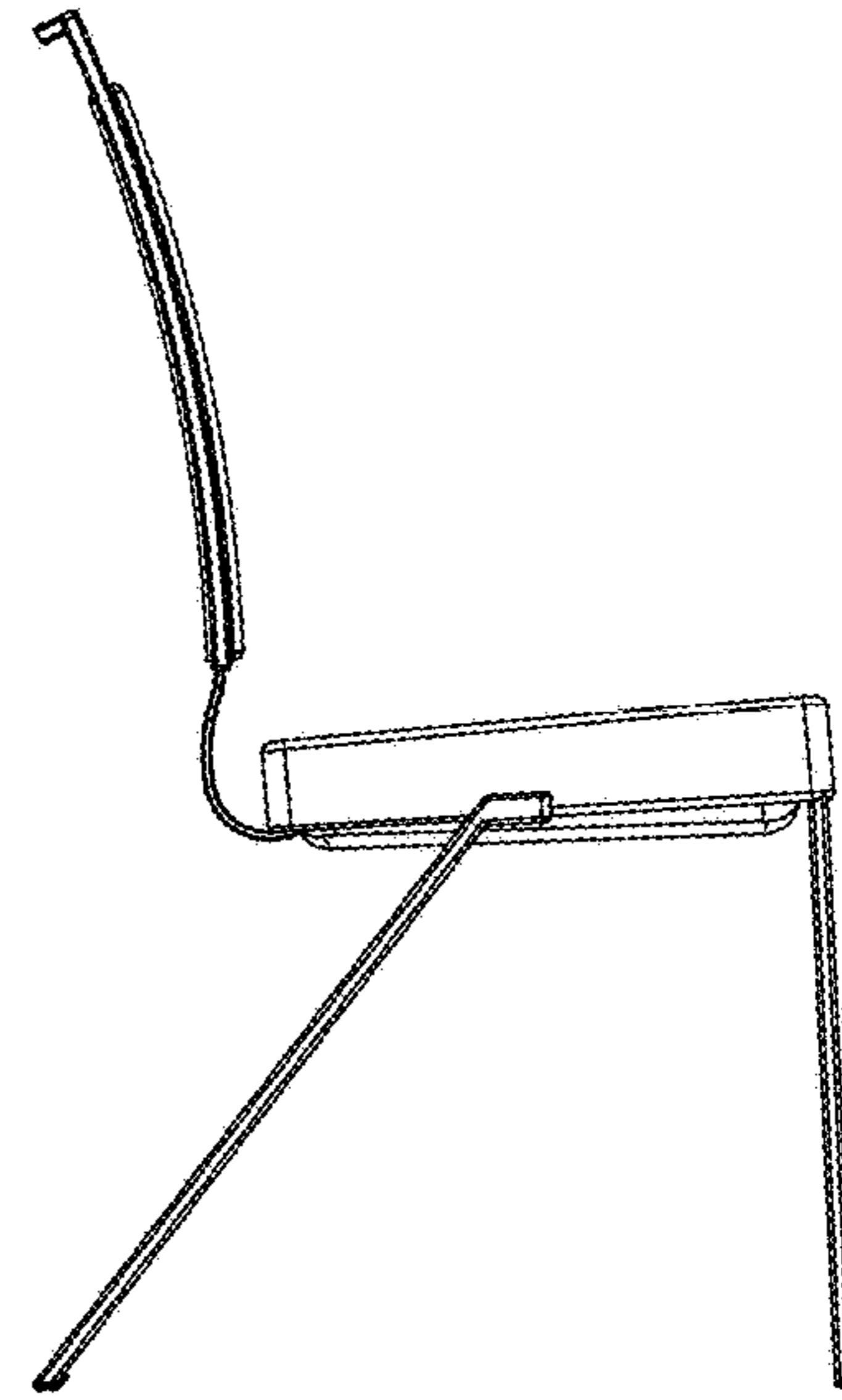


Fig. 2

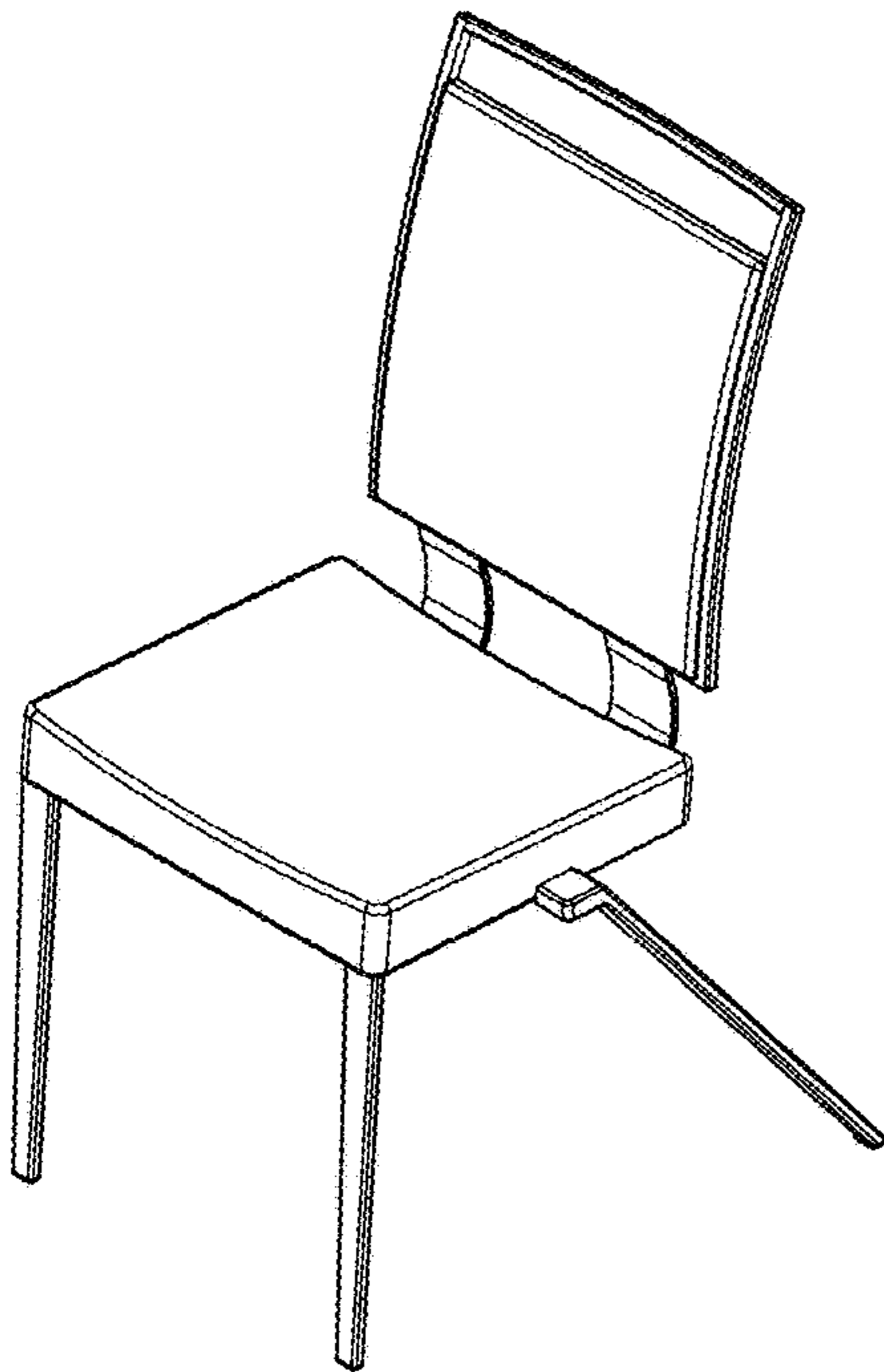


Fig. 5

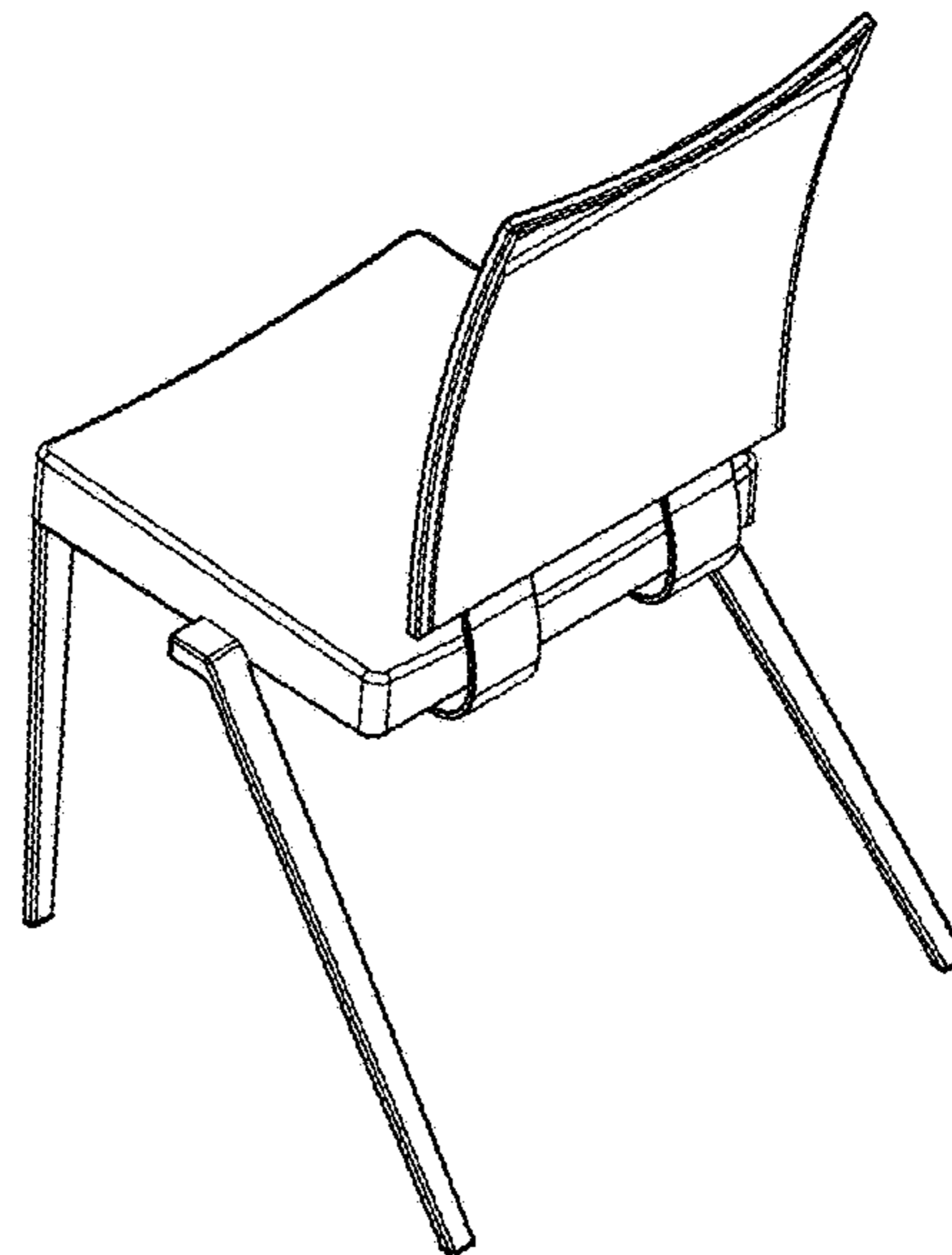


Fig. 6