



US00D848169S

(12) **United States Design Patent**
Wu

(10) **Patent No.:** **US D848,169 S**

(45) **Date of Patent:** **** May 14, 2019**

(54) **OFFICE CHAIR**

(71) Applicant: **Chong Wu**, Guangdong (CN)

(72) Inventor: **Chong Wu**, Guangdong (CN)

(**) Term: **15 Years**

(21) Appl. No.: **29/591,785**

(22) Filed: **Jan. 24, 2017**

(51) **LOC (11) Cl.** **06-01**

(52) **U.S. Cl.**
USPC **D6/366**

(58) **Field of Classification Search**
USPC D6/334-336, 364, 365, 366, 374, 379,
D6/380, 716, 716.1, 716.2, 716.4, 708.23,
D6/708.24
CPC .. A47C 7/54; A47C 3/24; A47C 7/282; A47C
7/40; A47C 7/46; A47C 7/462; A47C
7/24; A47C 7/004

See application file for complete search history.

(56) **References Cited**

U.S. PATENT DOCUMENTS

- D394,961 S * 6/1998 Fancelli D6/366
- 6,572,190 B2 * 6/2003 Koepke A47C 7/46
297/284.1
- D541,063 S * 4/2007 Su D6/366
- D695,537 S * 12/2013 Geelen D6/366

- D705,561 S * 5/2014 Massaud D6/366
- D707,460 S * 6/2014 Giugiaro D6/366
- D735,483 S * 8/2015 Wu D6/366
- D738,129 S * 9/2015 Wu D6/366
- D766,026 S * 9/2016 Wu D6/716.4
- D775,847 S * 1/2017 Wagner D6/366
- D779,249 S * 2/2017 Cassaday D6/716.4

* cited by examiner

Primary Examiner — Mimoso De

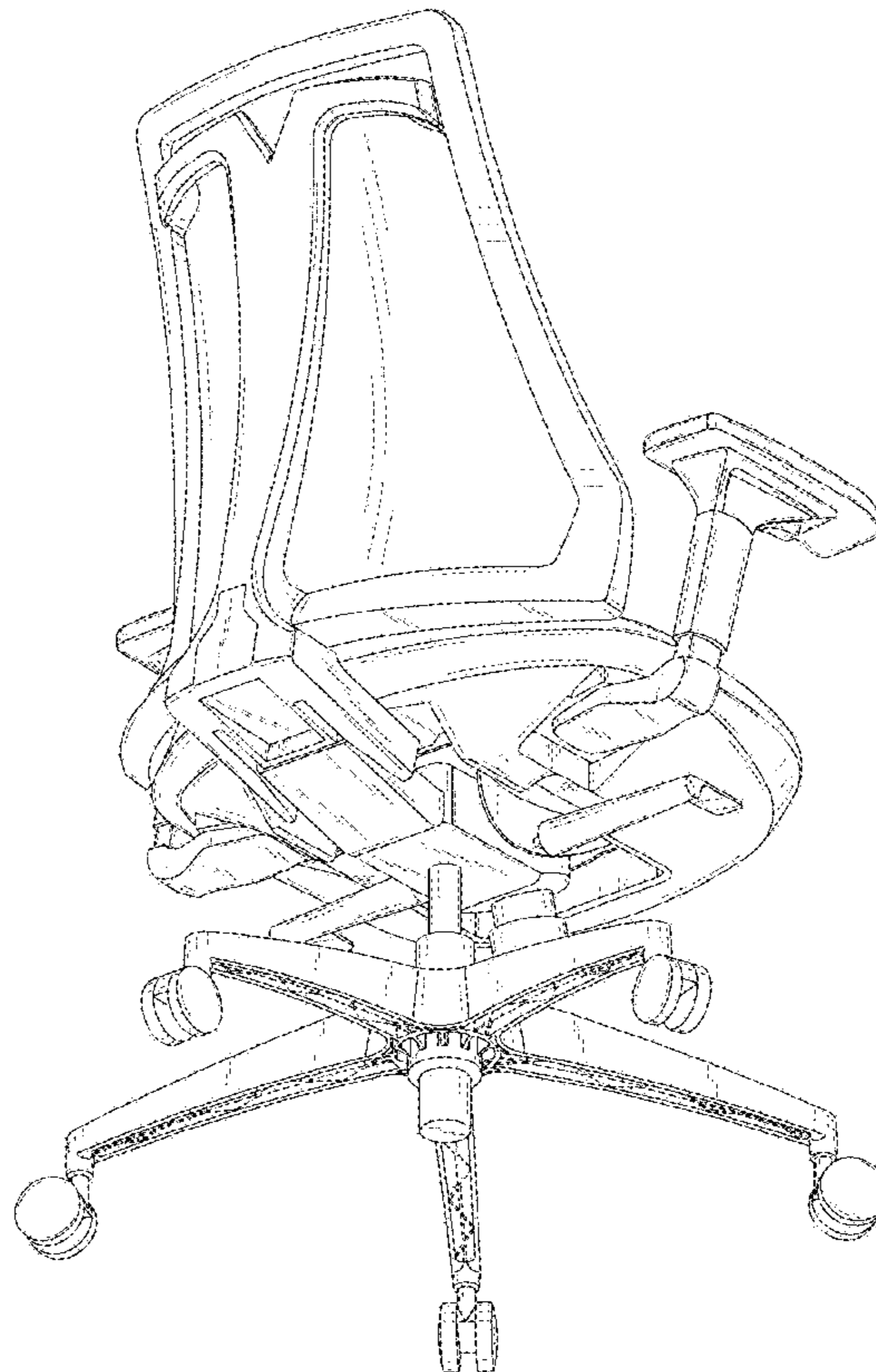
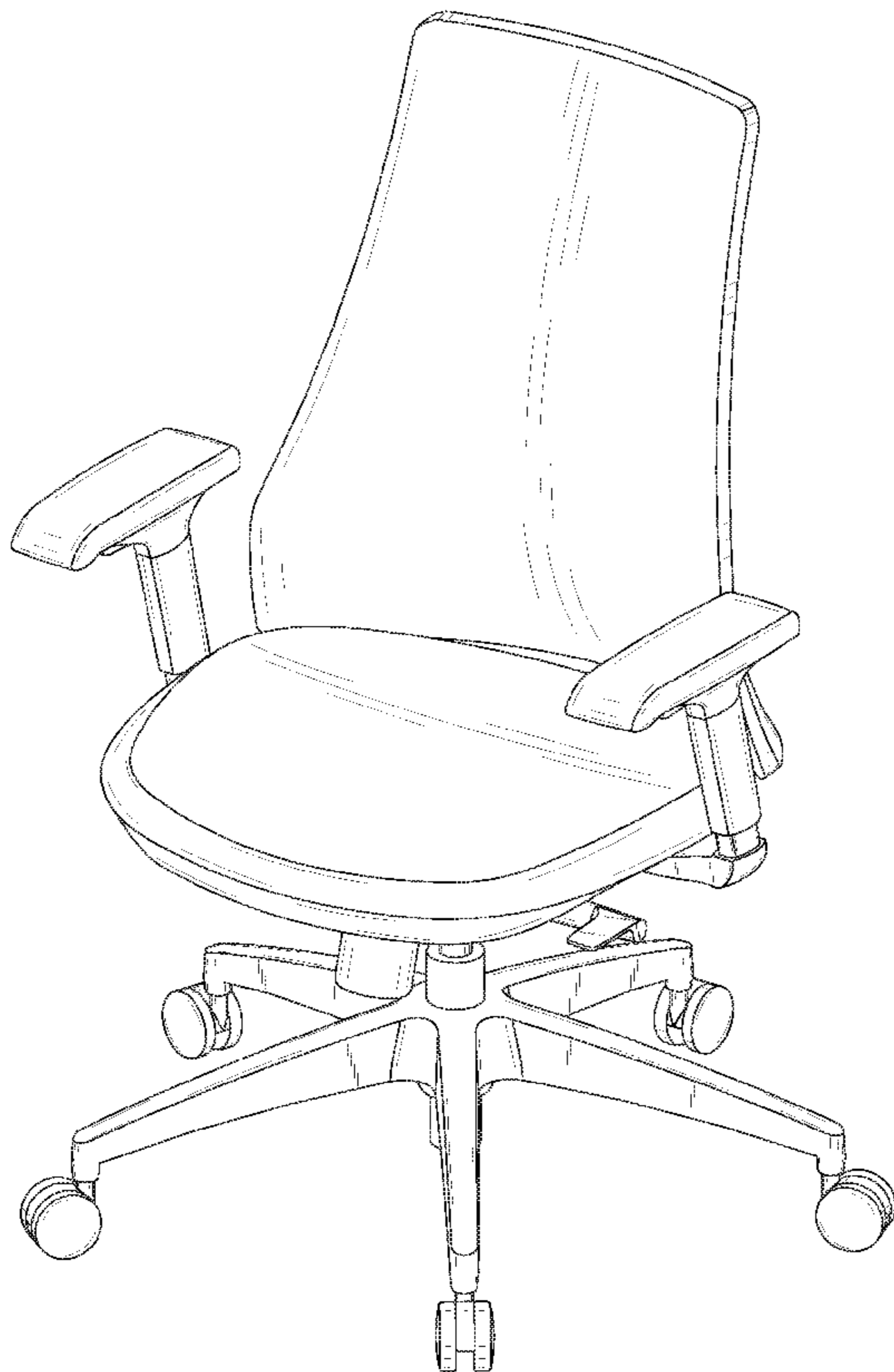
(57) **CLAIM**

The ornamental design for an office chair, as shown and described.

DESCRIPTION

FIG. 1 is a front view of the office chair showing our new design;
 FIG. 2 is a back view thereof;
 FIG. 3 is a left side view thereof;
 FIG. 4 is a right side view thereof;
 FIG. 5 is a top view thereof;
 FIG. 6 is a bottom view thereof;
 FIG. 7 is a top perspective view thereof; and,
 FIG. 8 is a bottom perspective view thereof.
 The broken lines show portions of the article not claimed and form no part of the claimed design.

1 Claim, 8 Drawing Sheets



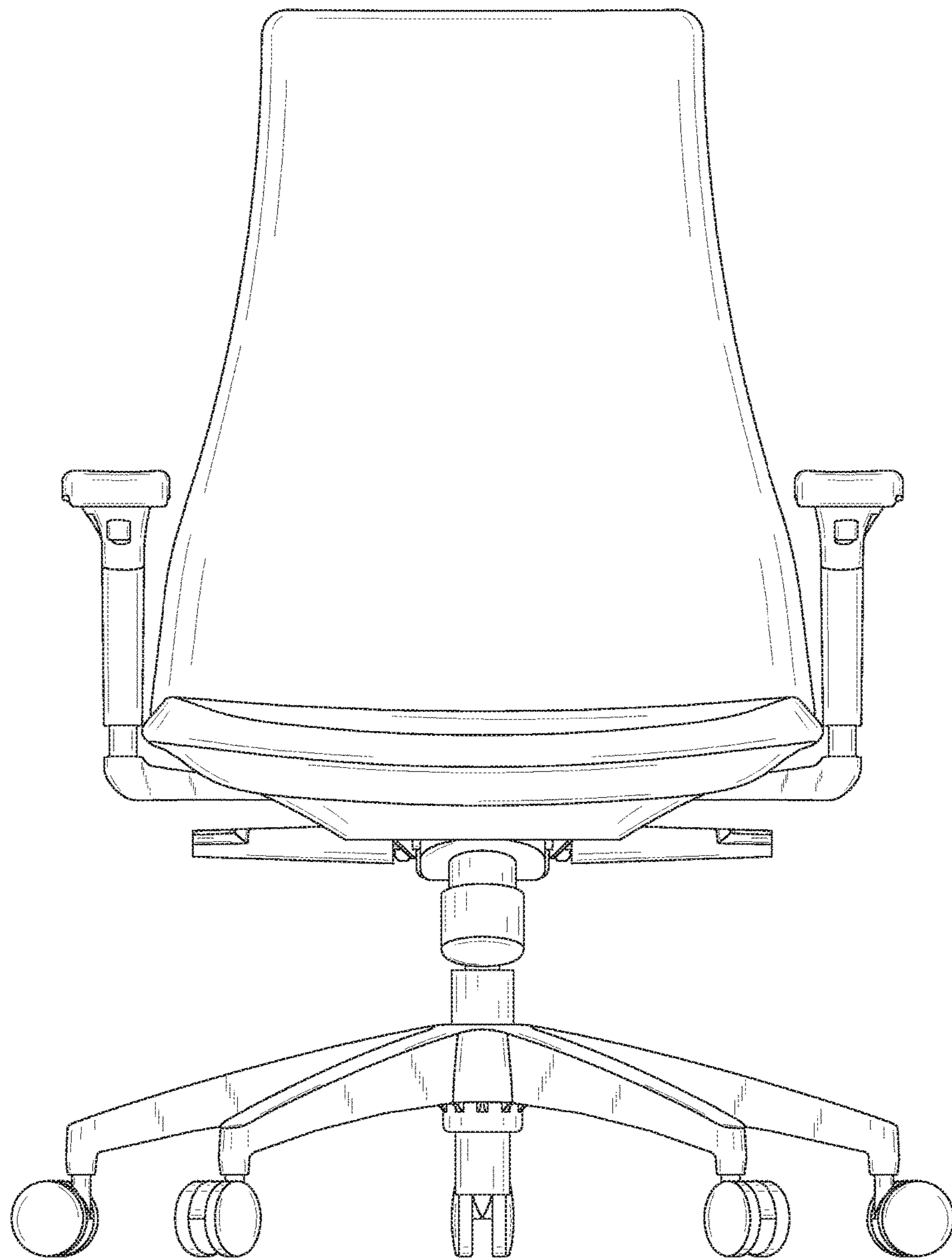


FIG. 1

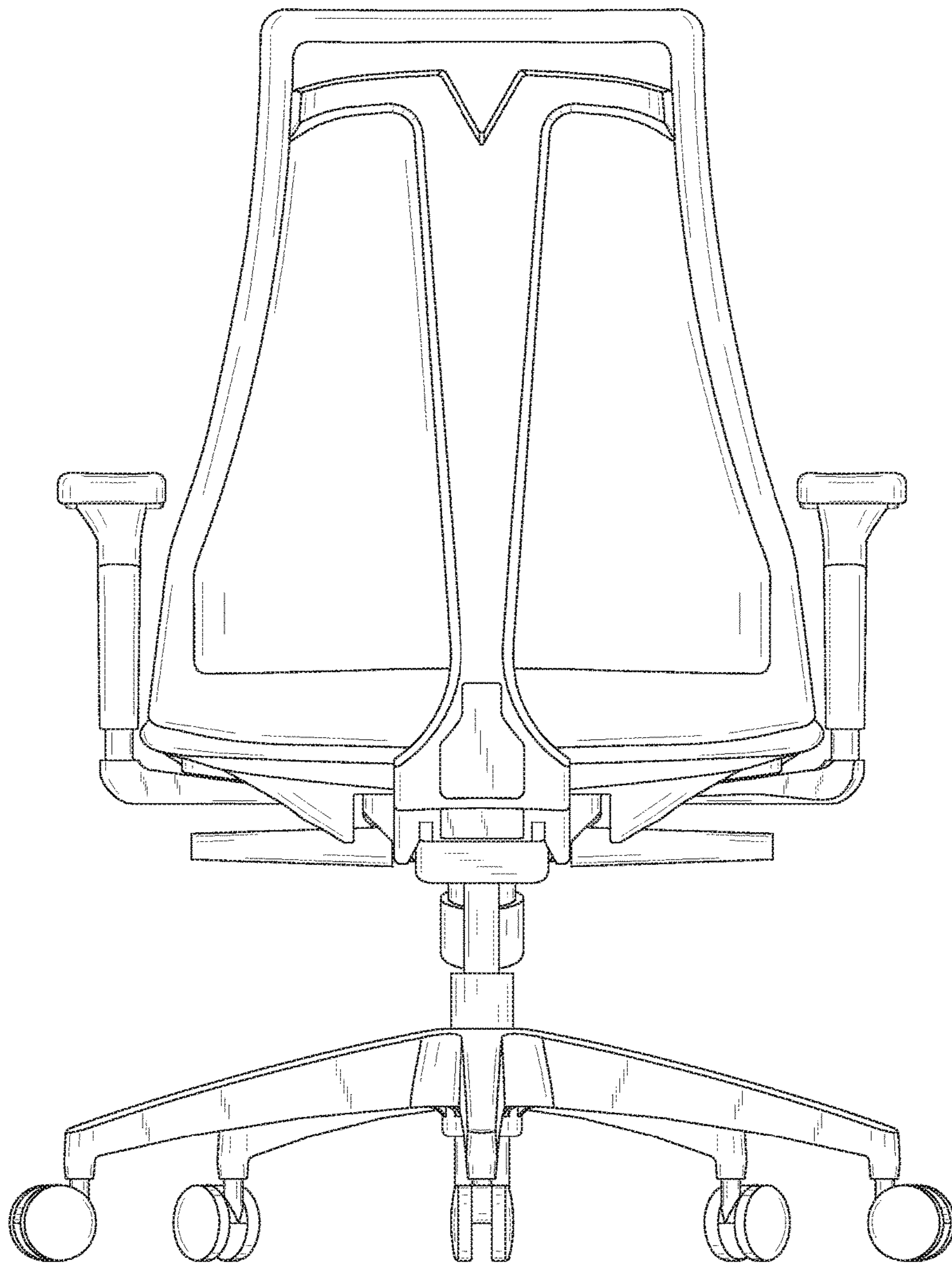


FIG.2

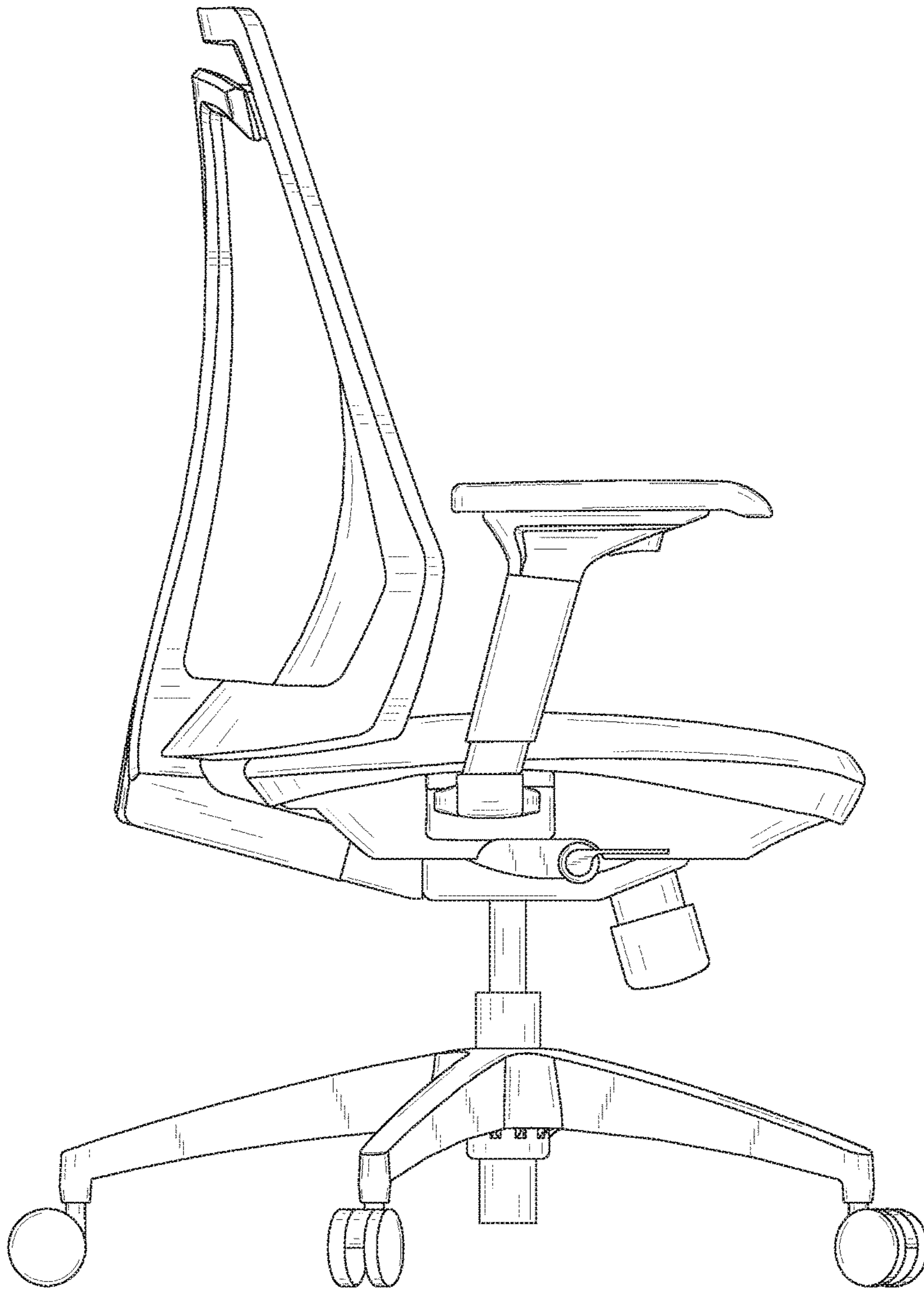


FIG.3

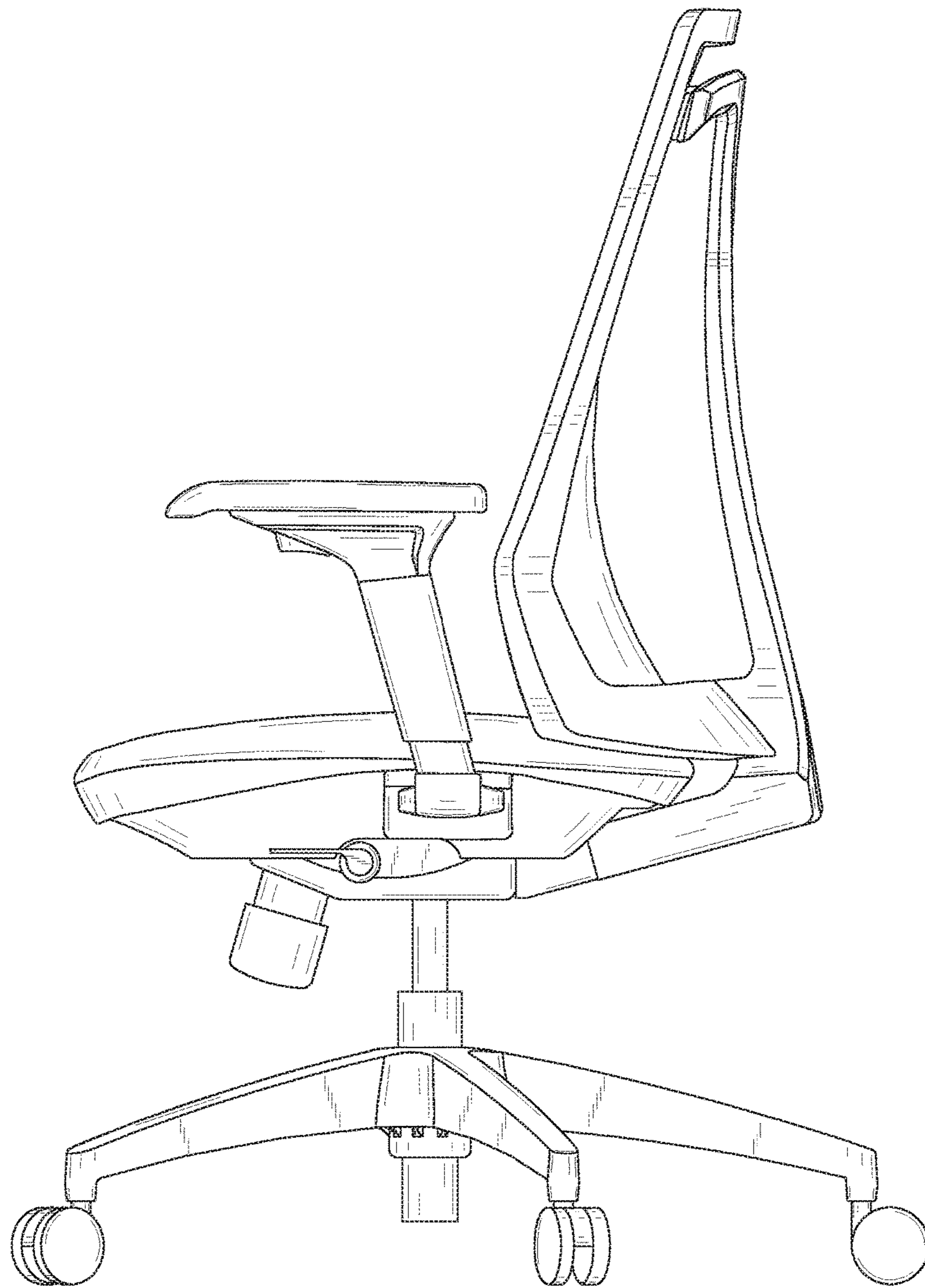


FIG.4

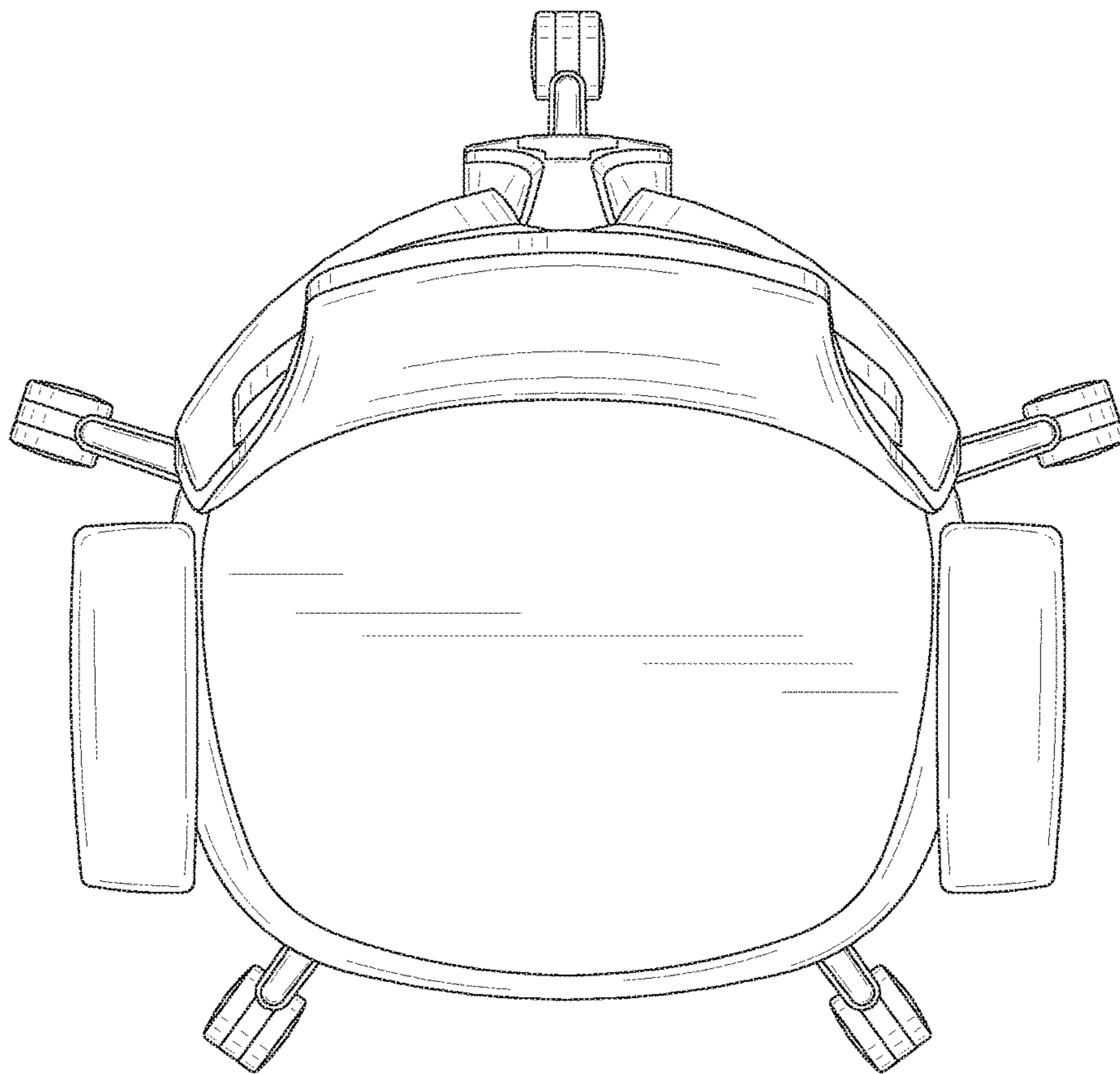


FIG. 5

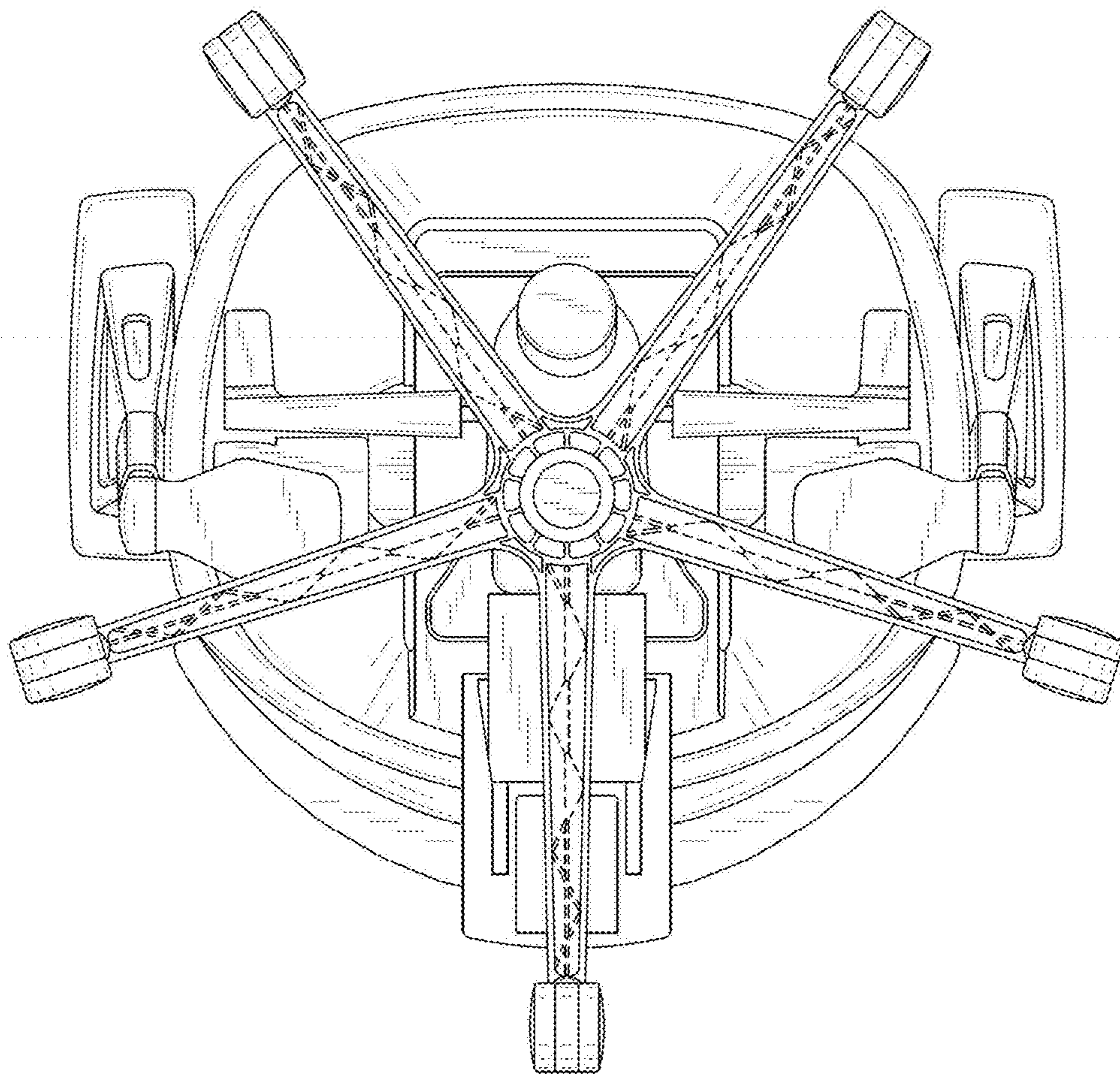


FIG.6



FIG.7

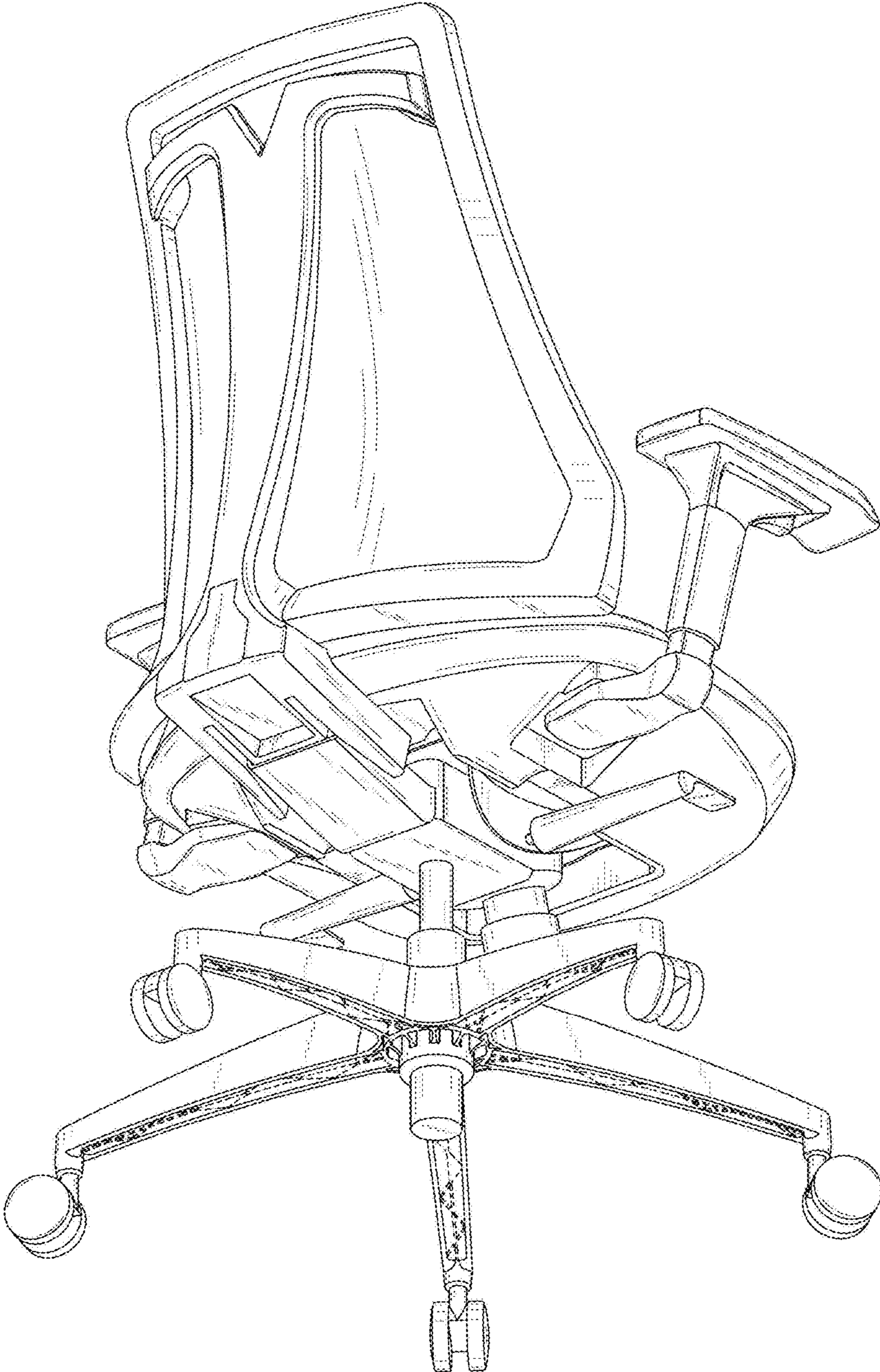


FIG.8