



US00D848168S

(12) **United States Design Patent** (10) **Patent No.:** **US D848,168 S**  
**Levin** (45) **Date of Patent:** **\*\* May 14, 2019**

(54) **BOAT CHAIR**  
(71) Applicant: **Eric Martin Levin**, Severna Park, MD (US)  
(72) Inventor: **Eric Martin Levin**, Severna Park, MD (US)

(\*\*) Term: **15 Years**

(21) Appl. No.: **29/634,962**

(22) Filed: **Jan. 25, 2018**

(51) **LOC (11) Cl.** ..... **06-01**

(52) **U.S. Cl.**  
USPC ..... **D6/356**

(58) **Field of Classification Search**  
USPC ..... D6/339, 353, 356, 368, 601, 655, 716.1, D6/716.2, 716.3, 716.4, 716.5, 716.6, D6/716.7  
CPC .. A47C 3/04; A47C 3/16; A47C 7/021; A47C 7/407; A47C 17/1655; A47K 3/122; B60N 2/02; B60N 2/20; B60N 2/22; B60N 2/32; B60N 2/38; B60N 2/3002; B60N 2/3004; B60N 2/3011; B60N 2/3065; B60N 2/3097; B63B 2709/00; B63B 29/04; B63B 2029/043; Y10S 297/02

See application file for complete search history.

(56) **References Cited**

**U.S. PATENT DOCUMENTS**

2,792,053 A \* 5/1957 Kursman ..... A47K 3/122 108/134  
4,926,783 A 5/1990 Lathers  
D312,004 S \* 11/1990 Smith ..... D6/368  
5,020,854 A \* 6/1991 Powell ..... A47C 1/146 297/377  
5,052,076 A \* 10/1991 Spaeth ..... B63B 29/04 16/266  
5,058,949 A \* 10/1991 Von Hoffman ..... A47C 4/286 297/378.12  
D377,574 S \* 1/1997 Makes ..... D6/336

5,688,023 A \* 11/1997 Blocker, Jr. .... A47C 7/62 297/188.03  
5,688,024 A \* 11/1997 Arizpe-Gilmore ... A01M 31/02 297/217.1  
5,697,318 A 12/1997 Kobayashi  
6,283,059 B1 9/2001 Scully, Jr.  
6,321,912 B1 \* 11/2001 Lippert ..... A45C 5/14 206/320  
6,527,341 B1 3/2003 Martin  
(Continued)

*Primary Examiner* — Kevin K Rudzinski  
*Assistant Examiner* — Paul D Bohannon  
(74) *Attorney, Agent, or Firm* — Garcia-Zamor IP Law; Ruy M. Garcia-Zamor

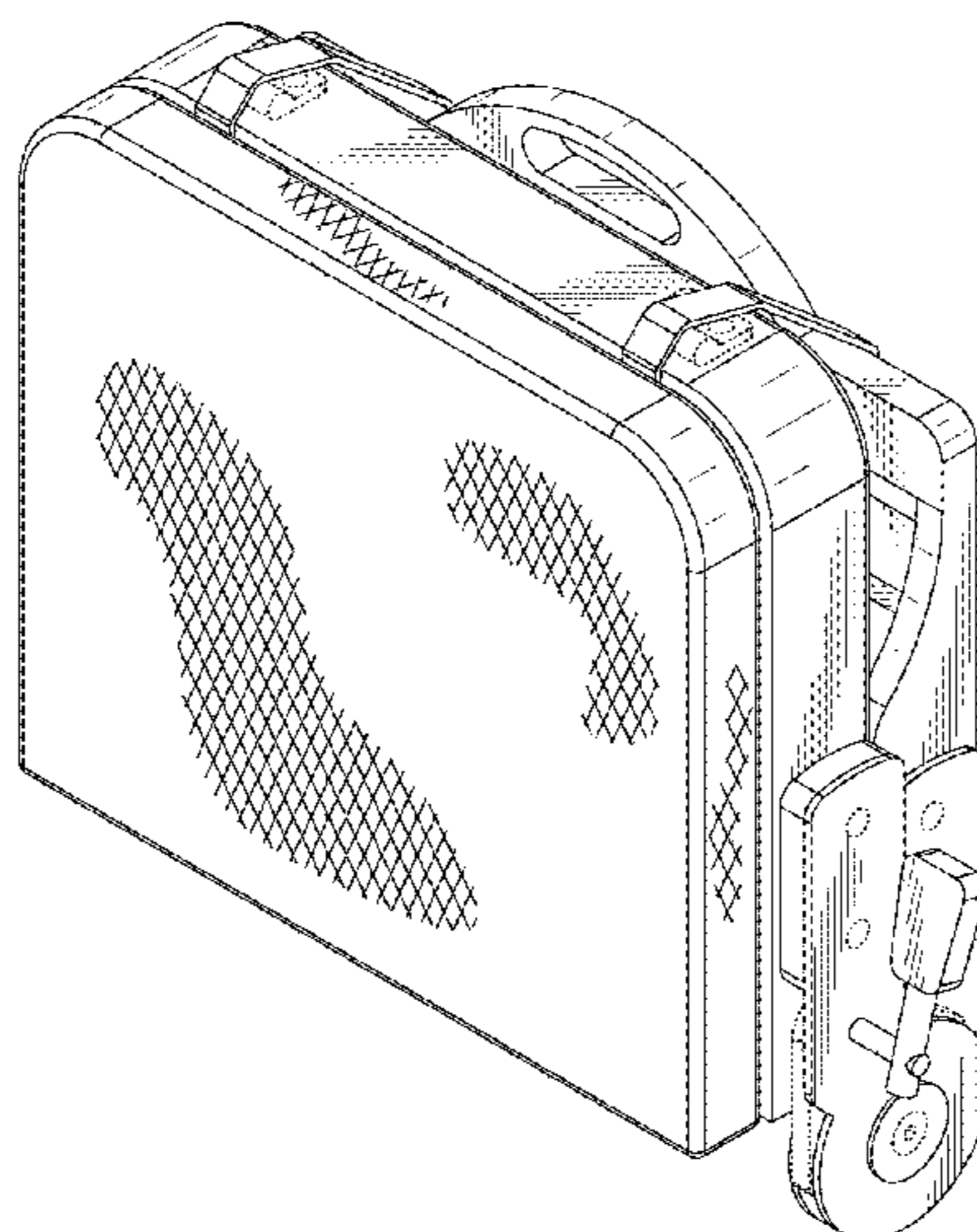
(57) **CLAIM**

The ornamental design for a boat chair, as shown and described.

**DESCRIPTION**

FIG. 1 is a top front perspective view of a boat chair according to the present invention;  
FIG. 2 is a front side elevational view of the boat chair of FIG. 1;  
FIG. 3 is a rear side elevational view of the boat chair of FIG. 1;  
FIG. 4 is a left side elevational view of the boat chair of FIG. 1;  
FIG. 5 is a right side elevational of the boat chair of FIG. 1;  
FIG. 6 is a top plan view of the boat chair of FIG. 1;  
FIG. 7 is a bottom plan view of the boat chair of FIG. 1;  
FIG. 8 is a rear left bottom perspective view of the boat chair of FIG. 1; and,  
FIG. 9 is rear right top perspective view of the boat chair of FIG. 1.  
The broken lines in FIGS. 1-9 represent environment and are for illustrative purposes only and do not constitute part of the claimed design.

**1 Claim, 7 Drawing Sheets**



(56)

**References Cited**

U.S. PATENT DOCUMENTS

6,880,482	B2	4/2005	Huse	
6,981,741	B2 *	1/2006	Sirjoo .....	A47C 3/16 297/354.12
7,066,548	B2	6/2006	Butler	
7,107,927	B2	9/2006	Hopper	
7,213,692	B2 *	5/2007	Wang .....	A45C 9/00 190/8
D569,118	S *	5/2008	Lin .....	D6/368
7,367,616	B2	5/2008	Summerford	
D673,786	S *	1/2013	Szyma ski .....	D6/356
D727,046	S *	4/2015	Alexander .....	D6/356
D727,047	S *	4/2015	Alexander .....	D6/356
9,021,975	B1	5/2015	Fodor	
D740,579	S *	10/2015	Begin .....	D6/356
9,955,790	B2 *	5/2018	Tang .....	A47C 7/48
10,040,378	B2 *	8/2018	Hansen .....	B60N 2/3075
2010/0037814	A1	2/2010	Sahr	
2015/0097405	A1 *	4/2015	Schukalski .....	B60N 2/20 297/354.1
2015/0313365	A1 *	11/2015	Thomas .....	A47C 1/16 5/653

\* cited by examiner

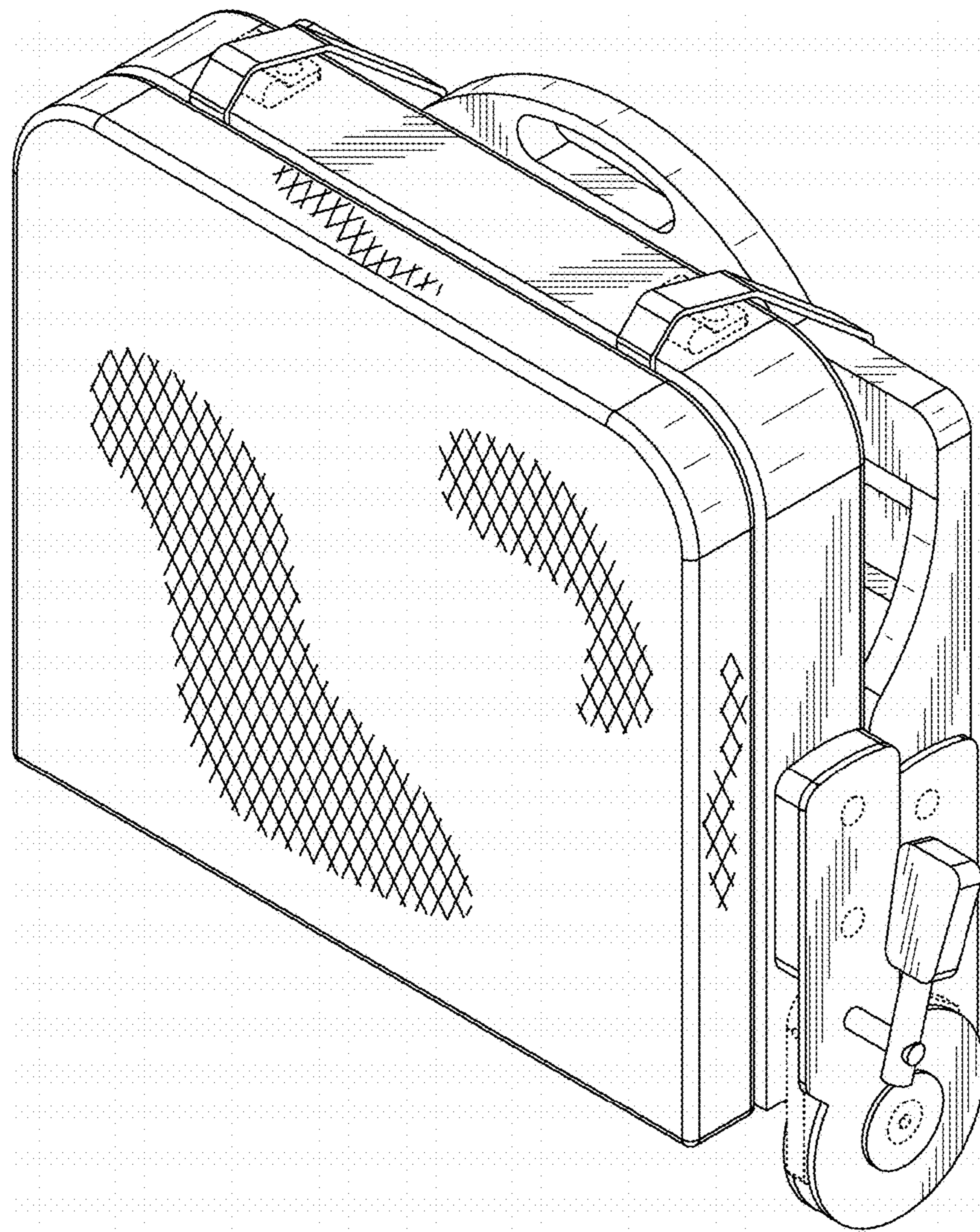


FIG. 1

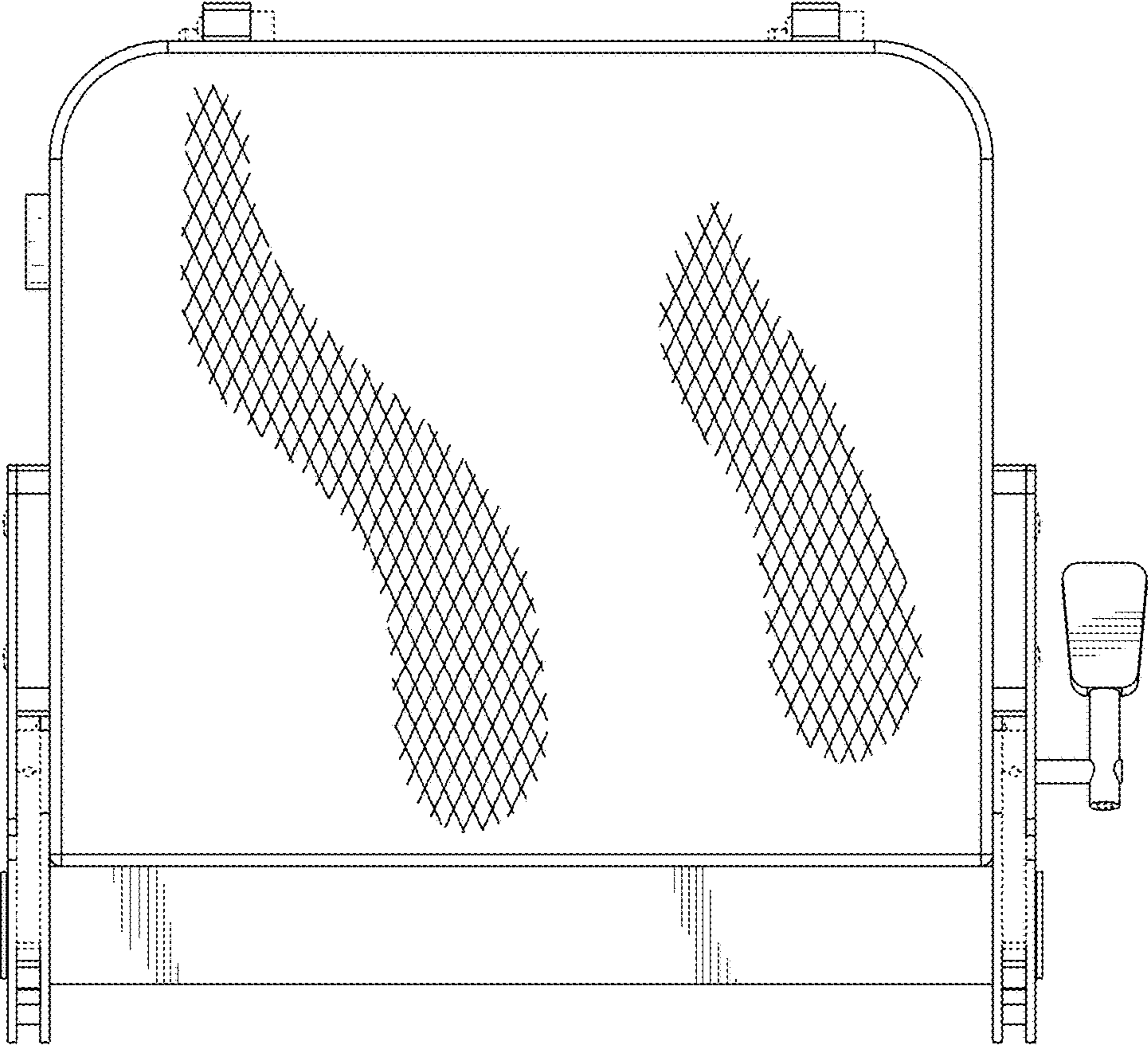


FIG. 2

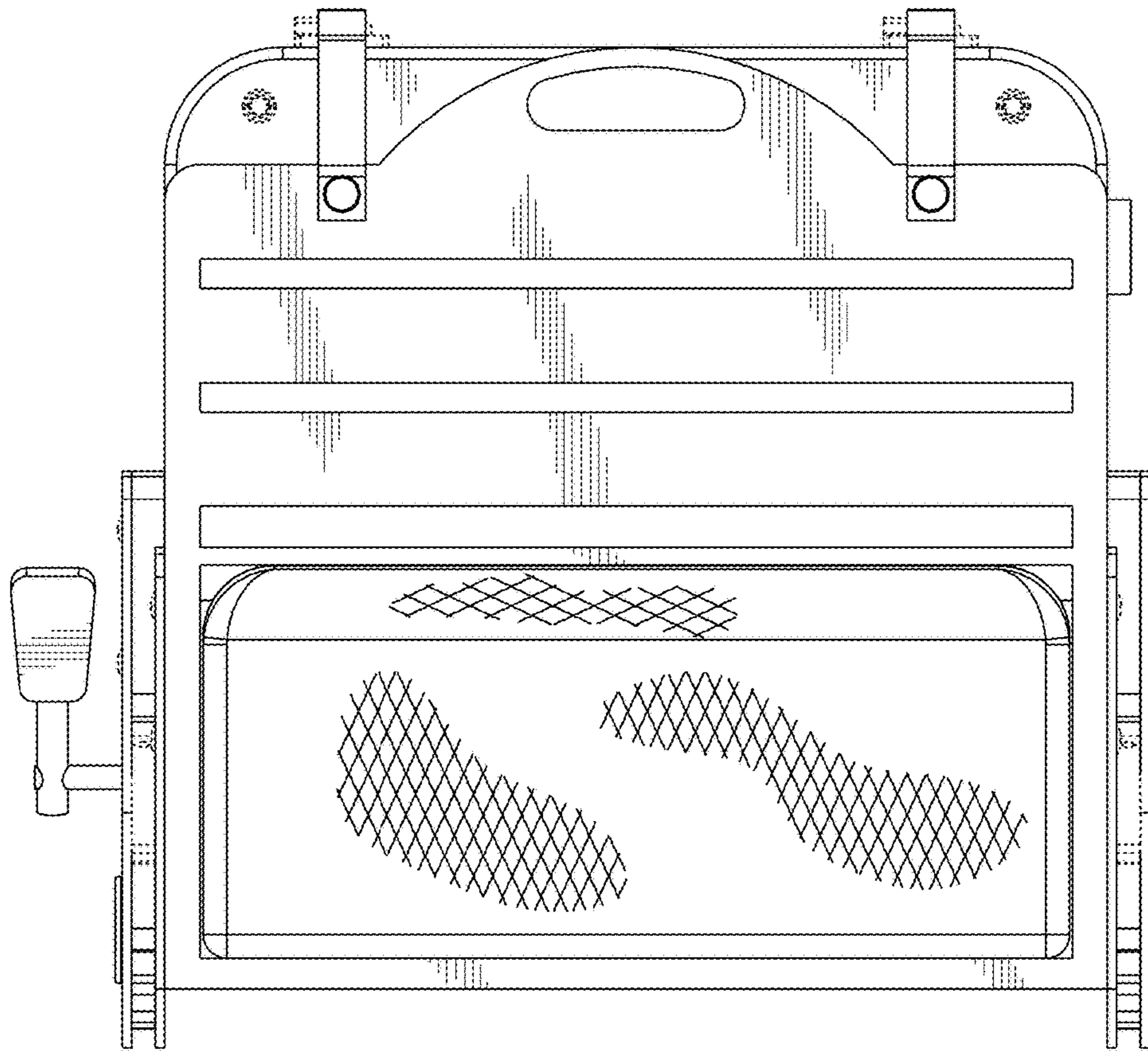


FIG. 3

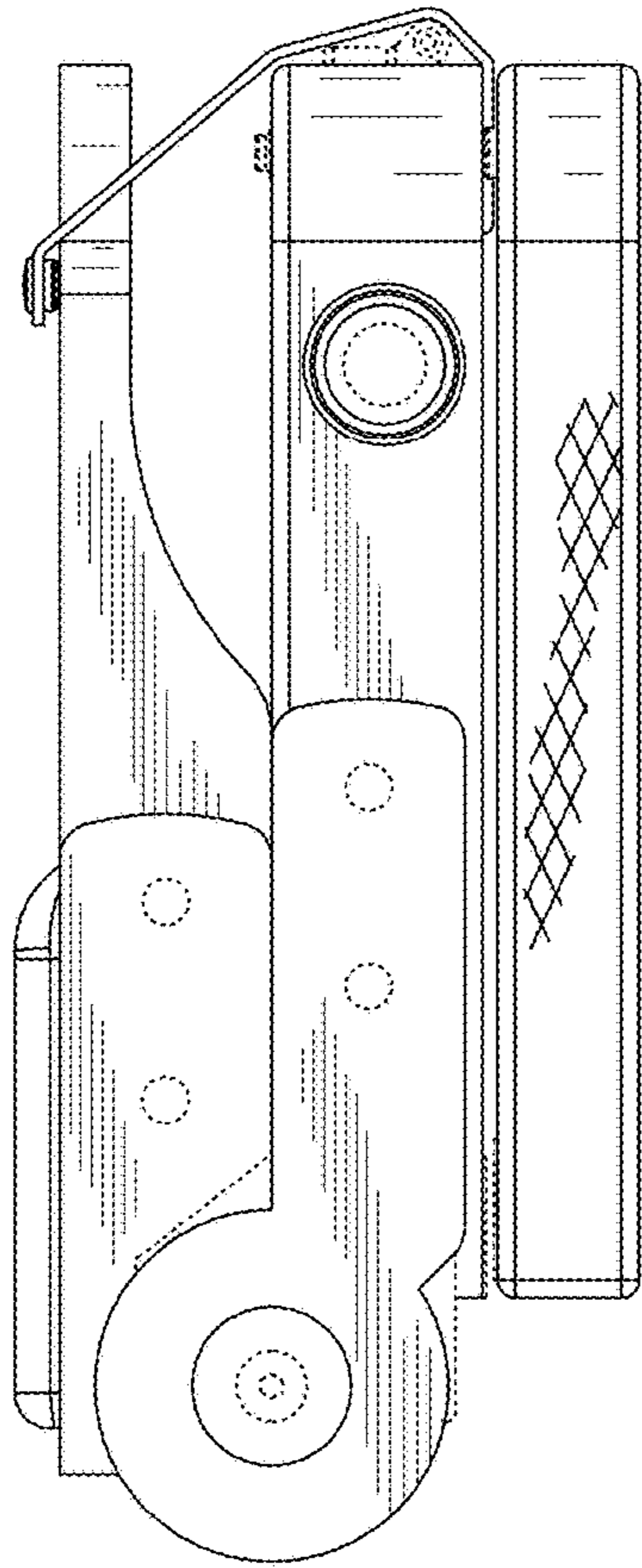


FIG. 4

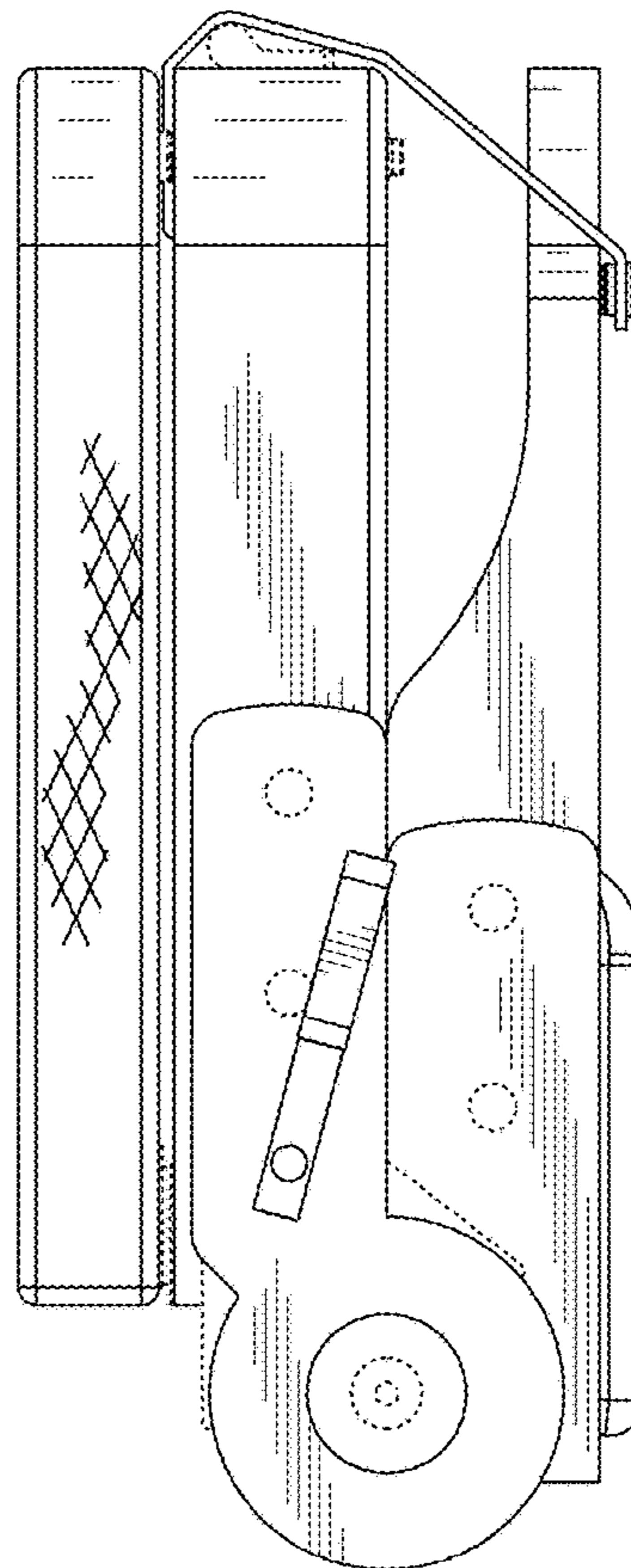


FIG. 5

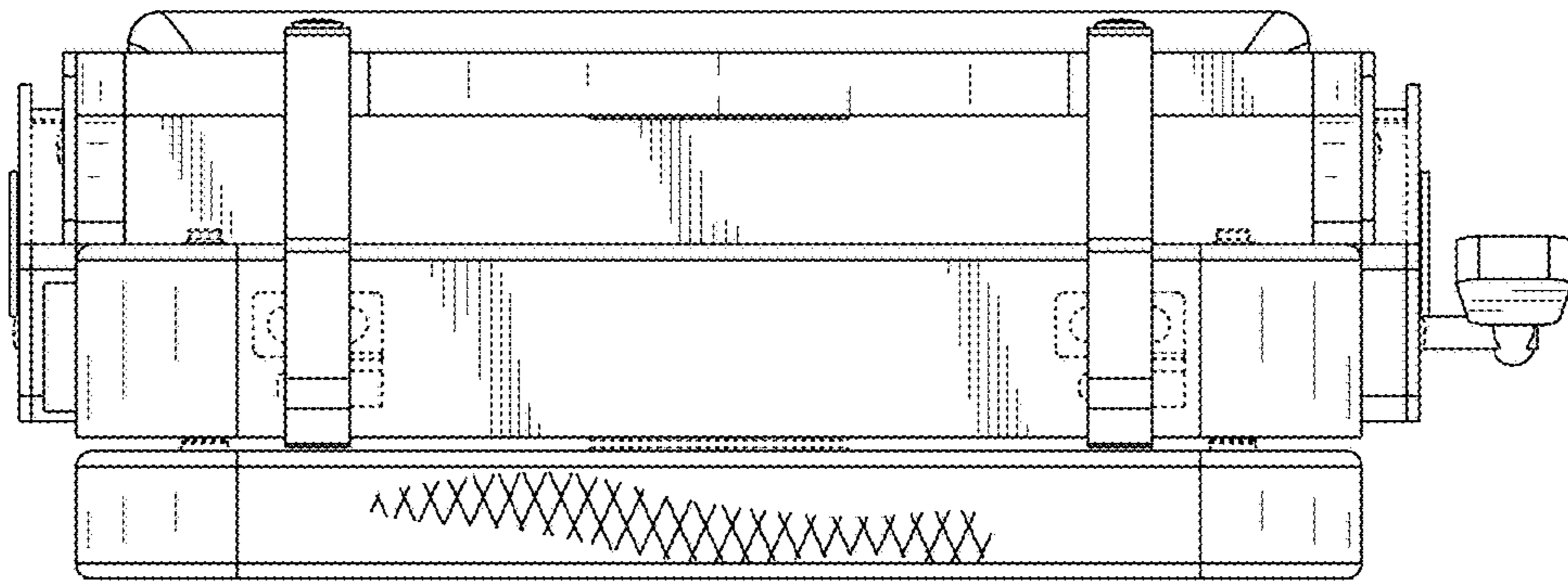


FIG. 6

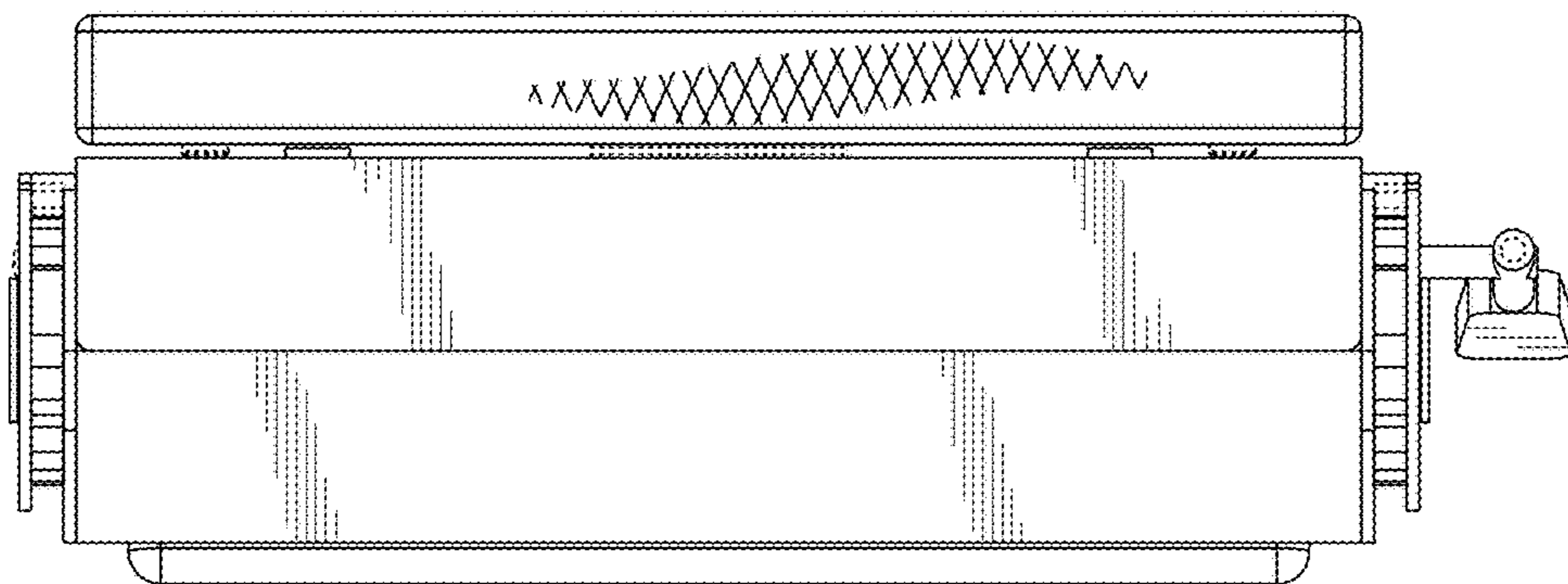


FIG. 7

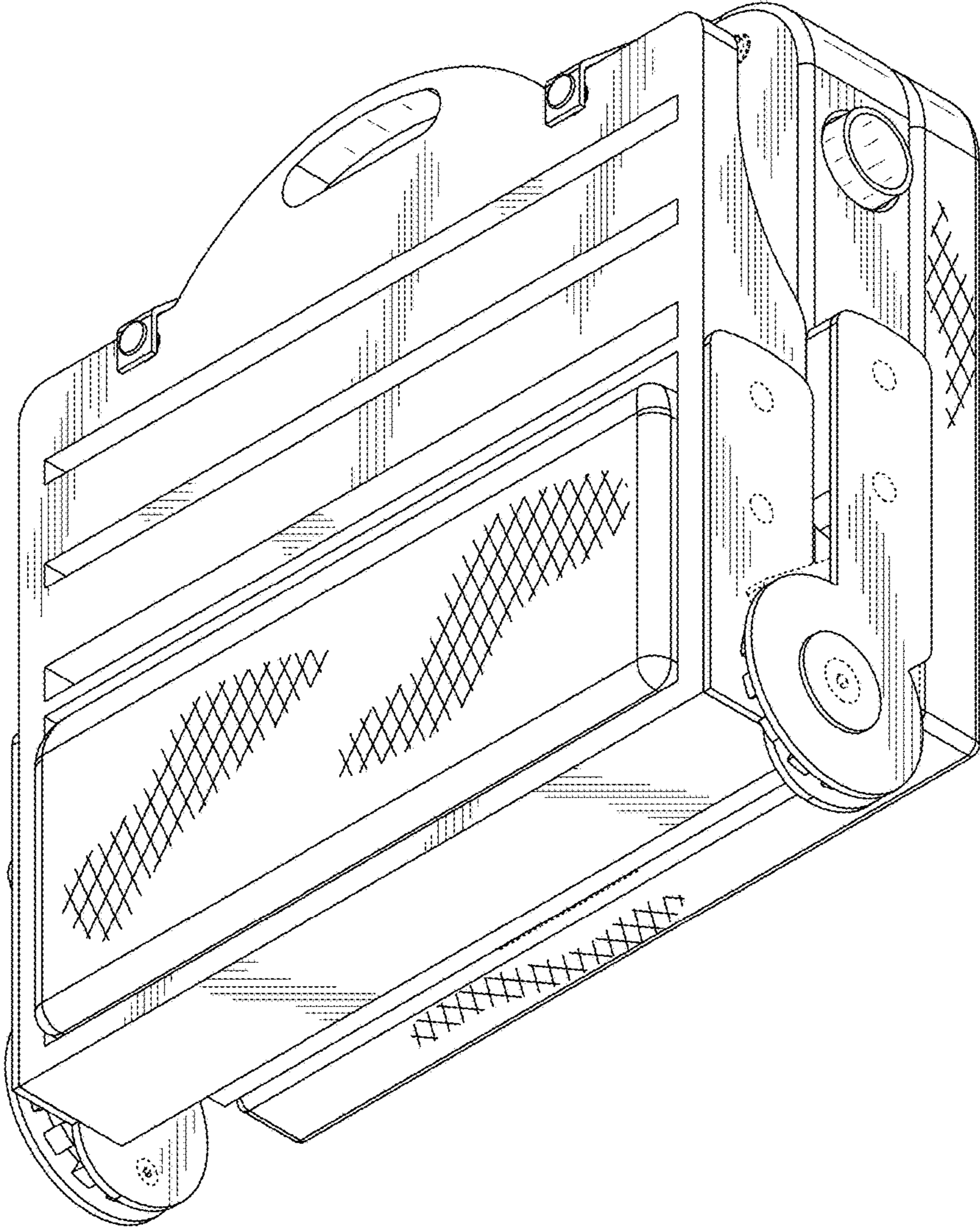


FIG. 8



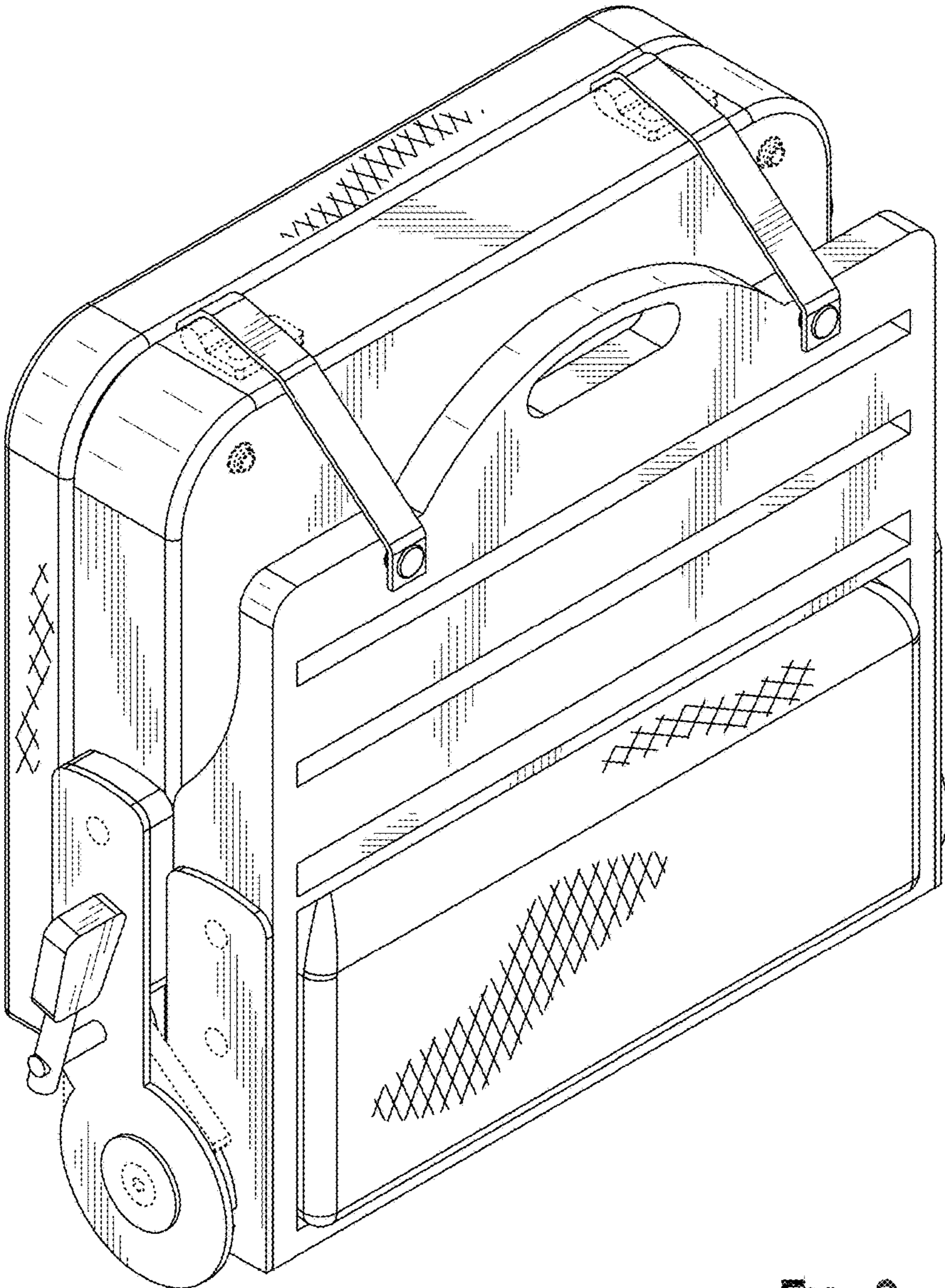


FIG. 9