



US00D848165S

(12) **United States Design Patent** (10) **Patent No.:** **US D848,165 S**
Salto et al. (45) **Date of Patent:** **** May 14, 2019**

(54) **CHAIR**
(71) Applicant: **Varier Furniture AS**, Oslo (NO)
(72) Inventors: **Kasper Salto**, Copenhagen (DK);
Thomas Sigsgaard, Copenhagen (DK)
(73) Assignee: **VARIER FURNITURE AS**, Oslo (NO)
(**) Term: **15 Years**
(21) Appl. No.: **35/502,933**
(22) Filed: **Nov. 8, 2016**
(80) **Hague Agreement Data**

Int. Filing Date: **Nov. 8, 2016**
Int. Reg. No.: **DM/093417**
Int. Reg. Date: **Nov. 8, 2016**
Int. Reg. Pub. Date: **May 12, 2017**

(51) **LOC (11) Cl.** **06-01**
(52) **U.S. Cl.**
USPC **D6/354**

(58) **Field of Classification Search**
USPC D6/334, 349, 352, 354, 355, 364, 374,
D6/376, 377
CPC A47C 3/00; A47C 3/20; A47C 4/02; A47C
4/08; A47C 4/18; A47C 7/00; A47C 7/02;
A47C 7/16; A47C 7/36; A47C 7/40;
A47C 7/52; A47C 9/00; A47C 9/002;
A47C 9/027
See application file for complete search history.

(56) **References Cited**
U.S. PATENT DOCUMENTS

4,130,263 A * 12/1978 Roericht A47C 9/025
248/158

D261,450 S * 10/1981 Jenkins D6/354
D271,352 S * 11/1983 De Boer D6/349
D454,438 S * 3/2002 Volkman A47C 9/027
D6/349
D509,076 S * 9/2005 Beck D6/349
D554,918 S * 11/2007 Gale D6/716.1
8,136,876 B2 * 3/2012 Bellvis Castillo A47C 9/002
297/195.11
D764,200 S * 8/2016 Elmaleh D6/349
D803,592 S * 11/2017 Lenz D6/349
D812,387 S * 3/2018 Bahneman D6/352

* cited by examiner

Primary Examiner — Mary Ann Calabrese
(74) *Attorney, Agent, or Firm* — James R. Hayne; Stites
& Harbison PLLC

(57) **CLAIM**

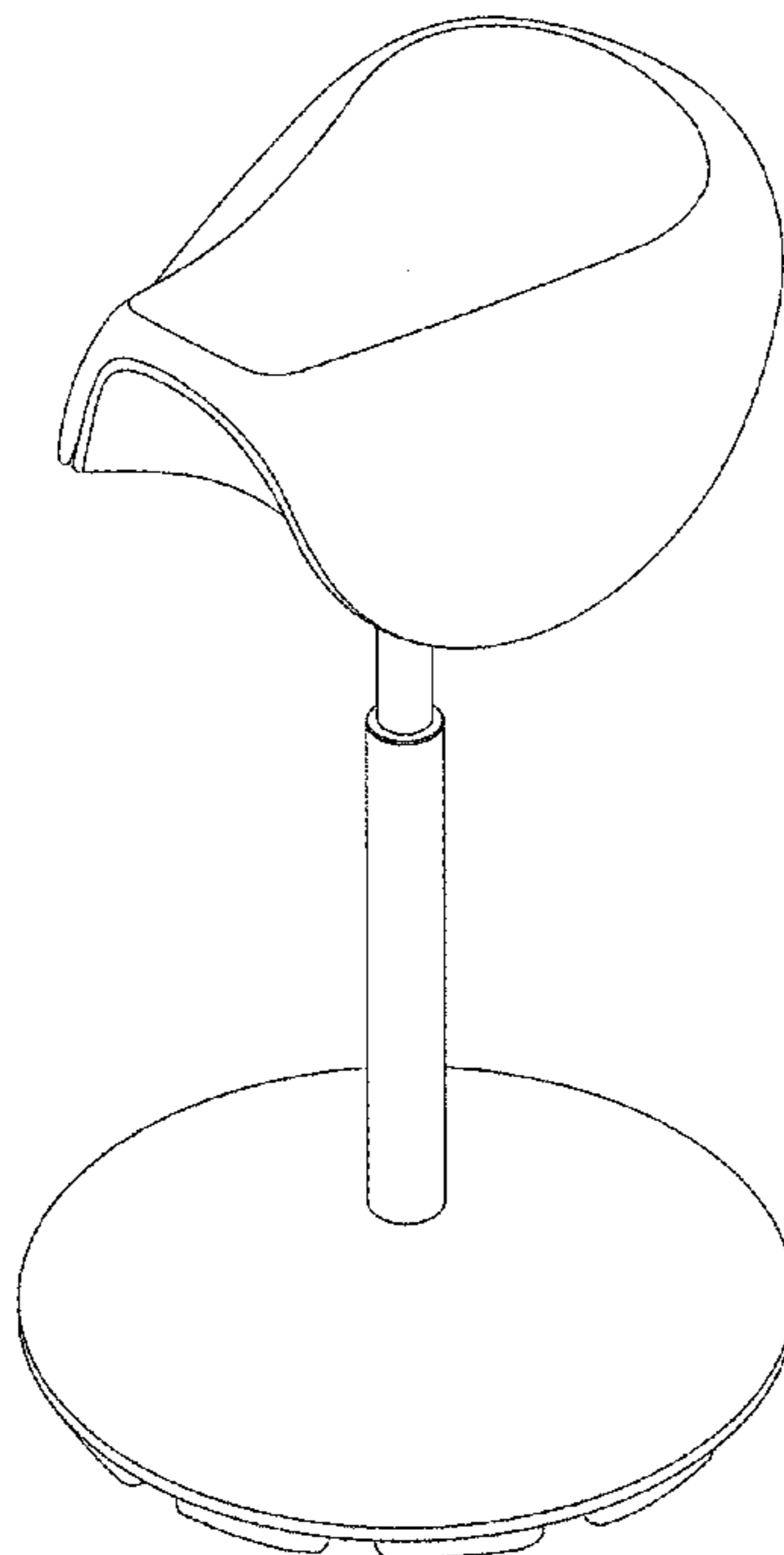
The ornamental design for a chair, as shown and described.

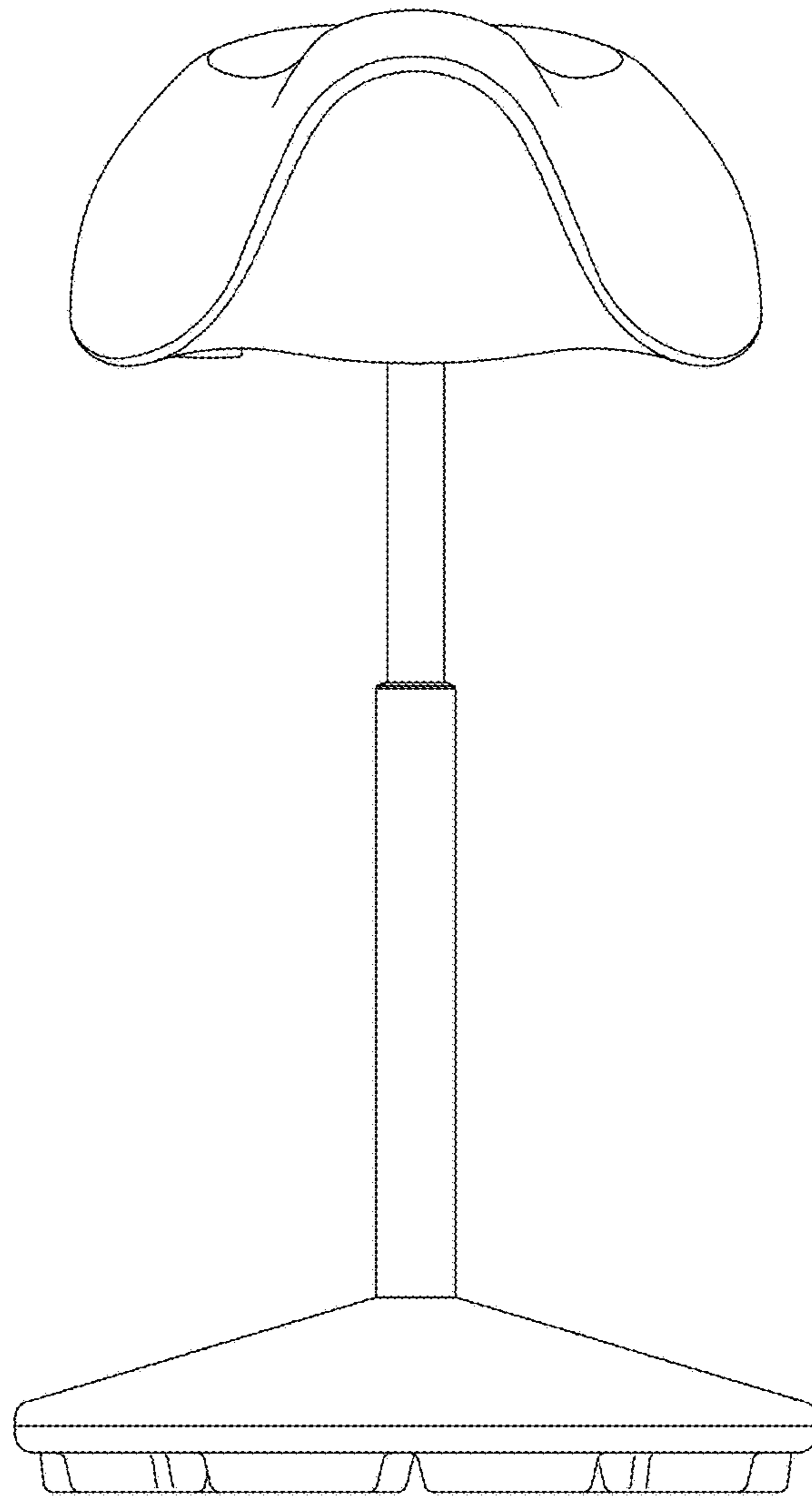
DESCRIPTION

- 1. Chair
- 1.1 : Front
- 1.2 : Back
- 1.3 : Top
- 1.4 : Bottom
- 1.5 : Left
- 1.6 : Right
- 1.7 : Perspective

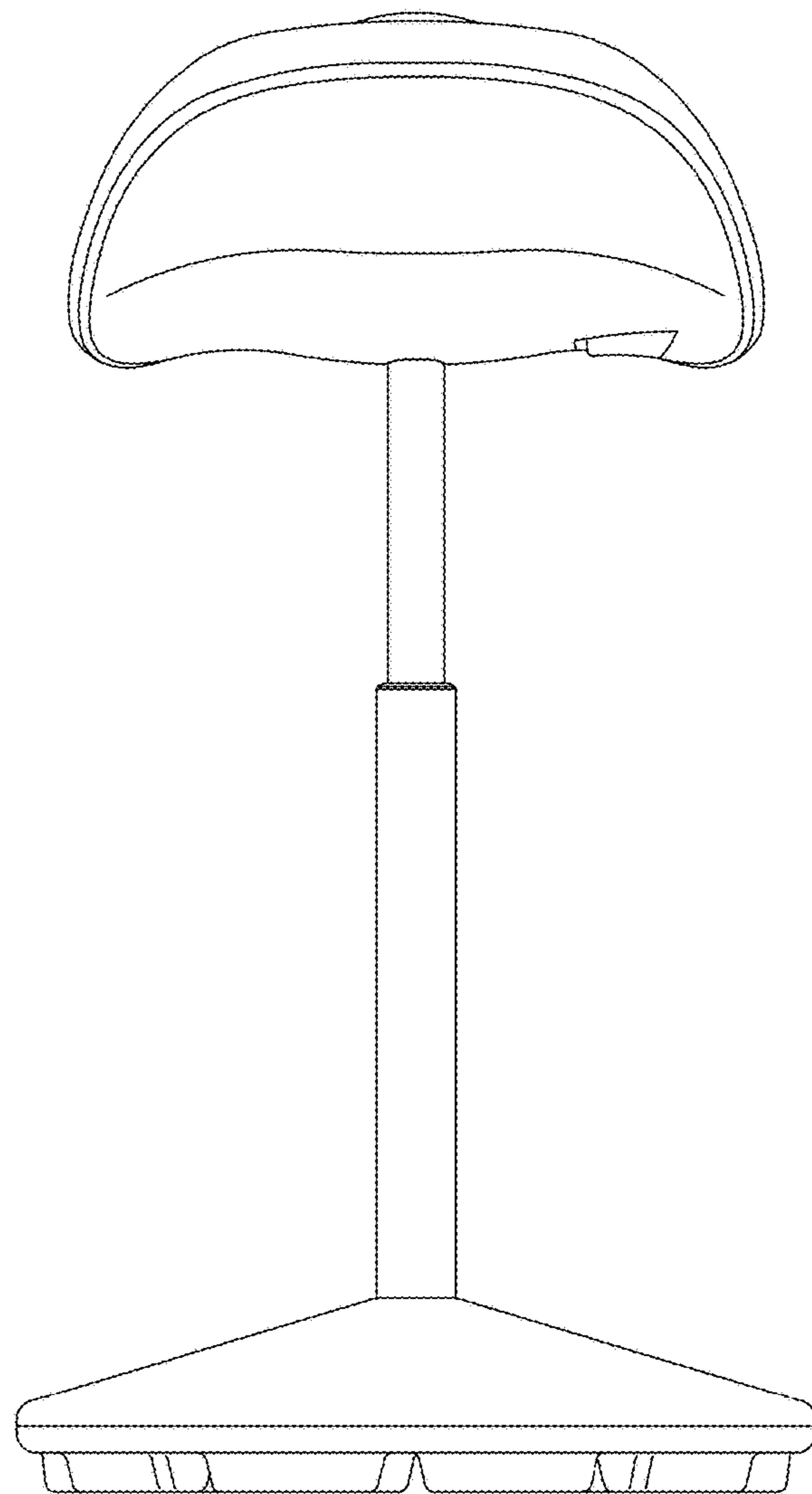
The broken lines in the figures are included for illustrating portions of the chair, and form no part of the claimed design.

1 Claim, 7 Drawing Sheets

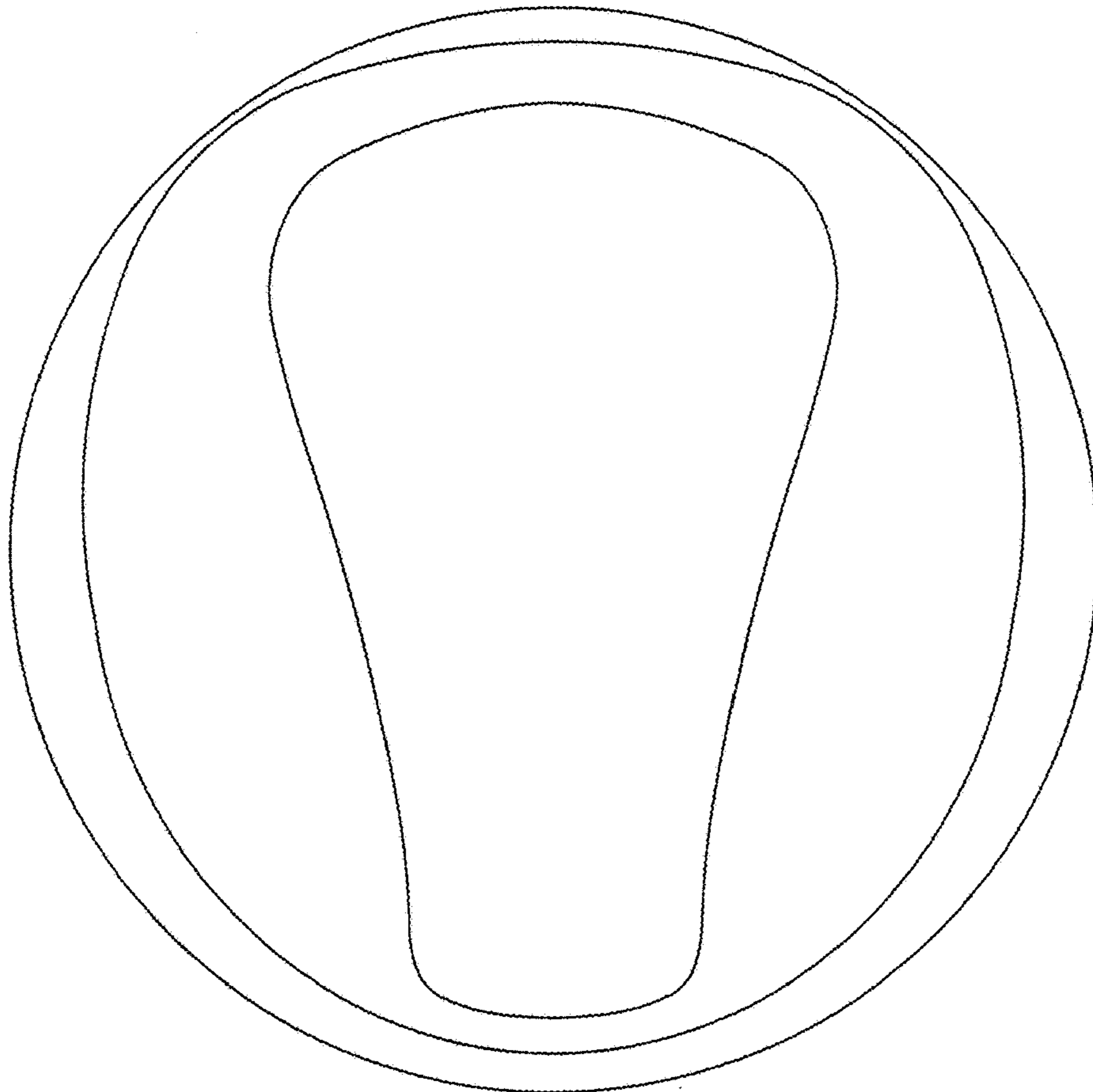




1.1

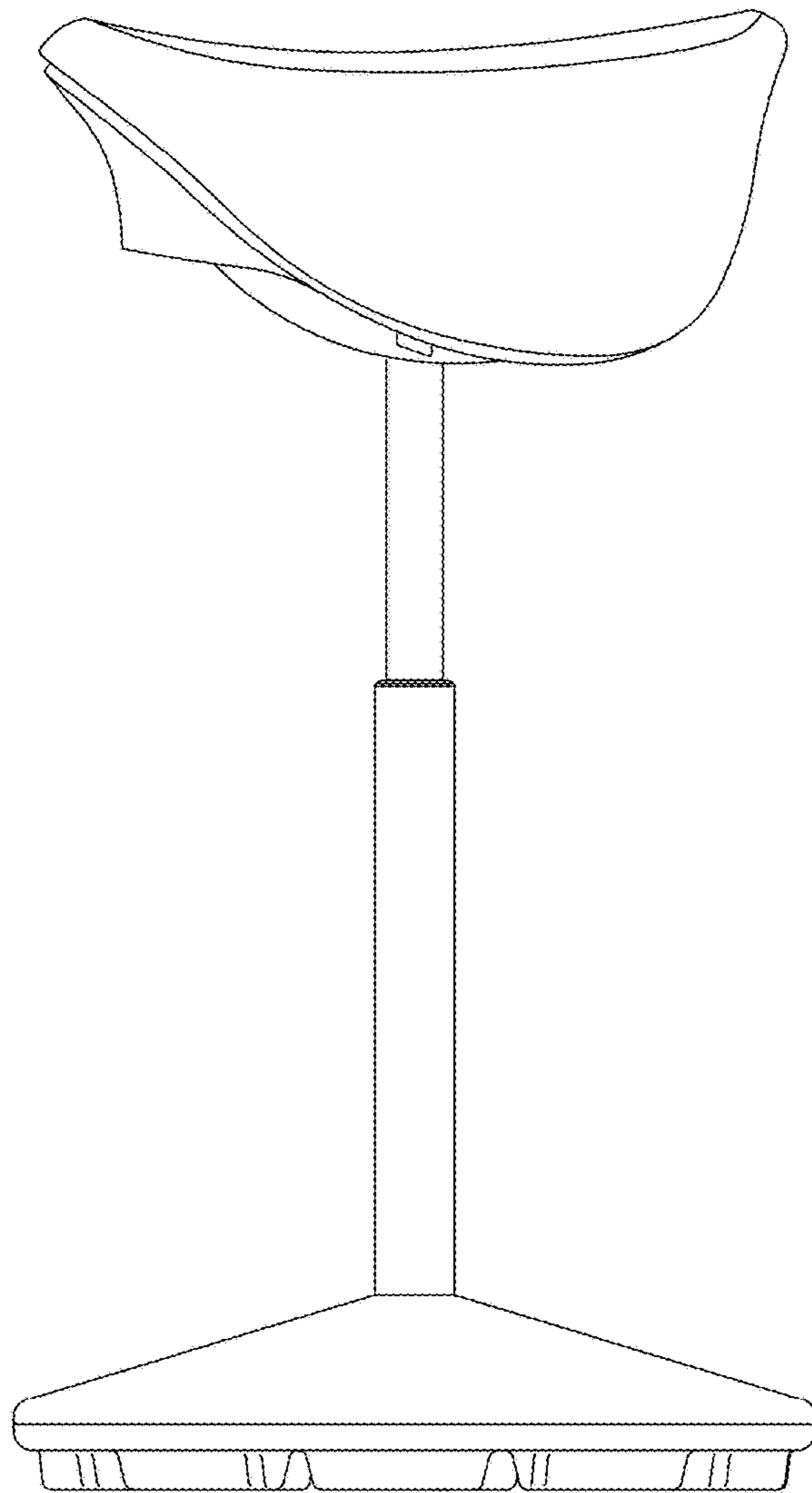


1.2

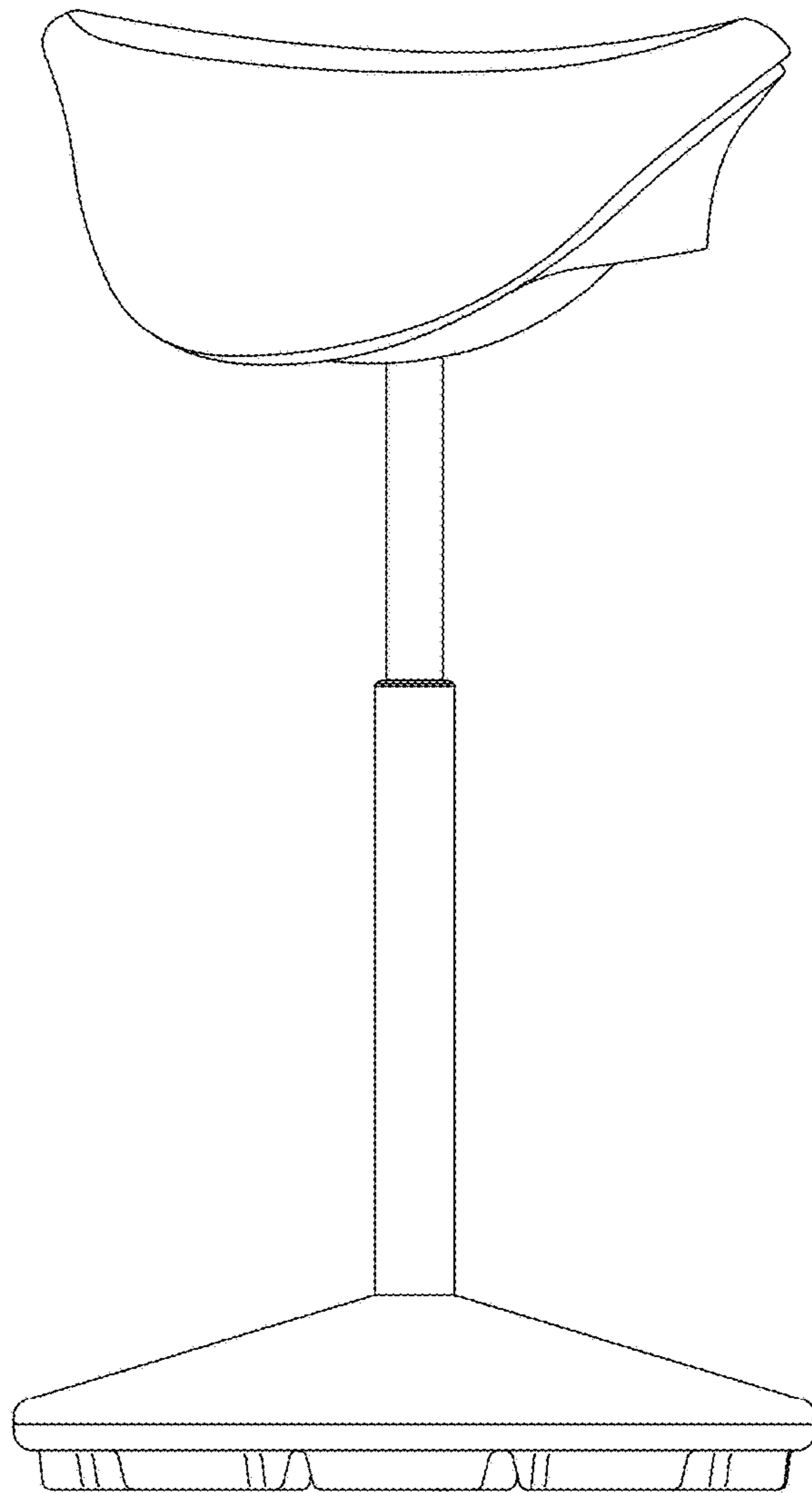


1.3

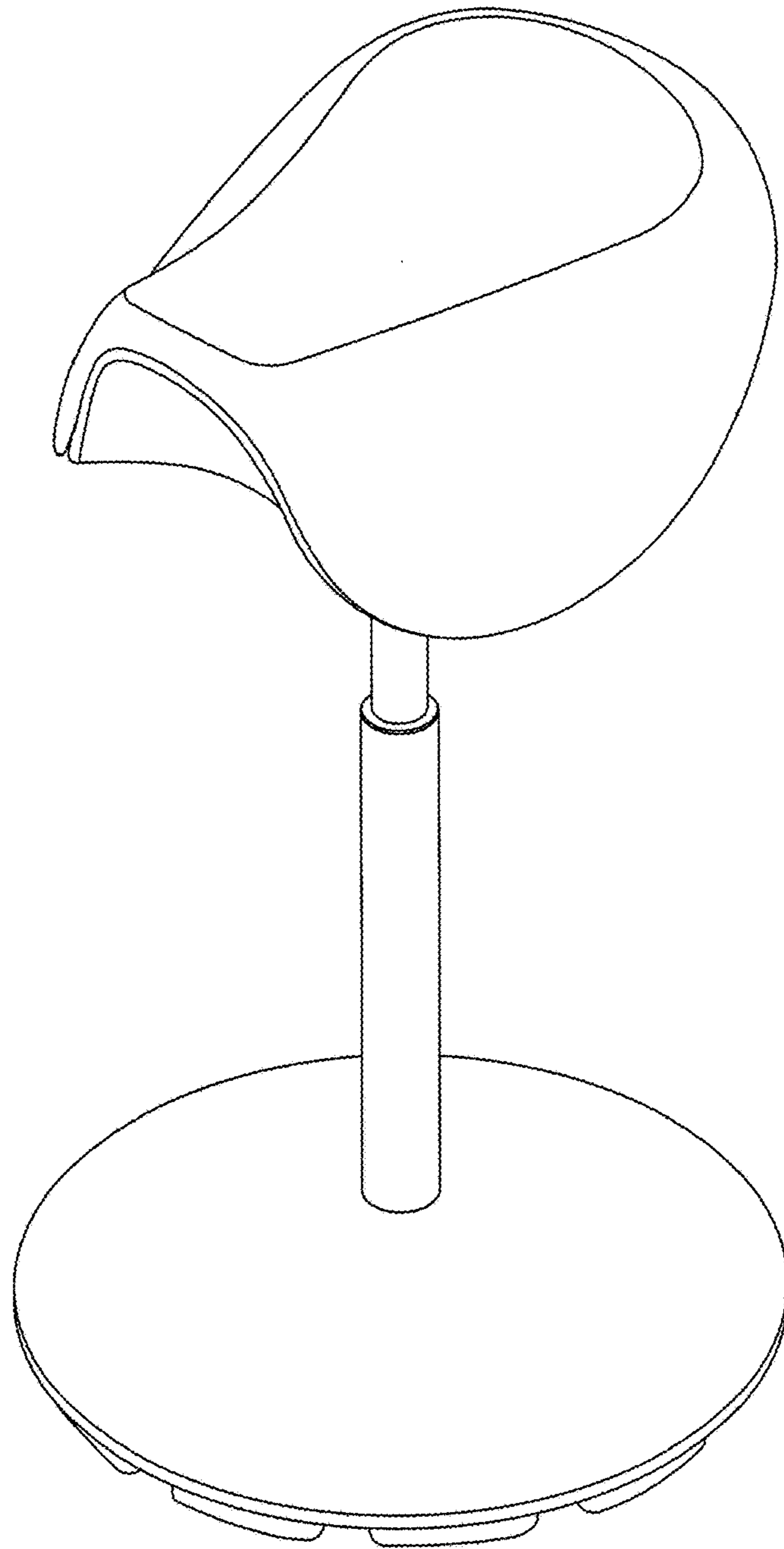




1.5



1.6



1.7