

US00D848162S

(12) **United States Design Patent**
Yin

(10) **Patent No.:** **US D848,162 S**

(45) **Date of Patent:** **** May 14, 2019**

(54) **RECLINER WITH FOOTREST**

(71) Applicant: **Peter J. Yin**, Walnut, CA (US)

(72) Inventor: **Peter J. Yin**, Walnut, CA (US)

(**) Term: **15 Years**

(21) Appl. No.: **29/632,895**

(22) Filed: **Jan. 10, 2018**

(51) **LOC (11) Cl.** **06-01**

(52) **U.S. Cl.**
USPC **D6/335**; D6/349; D6/365; D6/367

(58) **Field of Classification Search**
USPC D6/334, 335, 349, 360, 364, 365, 367,
D6/371, 372, 373, 375
CPC .. A47C 1/00; A47C 7/52; A47C 7/506; A47C
16/02
See application file for complete search history.

(56) **References Cited**

U.S. PATENT DOCUMENTS

D223,246 S	*	4/1972	Mann et al.	D6/365
D303,888 S	*	10/1989	Stafford	D6/716
D304,654 S	*	11/1989	Stafford	D6/716
D401,075 S	*	11/1998	Smith	D6/366
D459,599 S	*	7/2002	Zaidman	D6/365
D467,746 S	*	12/2002	Zaidman	D6/365
D467,747 S	*	12/2002	Zaidman	D6/365
D468,120 S	*	1/2003	Zaidman	D6/365
D492,499 S	*	7/2004	Relling	D6/334
D532,619 S	*	11/2006	Galardo	D6/364
D596,416 S	*	7/2009	Wold	D6/349
D601,359 S	*	10/2009	Wold	D6/365

D657,982 S	*	4/2012	Ping	D6/365
D661,522 S	*	6/2012	Ping	D6/365
D666,031 S	*	8/2012	Wold	D6/716
D672,170 S	*	12/2012	Ping	D6/365
D682,566 S	*	5/2013	Parker	D6/349
D704,466 S	*	5/2014	Massaud	D6/364
D717,555 S	*	11/2014	Massaud	D6/364

* cited by examiner

Primary Examiner — Deanna L Pratt

(74) *Attorney, Agent, or Firm* — Che-Yang Chen; Law Offices of Scott Warmuth

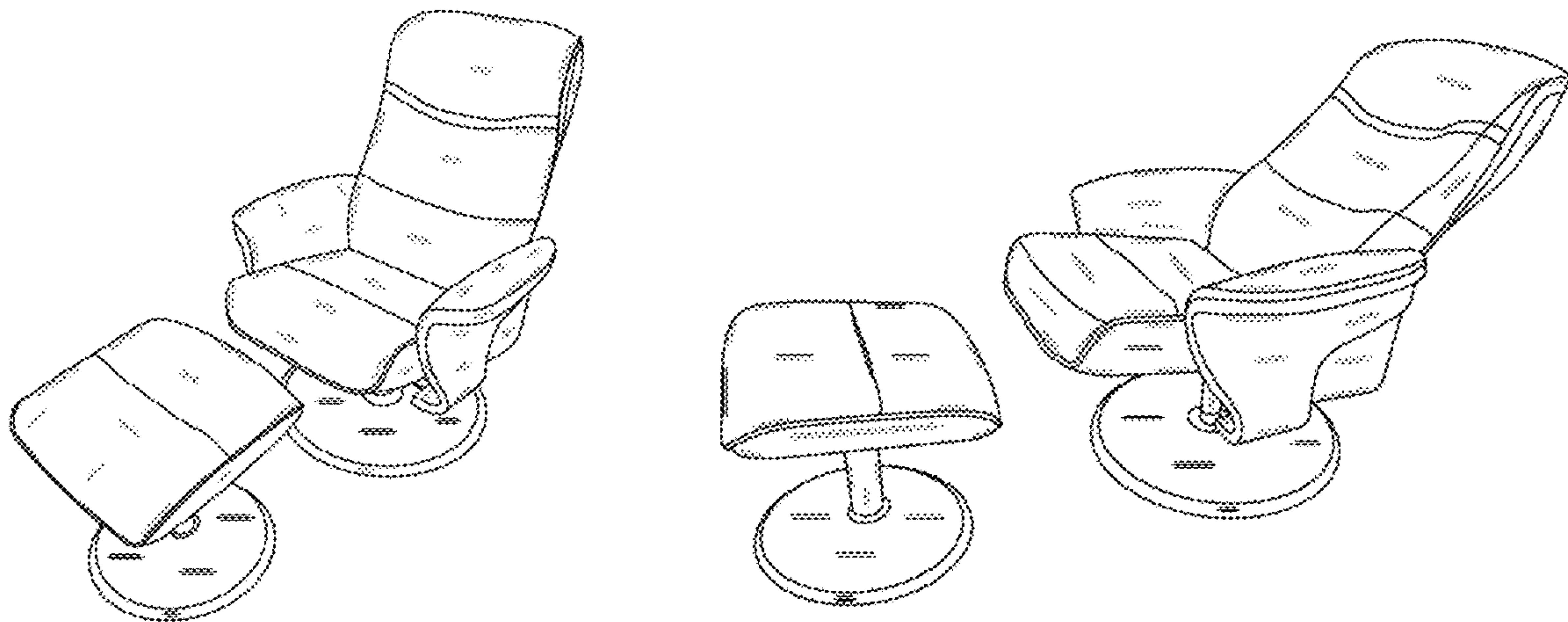
(57) **CLAIM**

The ornamental design for a recliner with footrest, as shown and described.

DESCRIPTION

FIG. 1 is a perspective view of a recliner with footrest showing my new design;
 FIG. 2 is a front elevational view thereof;
 FIG. 3 is a rear elevational view thereof;
 FIG. 4 is a left side elevational view thereof;
 FIG. 5 is a right side elevational view thereof;
 FIG. 6 is a top plan view thereof;
 FIG. 7 is a bottom plan view thereof;
 FIG. 8 is a perspective view of the recliner with footrest when it is extended;
 FIG. 9 is a front elevational view of FIG. 8;
 FIG. 10 is a rear elevational view of FIG. 8;
 FIG. 11 is a left side elevational view of FIG. 8;
 FIG. 12 is a right side elevational view of FIG. 8; and,
 FIG. 13 is a bottom plan view of FIG. 8.

1 Claim, 13 Drawing Sheets



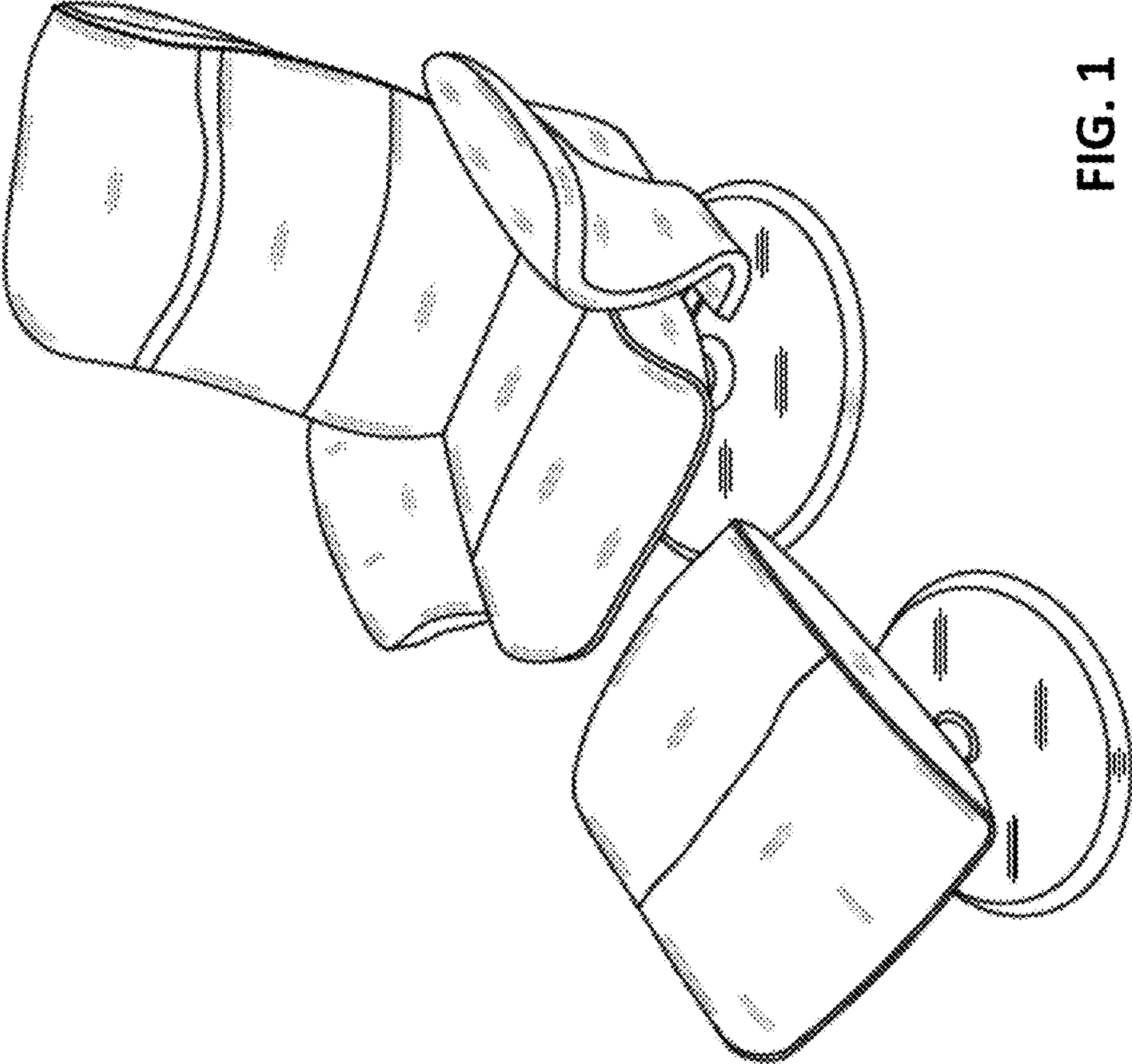


FIG. 1

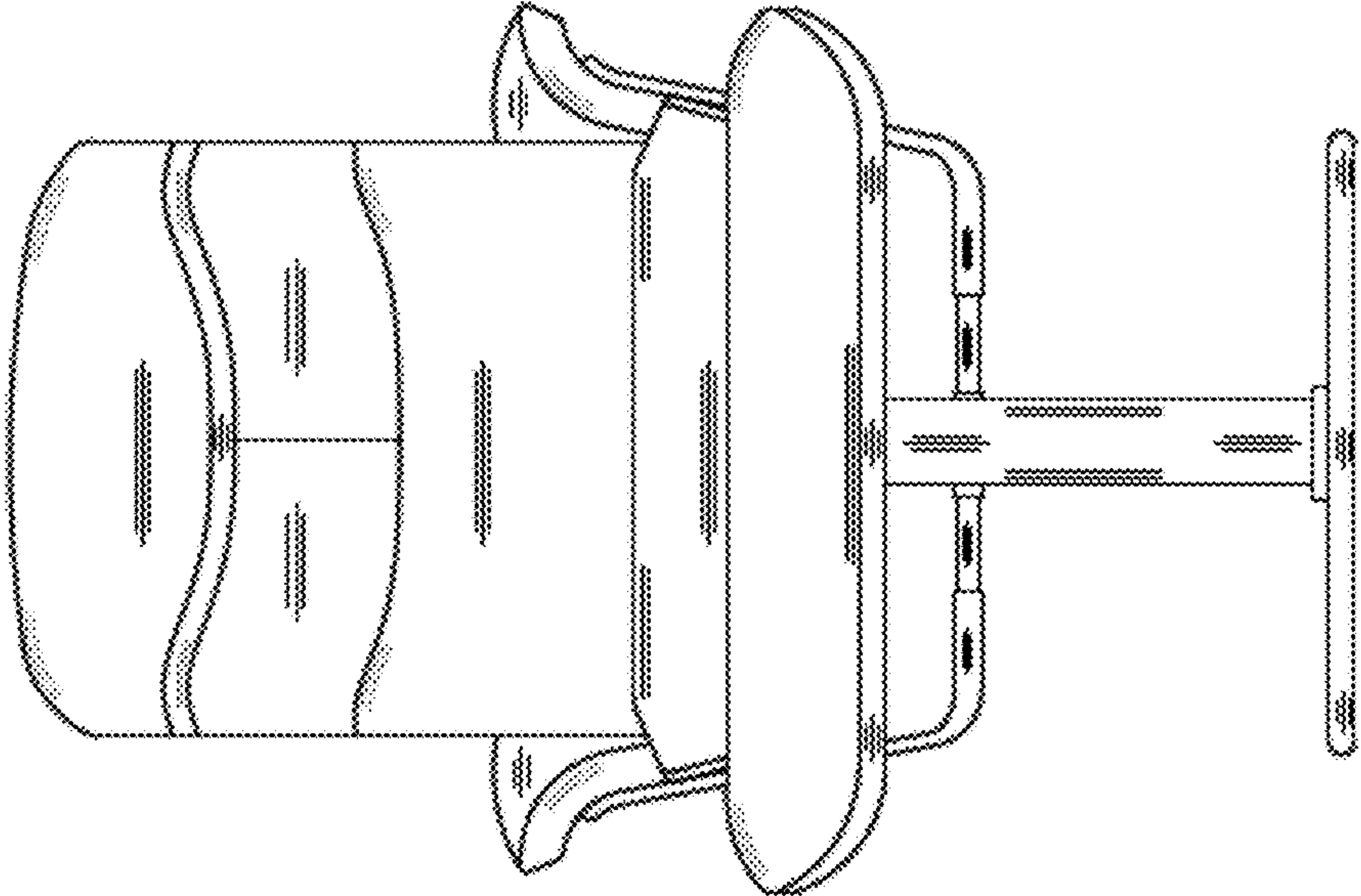


FIG. 2

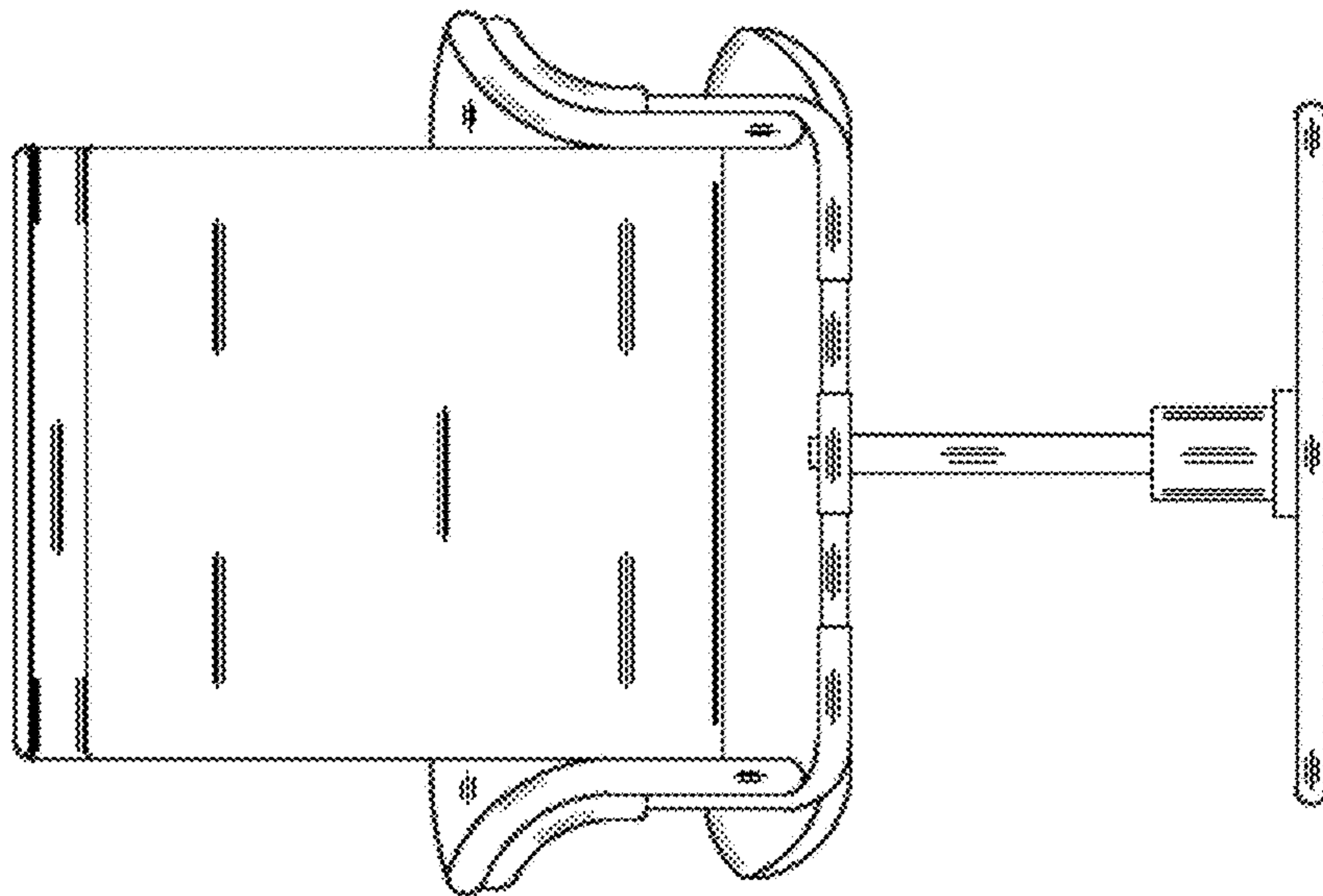


FIG. 3

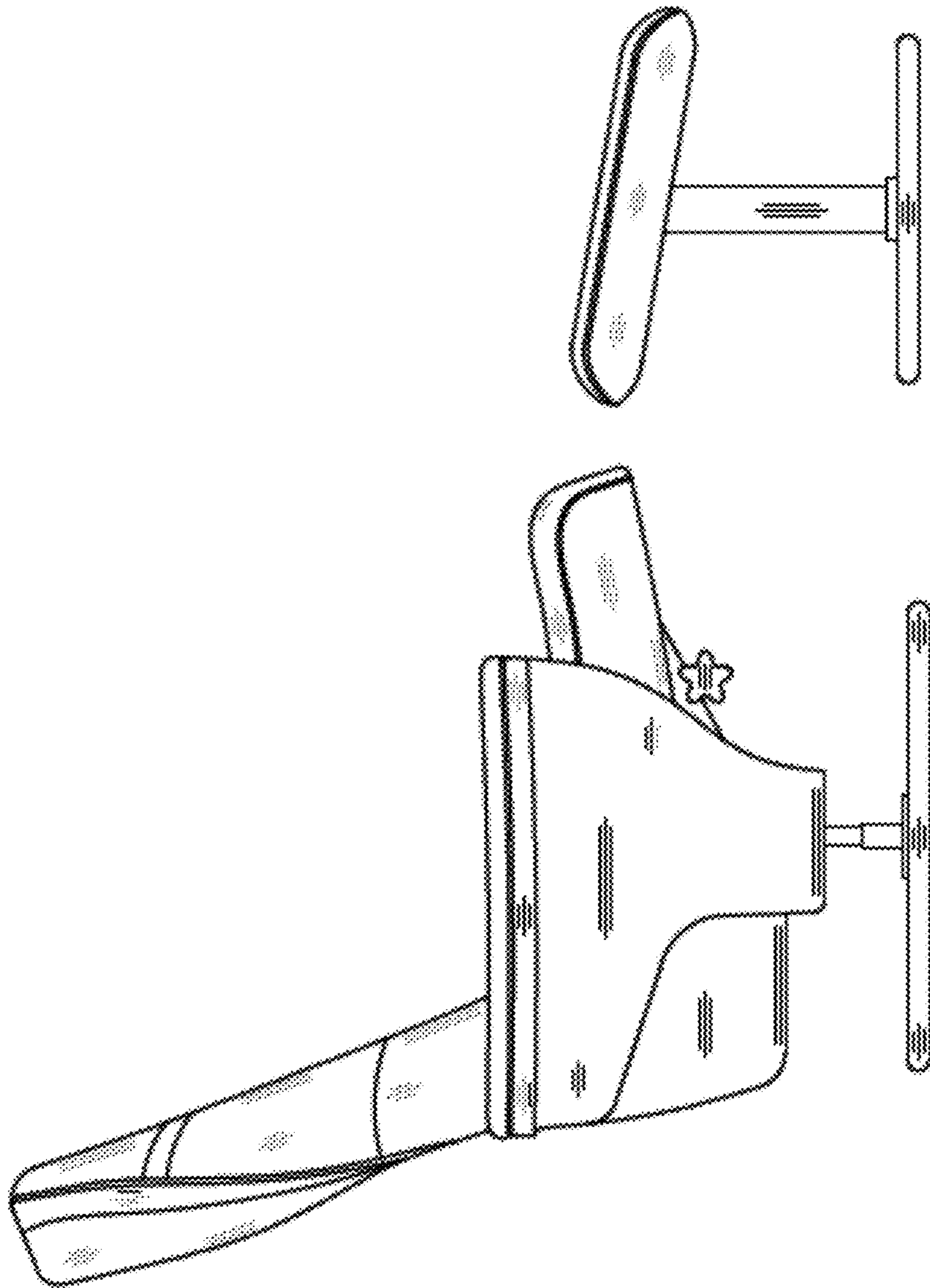


FIG. 4

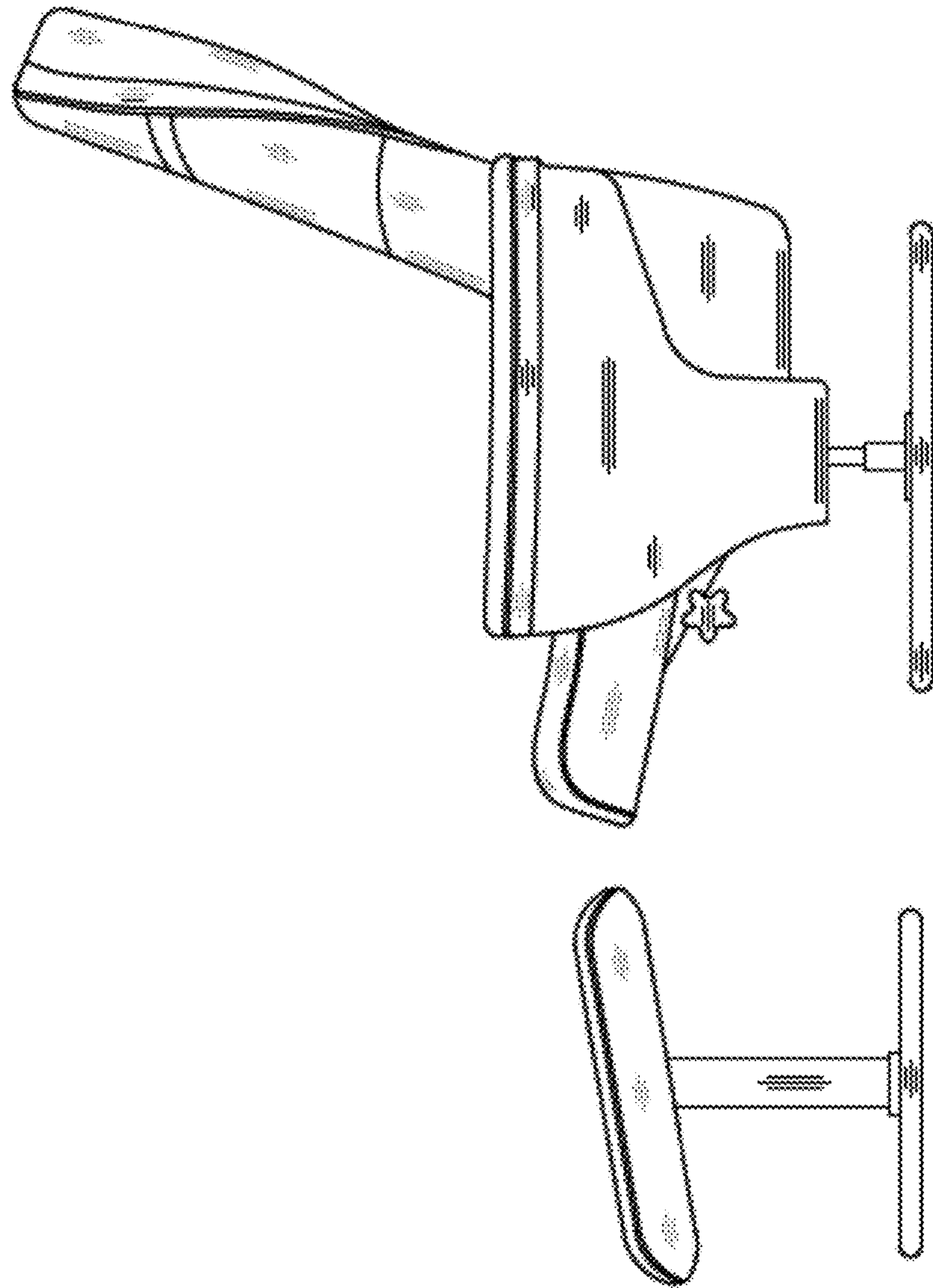


FIG. 5

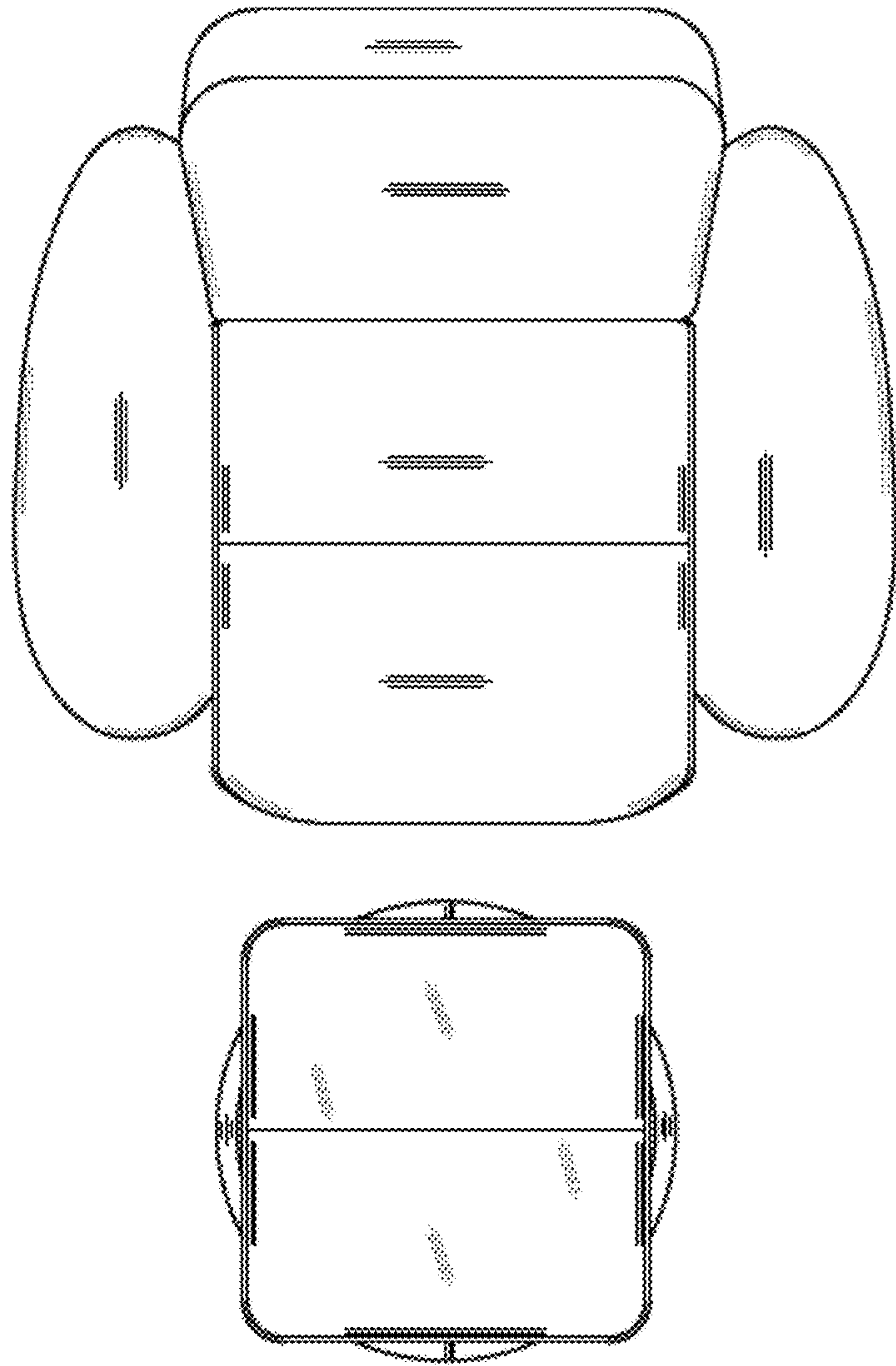


FIG. 6

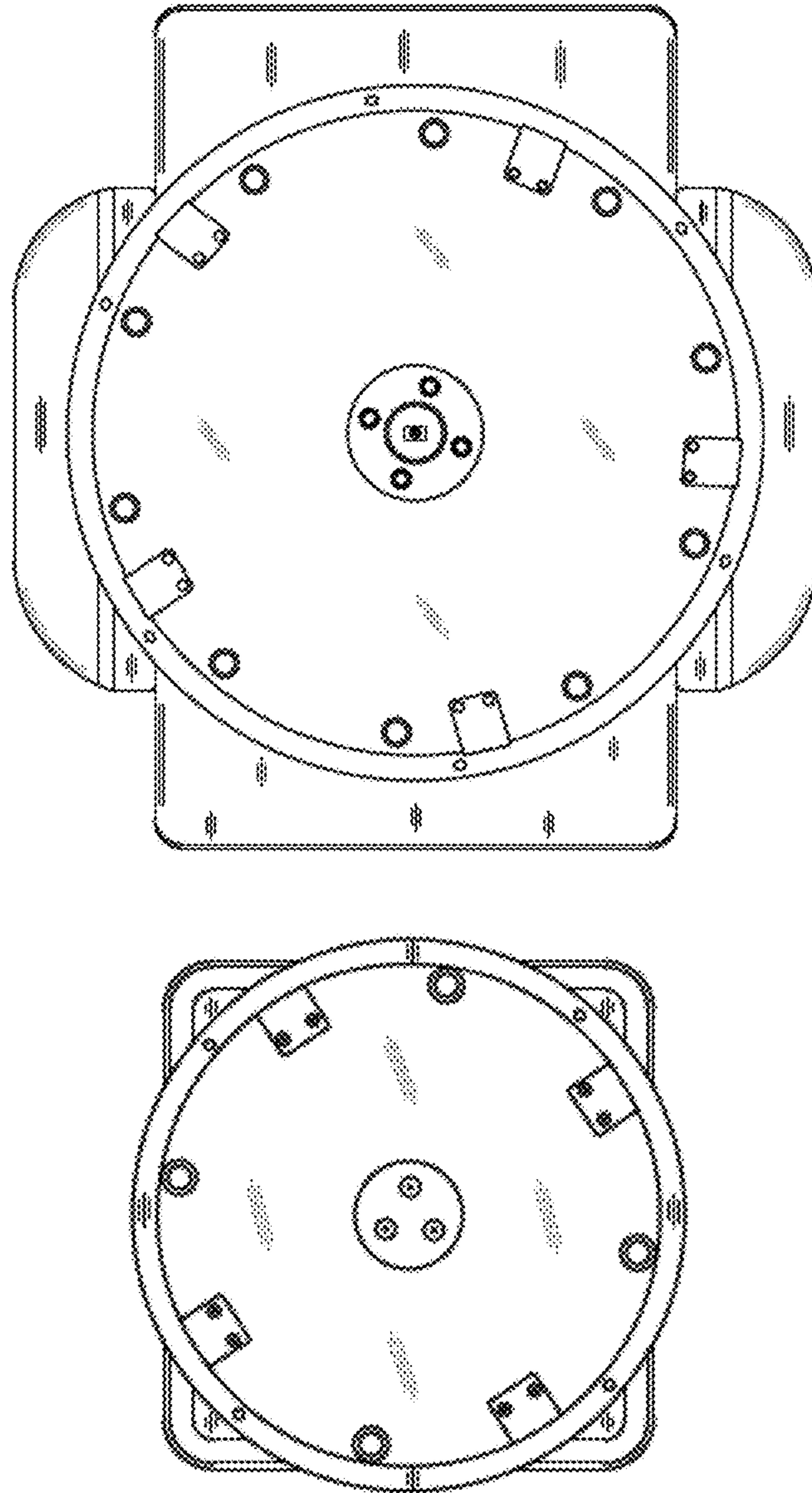


FIG. 7

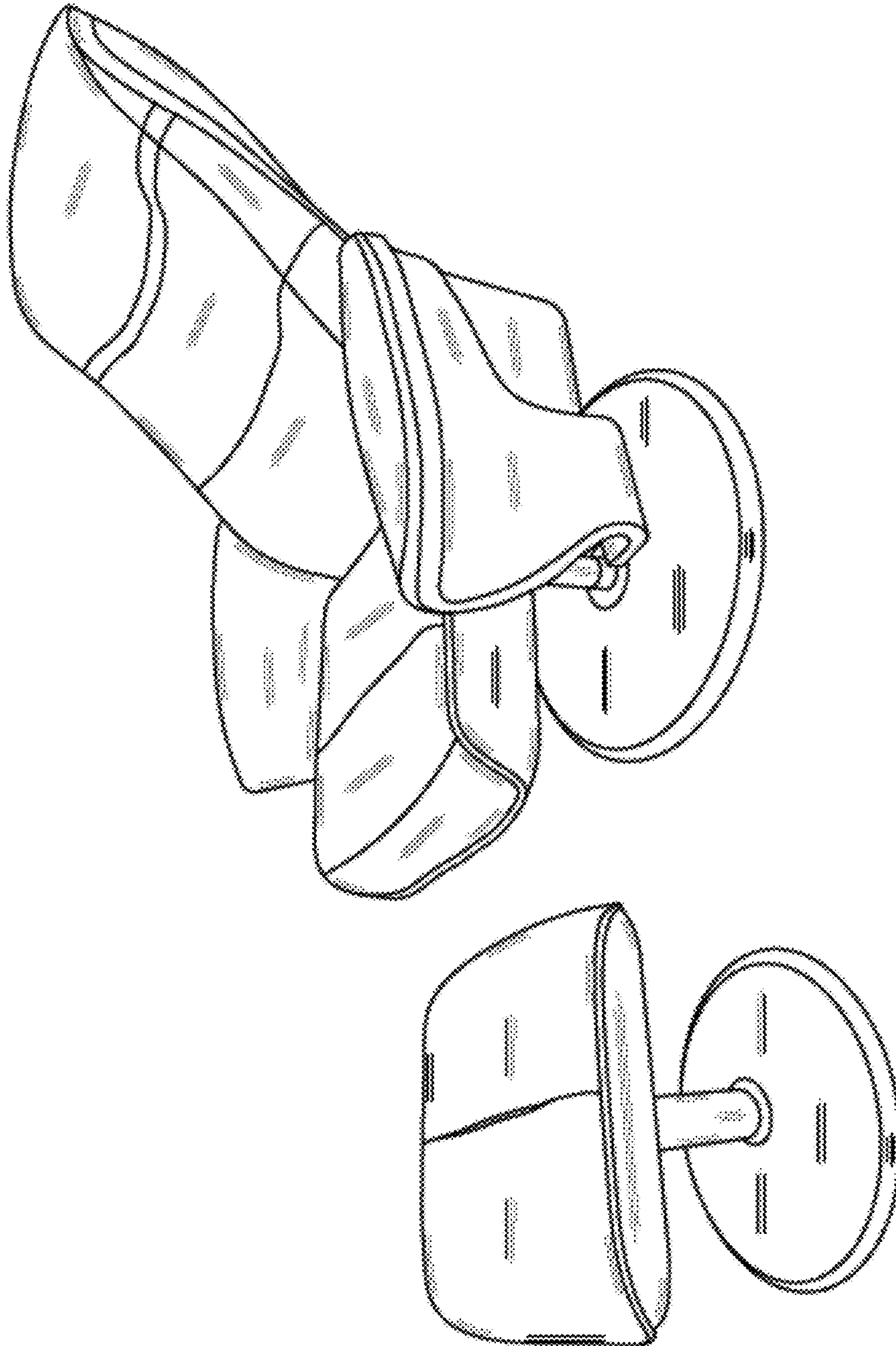


FIG. 8

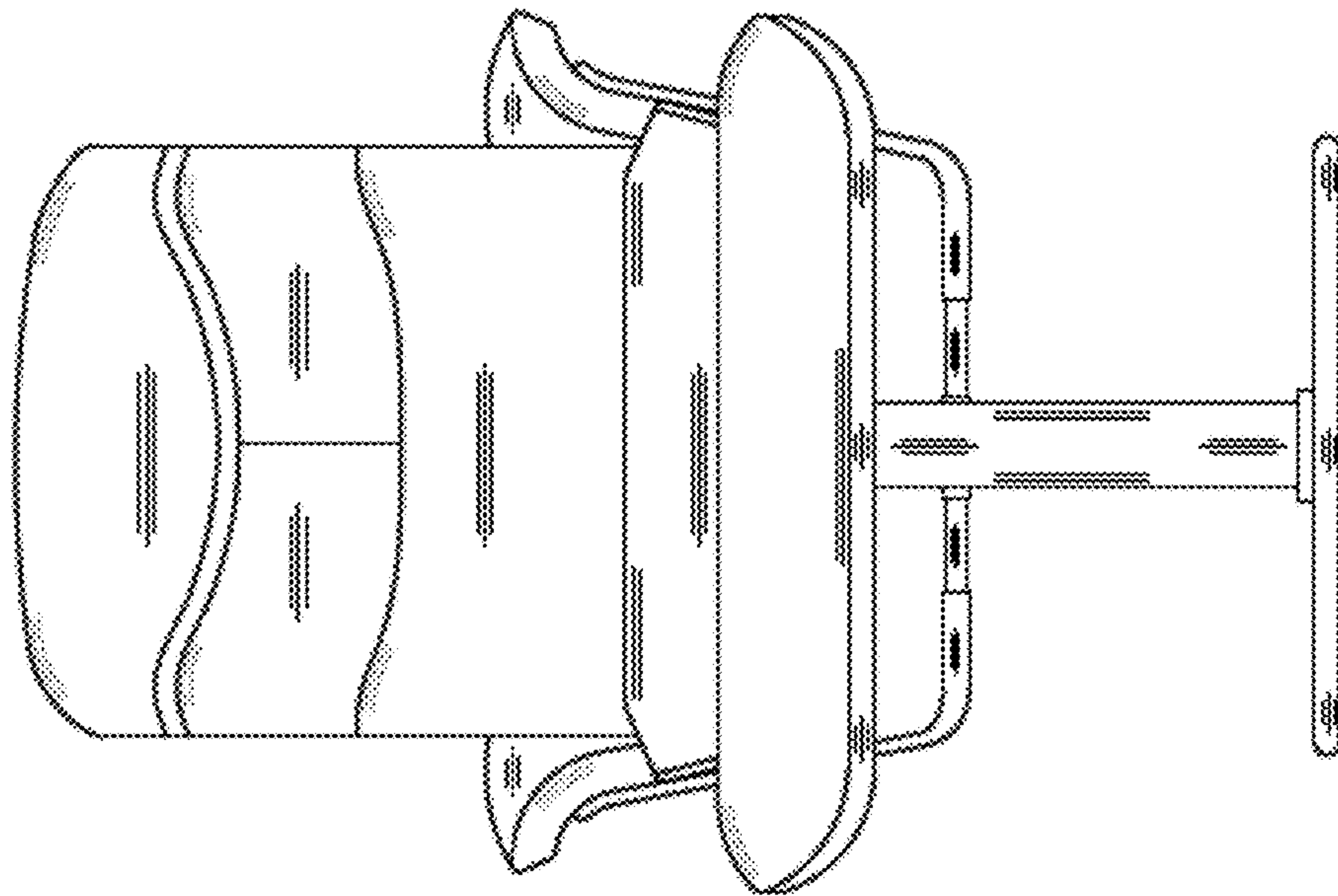


FIG. 9

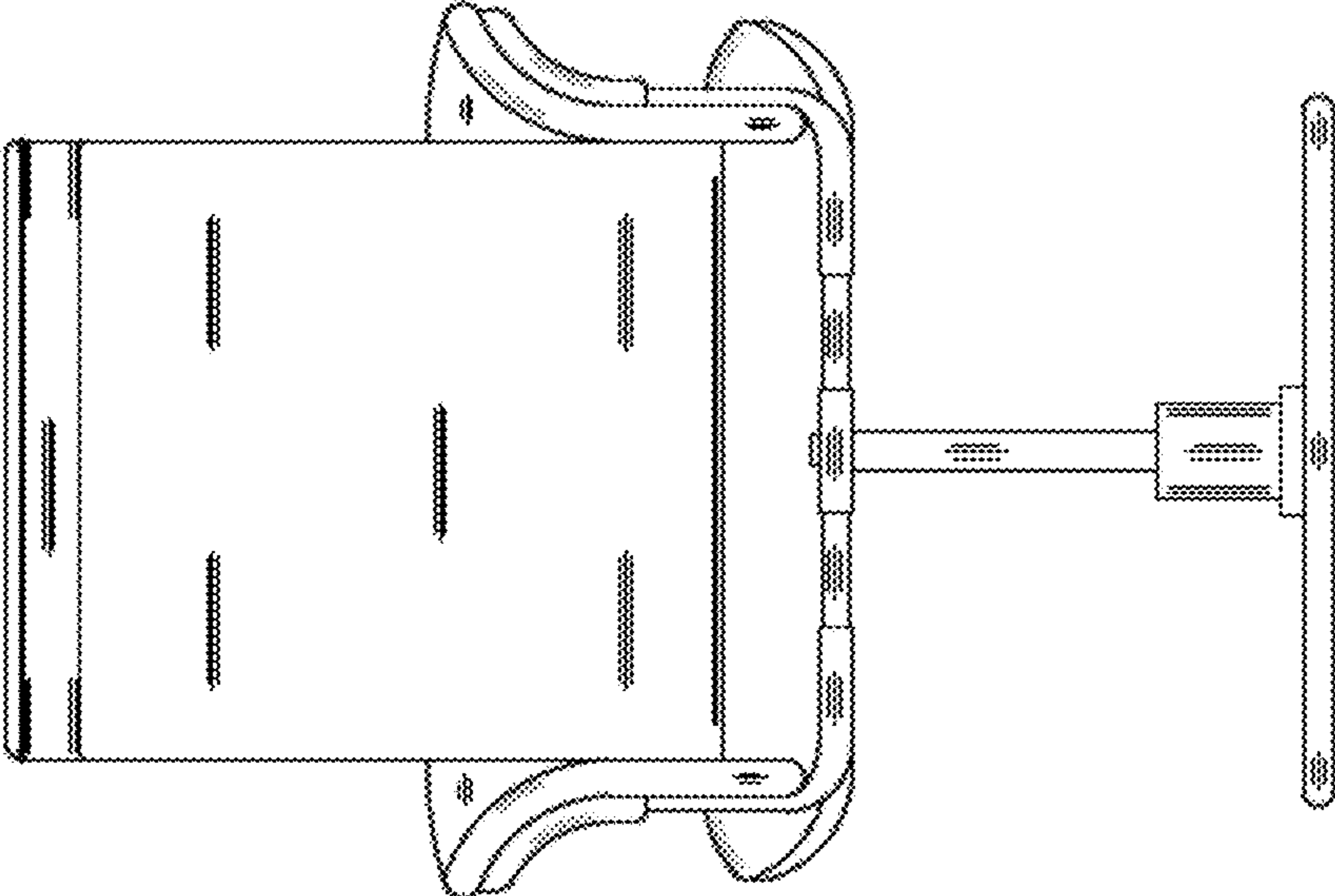


FIG. 10

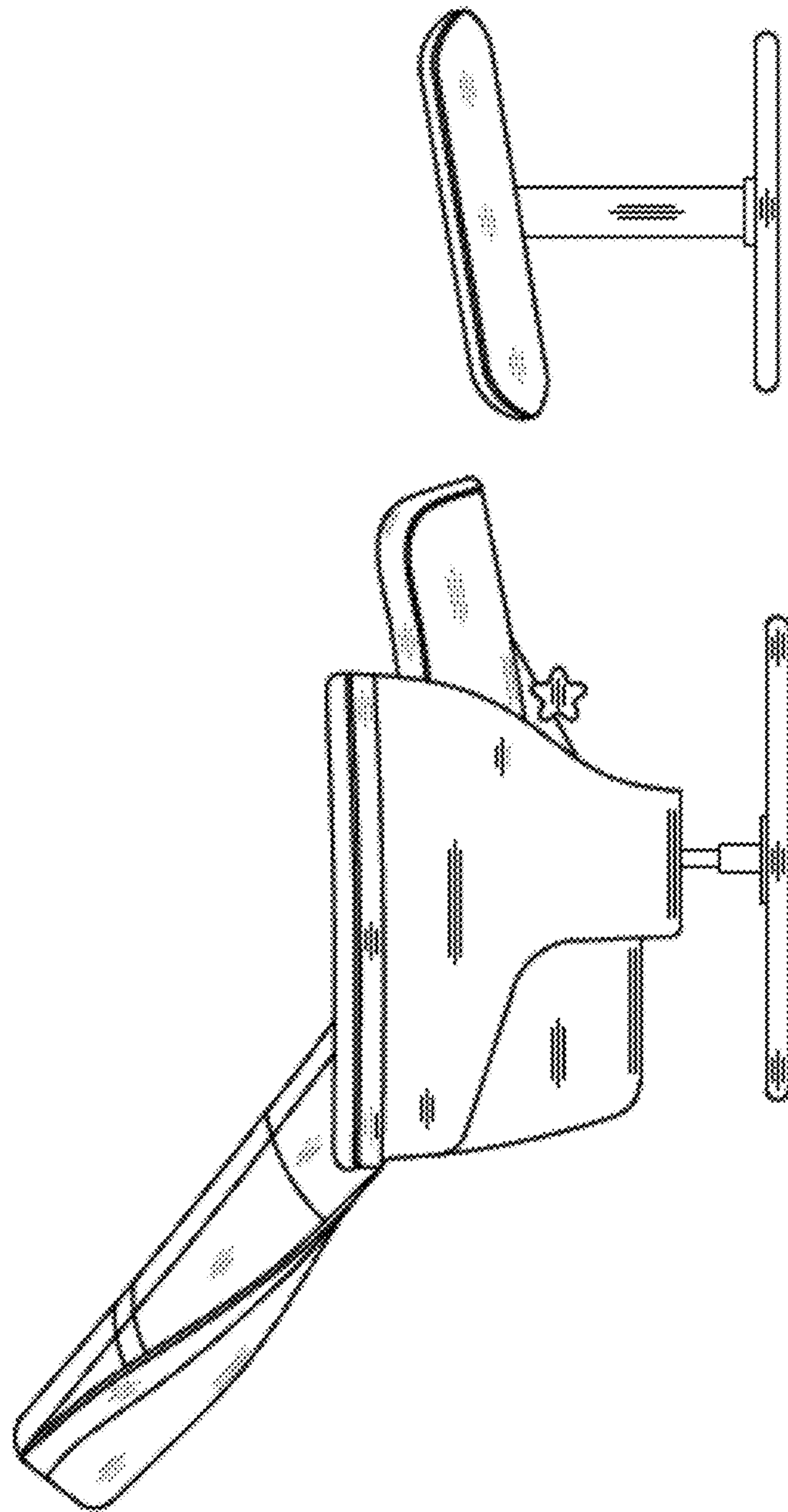


FIG. 11

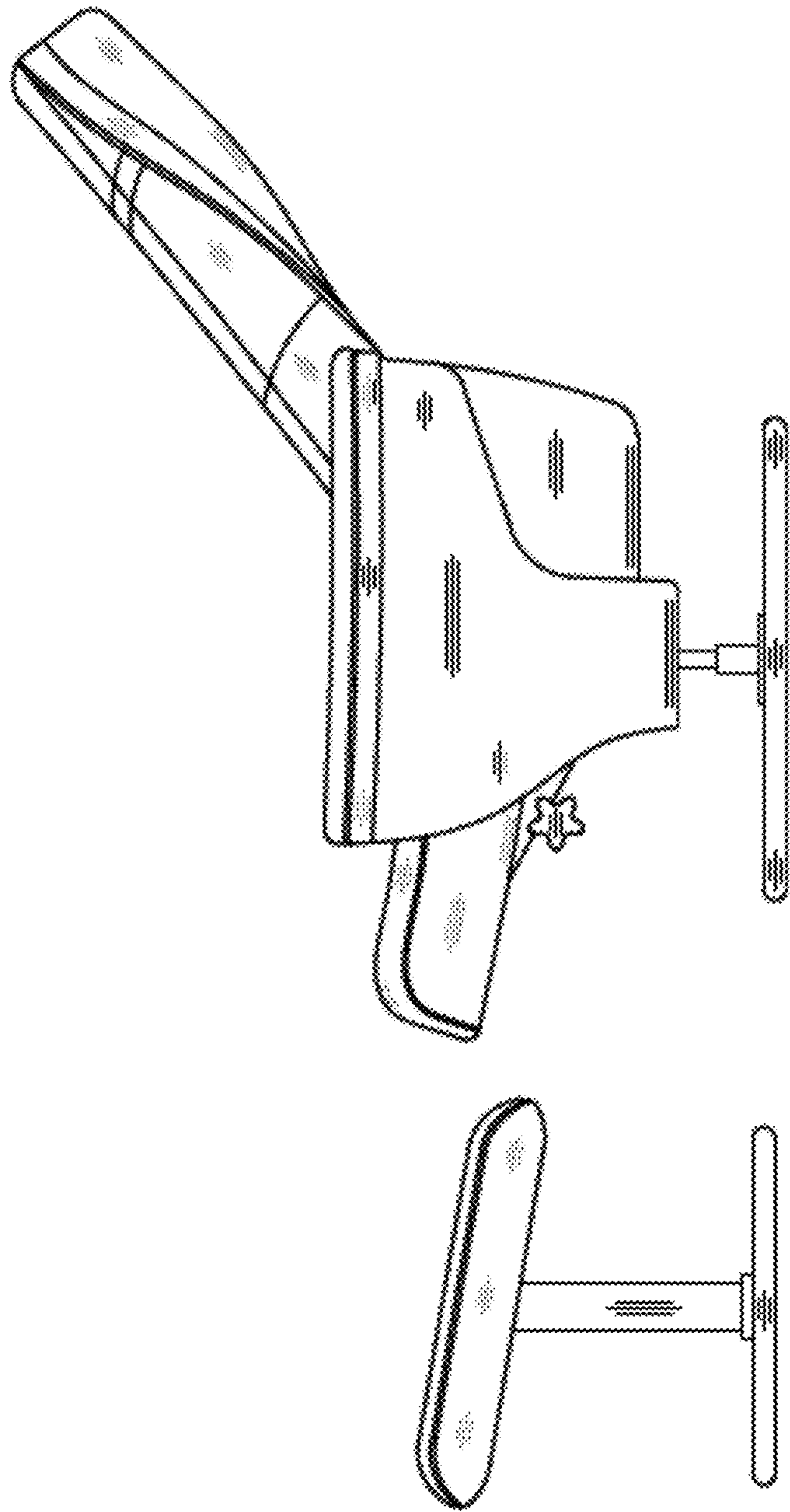


FIG. 12

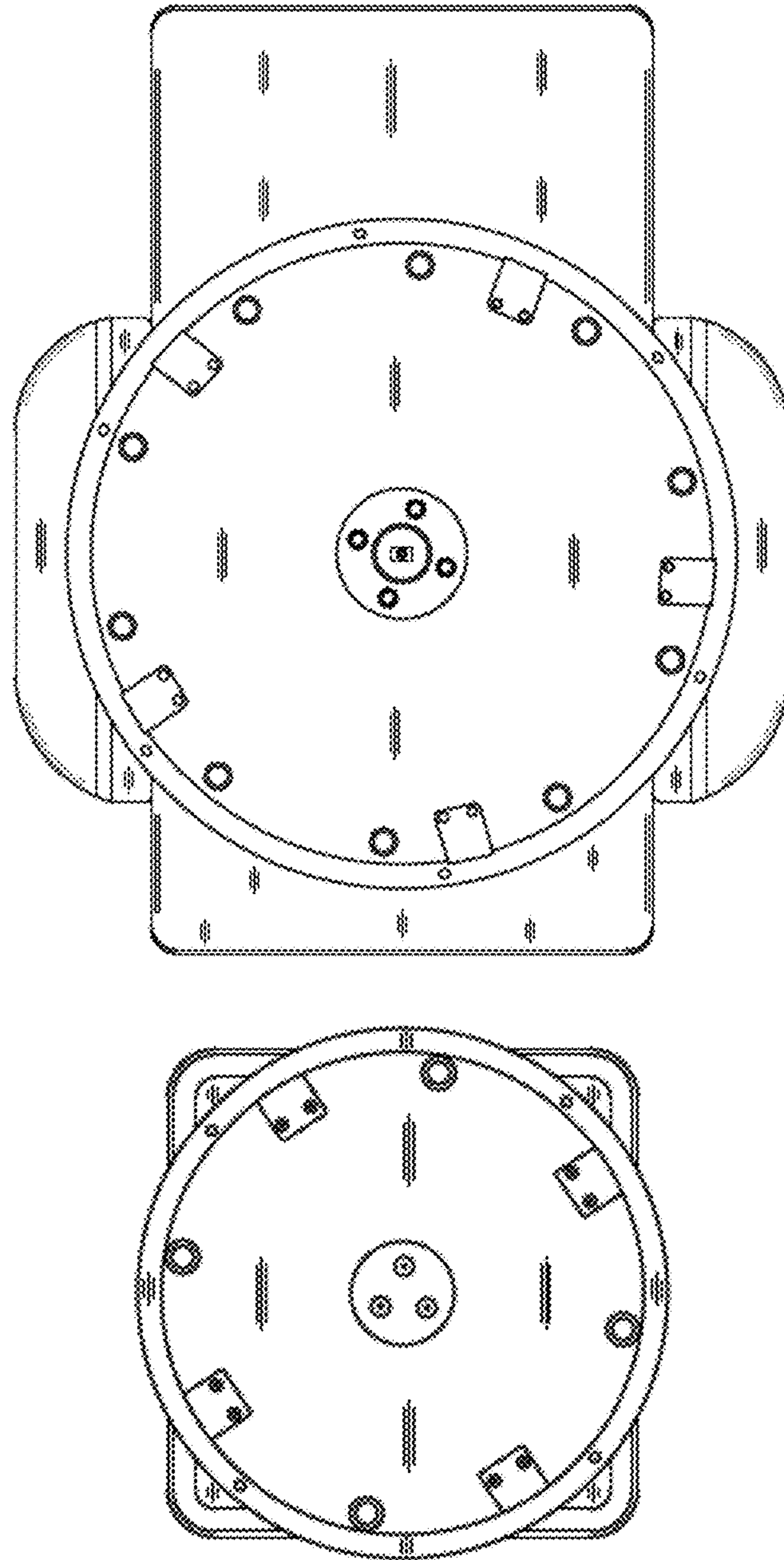


FIG. 13