



US00D848161S

(12) **United States Design Patent** (10) **Patent No.:** **US D848,161 S**
de Oliveira Pires Junior (45) **Date of Patent:** **** May 14, 2019**

(54) **LOUNGE CHAIR WITH OTTOMAN**

(71) Applicant: **Aristeu de Oliveira Pires Junior,**
Canela (BR)

(72) Inventor: **Aristeu de Oliveira Pires Junior,**
Canela (BR)

(**) Term: **15 Years**

(21) Appl. No.: **29/595,788**

(22) Filed: **Mar. 2, 2017**

(51) **LOC (11) Cl.** **06-01**

(52) **U.S. Cl.**
USPC **D6/335; D6/349; D6/373**

(58) **Field of Classification Search**
USPC D6/334, 335, 349, 360, 364, 365, 367,
D6/371, 372, 373, 375
CPC .. A47C 1/00; A47C 7/52; A47C 7/506; A47C
16/02
See application file for complete search history.

(56) **References Cited**

U.S. PATENT DOCUMENTS

D238,914 S *	2/1976	Zapf	D6/334
4,232,899 A *	11/1980	Fister, Jr.	A47C 31/023
			297/229
D260,706 S *	9/1981	Zapf	D6/373
D265,613 S *	8/1982	Zapf	D6/373
D267,451 S *	1/1983	Lopez-Benitez	D6/334
D272,779 S *	2/1984	Solie	D6/373
D273,351 S *	4/1984	Crockett	D6/349
D277,053 S *	1/1985	Golden	D6/373

D278,195 S *	4/1985	Tisbo	D6/373
D279,839 S *	7/1985	Mulhauser	D6/365
D281,935 S *	12/1985	Lowsky	D6/373
D285,753 S *	9/1986	Zola	D6/373
D285,877 S *	9/1986	Goldman	D6/367
D332,355 S *	1/1993	Maruya	D6/368
D332,706 S *	1/1993	Douglas	D6/360
D439,430 S *	3/2001	Groulx	D6/373
D492,499 S *	7/2004	Relling	D6/334
D494,373 S *	8/2004	Hancock	D6/334
D669,695 S *	10/2012	McCurry	D6/349
D705,556 S *	5/2014	Udagawa	D6/349
D816,365 S *	5/2018	de Oliveira Pires Junior	D6/379

* cited by examiner

Primary Examiner — Deanna L Pratt
(74) *Attorney, Agent, or Firm* — Eric L. Lane; Green
Patent Law

(57) **CLAIM**

The ornamental design for a lounge chair with ottoman, as shown and described.

DESCRIPTION

FIG. 1 is a perspective view of the design;
FIG. 2 is a top view thereof;
FIG. 3 is a front view thereof;
FIG. 4 is a rear view thereof;
FIG. 5 is a left side view thereof; and,
FIG. 6 is a right side view thereof.

1 Claim, 6 Drawing Sheets





FIGURE 1

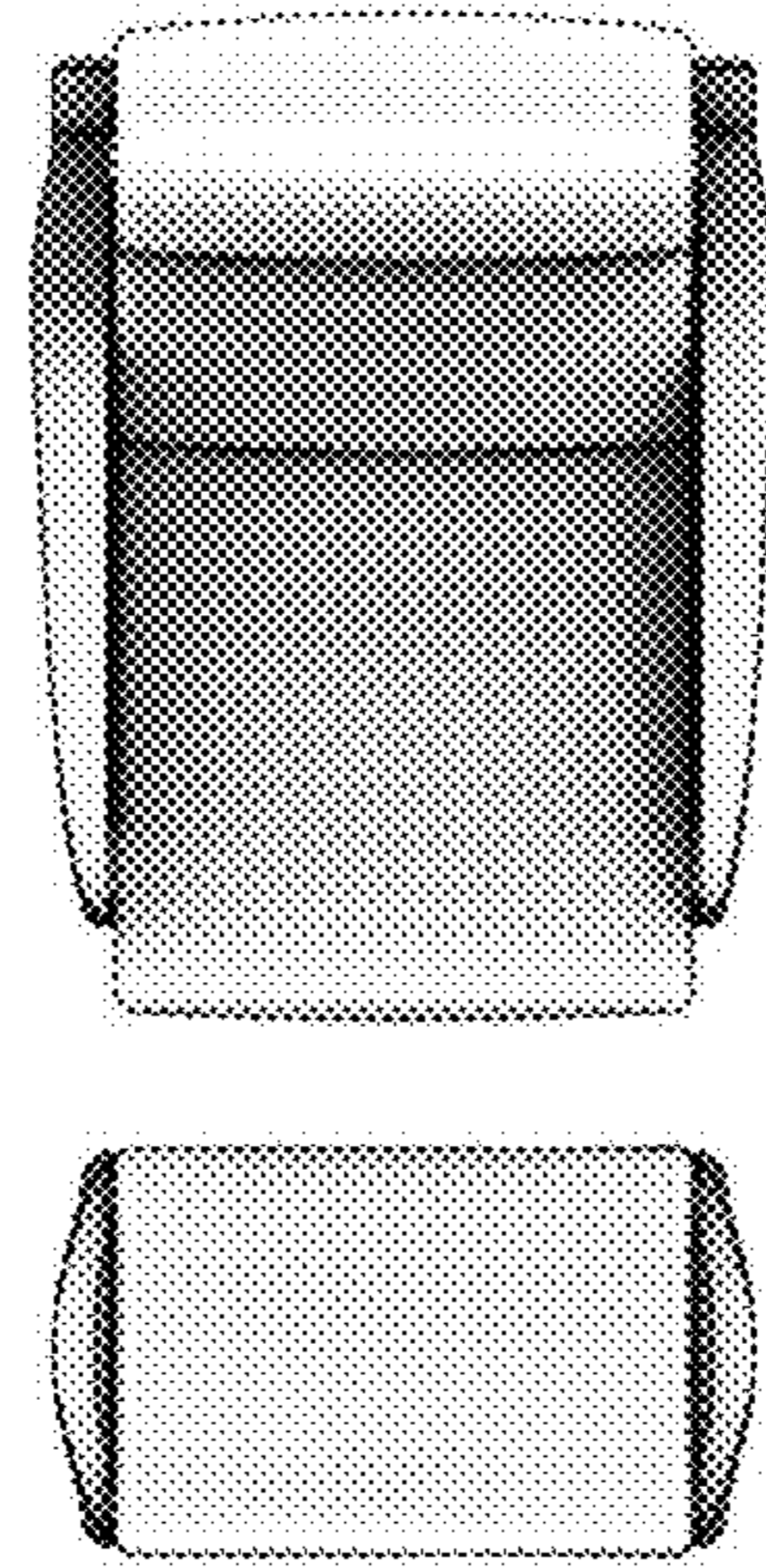


FIGURE 2

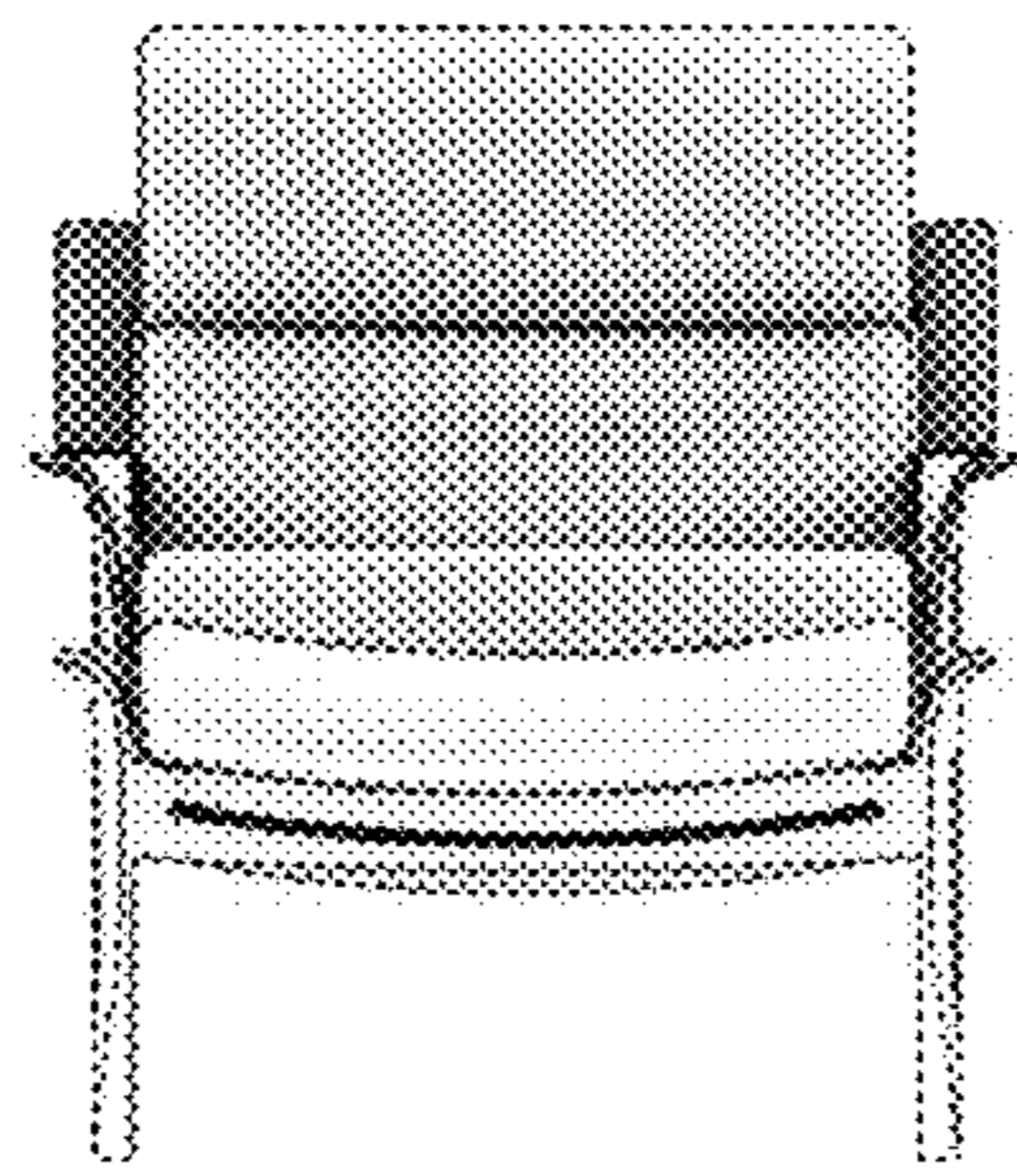


FIGURE 3

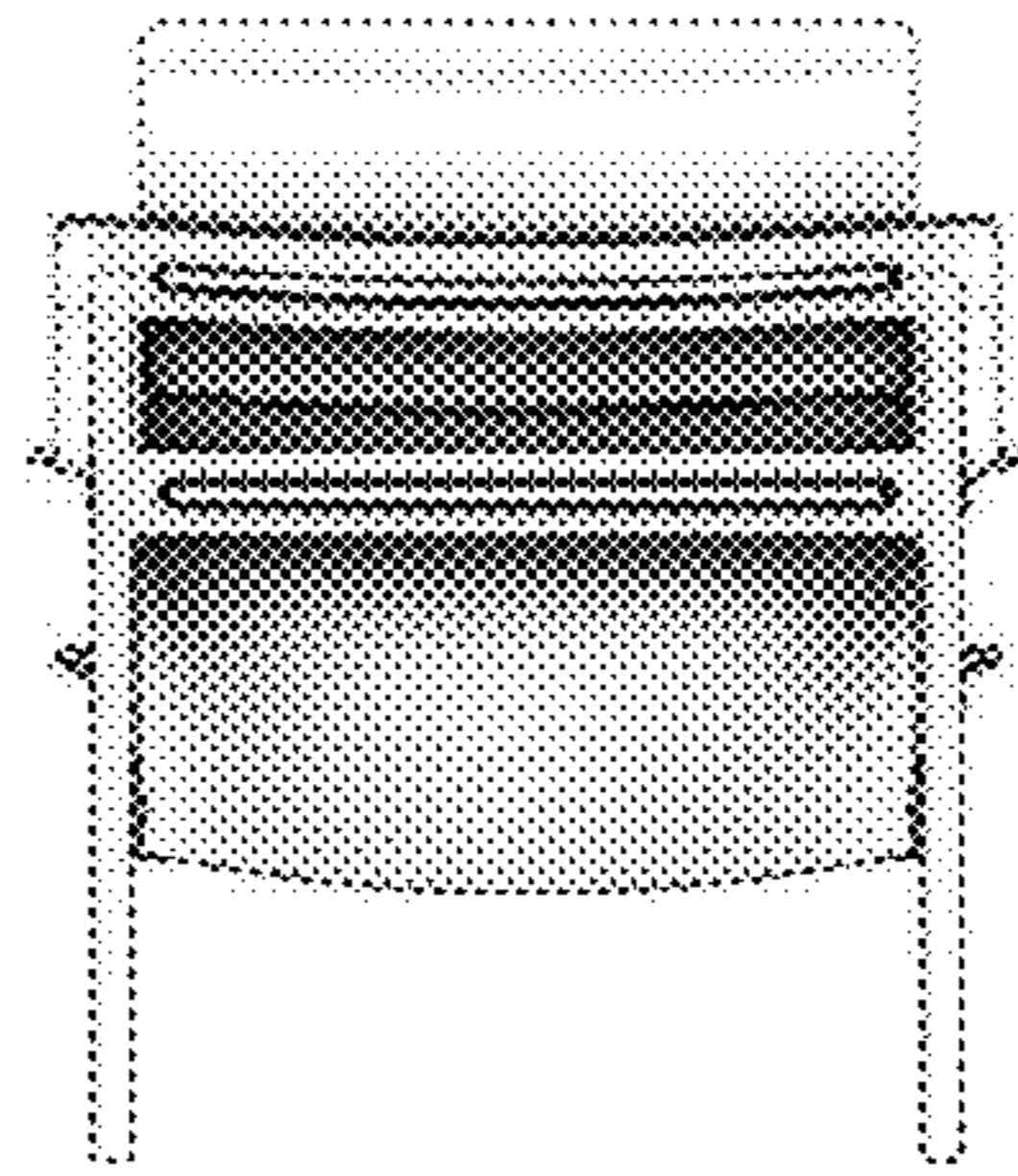


FIGURE 4

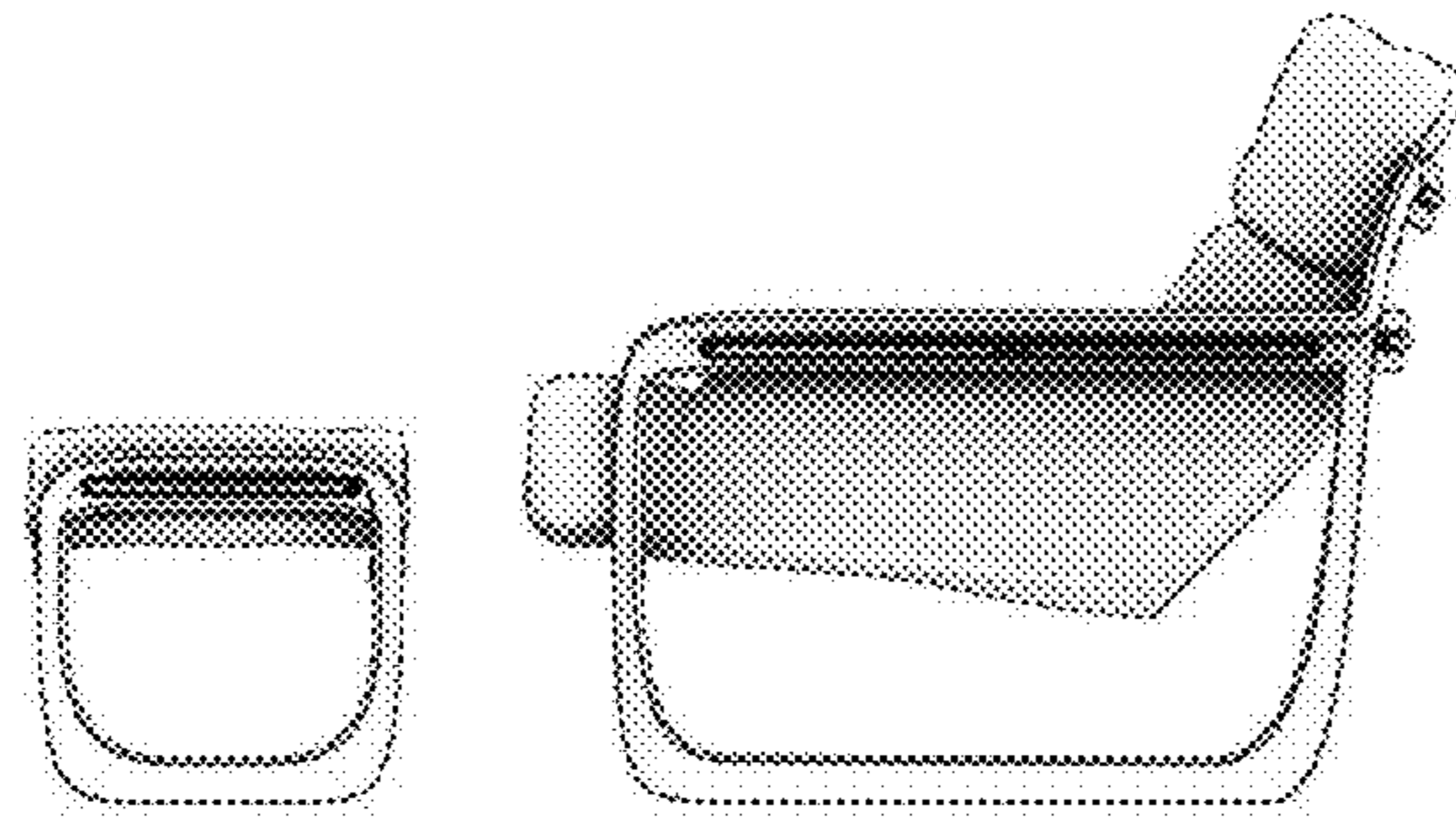


FIGURE 5

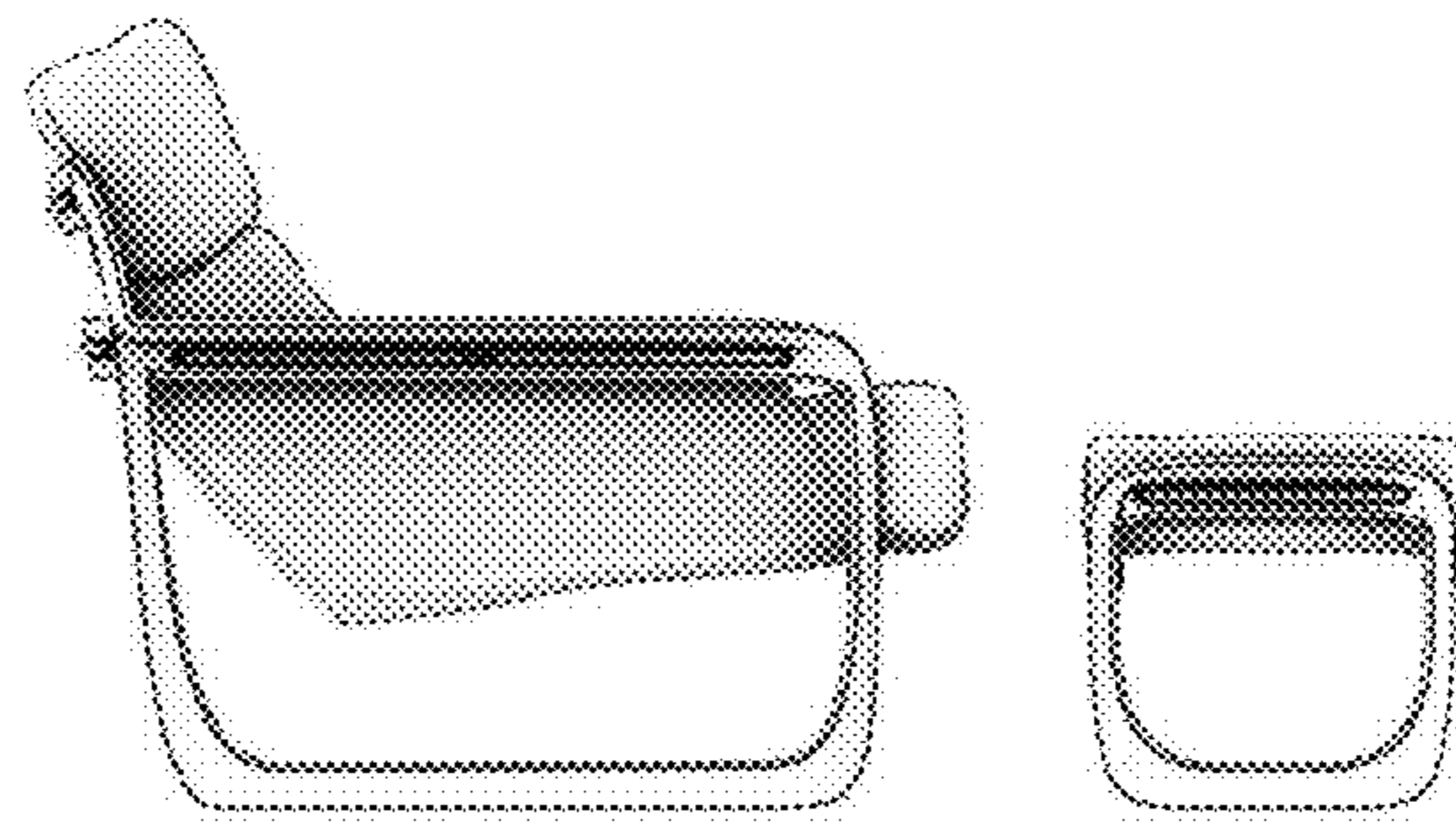


FIGURE 6