



US00D848160S

(12) **United States Design Patent**
Hiyoshi et al.

(10) **Patent No.:** **US D848,160 S**

(45) **Date of Patent:** **** May 14, 2019**

- (54) **SCREEN**
- (71) Applicant: **Steelcase Inc.**, Grand Rapids, MI (US)
- (72) Inventors: **Yuka Hiyoshi**, Grand Rapids, MI (US);
Ryan D Vaughan, Grand Rapids, MI (US)
- (73) Assignee: **Steelcase Inc.**, Grand Rapids, MI (US)
- (**) Term: **15 Years**
- (21) Appl. No.: **29/628,485**
- (22) Filed: **Dec. 5, 2017**
- (51) **LOC (11) Cl.** **06-06**
- (52) **U.S. Cl.**
USPC **D6/332**
- (58) **Field of Classification Search**
USPC D6/332, 383, 406.1, 406.2, 642, 643.1,
D6/644, 672, 673, 713, 714; 160/351
CPC A47B 2200/01; A47B 2200/12; A47B
2200/0071; A47B 2220/0058; A47B
2220/13; A47B 83/001; E04F 10/04;
E04H 1/125; E04B 2/7416; E04B 2/7422;
E04B 2/7427; E04B 2/7433; A47G 5/00
See application file for complete search history.

(56) **References Cited**

U.S. PATENT DOCUMENTS

- 3,180,446 A * 4/1965 Wenger G10K 11/002
160/351
- 3,512,857 A * 5/1970 Butera A47B 17/006
312/107
- 3,592,289 A 7/1971 Aysta et al.
- D229,910 S * 1/1974 Best et al. D6/672
- 4,014,597 A * 3/1977 Griffin, Jr. H04R 1/02
181/199
- RE30,777 E 10/1981 Ytter
- D290,662 S * 7/1987 Basil D6/310
- 4,759,520 A 7/1988 Levine

- 4,823,822 A * 4/1989 Maya E04H 15/58
135/19.5
- D304,526 S * 11/1989 Moss D6/332
- 4,949,490 A 8/1990 Miller
- D314,113 S * 1/1991 Hanfling D25/48.7
- 4,981,152 A 1/1991 Laurent
- 5,069,011 A * 12/1991 Jenne E04B 1/8236
160/135
- D330,469 S * 10/1992 Brodbeck D6/643
- 5,960,848 A * 10/1999 Schirer G09F 15/0068
160/135
- 6,189,594 B1 * 2/2001 Carter A45C 9/00
160/135
- D482,204 S 11/2003 Berg et al.
- D482,877 S 12/2003 Berg et al.
- D492,503 S * 7/2004 Gower D6/643

(Continued)

OTHER PUBLICATIONS

Turnstone Clipper Screen Space Divider—Steelcase (on-line), no date available. Retrieved from Internet Dec. 17, 2018, URL: <https://www.steelcase.com/products/screens/clipper/> (3 pages).*

Primary Examiner — Katie Jane Stofko
Assistant Examiner — Kimberly Barnes

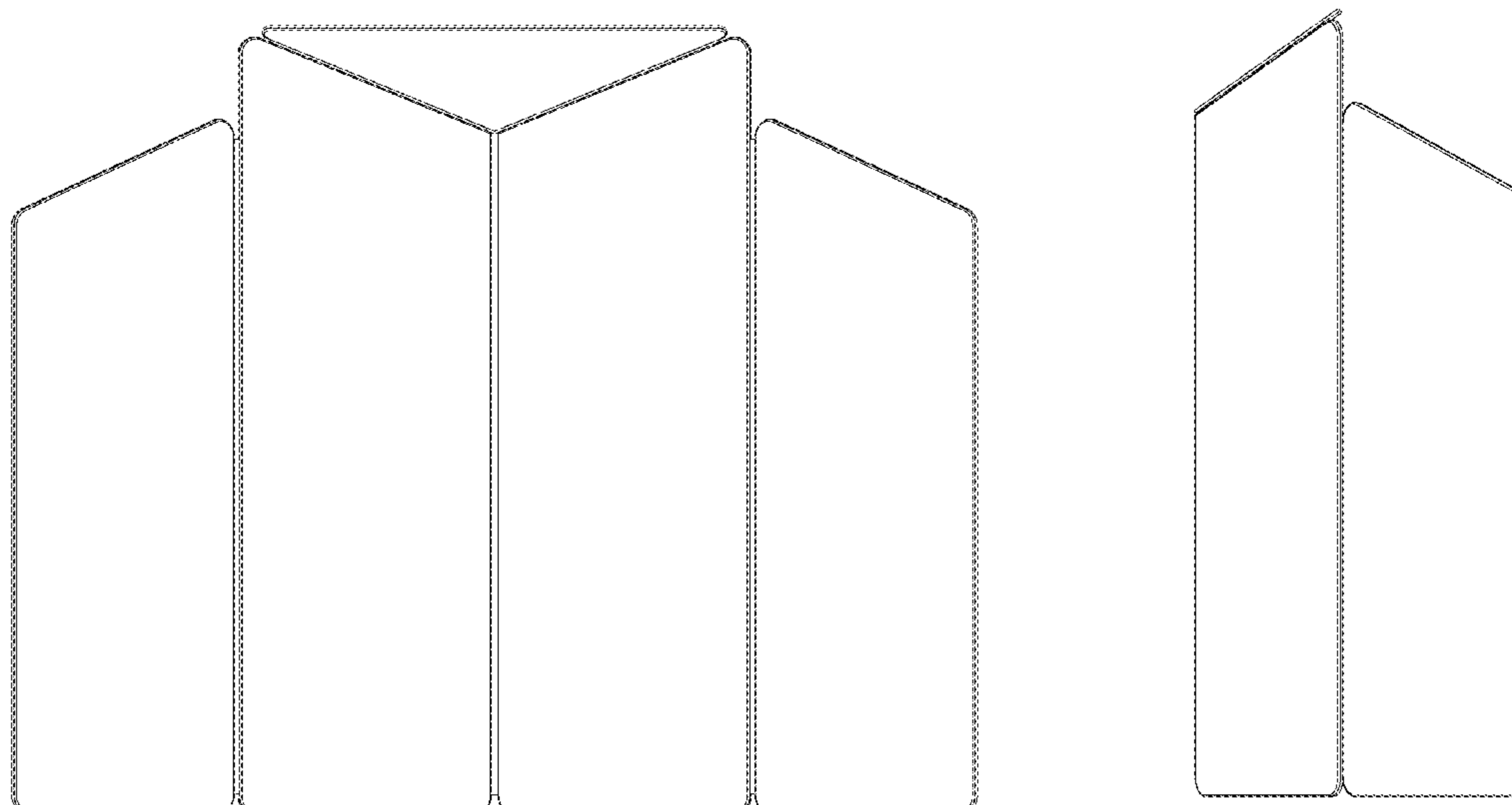
(57) **CLAIM**

We claim the ornamental design for a screen, as shown and described.

DESCRIPTION

FIG. 1 is a front perspective view of a screen showing our new design;
FIG. 2 is a front view of the screen of FIG. 1;
FIG. 3 is a rear view of the screen of FIG. 1;
FIG. 4 is a left side view of the screen of FIG. 1, the right side view is a mirror image of the left side view of FIG. 4;
FIG. 5 is a top view of the screen of FIG. 1; and,
FIG. 6 is a bottom view of the screen of FIG. 1.

1 Claim, 6 Drawing Sheets



(56)

References Cited

U.S. PATENT DOCUMENTS

6,779,286 B2 * 8/2004 Shaffer G09F 1/12
40/606.16

D540,565 S 4/2007 Nakamura

D557,867 S 12/2007 Northrop

D560,072 S 1/2008 Willis

7,600,608 B2 * 10/2009 Freiheit E04B 1/8236
181/287

D641,560 S 7/2011 Thompson

D651,416 S 1/2012 Martin et al.

D669,693 S 10/2012 Göranson et al.

D670,929 S * 11/2012 Pinette D6/673

RE44,673 E * 12/2013 Albenda G09F 1/06
206/736

8,955,243 B2 * 2/2015 Dashe G09F 1/06
40/539

D725,919 S 4/2015 Hidalgo et al.

D726,424 S 4/2015 Nguyen et al.

D750,312 S * 2/2016 Reynolds D26/118

D754,253 S * 4/2016 Dashe D20/40

D762,876 S 8/2016 Karashima

D774,318 S 12/2016 Tsuchiyama et al.

D774,339 S 12/2016 Parshad

D777,459 S 1/2017 Parshad

D782,835 S 4/2017 Parshad

D791,871 S * 7/2017 Okawa D19/90

D796,216 S 9/2017 Rockwell et al.

D798,611 S 10/2017 Kitajima

D813,433 S * 3/2018 Stathis D26/51

2006/0048421 A1 3/2006 Oleksak

2017/0328127 A1 * 11/2017 Stathis A47B 21/06

* cited by examiner

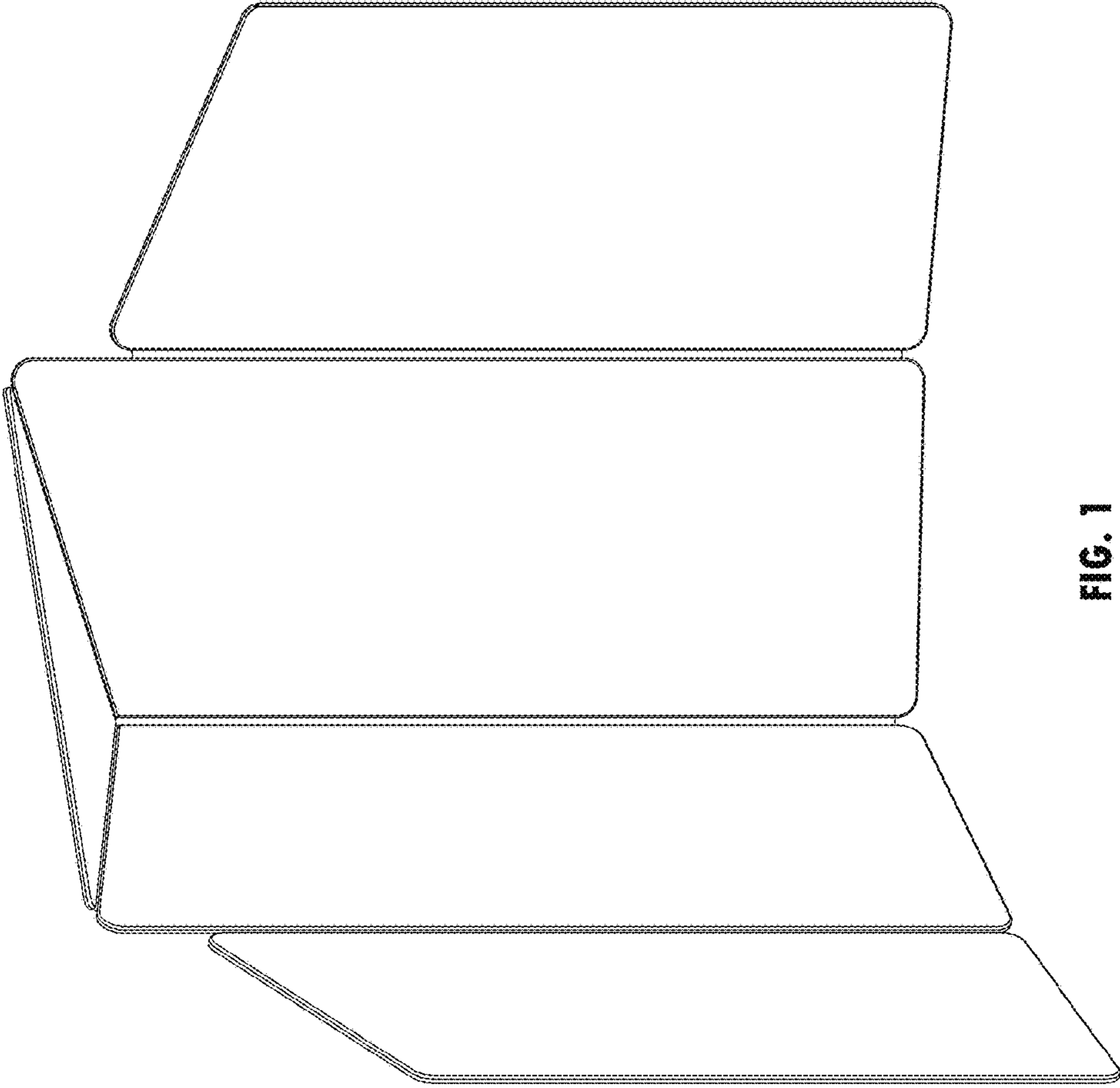


FIG. 1

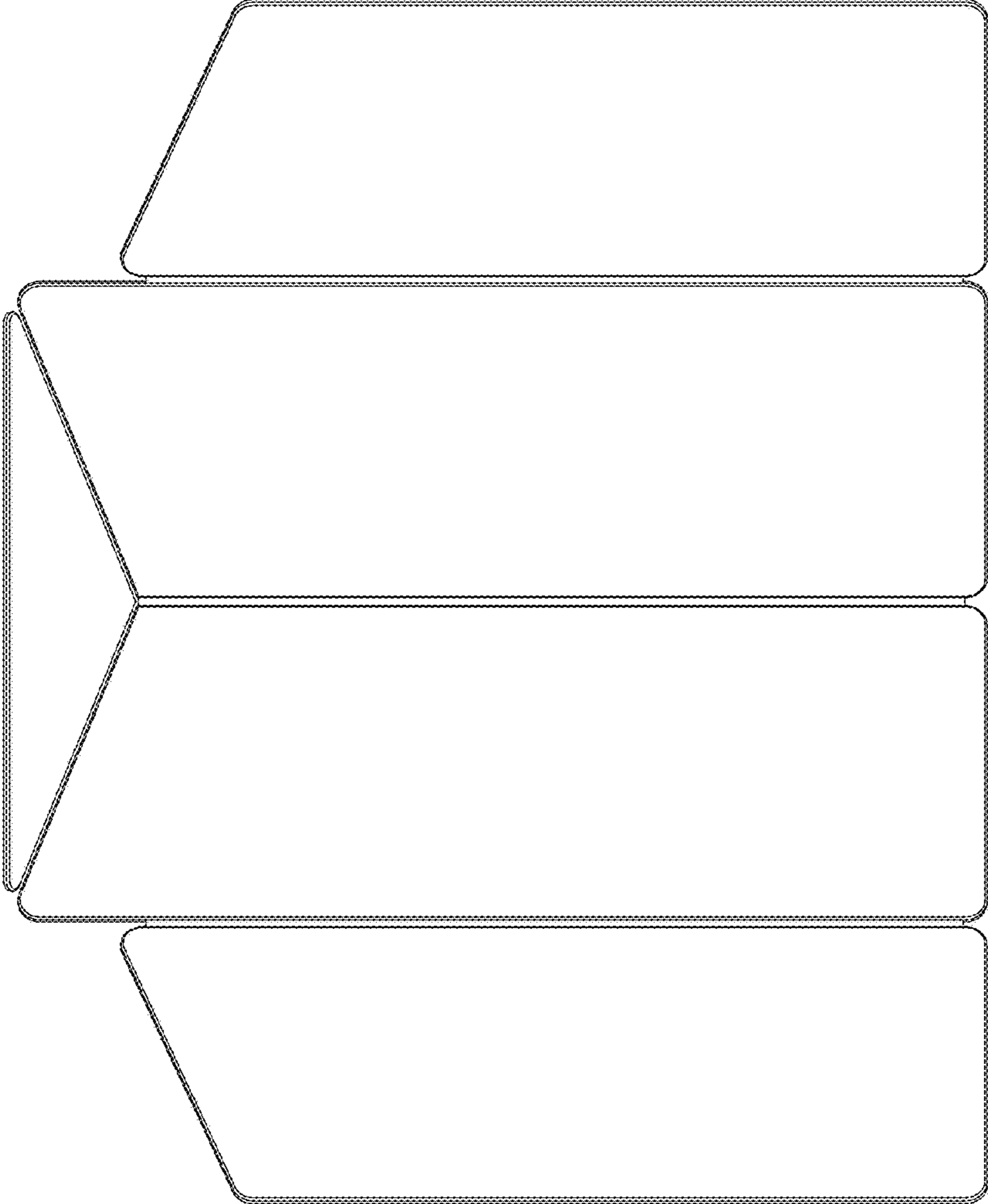


FIG. 2

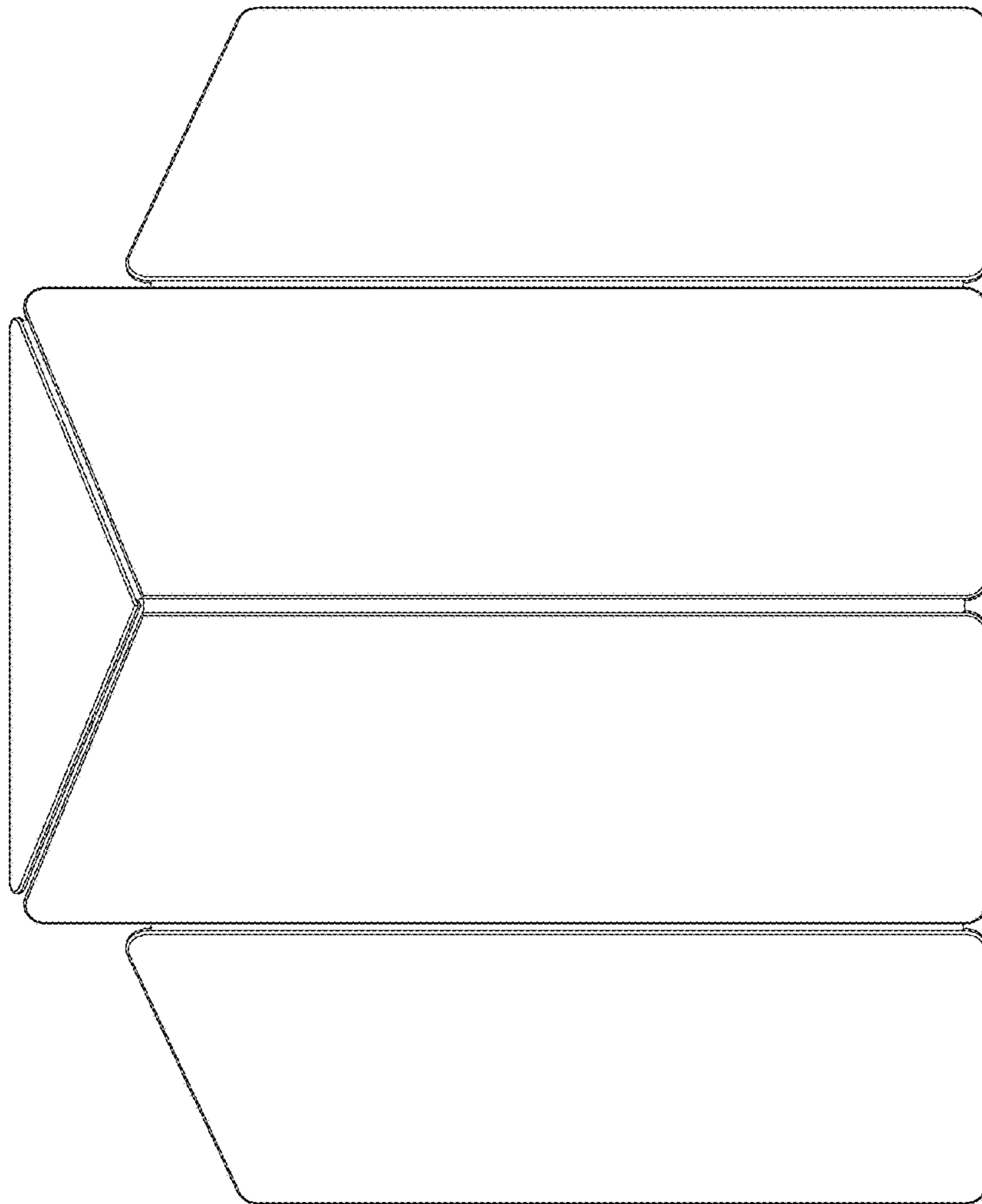


FIG. 3

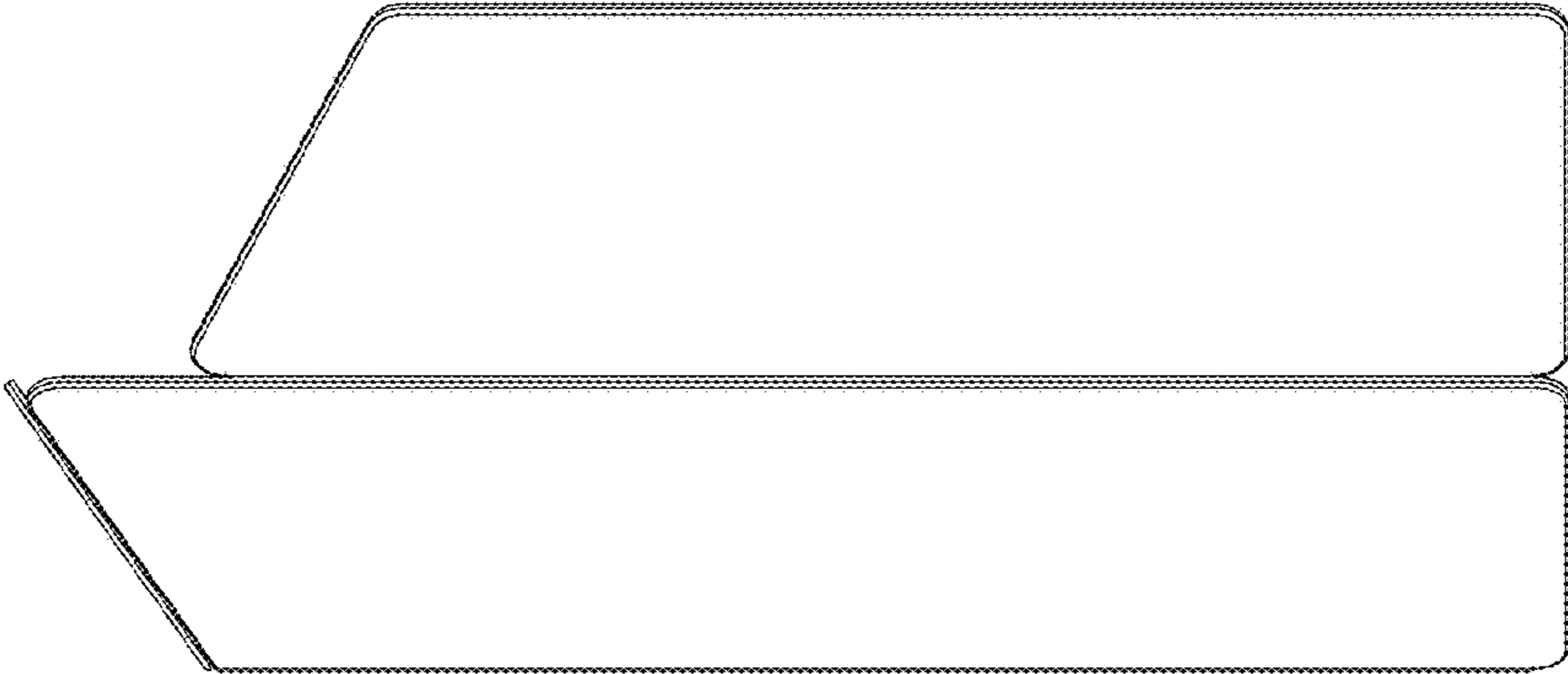


FIG. 4

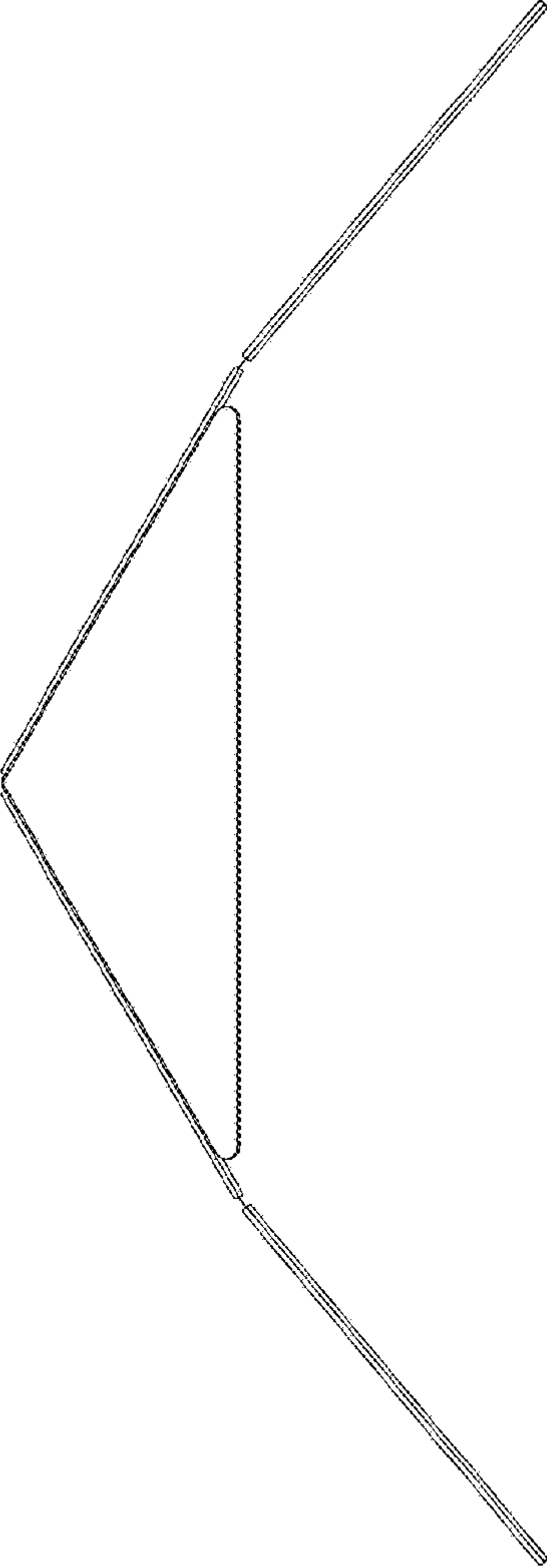


FIG. 5

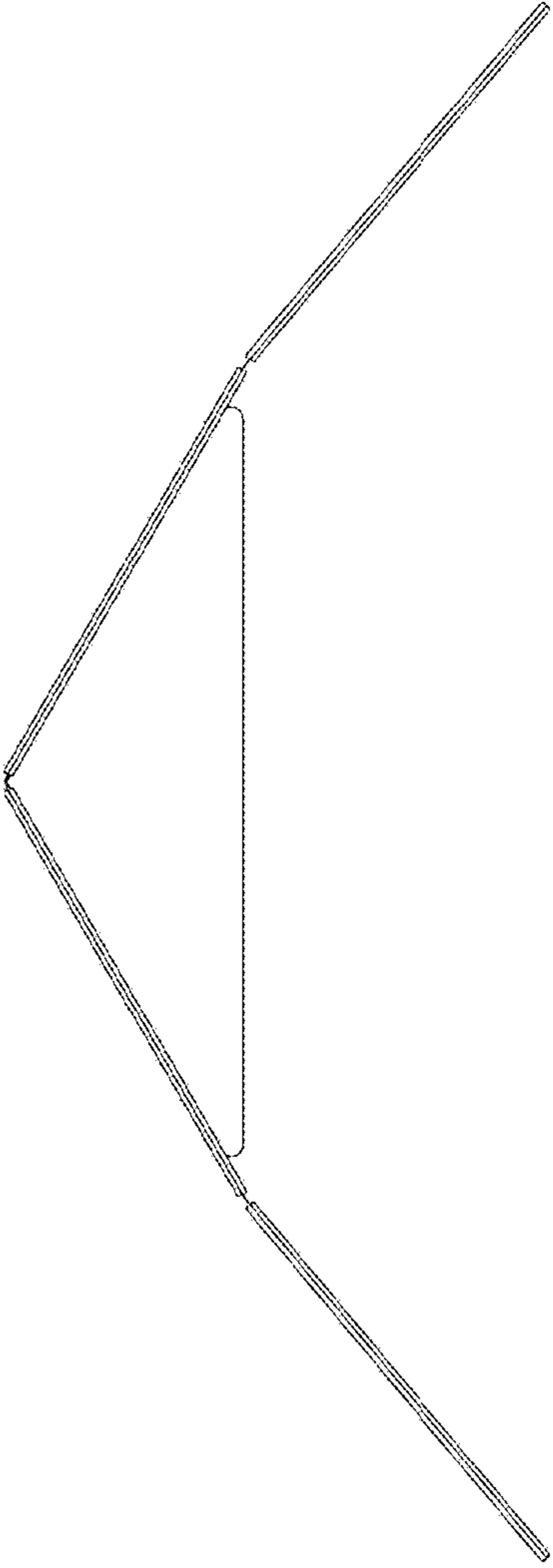


FIG. 6