



US00D848155S

(12) **United States Design Patent**
D'Andreta

(10) **Patent No.:** **US D848,155 S**

(45) **Date of Patent:** **** May 14, 2019**

- (54) **AXIS RING WITH BRUSH**
- (71) Applicant: **TD Industrial Coverings, Inc.**, Sterling Heights, MI (US)
- (72) Inventor: **Mark D'Andreta**, Ortonville, MI (US)
- (73) Assignee: **TD INDUSTRIAL COVERINGS, INC.**, Sterling Heights, MI (US)
- (**) Term: **15 Years**
- (21) Appl. No.: **29/599,136**
- (22) Filed: **Mar. 31, 2017**
- (51) **LOC (11) Cl.** **04-01**
- (52) **U.S. Cl.**
USPC **D4/116; D15/199**
- (58) **Field of Classification Search**
USPC D4/116-118, 130-134; D15/122, 199; D32/41
CPC A45D 24/14; A45D 24/16; A46B 3/005; A46B 5/00; A46B 5/02; A46B 5/021; A46B 9/02; A46B 9/021; A46B 9/023; A46B 13/001; A46B 13/008; A46B 15/0055; A46B 15/0081; A46B 15/0087; A46B 17/02; A46B 2200/30; A46B 2200/104; A46B 2200/106; A46B 2200/202; A46B 2200/205; A46B 2200/207; A46B 2200/304; A46B 2200/1006; A46B 2200/1046; A46B 2200/1053; A46B 2200/3006; A46B 2200/3033; A46B 2200/3093
See application file for complete search history.

- D238,126 S * 12/1975 O'Neil B05B 13/0431 D4/130
- 4,611,363 A * 9/1986 Samuelsson A47L 1/06 15/245
- 4,733,423 A * 3/1988 Blatt A46B 9/02 15/104.04
- 4,882,802 A * 11/1989 Levere, Jr. A46B 5/0054 15/144.1
- D309,377 S * 7/1990 Taylor D4/130
- 5,117,530 A * 6/1992 Rank E01H 5/02 15/245
- D328,807 S * 8/1992 Millar D32/41
- D343,265 S * 1/1994 Pollak D32/41
- D357,563 S * 4/1995 Vosbikian D32/41
- D360,505 S * 7/1995 Goodman D32/41
- 6,553,941 B2 * 4/2003 Porter A61D 11/00 119/604
- D490,450 S * 5/2004 Hayashi D15/122

(Continued)

Primary Examiner — Keli L Hill

(74) *Attorney, Agent, or Firm* — Stephen T. Olson; Harness, Dickey & Pierce, P.L.C.

(57) **CLAIM**

The ornamental design for an axis ring with brush, as shown and described.

DESCRIPTION

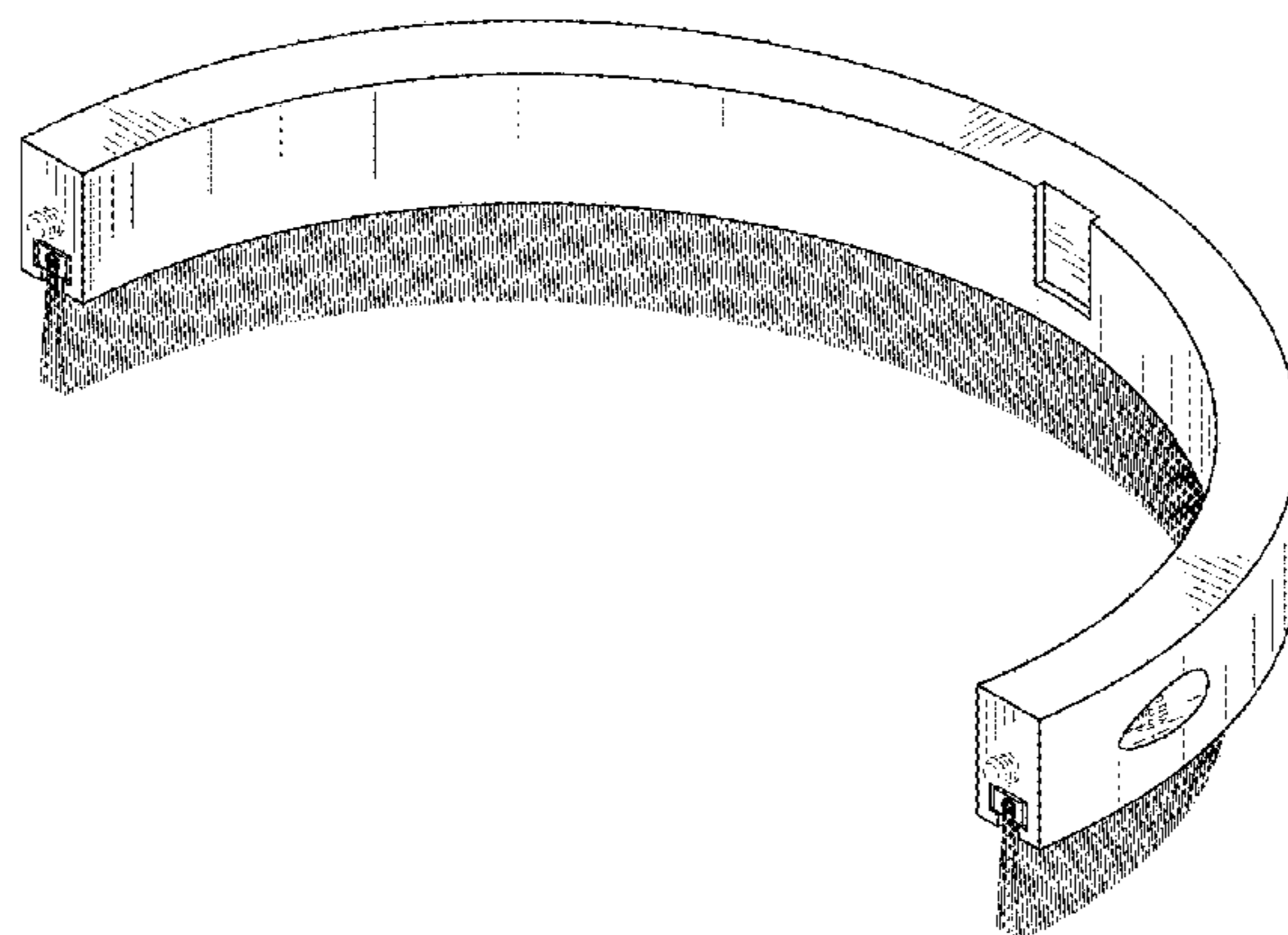
FIG. 1 is a perspective view of an axis ring with brush my new design, the axis ring including blocking member in the form of a brush having a plurality of bristles.
 FIG. 2 is an inner side view thereof.
 FIG. 3 is an outer side view thereof.
 FIG. 4 is a left side view thereof.
 FIG. 5 is a right side view thereof.
 FIG. 6 is a top view thereof; and,
 FIG. 7 is a bottom view thereof.
 The broken lines shown are included for the purpose of illustrating portions of the axis ring with brush that form no part of the claim.

1 Claim, 4 Drawing Sheets

(56) **References Cited**

U.S. PATENT DOCUMENTS

- 1,720,630 A * 7/1929 Eiermann A47L 13/11 15/245
- 1,918,611 A * 7/1933 Oberti A47L 1/06 15/144.1



(56)

References Cited

U.S. PATENT DOCUMENTS

D688,433 S * 8/2013 Morcott D32/47
D693,078 S * 11/2013 Nordvik D32/50
D696,827 S * 12/2013 Crawley D32/17
D709,757 S * 7/2014 Yang D8/395
D773,766 S * 12/2016 Smith D32/41
D781,594 S * 3/2017 Lowe E01H 5/02
D4/130
D781,595 S * 3/2017 Lowe A47L 1/06
D4/130
9,630,394 B2 * 4/2017 Hoffman, Jr. B41F 15/44
10,010,231 B2 * 7/2018 Knutson A47L 11/4011
2014/0216334 A1 * 8/2014 D'Andreta B05B 13/0431
118/504
2017/0274402 A1 * 9/2017 D'Andreta B25J 19/0075
2017/0326571 A1 * 11/2017 D'Andreta B25J 19/0075

* cited by examiner

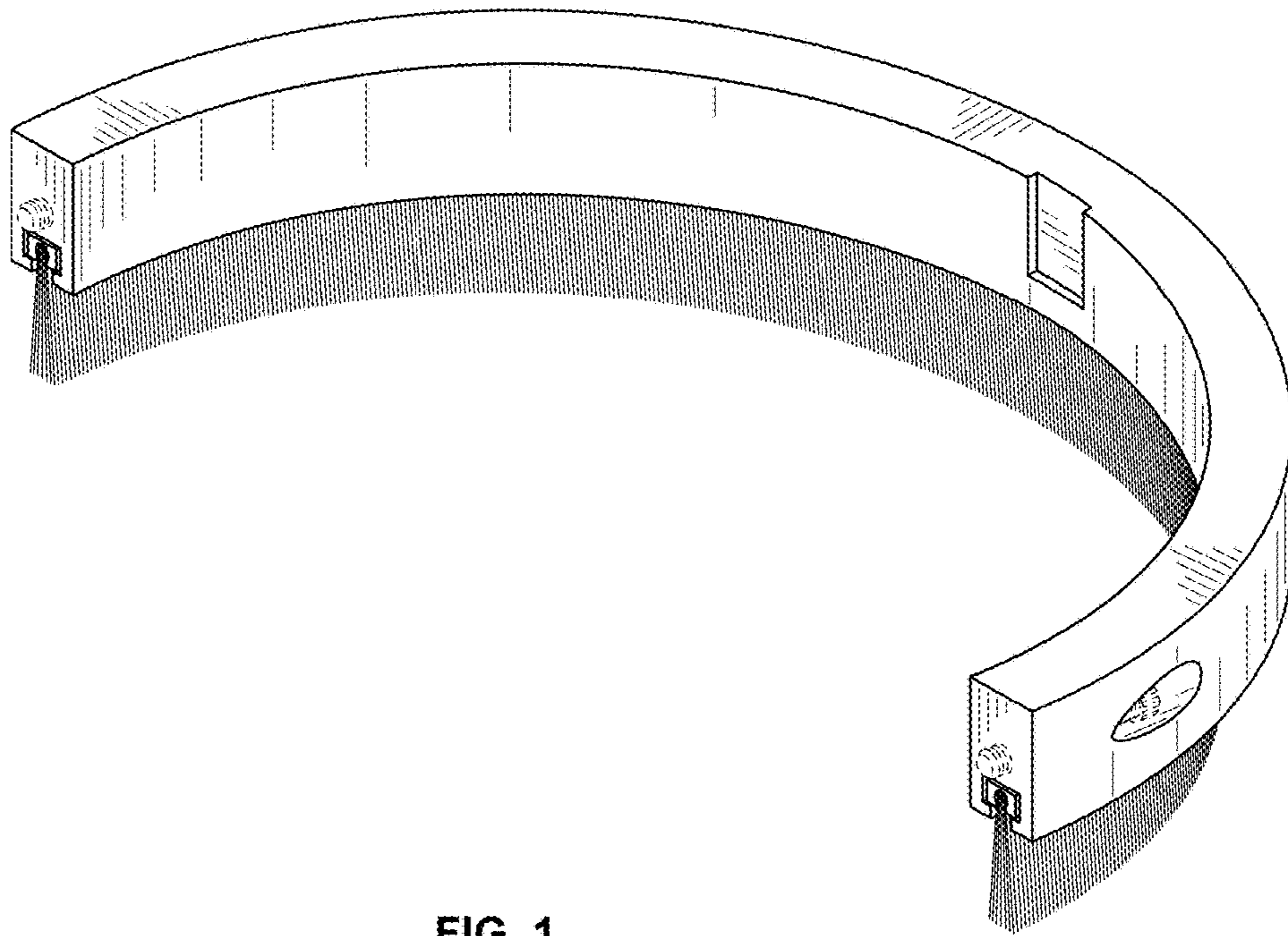


FIG. 1

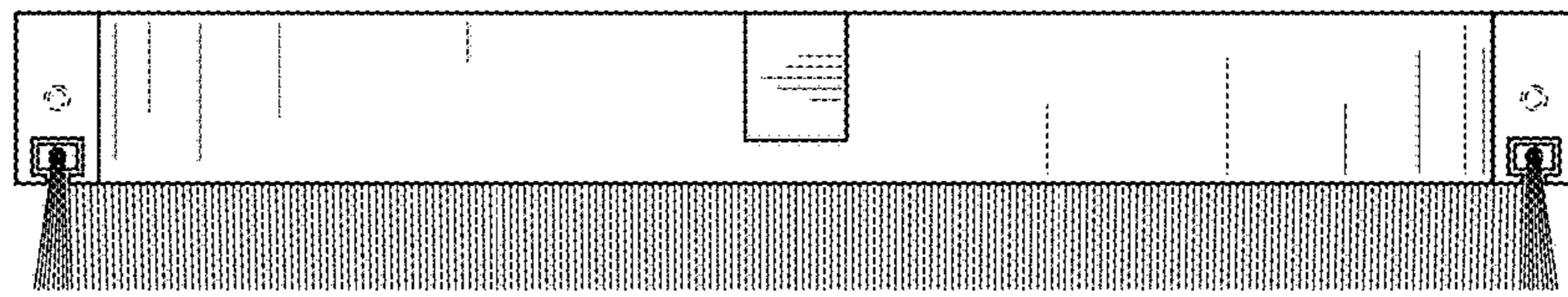


FIG. 2

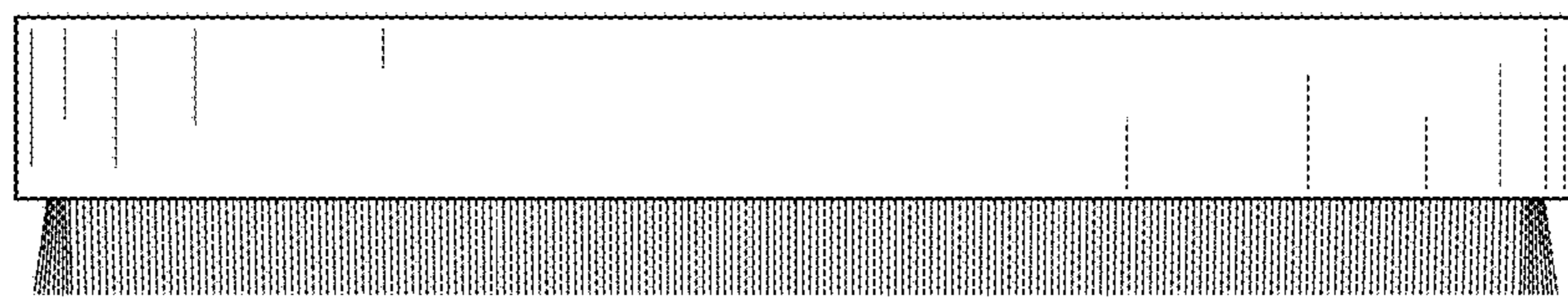


FIG. 3

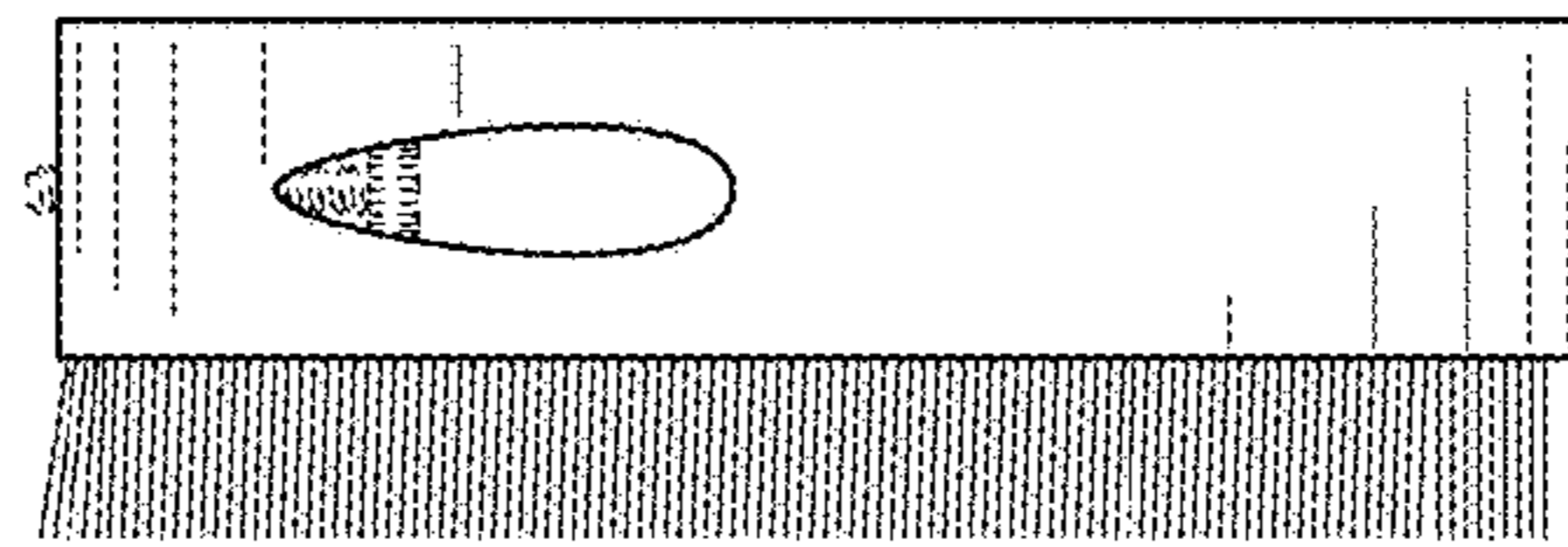


FIG. 4

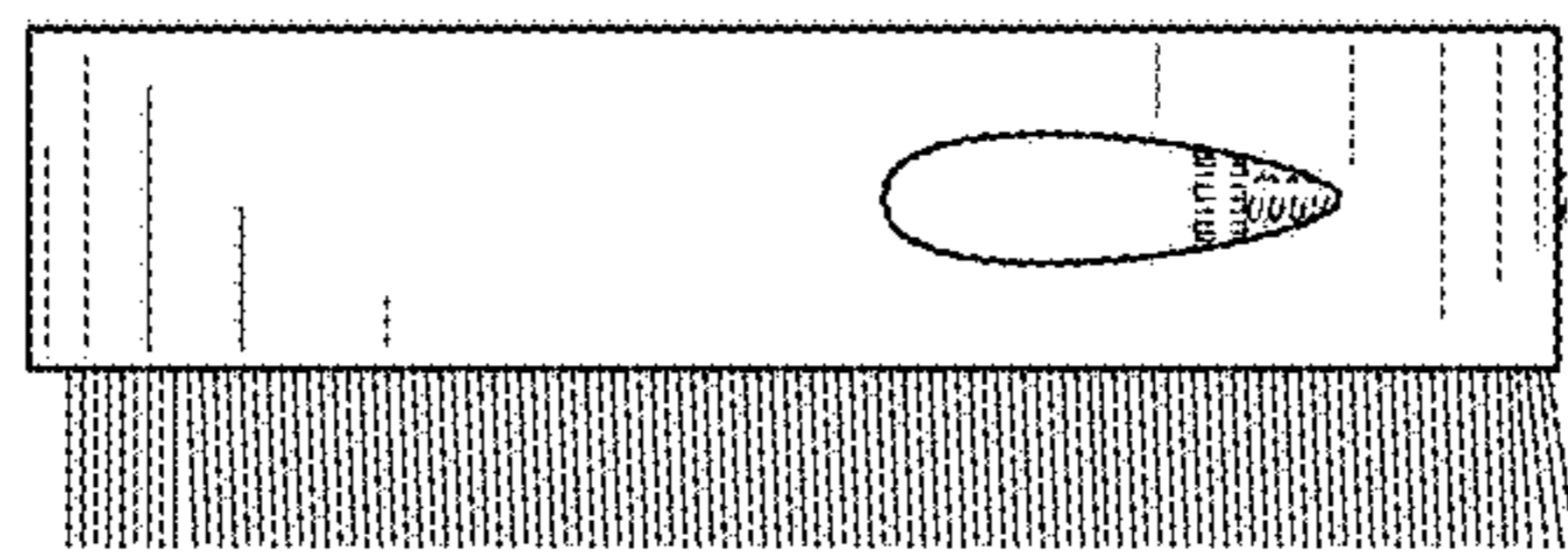


FIG. 5

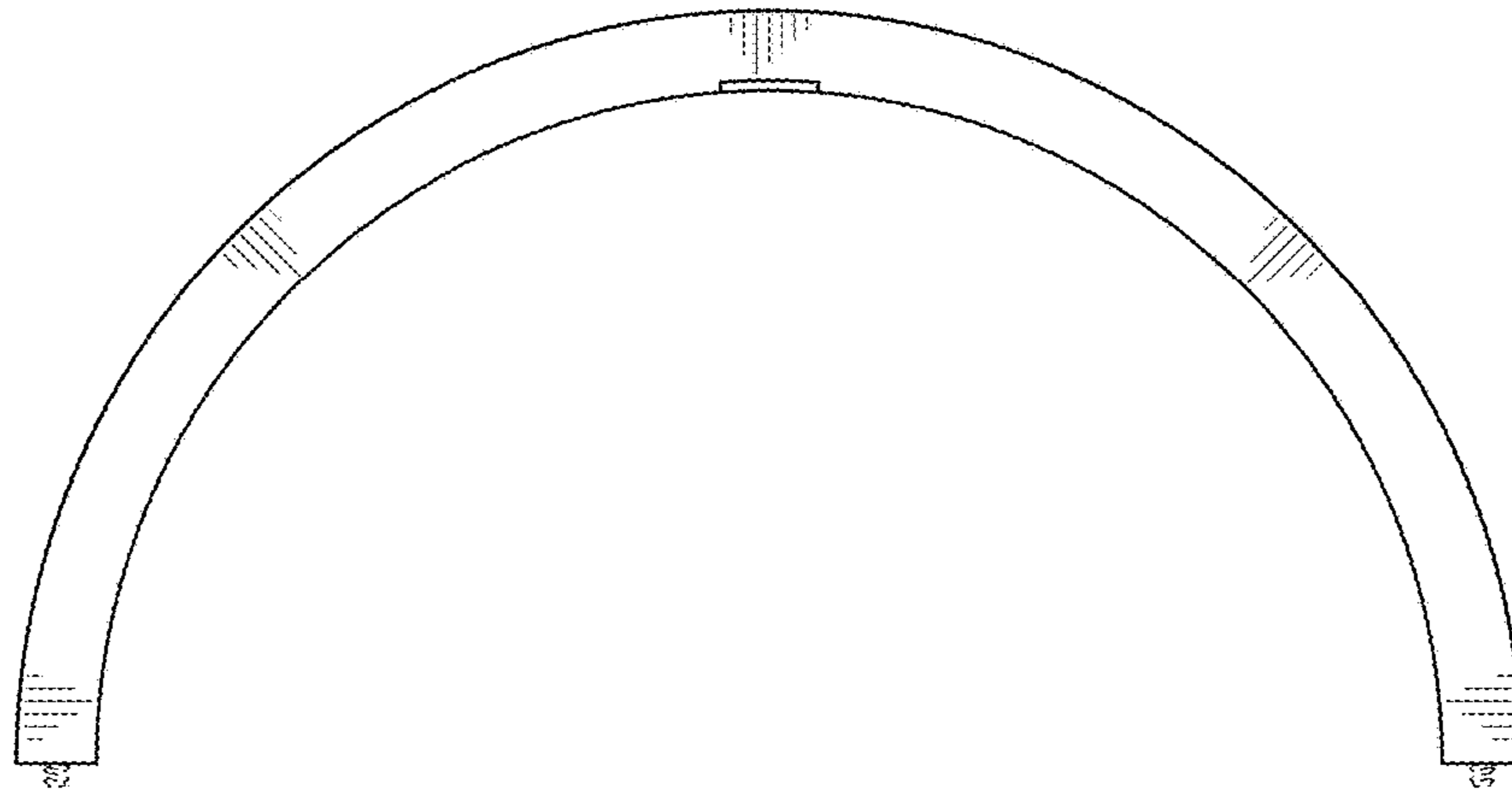


FIG. 6

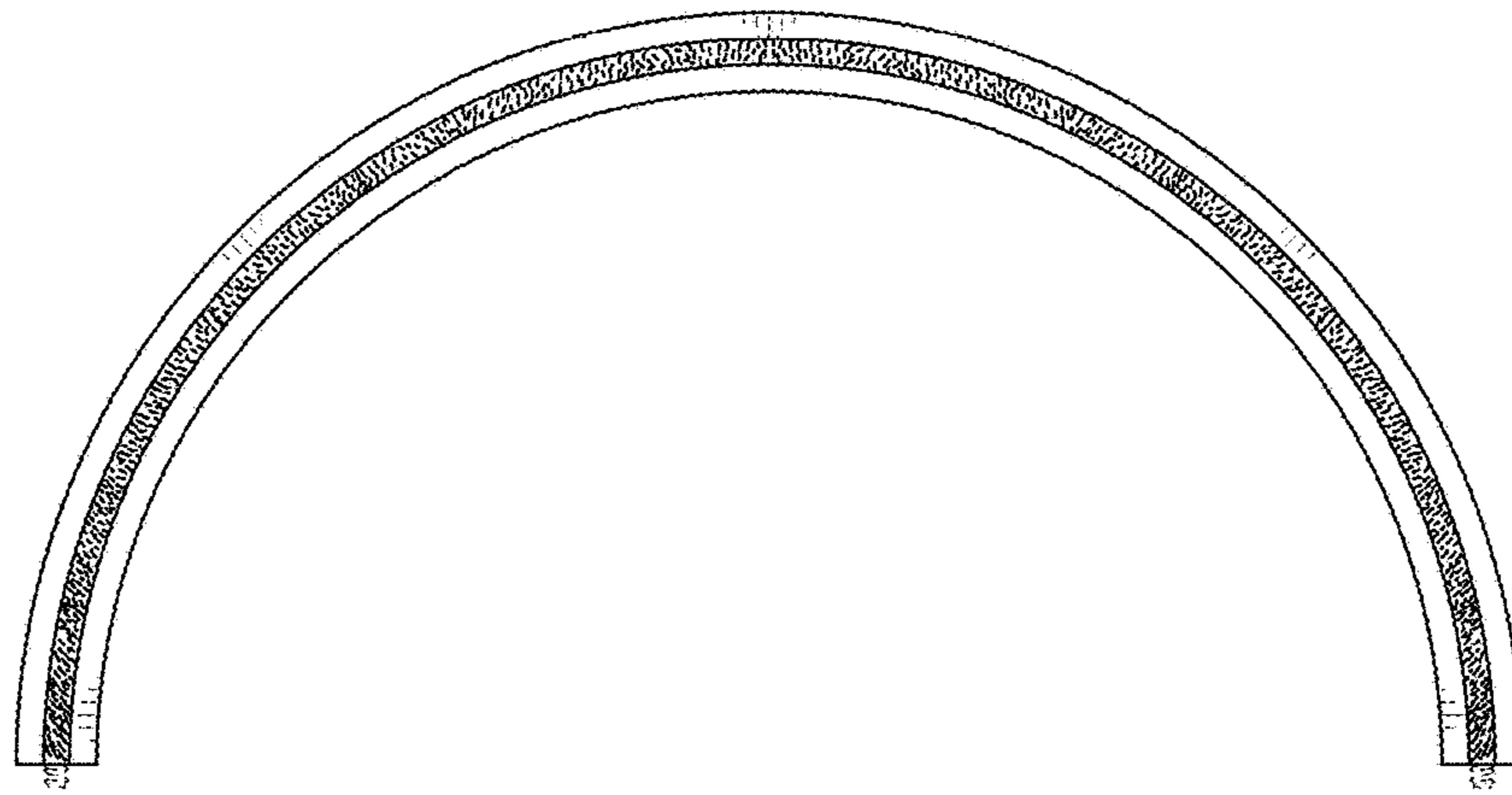


FIG. 7