



US00D848153S

(12) **United States Design Patent** (10) **Patent No.:** **US D848,153 S**
Marchetti et al. (45) **Date of Patent:** **** May 14, 2019**

(54) **HANDLE FOR PERSONAL CARE APPLIANCE**
(71) Applicant: **ZOBELE HOLDING SPA**, Trento (IT)
(72) Inventors: **Fabio Marchetti**, Trento (IT); **Stefano Deflorian**, Trento (IT)
(73) Assignee: **ZOBELE HOLDING S.P.A.**, Trento (IT)
(**) Term: **15 Years**
(21) Appl. No.: **35/503,046**
(22) Filed: **Nov. 23, 2016**

6,955,539 B2 * 10/2005 Shortt A61C 17/34
132/322
D619,368 S * 7/2010 Toshima D4/101
D682,554 S * 5/2013 Harrison D4/101
D690,945 S * 10/2013 Williams D4/128
D754,975 S * 5/2016 Buckley D4/138
D759,382 S * 6/2016 Watkins D4/101
D765,414 S * 9/2016 Sosa D4/101
D768,386 S * 10/2016 Demarest D4/100
D776,438 S * 1/2017 Sedic D4/111
D782,657 S * 3/2017 Williams D24/111
D783,810 S * 4/2017 Kim D24/111
D787,189 S * 5/2017 Fretwell D4/101
D811,094 S * 2/2018 Sedic D4/111
D812,912 S * 3/2018 Eidenbenz D4/111
2003/0213075 A1 * 11/2003 Hui A61C 17/225
15/22.1

(80) **Hague Agreement Data**
Int. Filing Date: **Nov. 23, 2016**
Int. Reg. No.: **DM/094574**
Int. Reg. Date: **Nov. 23, 2016**
Int. Reg. Pub. Date: **May 26, 2017**

* cited by examiner
Primary Examiner — Rhea Shields
(74) *Attorney, Agent, or Firm* — Ostrolenk Faber LLP

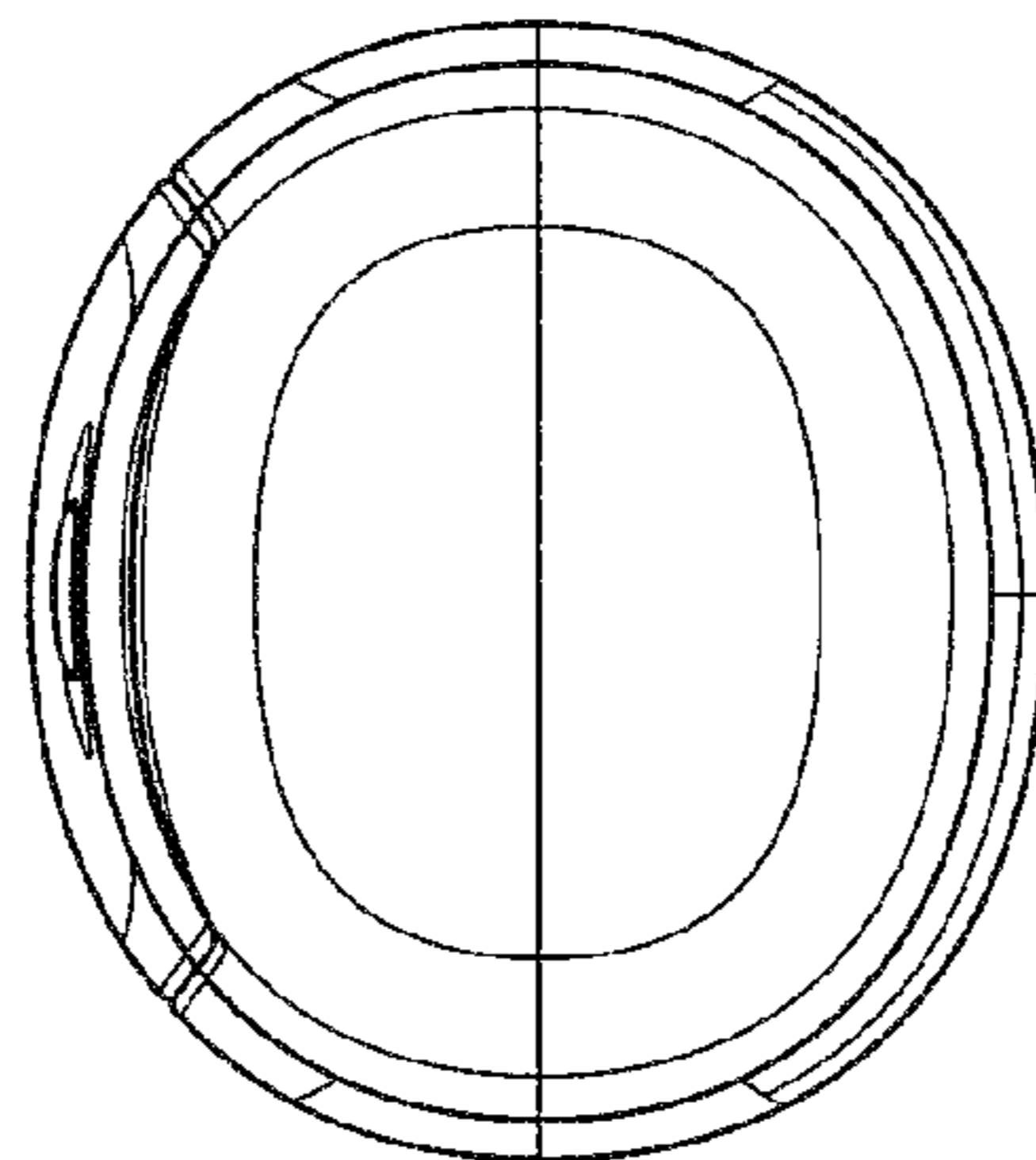
(51) **LOC (11) Cl.** **04-01**
(52) **U.S. Cl.**
USPC **D4/101**
(58) **Field of Classification Search**
USPC D4/101, 128, 138, 100, 111, 102;
D24/111; 15/22.1, 186, 167.1; 132/322,
132/120
CPC A45D 19/02; A61C 17/225; A61C 17/34
See application file for complete search history.

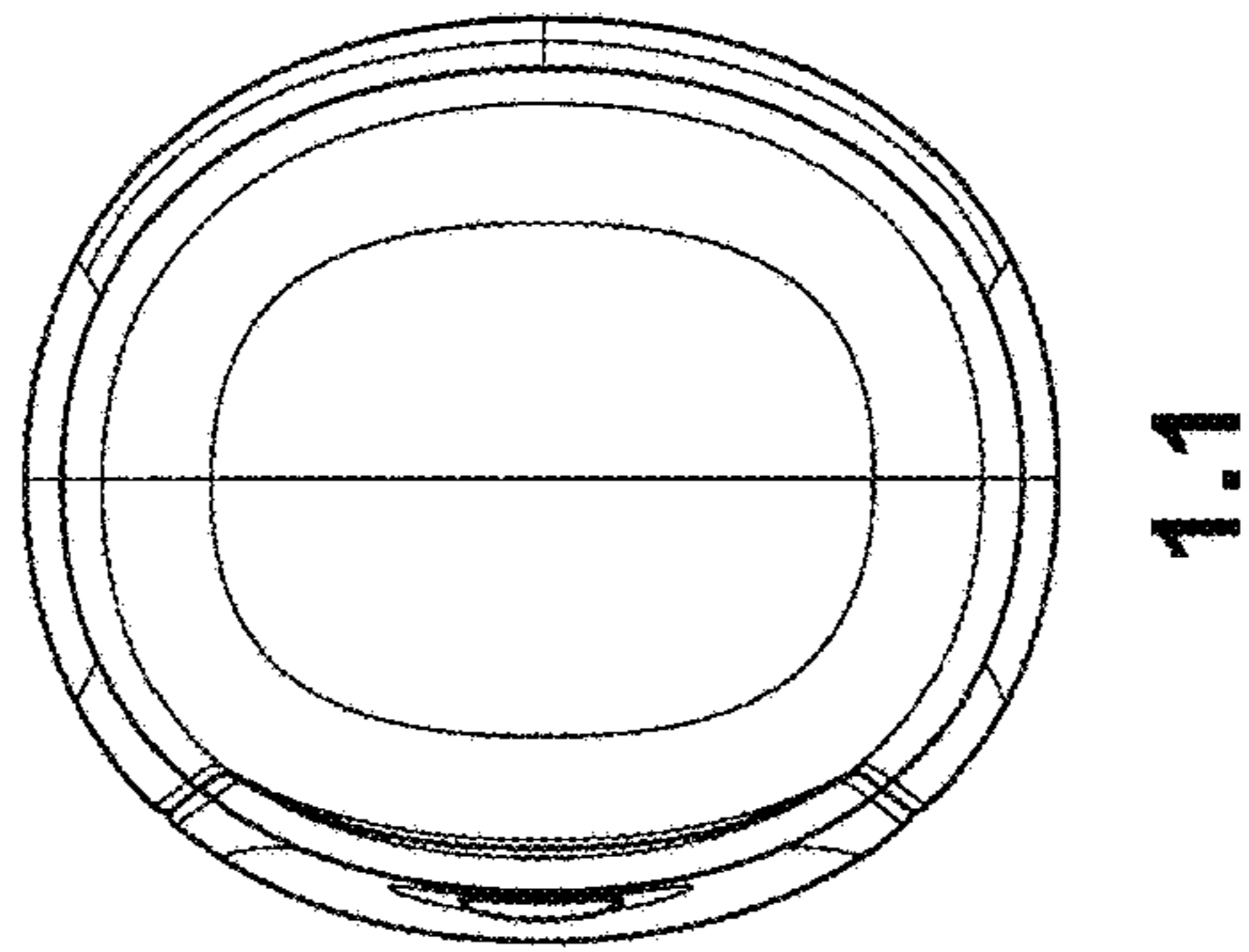
(57) **CLAIM**
The ornamental design for a handle for a personal care appliance, as shown and described.

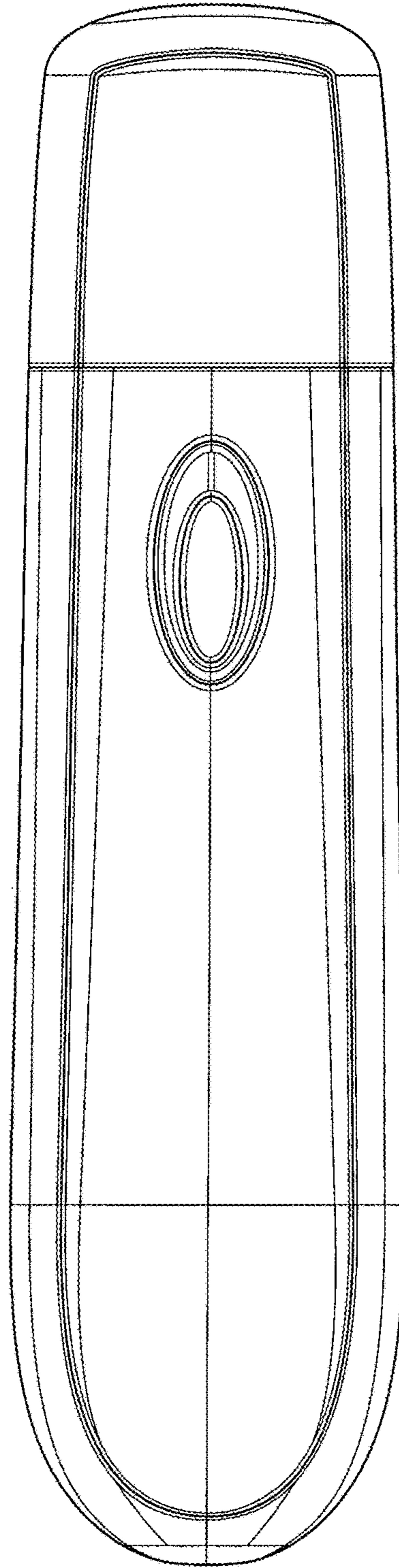
(56) **References Cited**
U.S. PATENT DOCUMENTS
D457,726 S * 5/2002 Tse D4/101
D458,028 S * 6/2002 McCurrach D4/101
D509,585 S * 9/2005 Kling D24/111

DESCRIPTION
1.1 is a front view illustration of a handle for a personal care appliance, according to our new design;
1.2 is a top view illustration thereof;
1.3 is a right side view illustration thereof;
1.4 is a left side view illustration thereof;
1.5 is a front, bottom, left side perspective view;
1.6 is a front, top, right side perspective view illustration thereof; and,
1.7 is a rear view illustration thereof.
In the drawings, the broken lines are for the purpose of illustrating environment only and form no part of the claimed design.

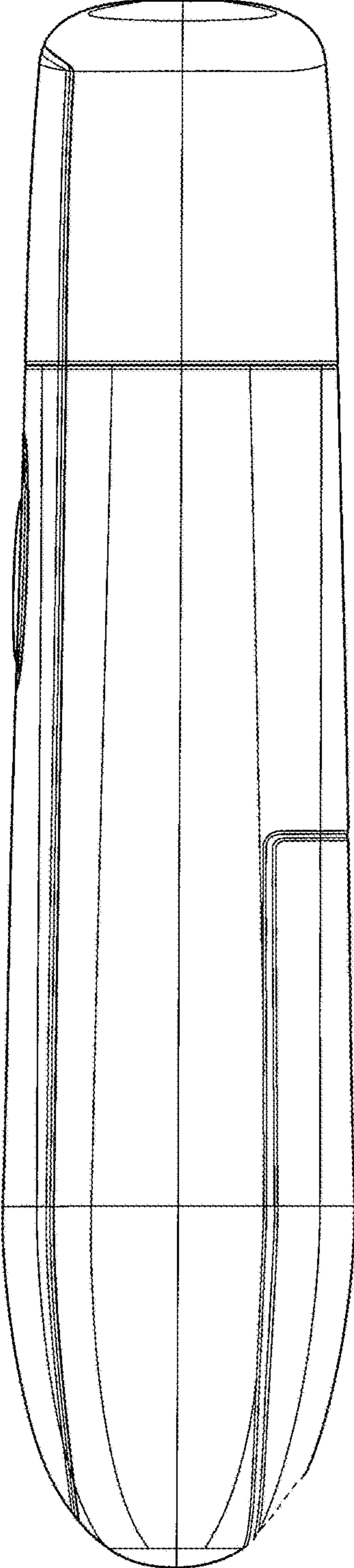
1 Claim, 7 Drawing Sheets



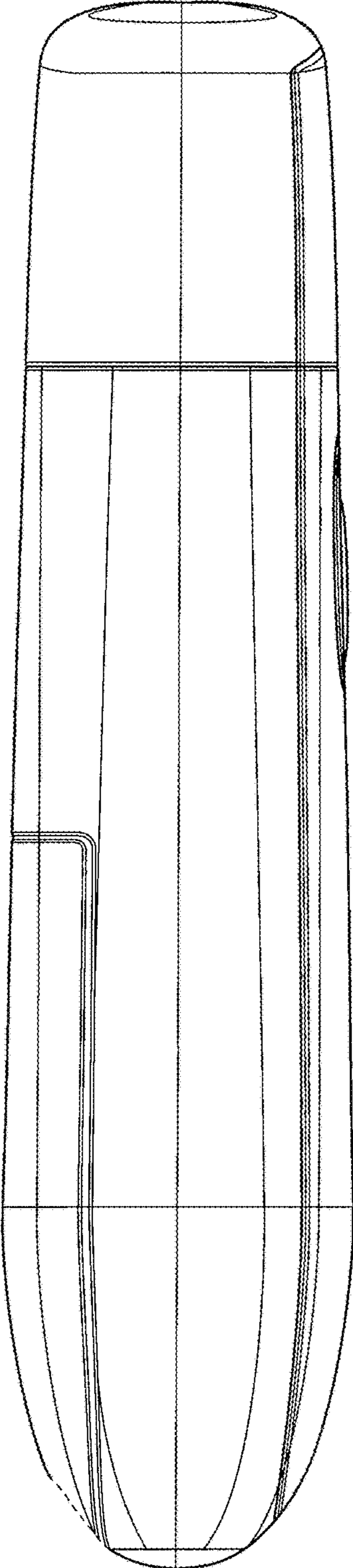




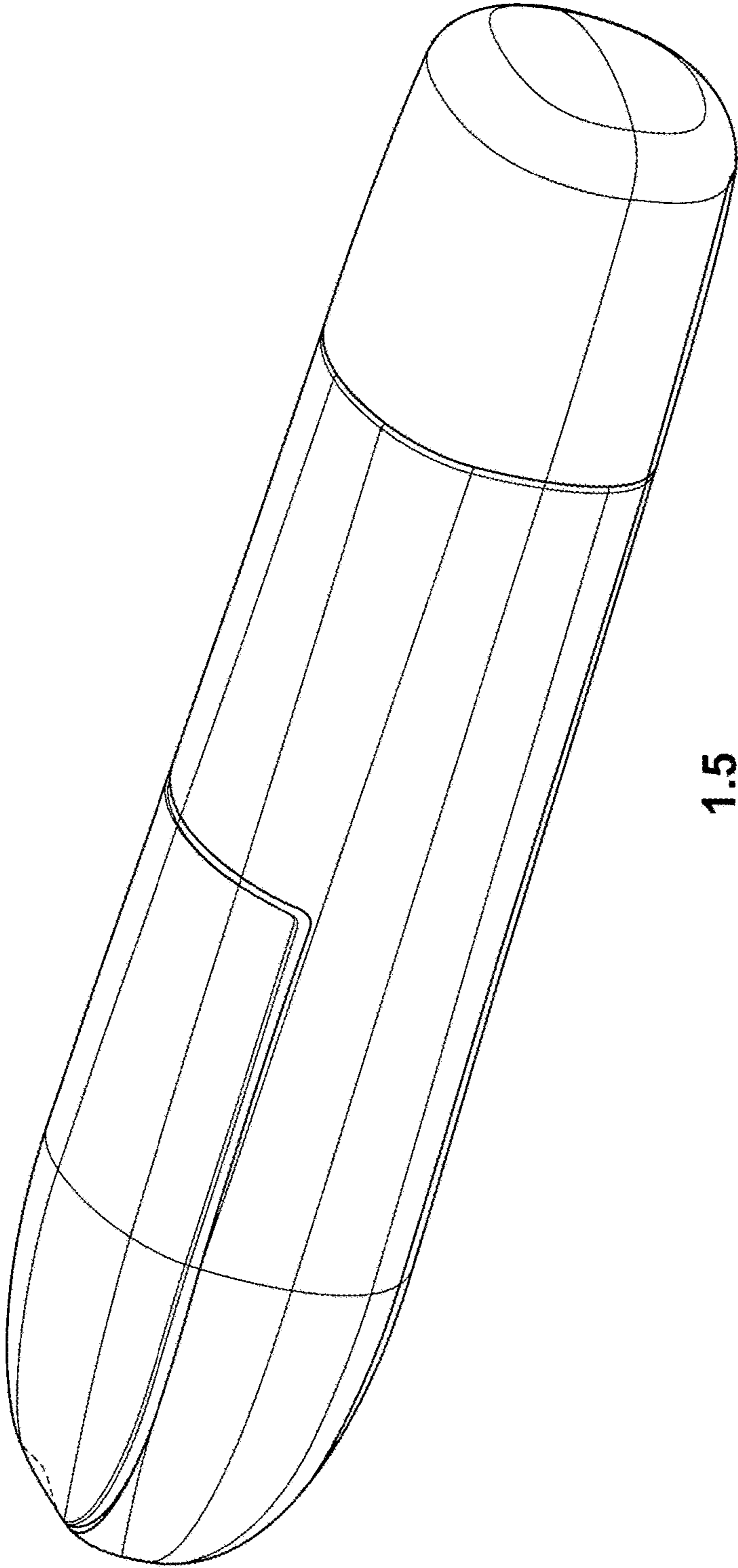
1.2



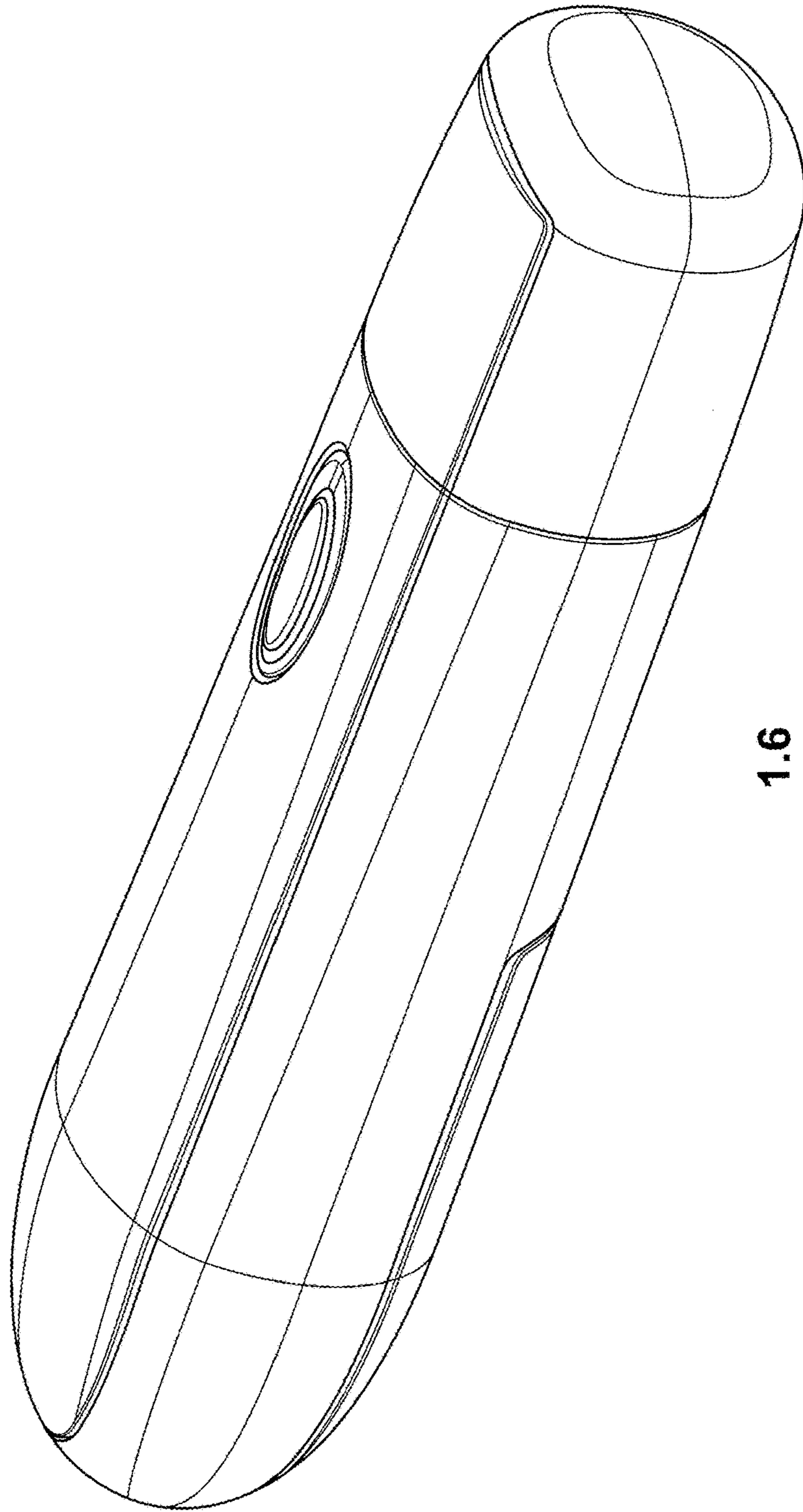
1.3



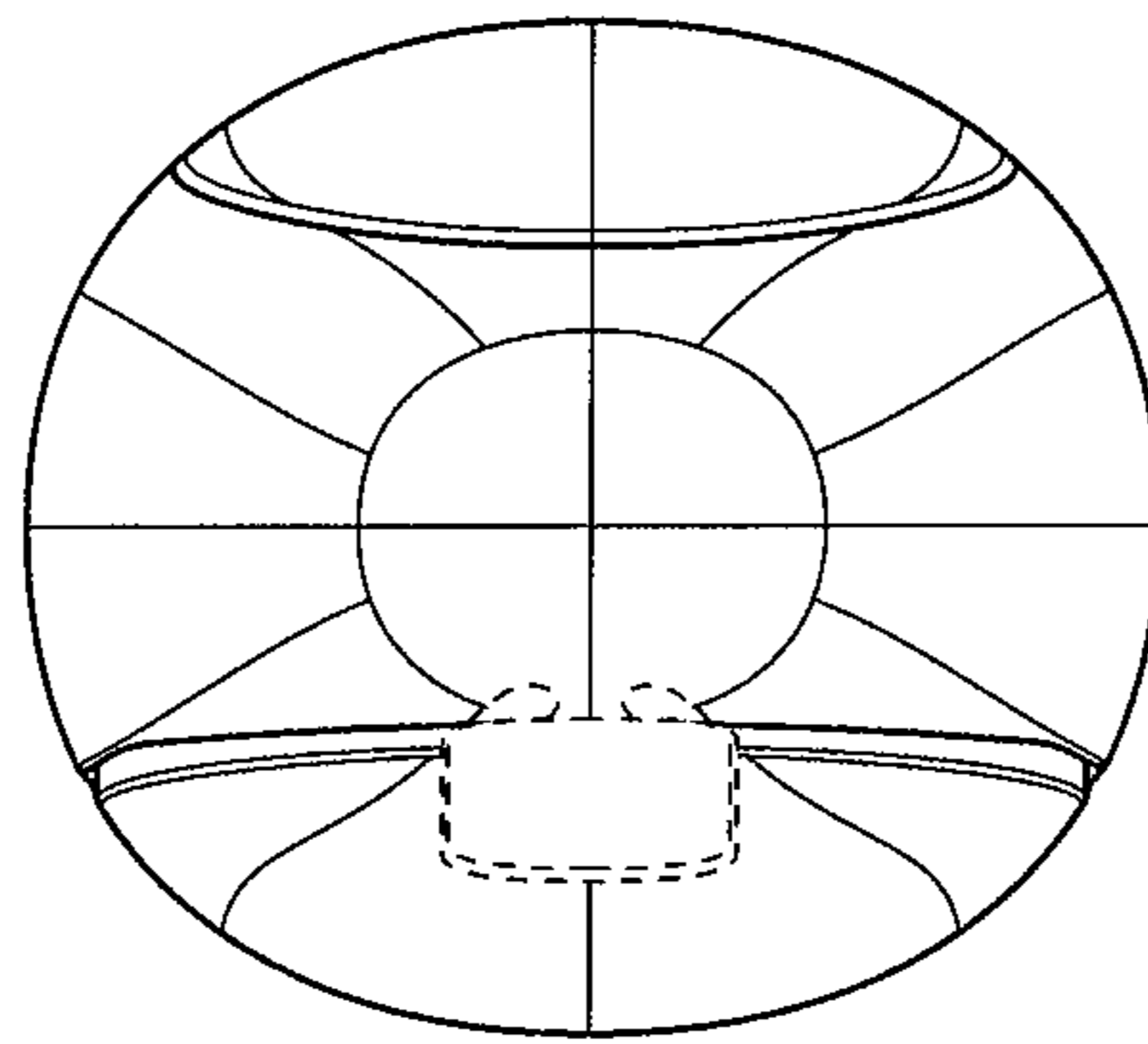
1.4



1.5



1.6



1.7

UNITED STATES PATENT AND TRADEMARK OFFICE
CERTIFICATE OF CORRECTION

PATENT NO. : D848,153 S
APPLICATION NO. : 35/503046
DATED : May 14, 2019
INVENTOR(S) : Fabio Marchetti and Stefano Deflorian

Page 1 of 1

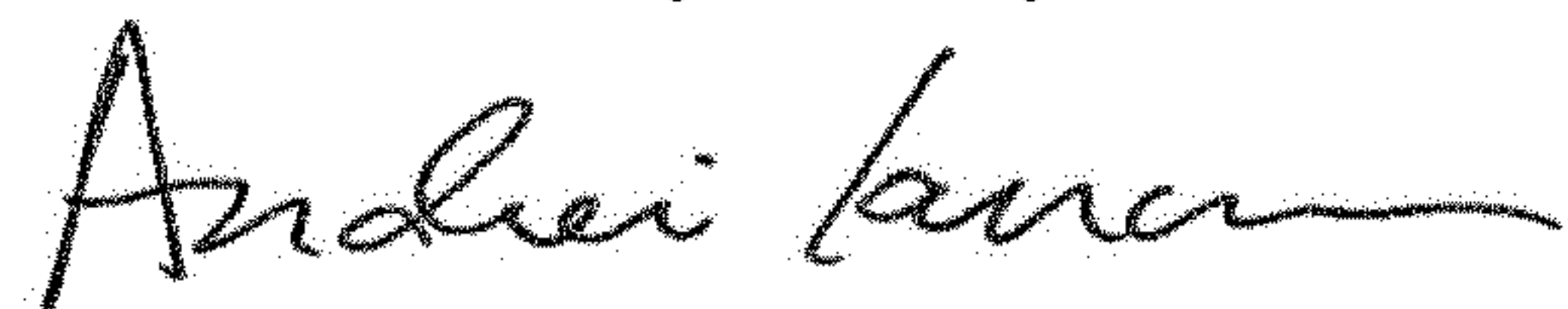
It is certified that error appears in the above-identified patent and that said Letters Patent is hereby corrected as shown below:

On the Title Page

Insert:

-- (30) Foreign Application Priority Date:
May 23, 2016 (ES) 0523399 --

Signed and Sealed this
Ninth Day of July, 2019



Andrei Iancu
Director of the United States Patent and Trademark Office