



US00D848152S

(12) **United States Design Patent** (10) **Patent No.:** **US D848,152 S**
Martínez Layseca et al. (45) **Date of Patent:** **** May 14, 2019**

- (54) **STACKABLE TRAY** D398,152 S * 9/1998 Kelly D3/304
- (71) Applicant: **PLÁSTICOS TÉCNICOS** D400,012 S * 10/1998 Apps D3/314
MEXICANOS, S.A. DE C.V., San Juan del Rio, Querétaro (MX) 5,823,376 A * 10/1998 McGrath B65D 1/243
220/516
- (72) Inventors: **Luis Joaquín Martínez Layseca**, D404,204 S * 1/1999 Apps D3/314
Queretaro (MX); **Juan Pedro Baca** 5,913,424 A * 6/1999 Kelly B65D 71/70
Sánchez, Queretaro (MX); **José** 206/509
Ricardo Peña Zapata, Queretaro (MX) D462,522 S * 9/2002 Apps D34/38
D487,634 S * 3/2004 Apps D3/313
6,892,885 B2 * 5/2005 Apps B65D 1/243
206/505
- (73) Assignee: **PLÁSTICOS TÉCNICOS** 7,322,475 B2 * 1/2008 Hassell B65D 1/243
MEXICANOS, S.A. DE C.V., San Juan del Rio (MX) 7,604,122 B2 * 10/2009 Apps B65D 1/243
206/515
D776,430 S * 1/2017 Chinni Vergottini D3/304
D781,148 S * 3/2017 Kemp D3/304

(**) Term: **15 Years**

* cited by examiner

(21) Appl. No.: **29/628,578**

Primary Examiner — Kelley A Donnelly

(22) Filed: **Dec. 6, 2017**

(74) *Attorney, Agent, or Firm* — Womble Bond Dickinson (US) LLP

(51) **LOC (11) Cl.** **03-01**

(52) **U.S. Cl.**

(57) **CLAIM**

USPC **D3/314**

The Ornamental Design for a stackable tray, substantially as shown and described.

(58) **Field of Classification Search**

DESCRIPTION

USPC D3/304, 307-309, 311-315; D7/354;
D9/424-425, 432, 456-457, 755-756
CPC B65D 71/00; B65D 71/0003; B65D 1/00;
B65D 19/00; B65D 19/18; B65D 21/00;
B65D 21/02; B65D 21/0201

FIG. 1 is a top perspective view of a stackable tray in accordance with the present invention;
FIG. 2 is a front view thereof;
FIG. 3 is a rear view thereof;
FIG. 4 is a top view thereof;
FIG. 5 is a bottom view thereof;
FIG. 6 is a right side view thereof; and,
FIG. 7 is a left side view thereof.

See application file for complete search history.

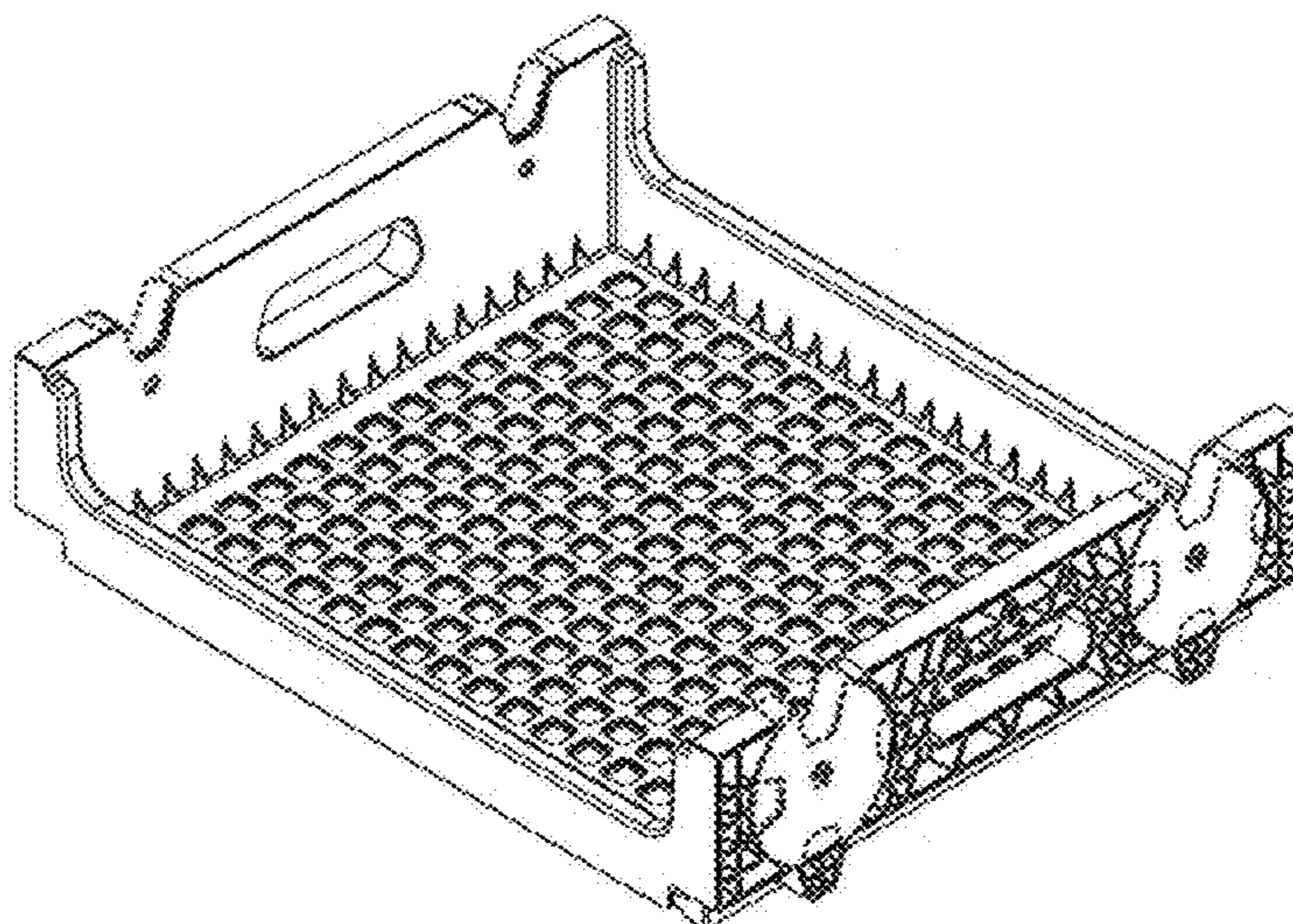
The broken lines shown herein depict environmental subject matter only and form no part of the claimed design.

(56) **References Cited**

U.S. PATENT DOCUMENTS

- 5,285,899 A * 2/1994 Apps B65D 71/70
206/427
- D356,211 S * 3/1995 Apps D3/304
- 5,495,945 A * 3/1996 Apps B65D 21/0233
206/519

1 Claim, 5 Drawing Sheets



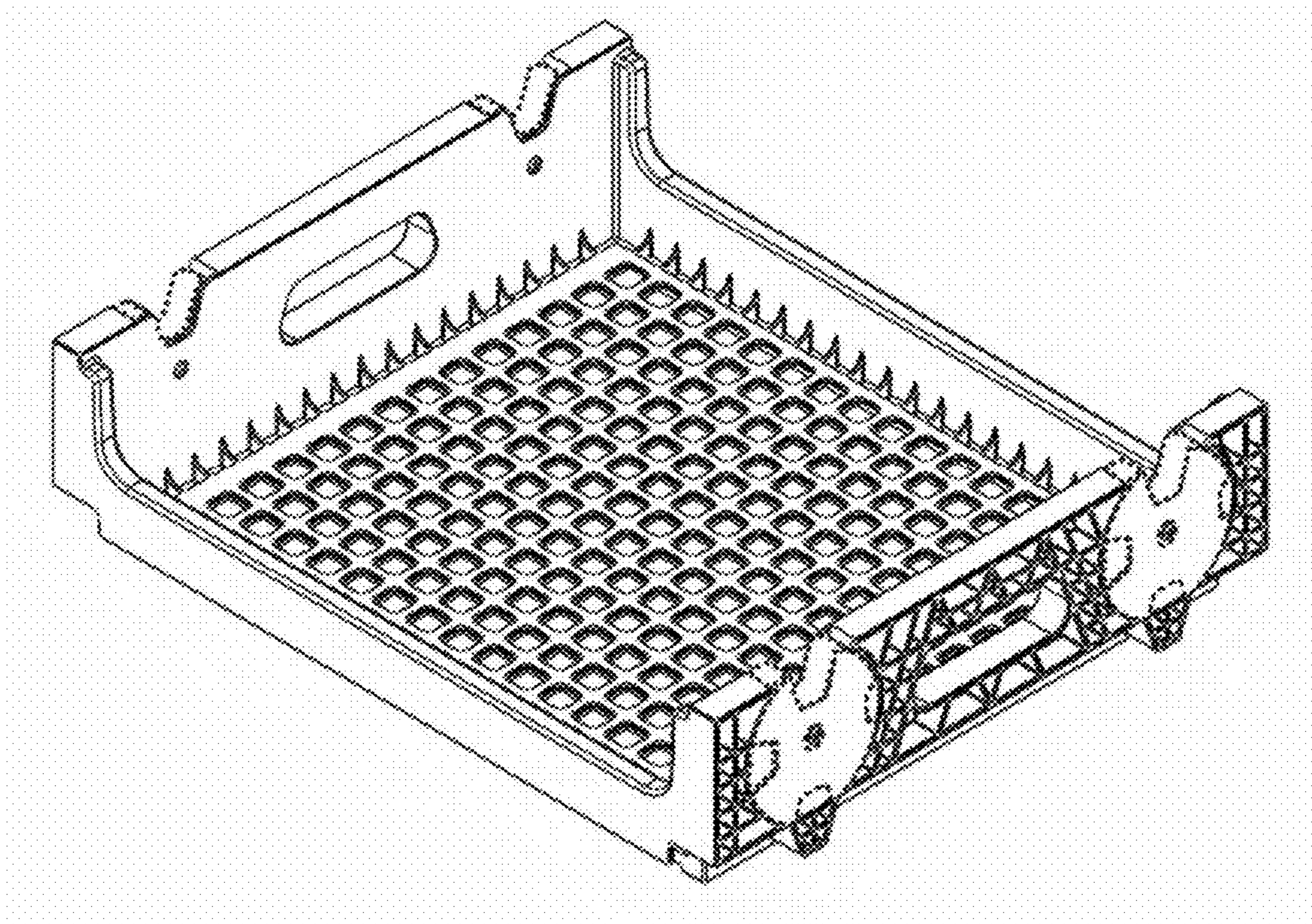


FIG. 1

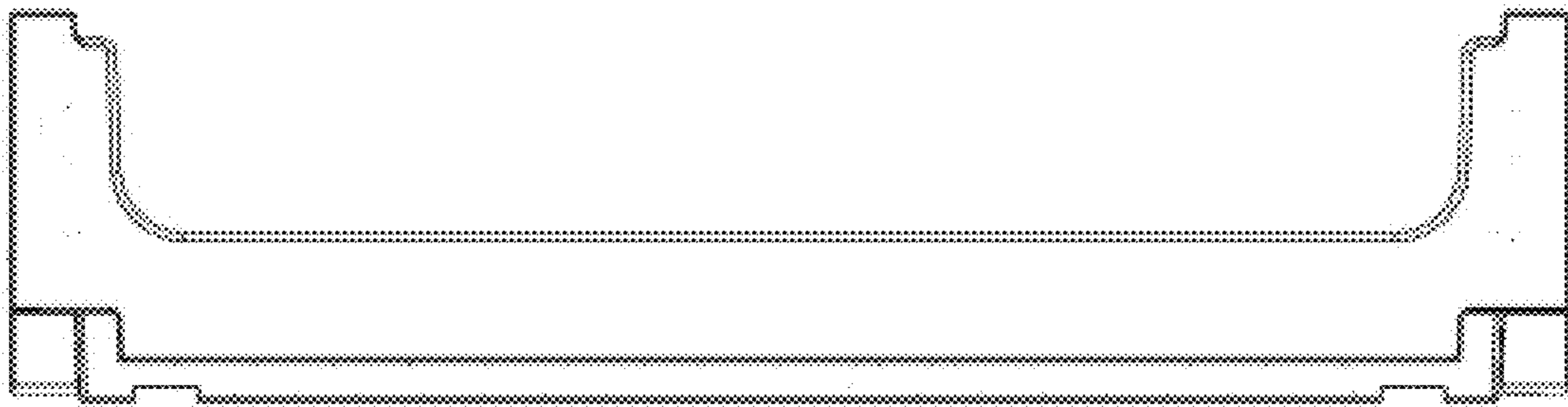


FIG. 2



FIG. 3

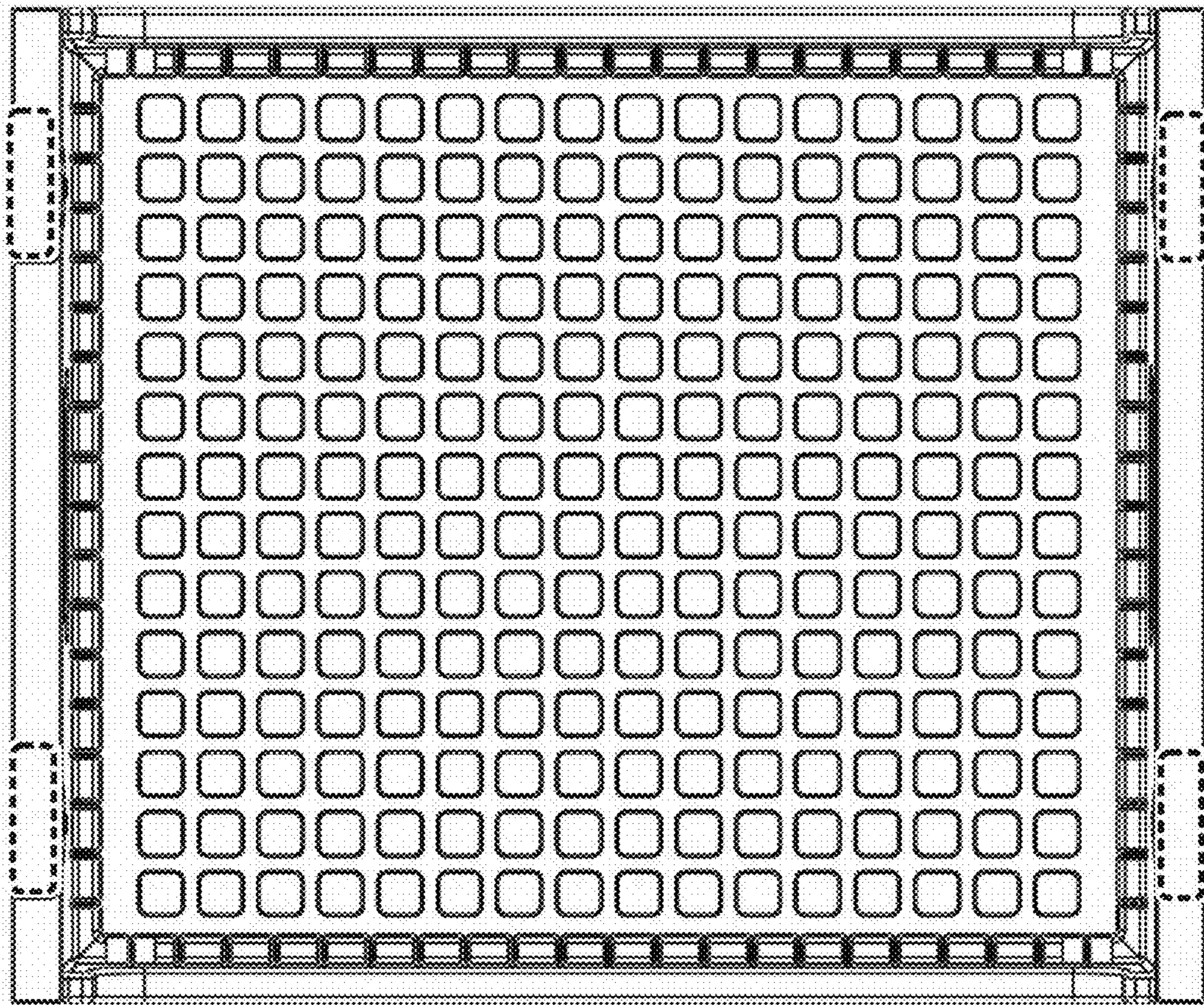


FIG. 4

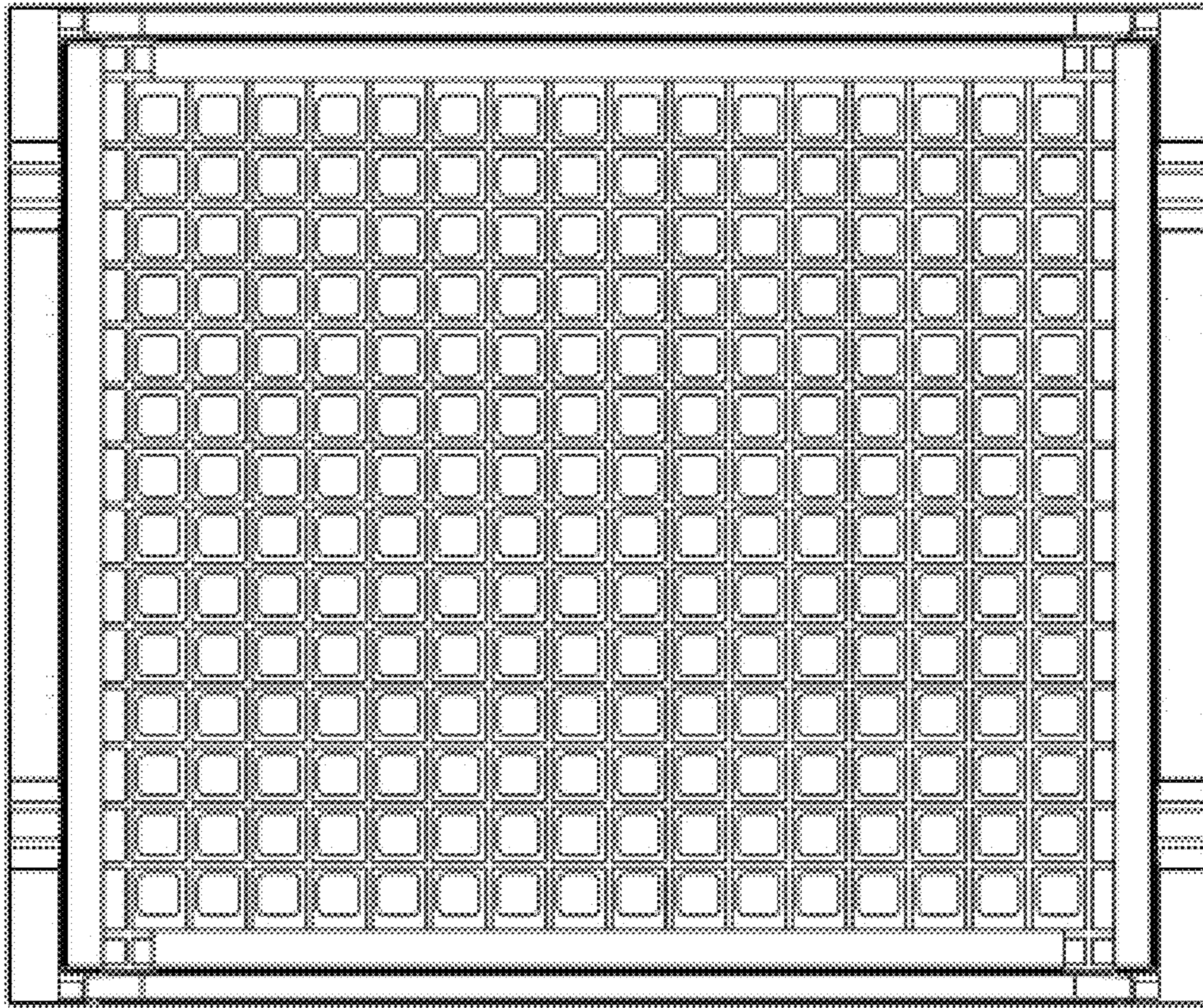


FIG. 5

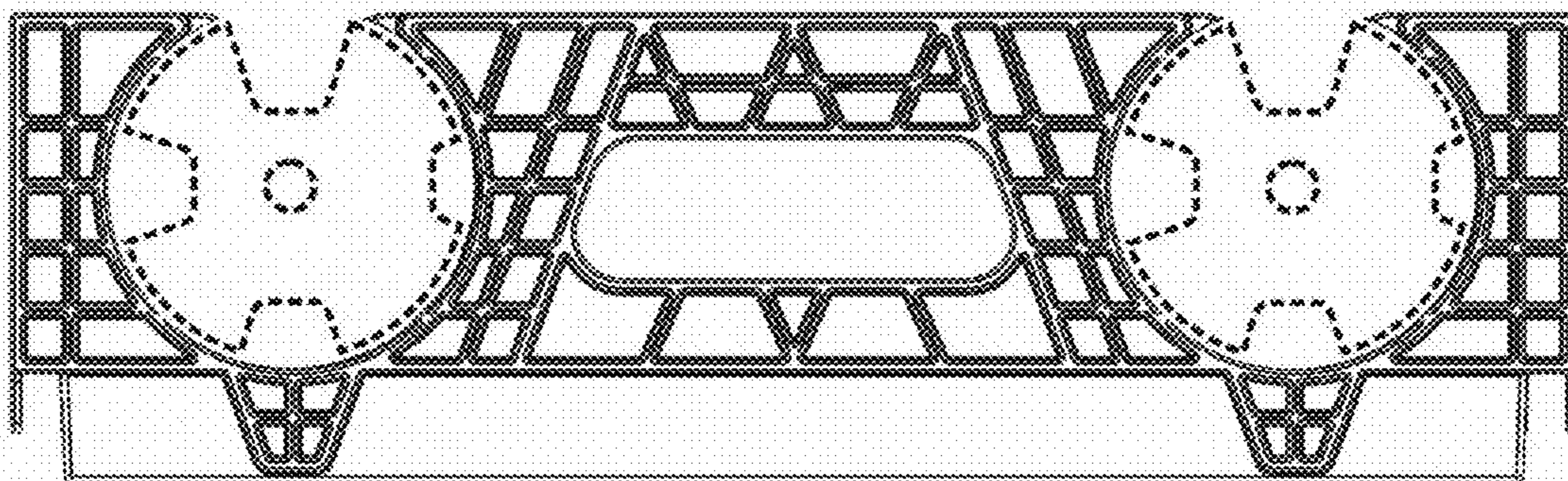


FIG. 6

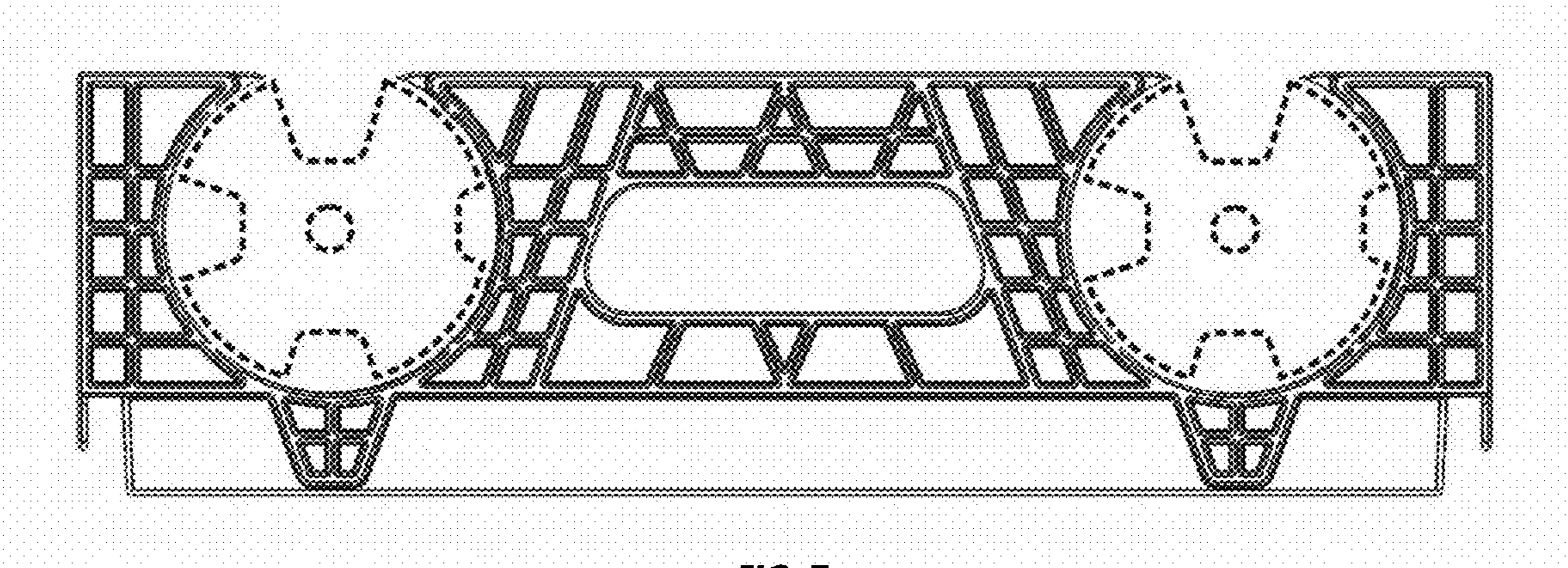


FIG. 7