



US00D848151S

(12) **United States Design Patent** (10) **Patent No.:** **US D848,151 S**
Greenwood (45) **Date of Patent:** **** May 14, 2019**

- (54) **TRAY WITH DIVIDER**
- (71) Applicant: **YouCopia Products Inc**, Chicago, IL (US)
- (72) Inventor: **Mark Greenwood**, Arlington Hts., IL (US)
- (73) Assignee: **YouCopia Products Inc.**, Chicago, IL (US)
- (**) Term: **15 Years**
- (21) Appl. No.: **29/639,940**
- (22) Filed: **Mar. 9, 2018**
- (51) **LOC (11) Cl.** **03-01**
- (52) **U.S. Cl.**
USPC **D3/313**
- (58) **Field of Classification Search**
USPC D3/304, 313, 314, 318-319;
D7/637-638; D8/71
CPC A47G 21/14; A45F 2200/05; A45F
2200/0575; B25H 3/006
See application file for complete search history.

- (56) **References Cited**
U.S. PATENT DOCUMENTS
- D219,263 S * 11/1970 Castelli et al. D7/546
- D224,554 S * 8/1972 Swett 220/529
- D232,302 S * 8/1974 Lazure D9/761
- 4,346,813 A * 8/1982 Cho B65D 25/04
220/532
- 4,574,174 A * 3/1986 McGonigle B65D 81/3453
206/541
- D283,666 S * 5/1986 Holzkopf D7/357
- 5,419,451 A * 5/1995 Bitel, Jr. B65D 1/36
206/508
- D367,172 S * 2/1996 Brightbill D3/310
- D372,170 S * 7/1996 Ahern, Jr. D7/543

- 5,624,051 A * 4/1997 Ahern, Jr. B65D 1/36
220/281
- D380,299 S * 7/1997 Schlaeger D3/310
- D387,559 S * 12/1997 Williamson D3/313
- D466,758 S * 12/2002 Bradley 220/23.8
- D510,684 S * 10/2005 Crosby D3/313
- D512,836 S * 12/2005 Marnell, II D3/313
- D530,625 S * 10/2006 Darin D9/761
- D537,633 S * 3/2007 Marnell, II D3/313
- D563,673 S * 3/2008 Dretzka D3/304
- D649,838 S * 12/2011 Stamper D7/602
- D676,070 S * 2/2013 Hammer D15/136
- D710,061 S * 7/2014 Scherrer D32/3

(Continued)

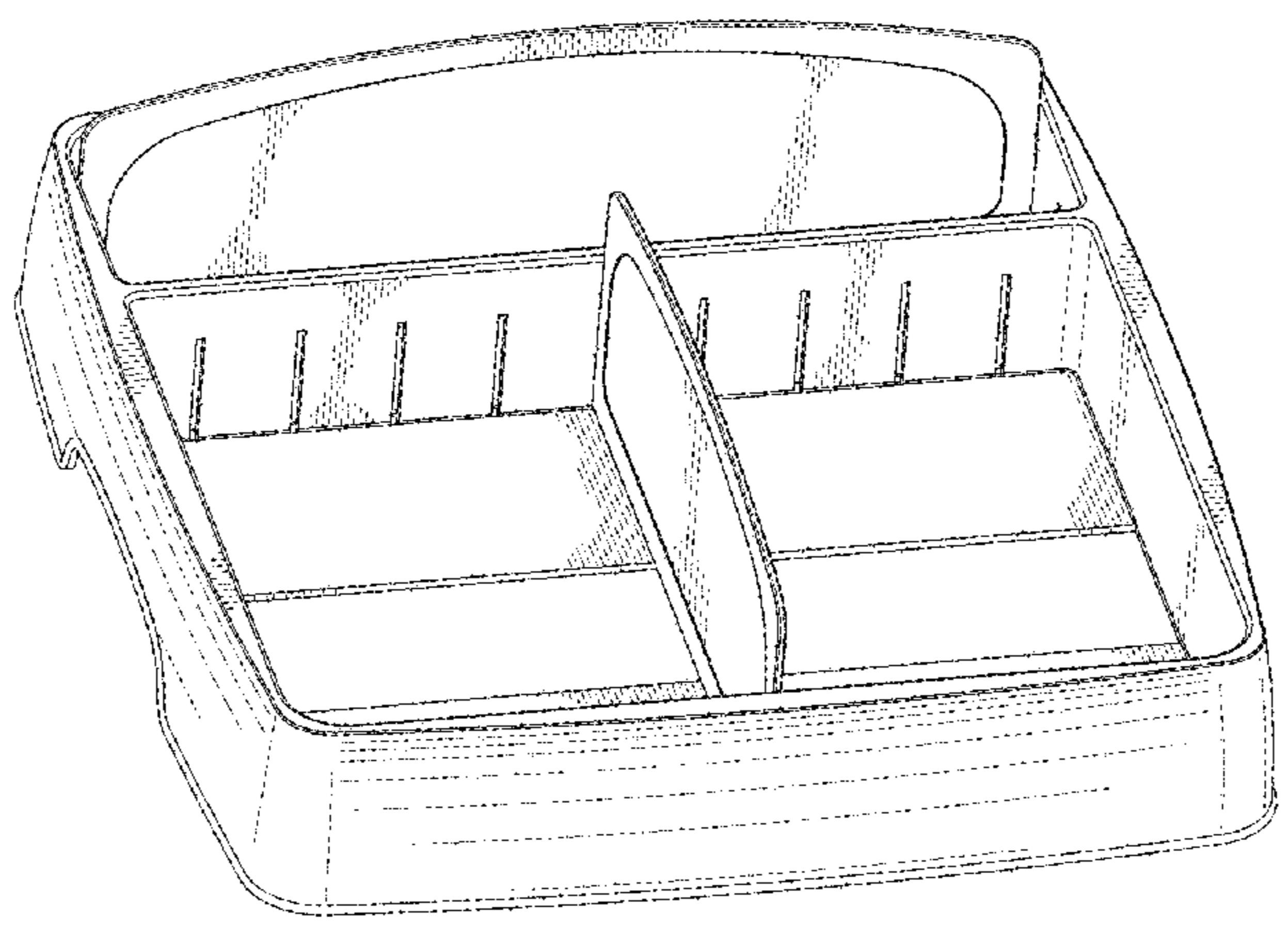
Primary Examiner — Kelley A Donnelly
(74) *Attorney, Agent, or Firm* — Lowe Graham Jones PLLC

(57) **CLAIM**
I claim the ornamental design for a tray with divider, as shown and described.

DESCRIPTION

FIG. 1 is a top perspective view of a tray with divider, showing my new design.
FIG. 2 is a bottom perspective view of the tray with divider.
FIG. 3 is a front elevational view of the tray with divider, the rear view being a mirror image.
FIG. 4 is a right side elevational view of the tray with divider.
FIG. 5 is a left side elevational view of the tray with divider.
FIG. 6 is a top plan view of the tray with divider.
FIG. 7 is a bottom plan view of the tray with divider.
FIG. 8 is a top perspective exploded view of the lid with divider.
FIG. 9 is a front elevational exploded view of the lid with divider, the rear view being a mirror image; and,
FIG. 10 is a right side elevational exploded view of the lid with divider, the left side being a mirror image.

1 Claim, 10 Drawing Sheets



(56)

References Cited

U.S. PATENT DOCUMENTS

9,386,865 B2 * 7/2016 Bally A47F 3/14
D792,222 S * 7/2017 Sill D9/456
D802,928 S * 11/2017 Serimian D3/313
D824,171 S * 7/2018 Brunner D3/313

* cited by examiner

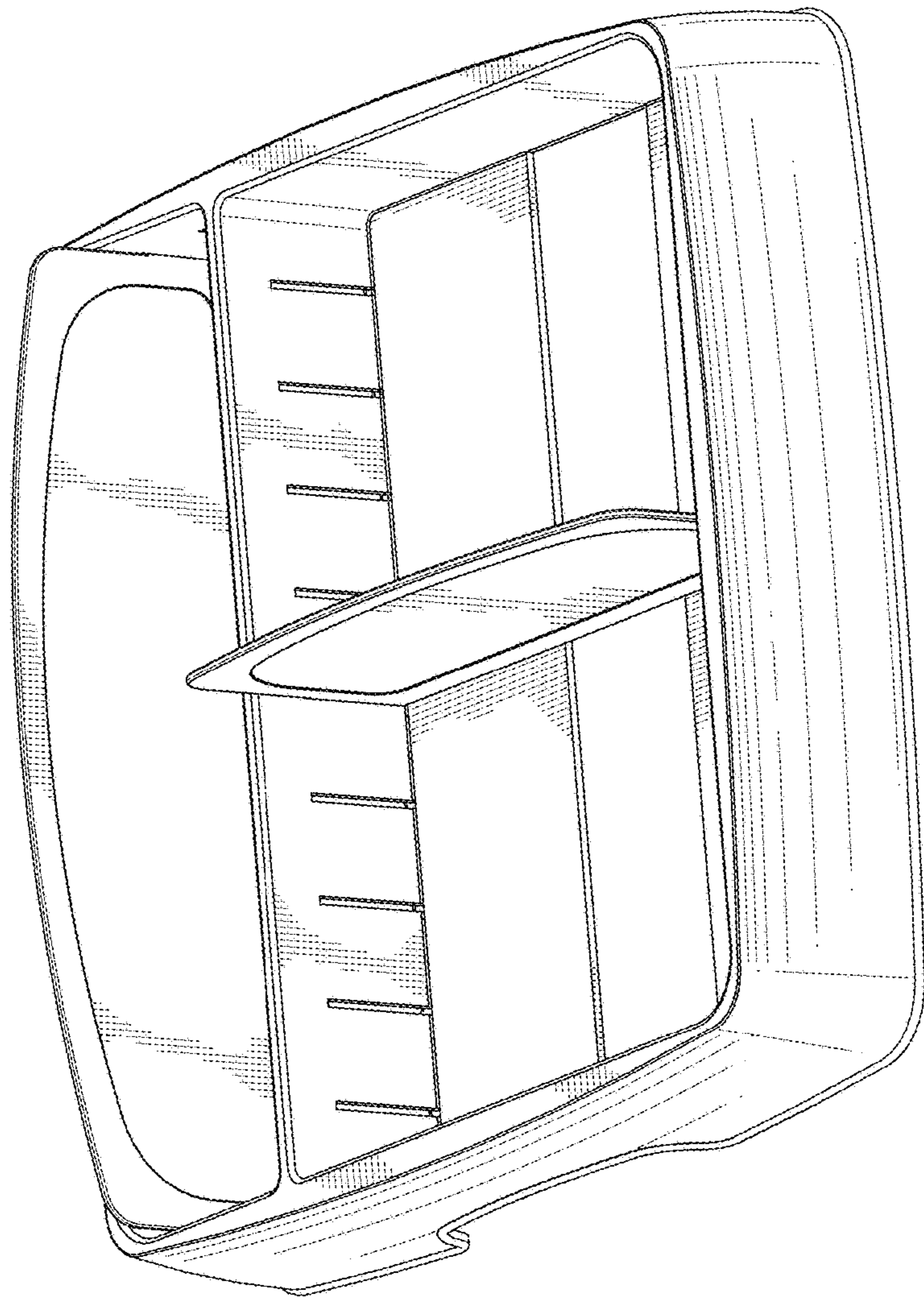


FIG. 1

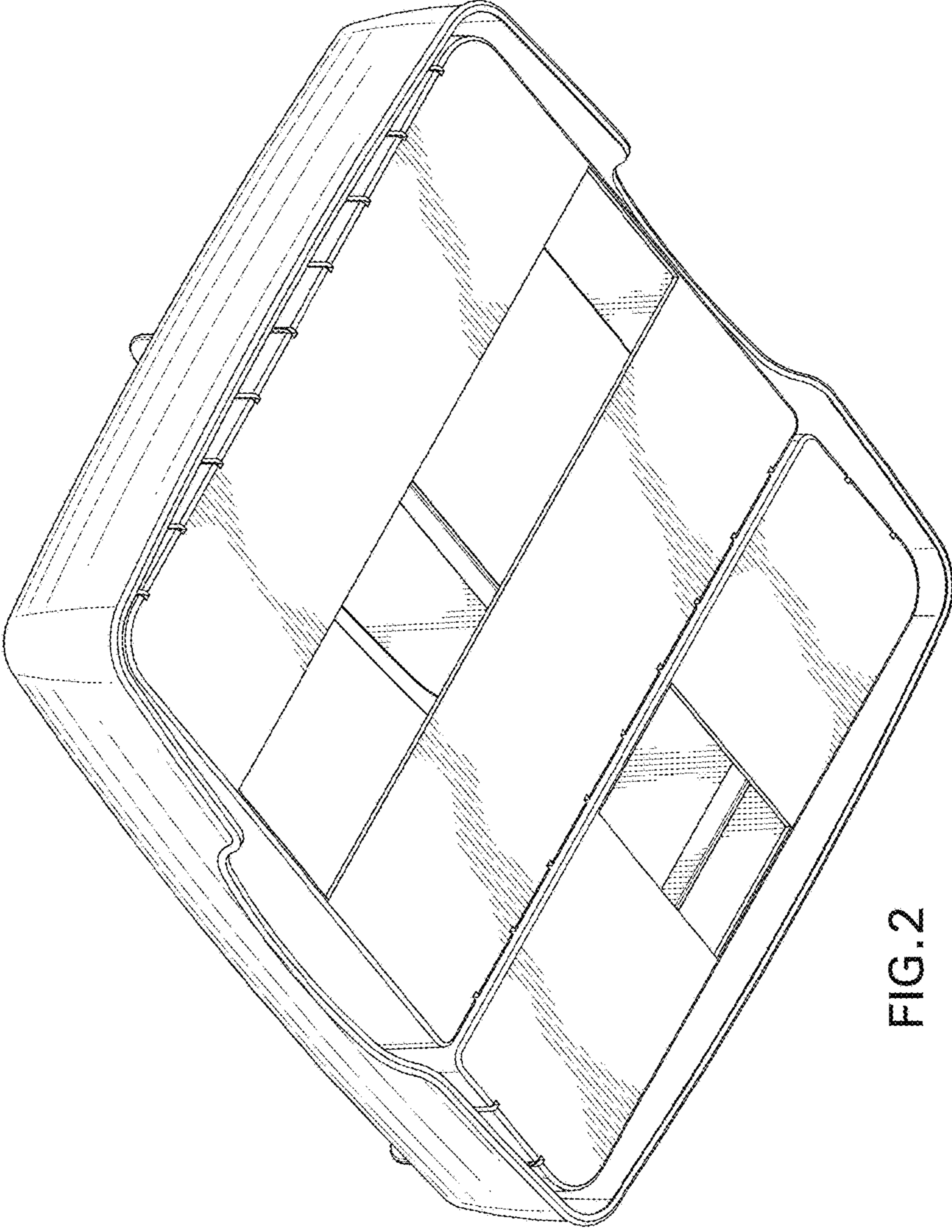


FIG. 2

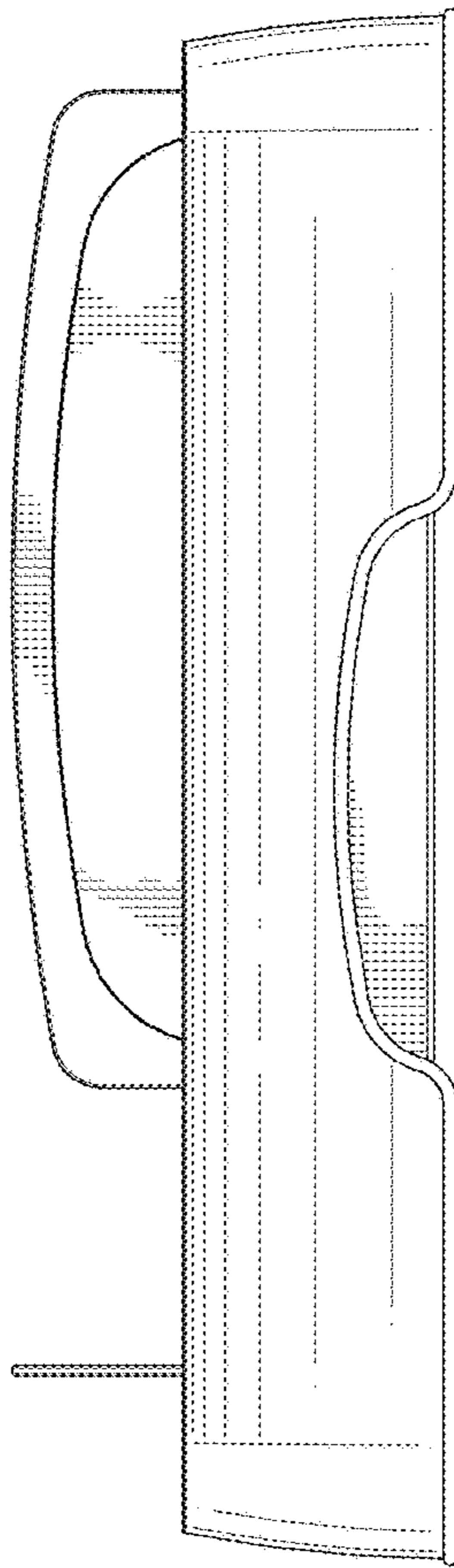


FIG. 3

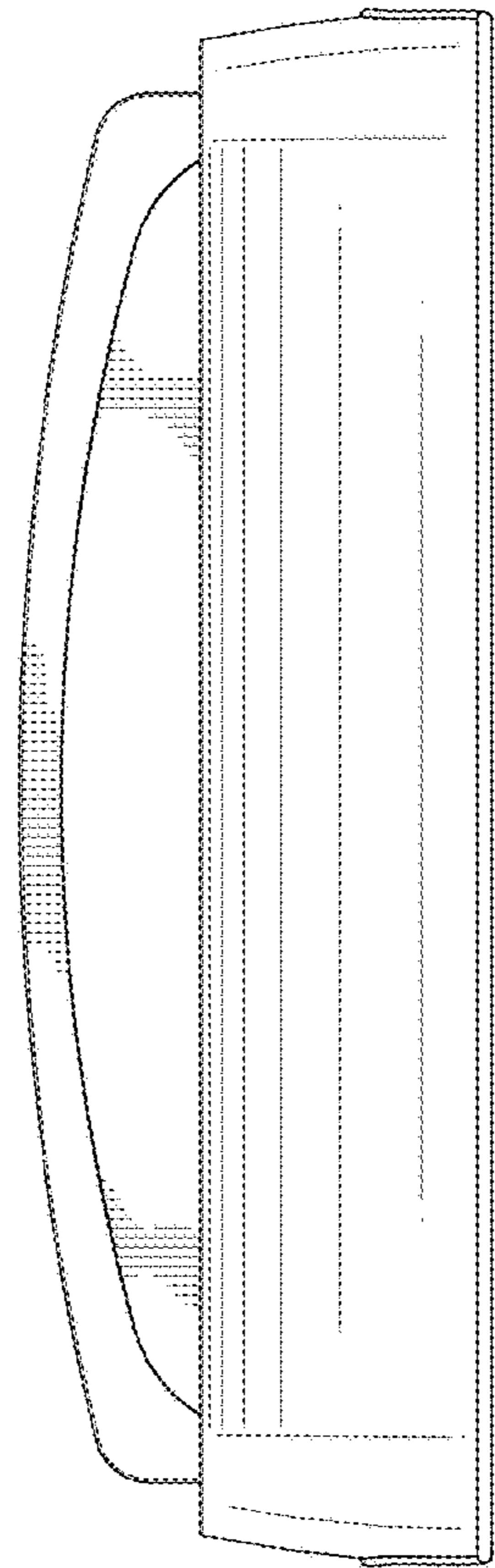


FIG.4

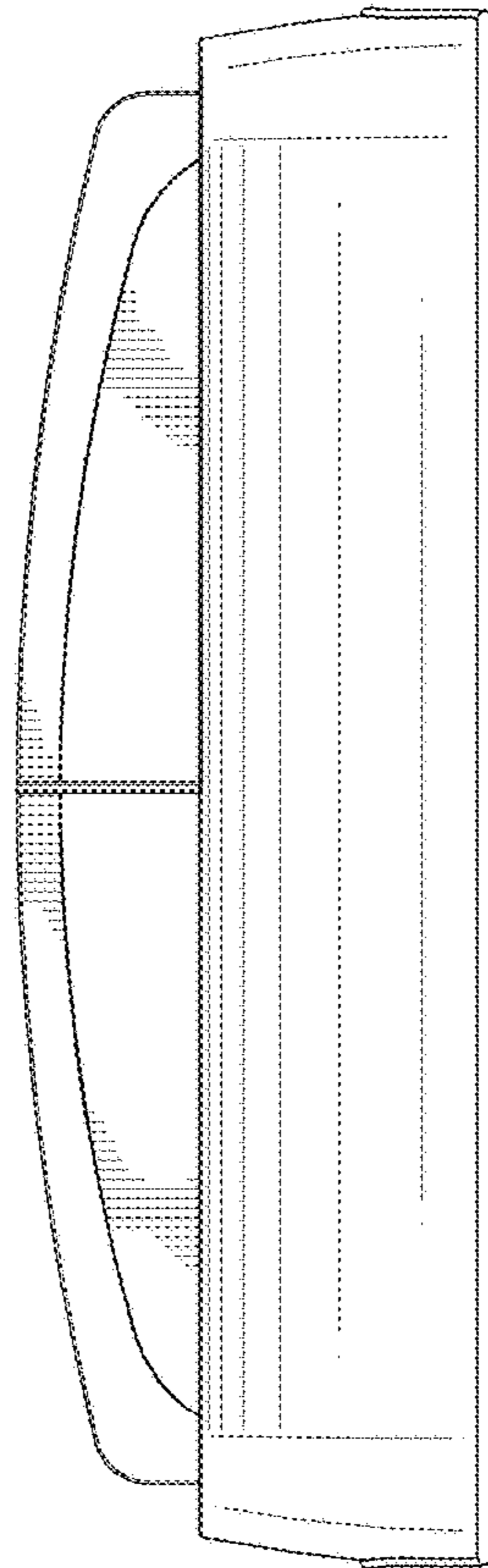


FIG. 5

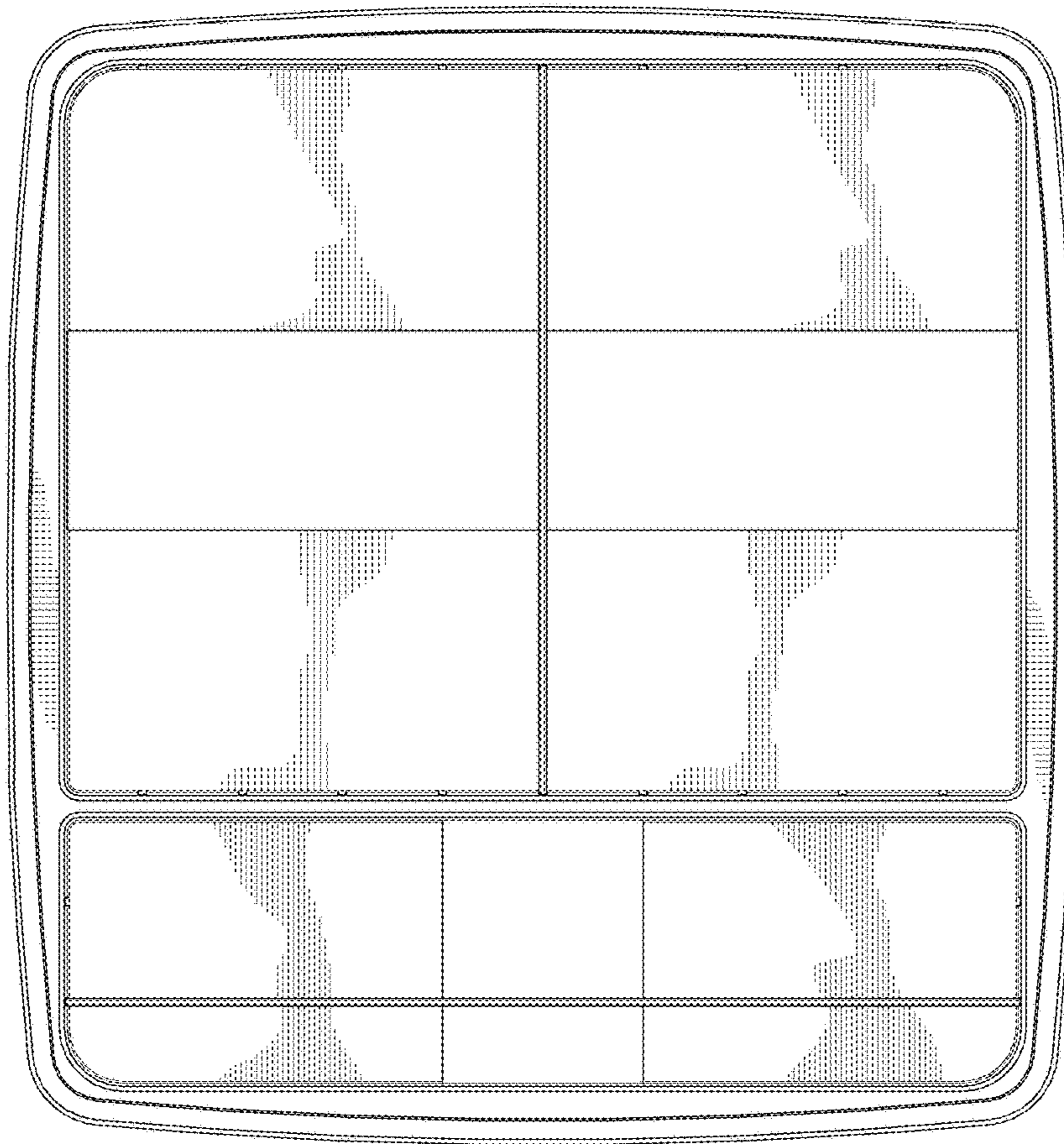


FIG. 6

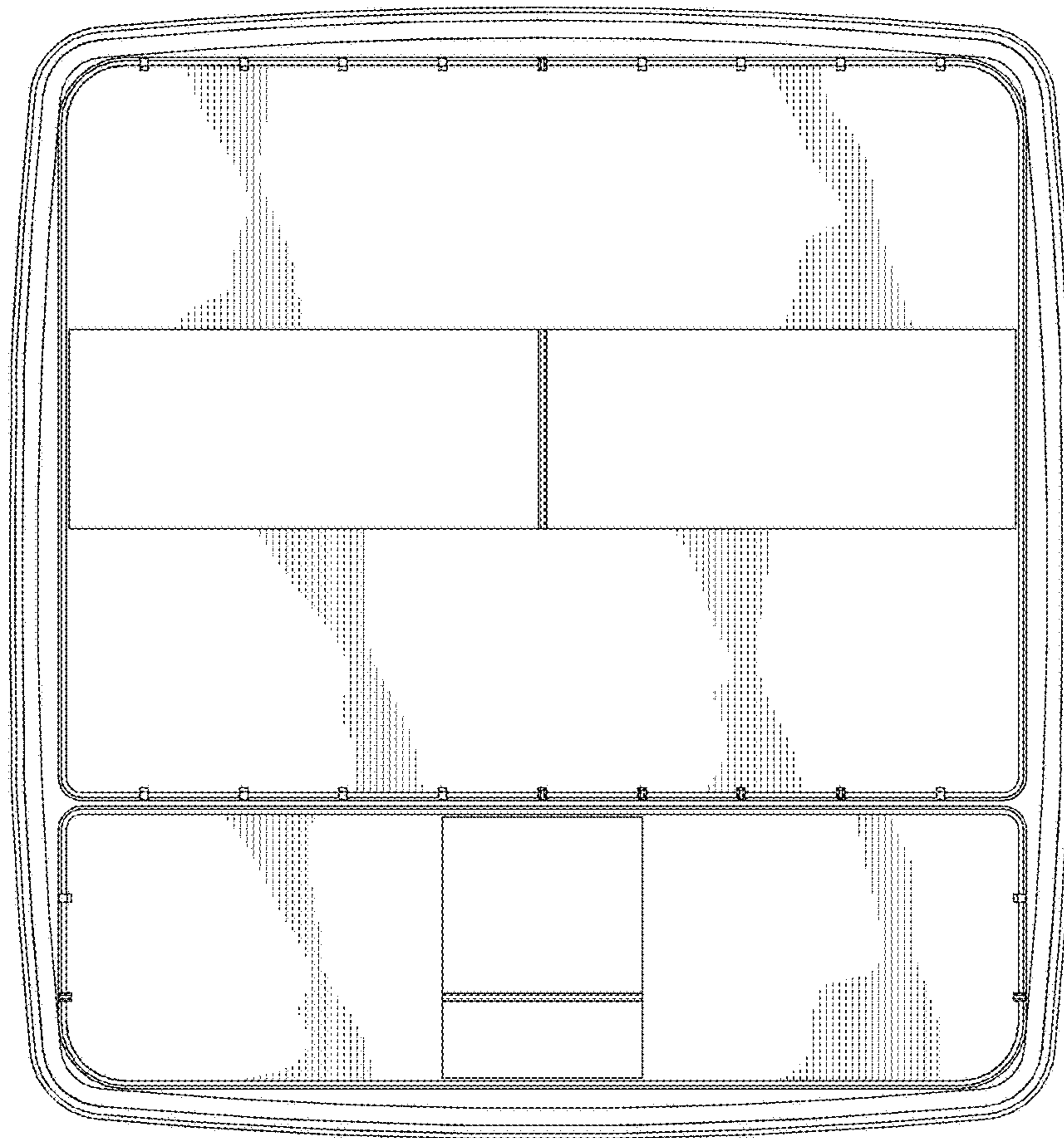


FIG. 7

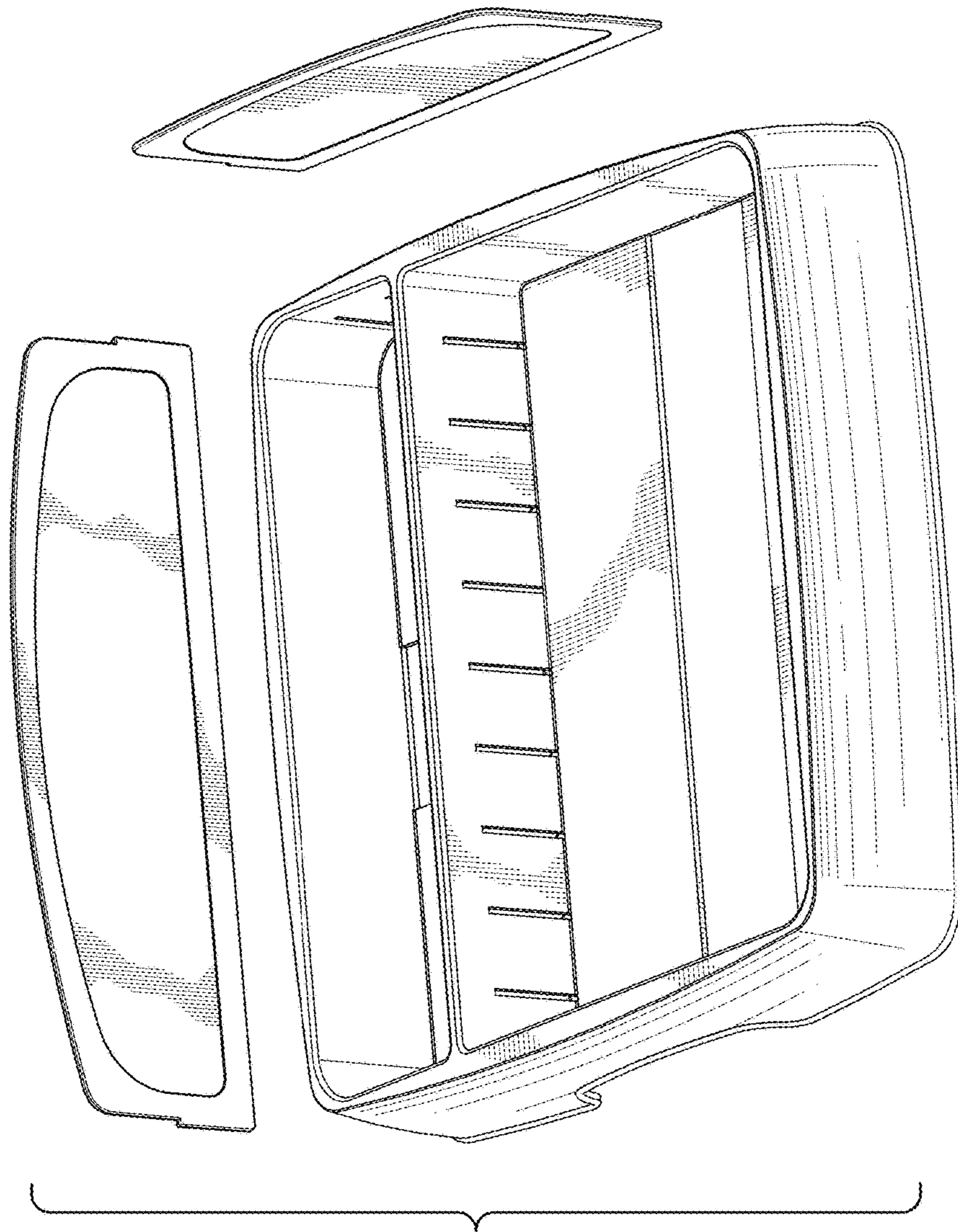


FIG. 8

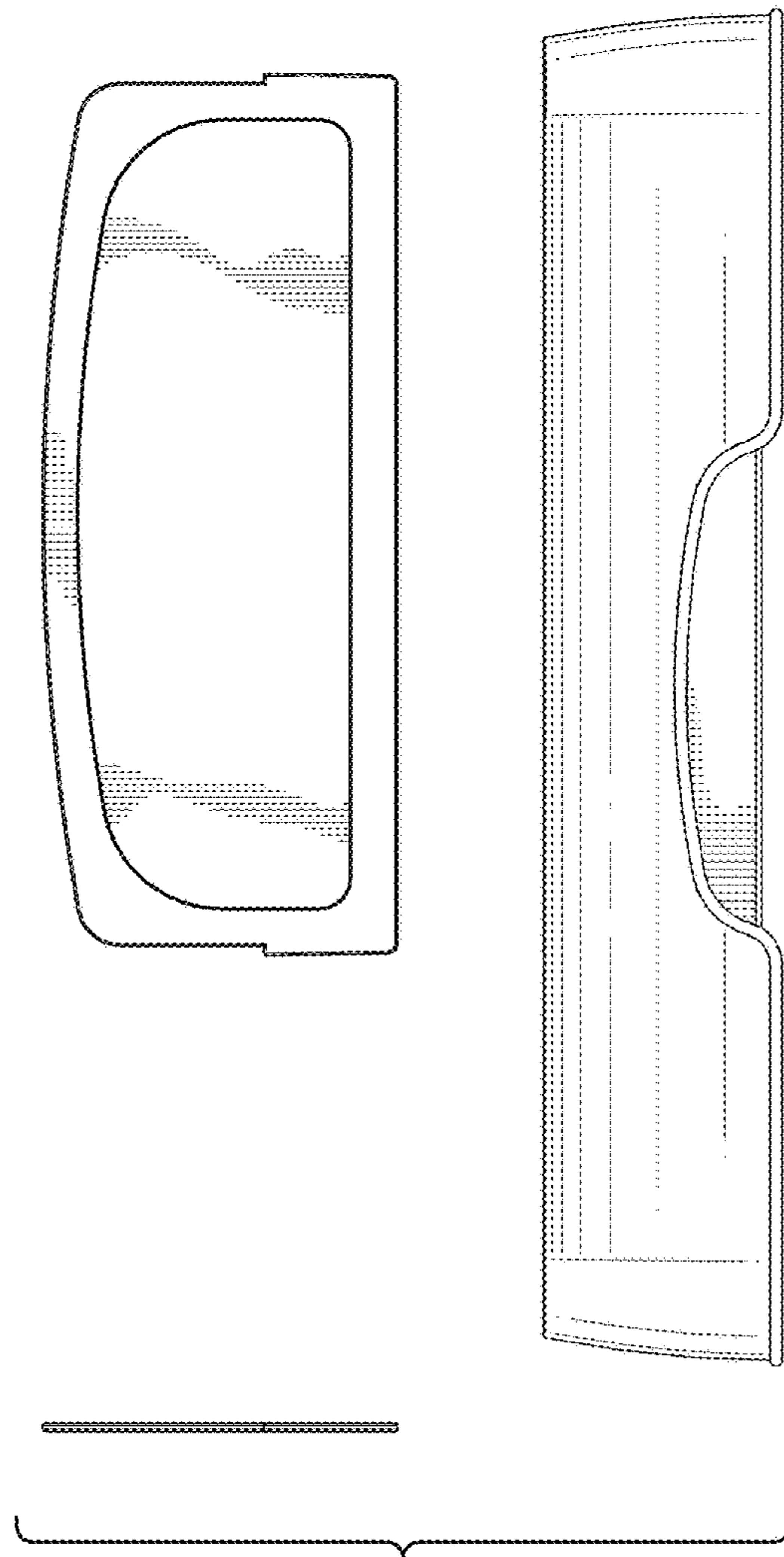


FIG. 9

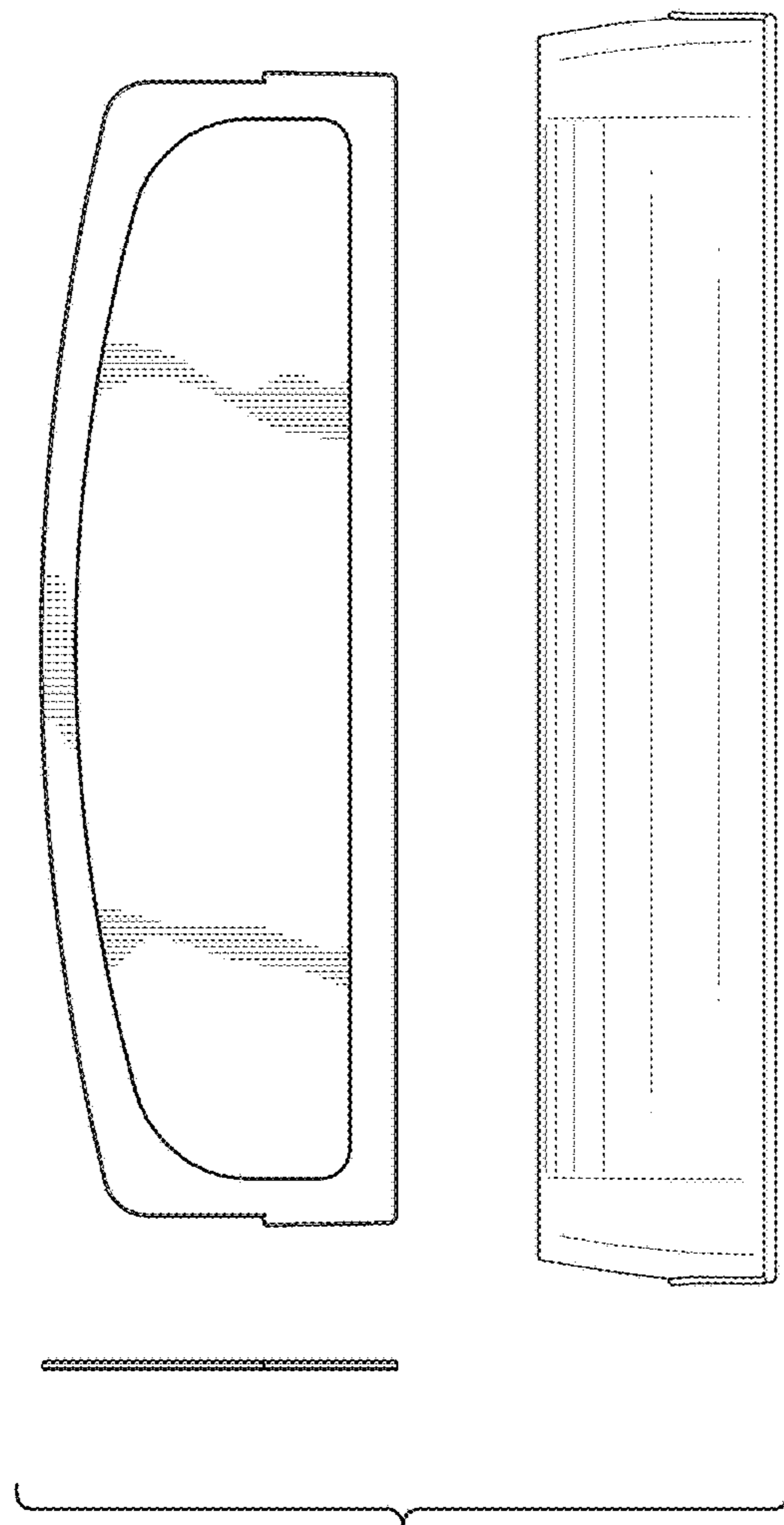


FIG.10