



US00D848150S

(12) **United States Design Patent** (10) **Patent No.:** **US D848,150 S**
Goodman et al. (45) **Date of Patent:** **** May 14, 2019**

(54) **BOWL**
(71) Applicant: **Spectrum Diversified Designs, LLC**,
Streetsboro, OH (US)
(72) Inventors: **Aaron Goodman**, Beachwood, OH
(US); **Courtney Wilson**, Chardon, OH
(US)
(73) Assignee: **SPECTRUM DIVERSIFIED
DESIGNS, LLC**, Streetsboro, OH (US)
(**) Term: **15 Years**

D669,686 S * 10/2012 Waggoner D3/306
D747,158 S * 1/2016 Goodman D7/631
D751,186 S * 3/2016 Romzek D23/410
D758,732 S * 6/2016 Goodman D3/306
D784,087 S * 4/2017 Goodman D7/601
D784,088 S * 4/2017 Goodman D7/601
D784,697 S * 4/2017 Goodman D3/306
D784,700 S * 4/2017 Goodman D3/306
D793,087 S * 8/2017 Goodman D3/306
D810,438 S * 2/2018 Romzek D3/306
D814,189 S * 4/2018 Nimgulkar D3/306
D817,721 S * 5/2018 Wilson D7/601
D818,777 S * 5/2018 Goodman D7/601
D833,223 S * 11/2018 Wilson D7/500
D833,830 S * 11/2018 Goodman D7/601

* cited by examiner

(21) Appl. No.: **29/637,967**
(22) Filed: **Feb. 23, 2018**
(51) **LOC (11) Cl.** **03-01**
(52) **U.S. Cl.**
USPC **D3/306**
(58) **Field of Classification Search**
USPC D3/201, 304, 306-309, 314, 315;
D9/429; D7/600, 600.1, 601, 602, 396.1,
D7/397
CPC . B65D 21/0211; B65D 21/0233; A47B 77/14;
A47B 73/002; A47B 81/007
See application file for complete search history.

Primary Examiner — Kelley A Donnelly
(74) *Attorney, Agent, or Firm* — Tucker Ellis LLP

(57) **CLAIM**

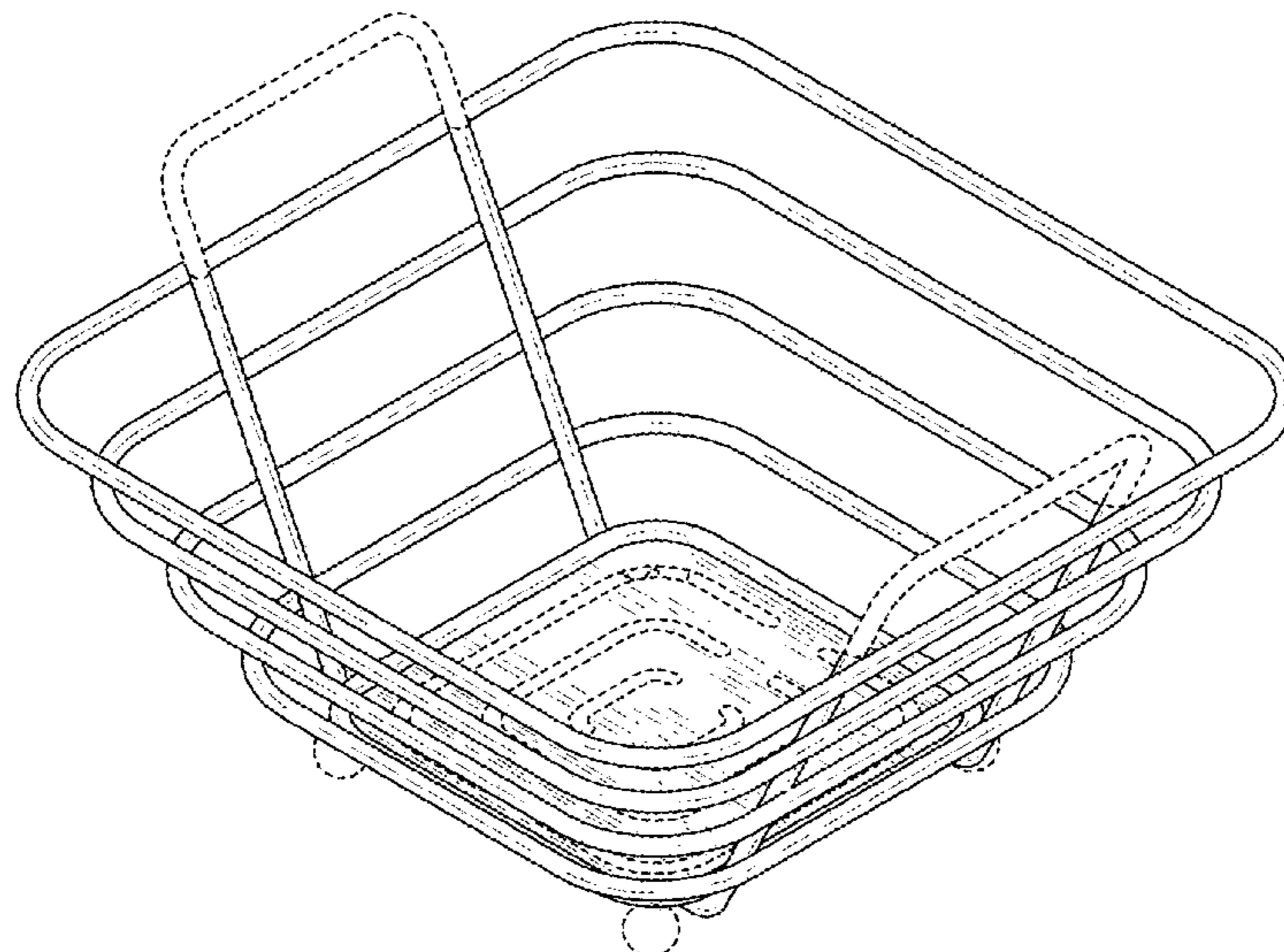
The ornamental design for a bowl, as shown and described.

DESCRIPTION

FIG. 1 is a perspective view of a bowl showing our new design.
FIG. 2 is a front view thereof.
FIG. 3 is a rear view thereof.
FIG. 4 is a right side view thereof.
FIG. 5 is a left side view thereof.
FIG. 6 is a top view thereof.
FIG. 7 is a bottom view thereof; and,
FIG. 8 is a perspective view of another bowl.
The broken lines shown herein are for illustrative purposes only and form no part of the claimed design.

(56) **References Cited**
U.S. PATENT DOCUMENTS
D296,601 S * 7/1988 Chap D3/306
D477,144 S * 7/2003 Remmers D3/306
D584,572 S 1/2009 Goodman et al.
D629,656 S * 12/2010 Goodman D7/601
D650,175 S * 12/2011 Lee D3/306

1 Claim, 5 Drawing Sheets



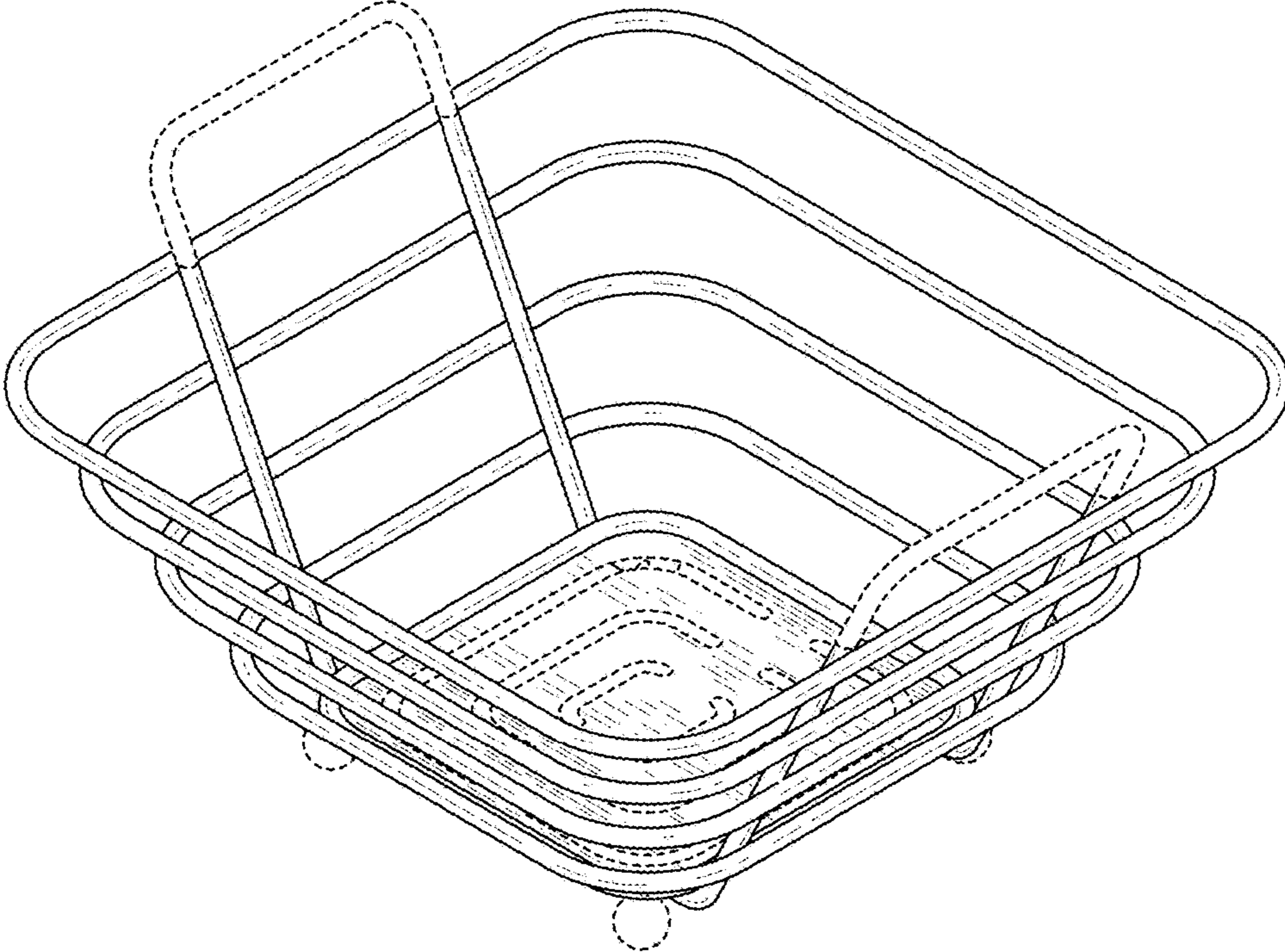


FIG. 1

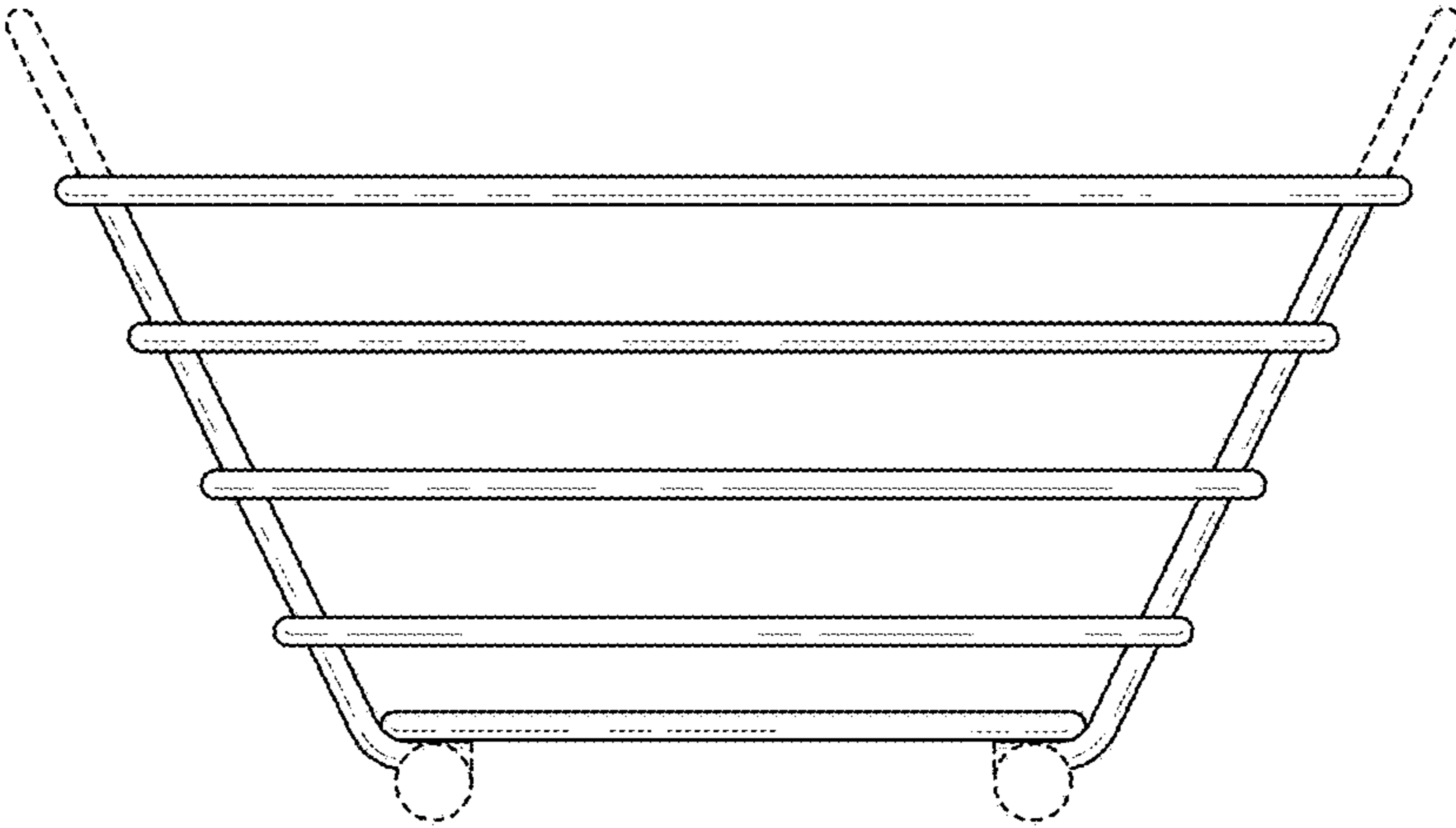


FIG. 2

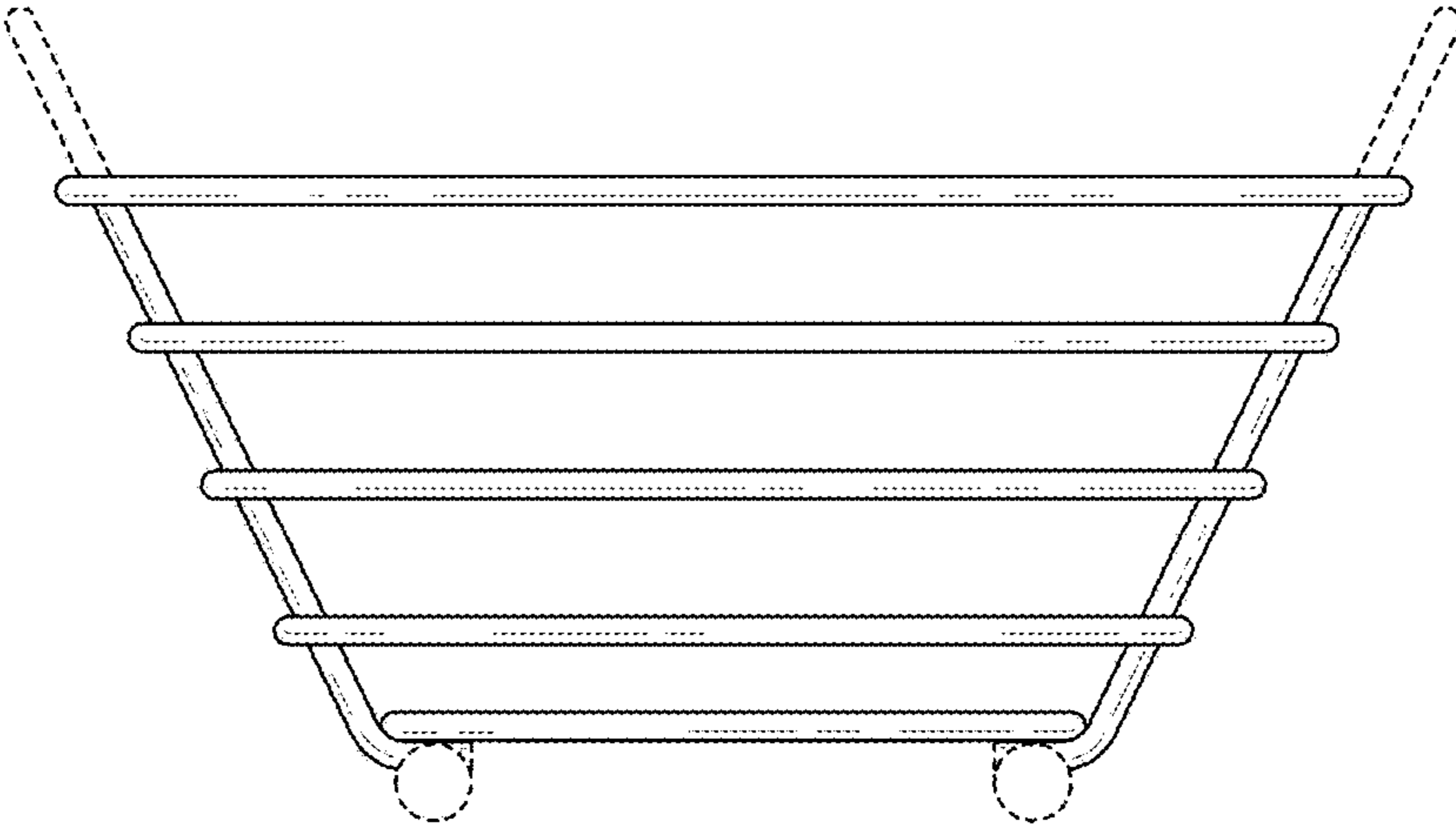


FIG. 3

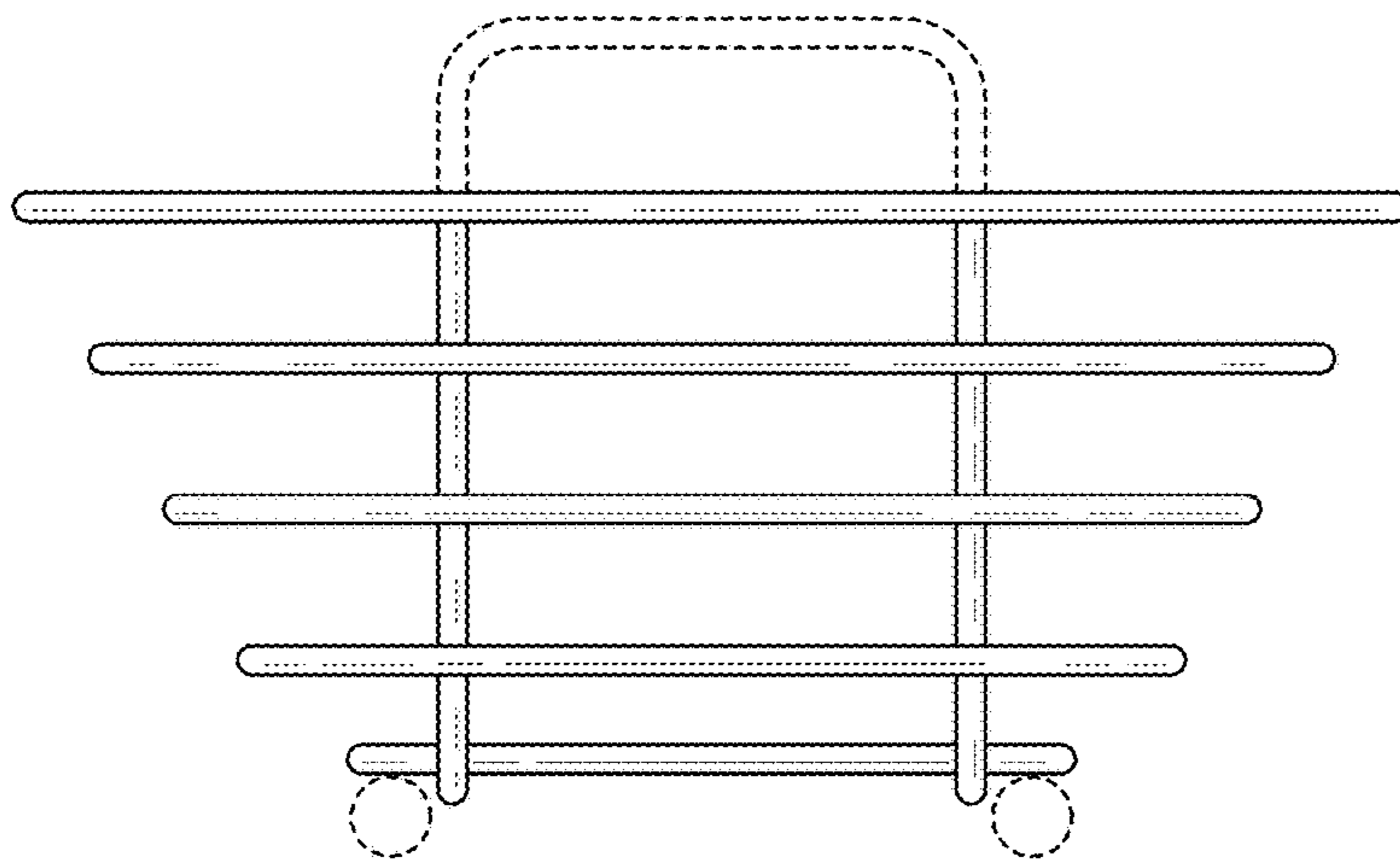


FIG. 4

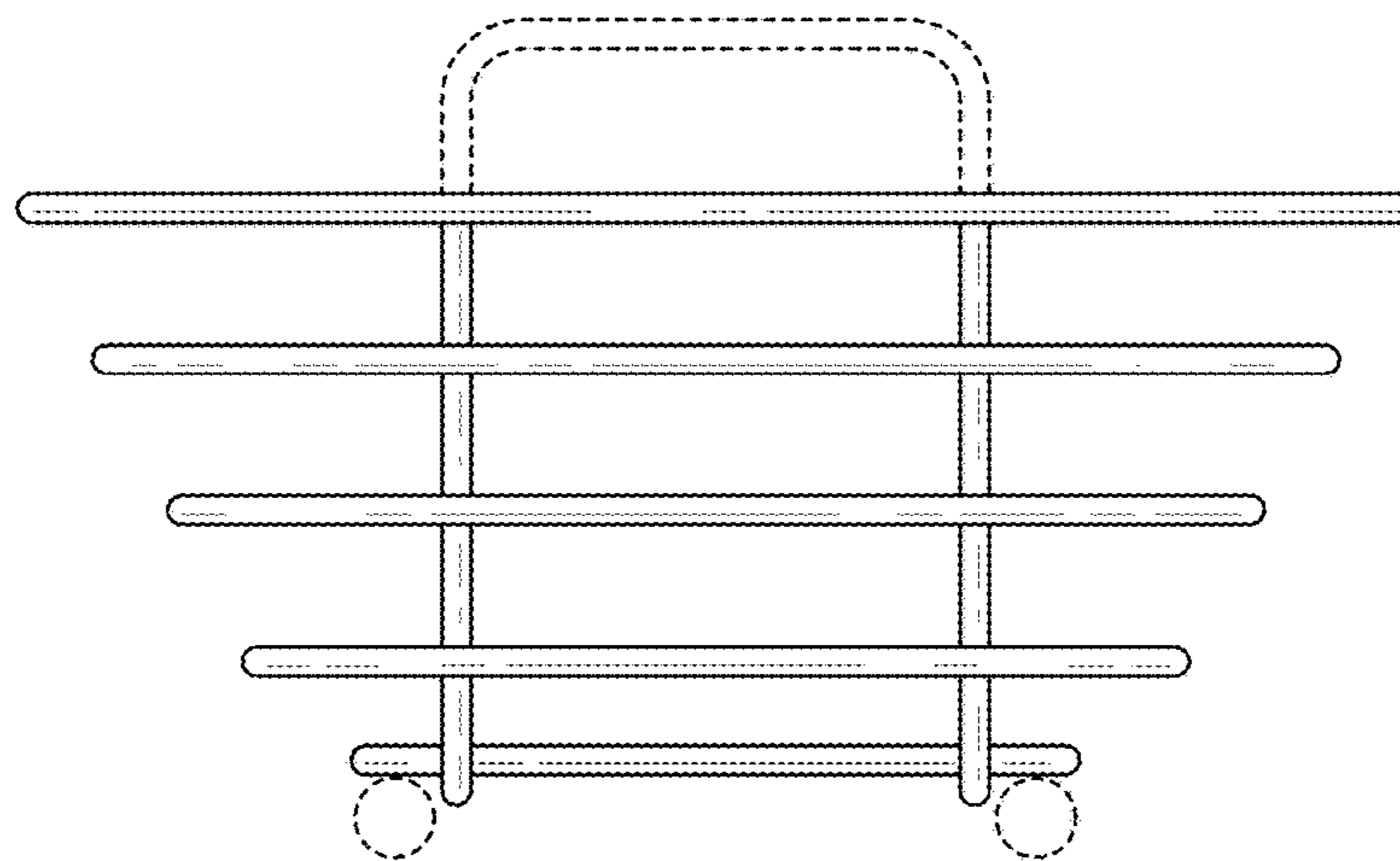


FIG. 5

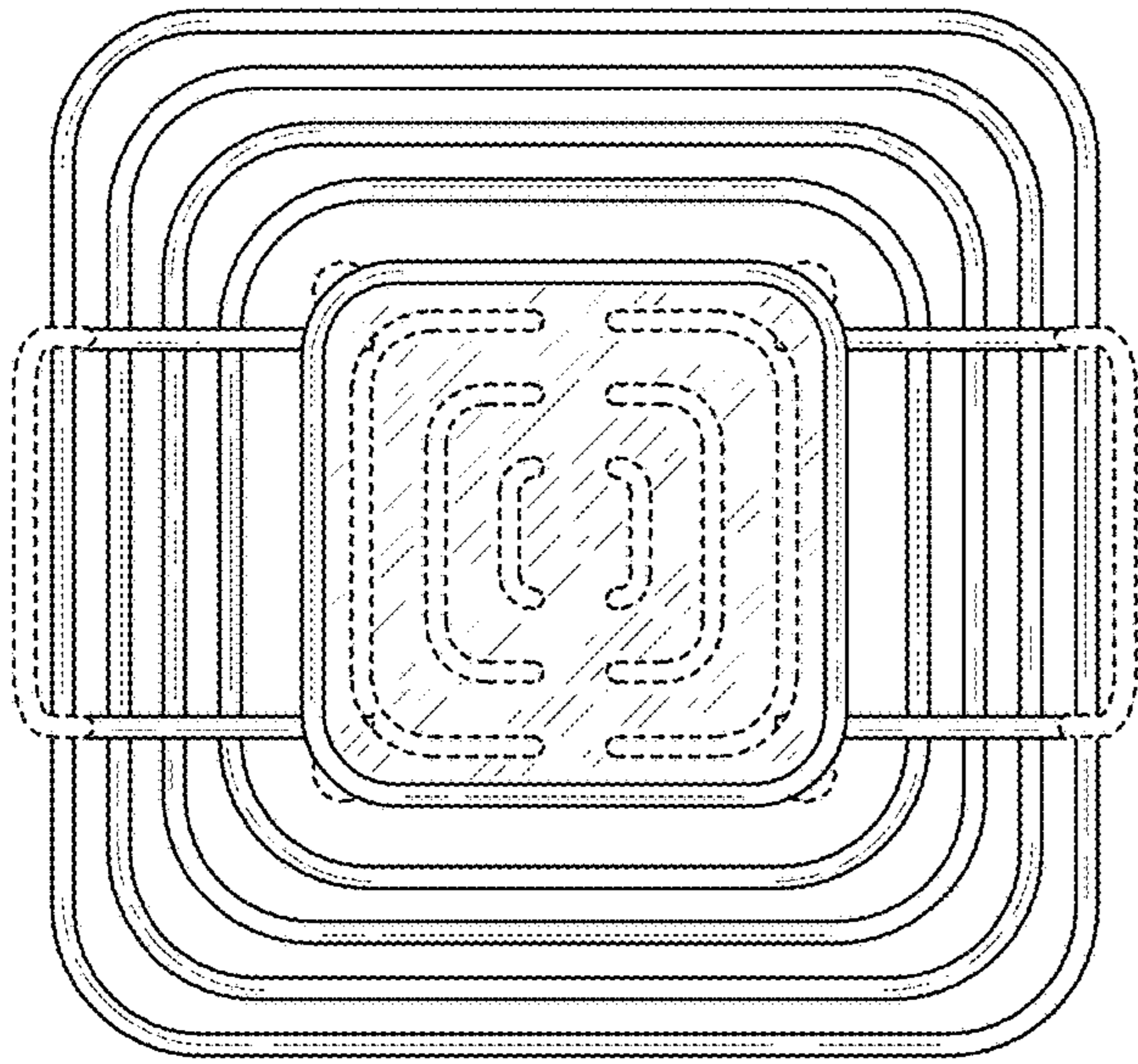


FIG. 6

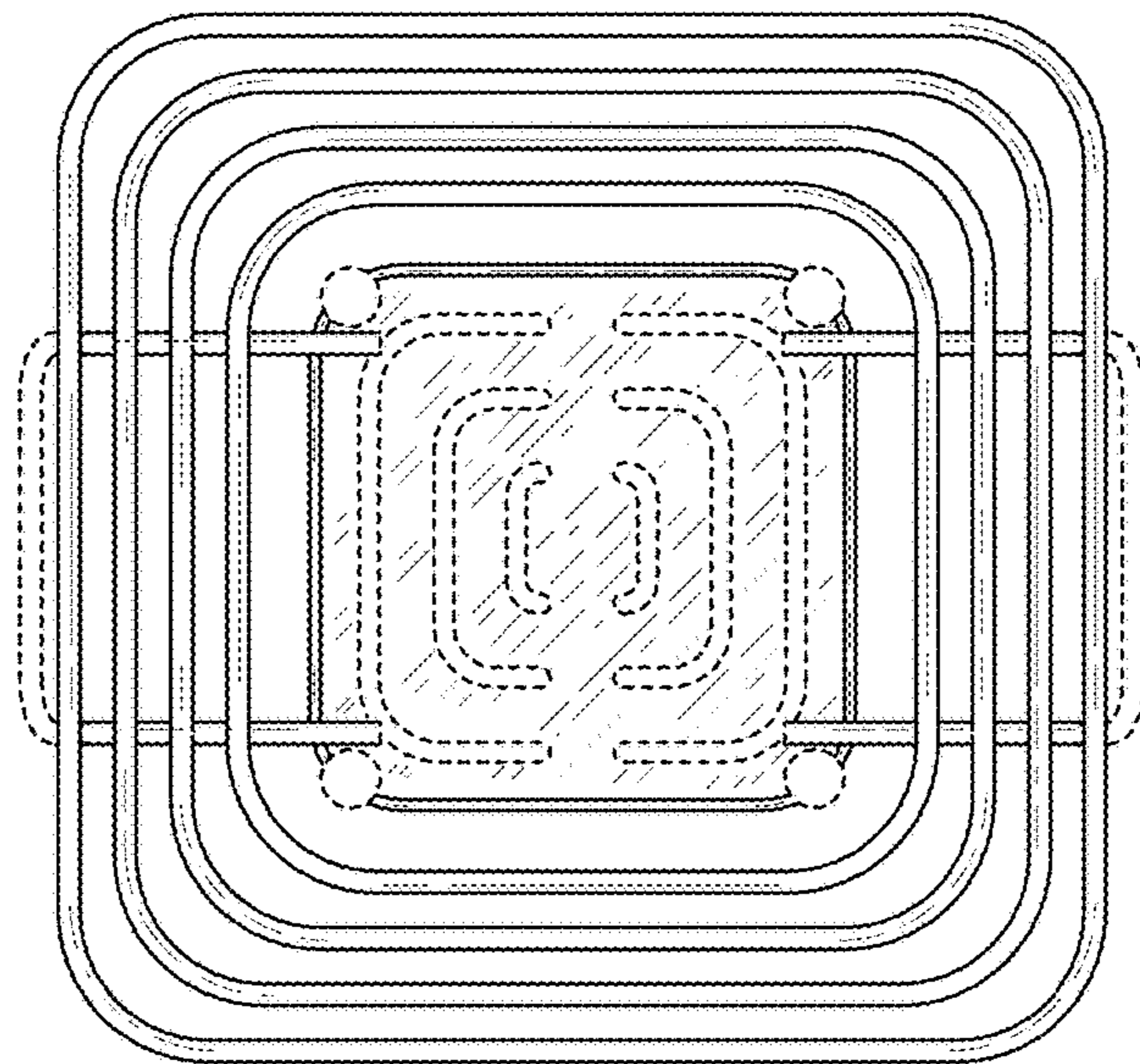


FIG. 7

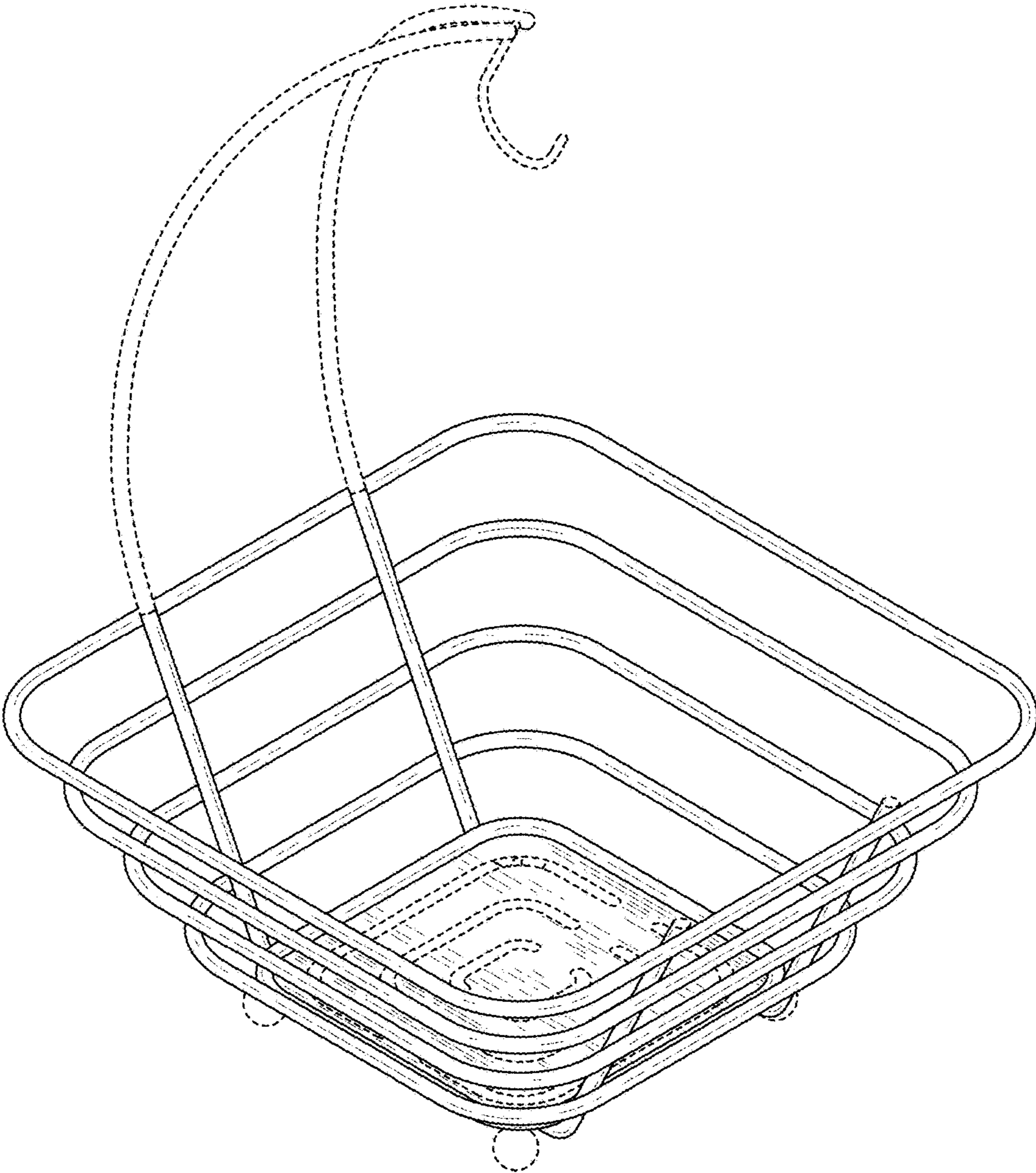


FIG. 8