



US00D848148S

(12) **United States Design Patent** (10) **Patent No.:** **US D848,148 S**
Li (45) **Date of Patent:** **** May 14, 2019**

(54) **CONTAINER**
(71) Applicant: **Fujian Shuangyi Bamboo and Wood Development Co., Ltd**, Nanping (CN)
(72) Inventor: **Zhisheng Li**, Nanping (CN)
(73) Assignee: **Fujian Shuangyi Bamboo and Wood Development Co., Ltd.**, Nanping (CN)
(**) Term: **15 Years**
(21) Appl. No.: **29/615,747**
(22) Filed: **Aug. 31, 2017**
(51) **LOC (11) Cl.** **03-01**
(52) **U.S. Cl.**
USPC **D3/282; D3/302**
(58) **Field of Classification Search**
USPC D3/201, 203.6, 205, 203.1, 232, 259, D3/260, 273, 272, 276, 279, 282, 284, D3/302, 294, 900, 905, 904; D9/414, D9/418, 430, 432, 433
CPC B25H 3/00; B25H 3/02; A45C 5/00; A45C 5/04; A45C 5/08; A45C 2011/007; A45C 11/00
See application file for complete search history.

D748,916 S * 2/2016 Nilsson D3/302
D759,972 S * 6/2016 Duvigneau D3/281
D760,035 S * 6/2016 Kim D7/629
D788,465 S * 6/2017 Spadotto D3/302
D811,741 S * 3/2018 Damberg D3/273
D818,712 S * 5/2018 Fleming D3/294

OTHER PUBLICATIONS

Mobile Vision, "Bamboo Storage Box, 14"x11"x6.5\"", Accessed Aug. 10, 2018. (<https://www.mobilevisionus.com/bamboo/bamboo-storage-box-14x11x-65>) (Year: 2018).*
Home Depot, "BergHOFF CooknCo Bread Bin in Green", Accessed Aug. 10, 2018. (<https://www.homedepot.com/p/BergHOFF-CooknCo-Bread-Bin-in-Green-2800044/301312898>) (Year: 2018).*
Sprout, "Stackable Wooden Storage Boxes With Lids", Accessed Aug. 10, 2018. (https://sprout-kids.com/products/stacking-cubes-cr_scl) (Year: 2018).*

* cited by examiner

Primary Examiner — Jennifer Rivard
Assistant Examiner — April Rivas
(74) *Attorney, Agent, or Firm* — W&K IP

(57) **CLAIM**

The ornamental design for container, as shown and described.

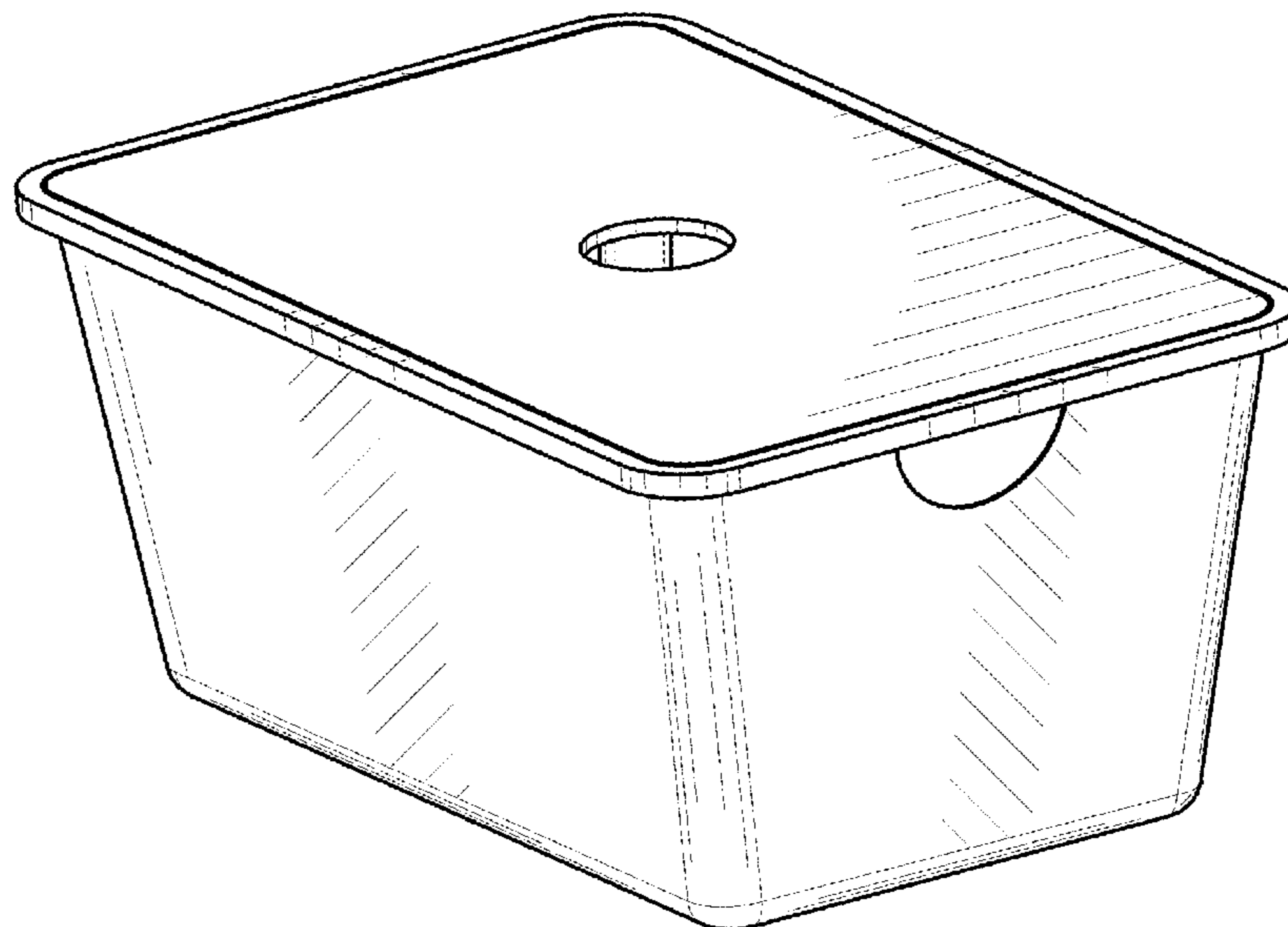
DESCRIPTION

FIG. 1 is a front view showing my design;
FIG. 2 is a left side view showing my design;
FIG. 3 is a top plan view showing my design;
FIG. 4 is a bottom plan view showing my design;
FIG. 5 is a perspective view showing my design; and,
FIG. 6 is a perspective view without lid showing my design. The lid is shown removed from FIG. 6 for convenience of illustration only.

1 Claim, 3 Drawing Sheets

(56) **References Cited**
U.S. PATENT DOCUMENTS

D221,914 S * 9/1971 Perkins D3/302
D422,412 S * 4/2000 Greene D3/201
D442,779 S * 5/2001 Koefeld D3/273
D531,802 S * 11/2006 Zimmerman D3/302
D597,383 S * 8/2009 Masterton D3/272
D639,065 S * 6/2011 Duvigneau D3/302
8,083,095 B2 * 12/2011 Hui B65D 43/021
220/367.1



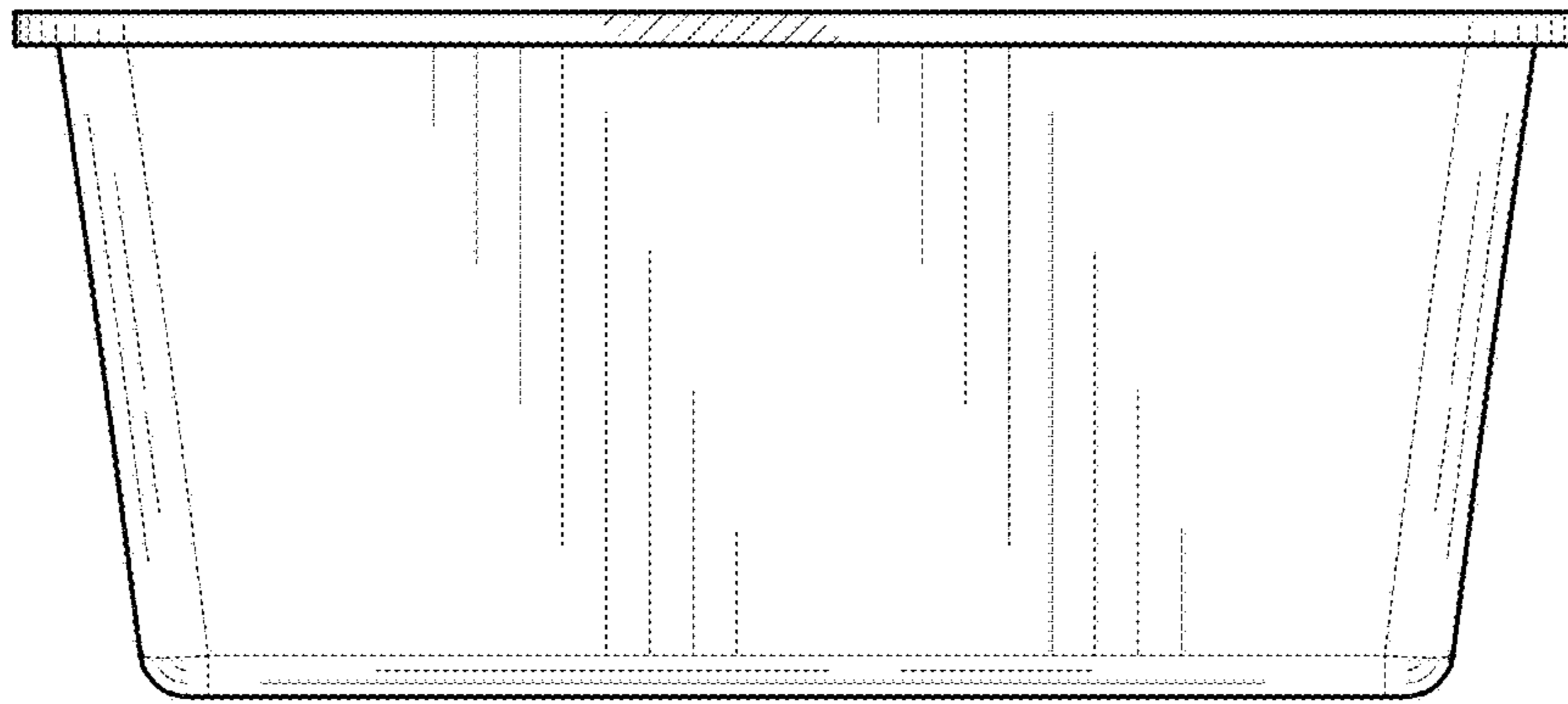


FIG. 1

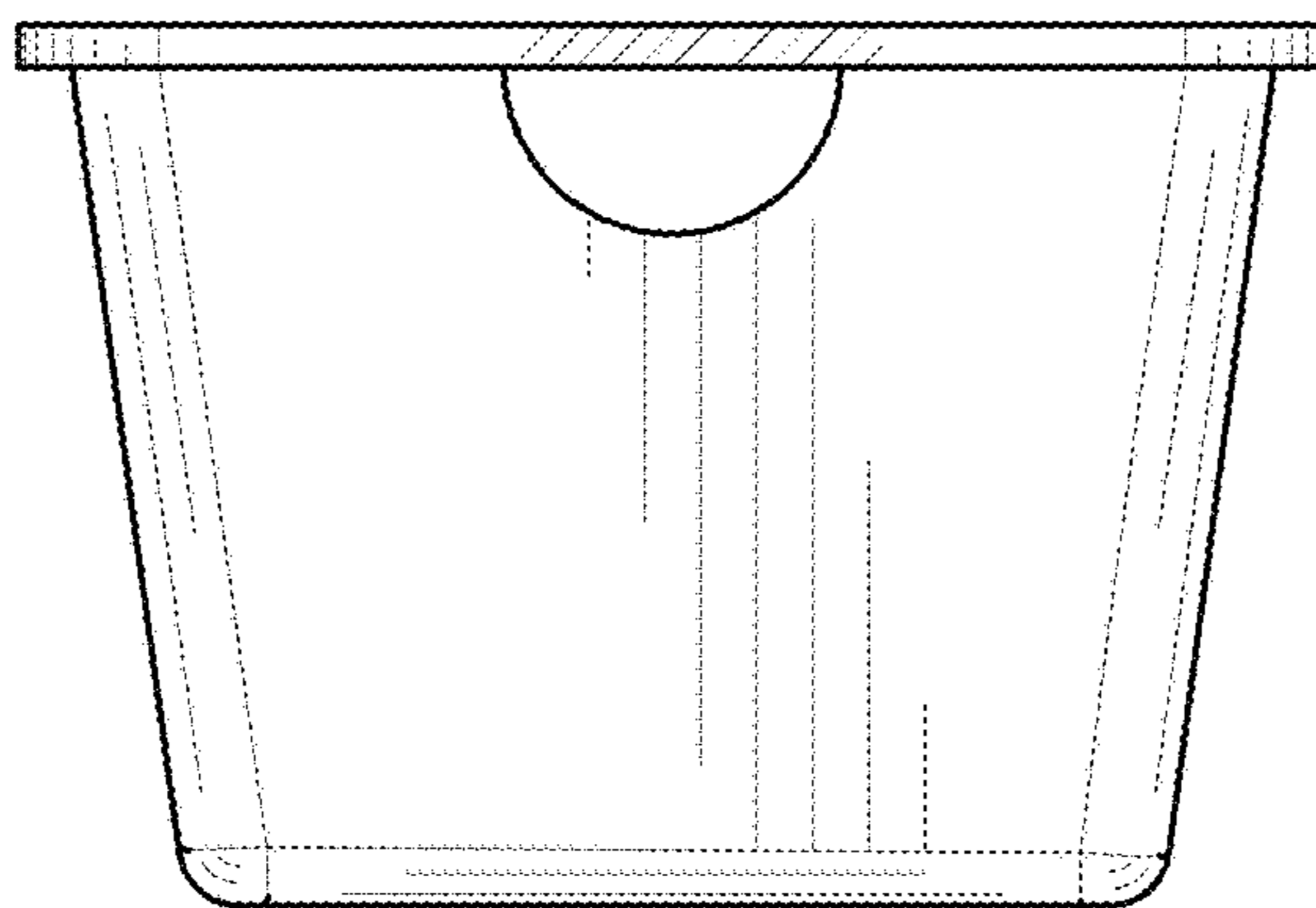


FIG. 2

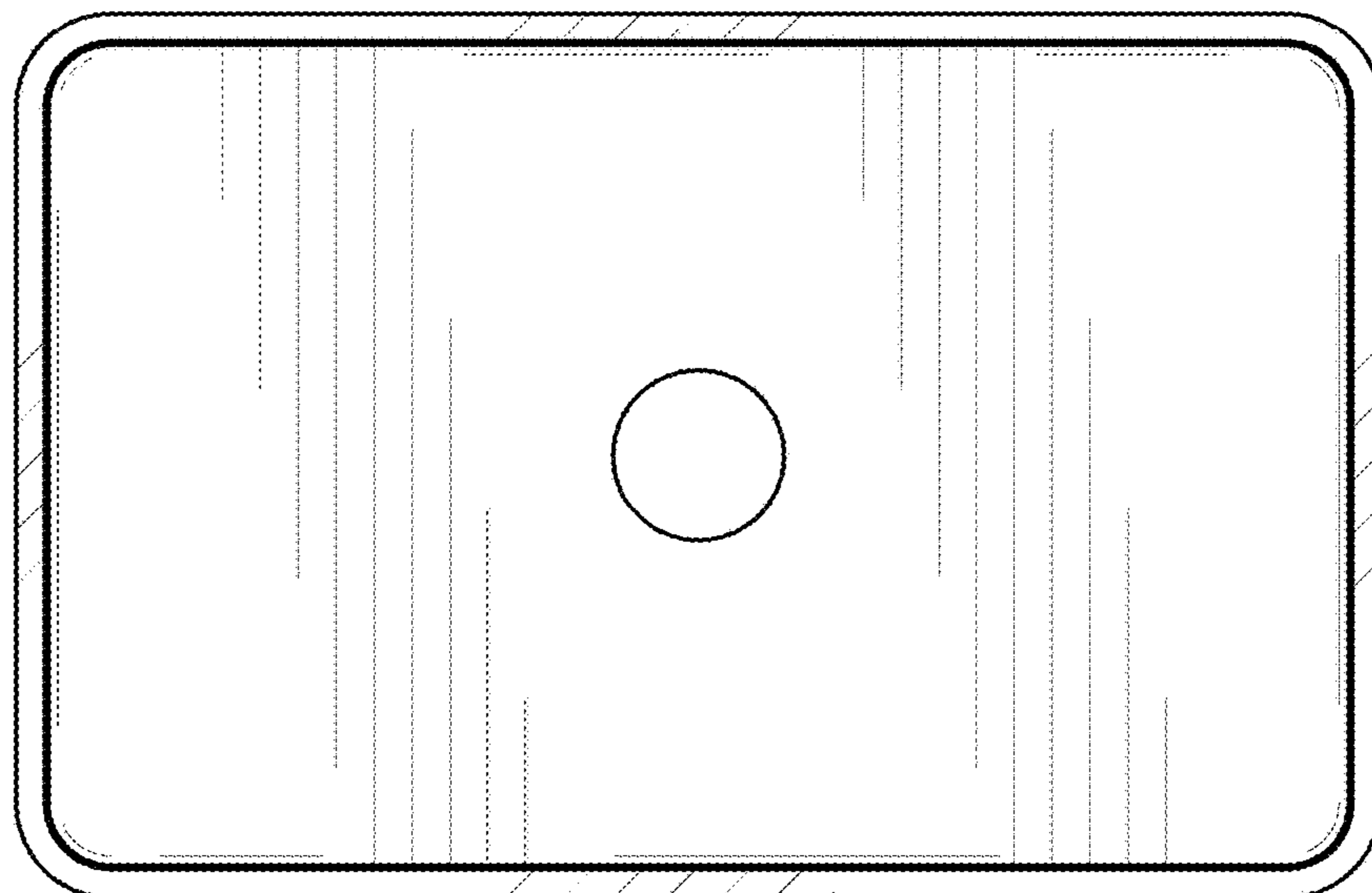


FIG. 3

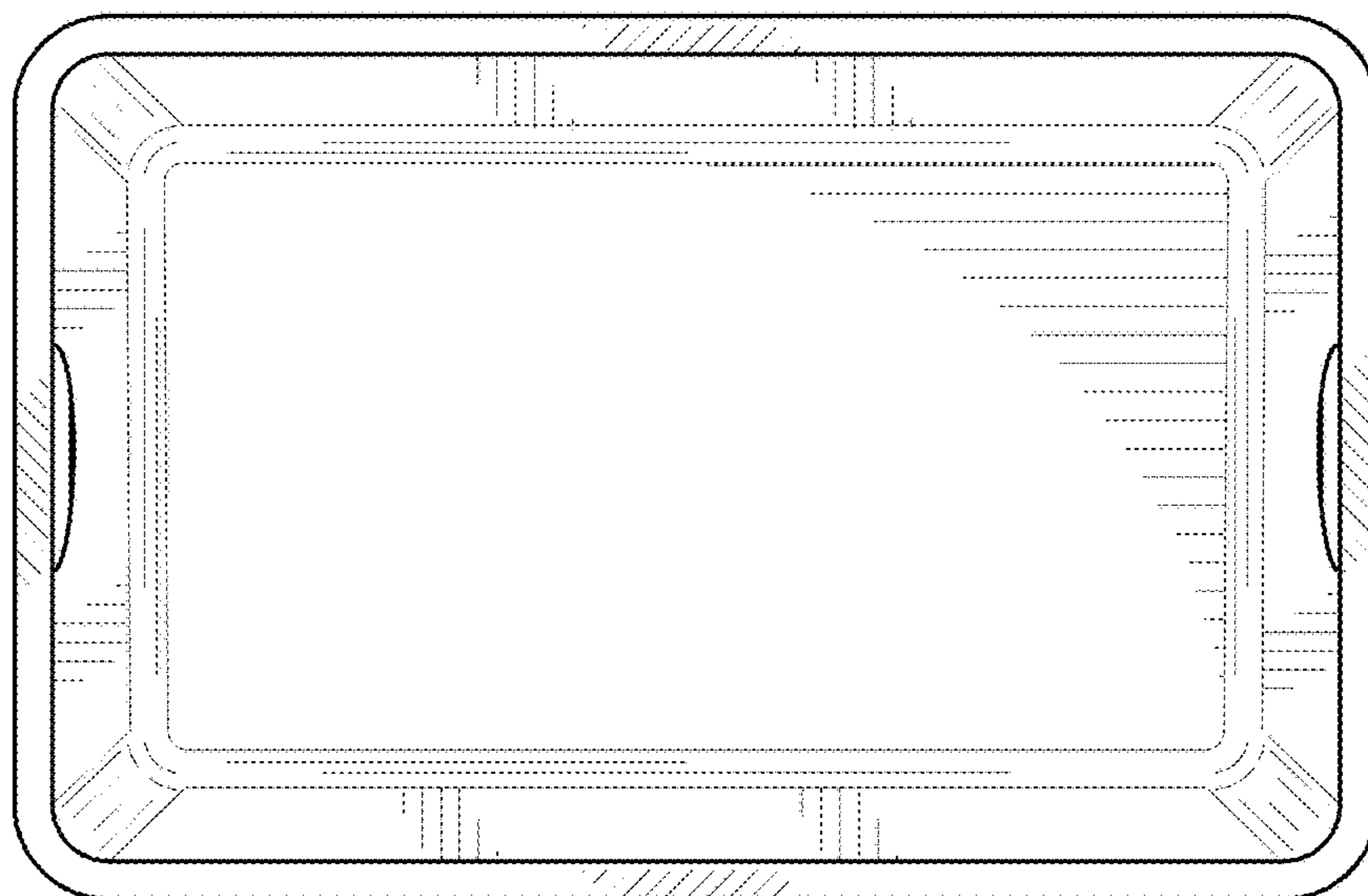


FIG. 4

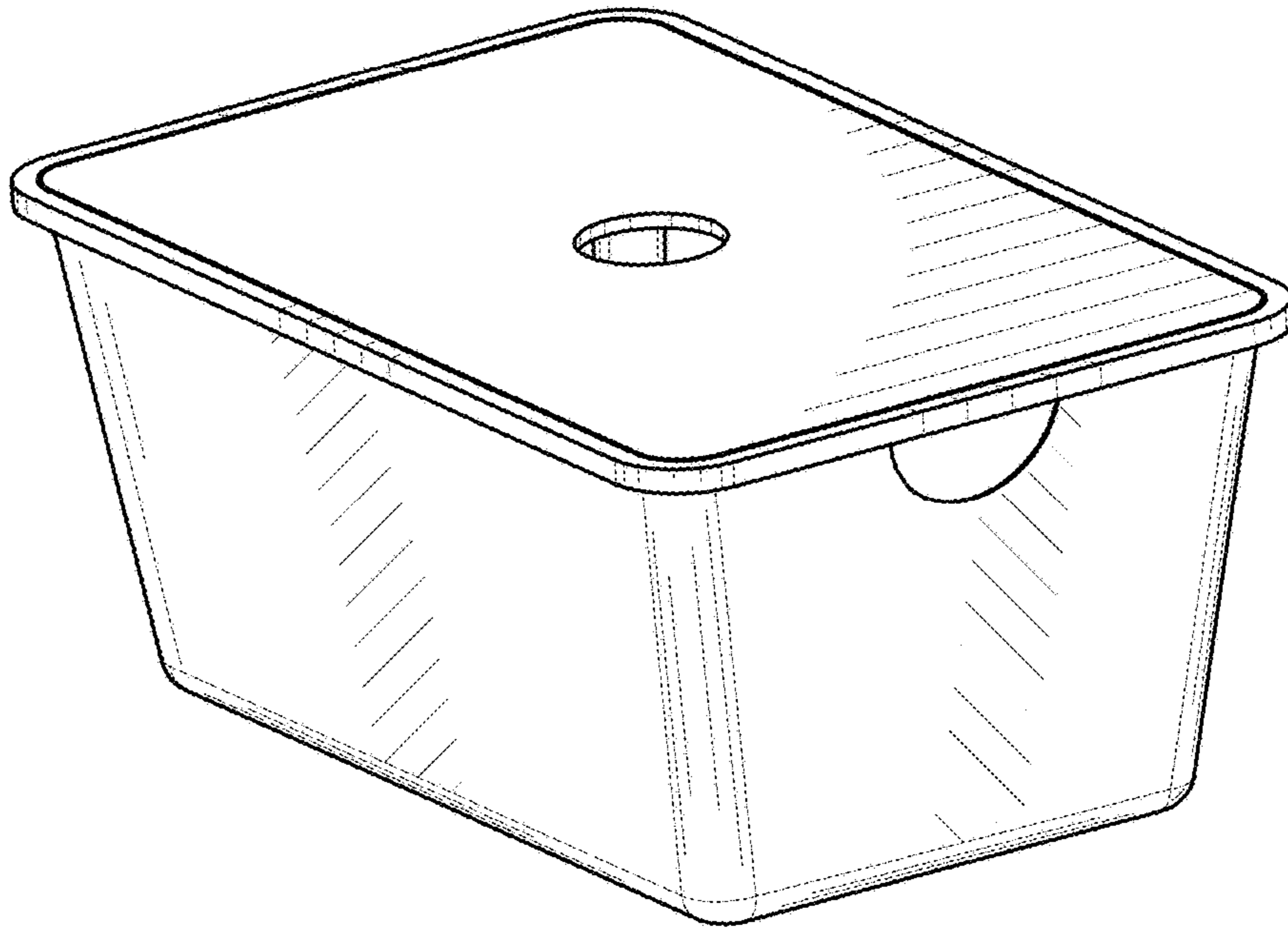


FIG. 5

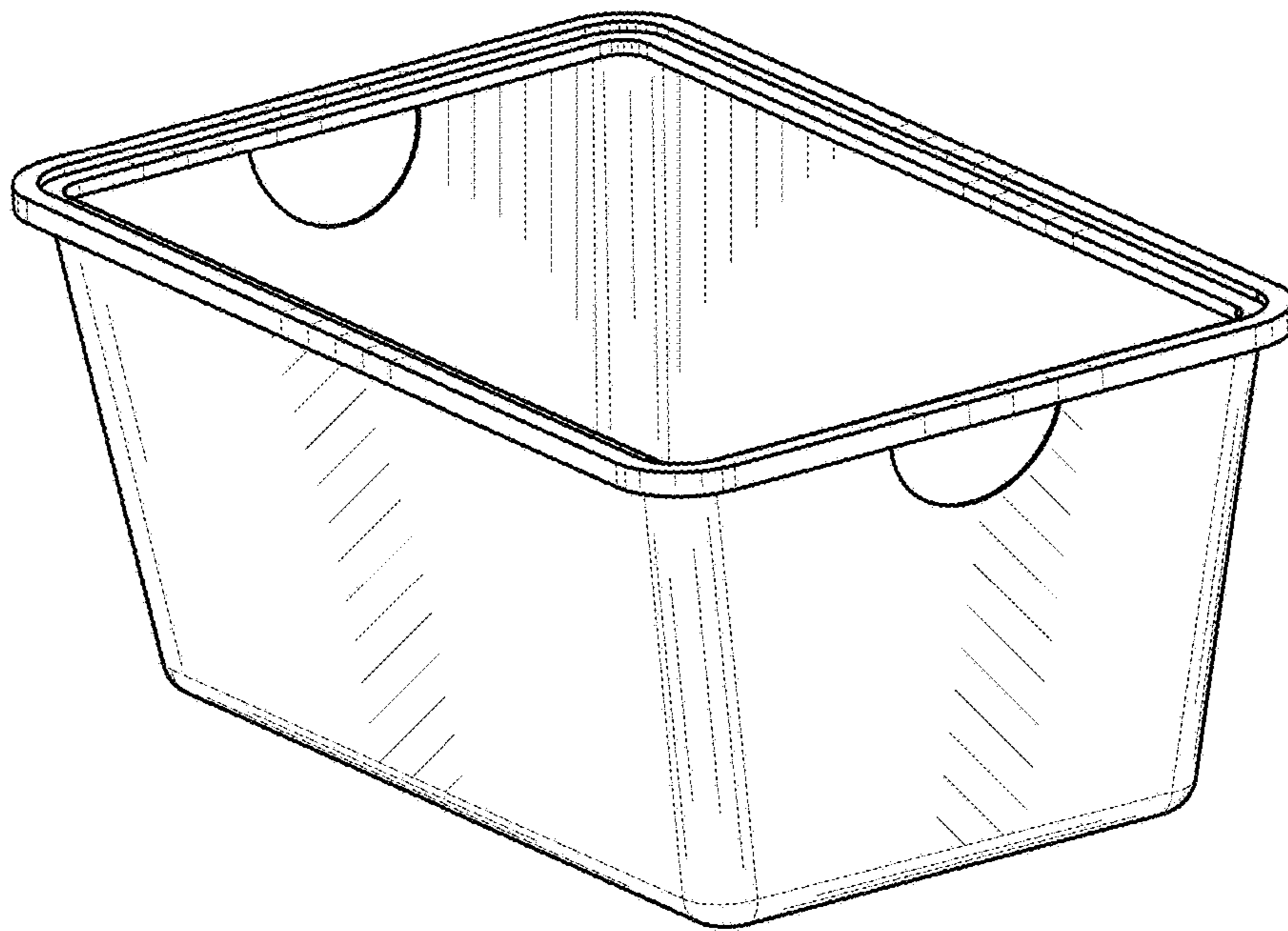


FIG. 6