



US00D848147S

(12) **United States Design Patent** (10) **Patent No.:** **US D848,147 S**
Chen (45) **Date of Patent:** **** May 14, 2019**

(54) **FASTENER CONTAINER** 7,938,286 B2 * 5/2011 Vogel B65D 21/0222
220/270
(71) Applicant: **CHENG YU ENTERPRISES CO., LTD.**, Tainan (TW) D716,011 S * 10/2014 Jackson D32/53
D729,480 S * 5/2015 Silkaitis D32/53
D767,228 S * 9/2016 Del Rosario Roy D32/53
(72) Inventor: **Min-Chien Chen**, Tainan (TW) D788,465 S * 6/2017 Spadotto D3/302
D790,219 S * 6/2017 Huang D3/276
D814,920 S * 4/2018 Georgiadis D9/420
(73) Assignee: **CHENG YU ENTERPRISES CO., LTD.**, Tainan (TW) D818,712 S * 5/2018 Fleming D3/294
2004/0079757 A1 * 4/2004 Ciccone B65D 43/0256
220/836

(**) Term: **15 Years**

OTHER PUBLICATIONS

(21) Appl. No.: **29/630,161**
(22) Filed: **Dec. 19, 2017**
(51) **LOC (11) Cl.** **03-01**
(52) **U.S. Cl.**
USPC **D3/276; D3/905**
(58) **Field of Classification Search**
USPC D3/201, 203.6, 205, 203.1, 232, 259,
D3/260, 273, 272, 276, 279, 282, 284,
D3/302, 294, 900, 905, 904; D9/414,
D9/418, 430, 432, 433; D32/53
CPC B25H 3/00; B25H 3/02; A45C 5/00; A45C
5/04; A45C 5/08; A45C 2011/007; A45C
11/00

Amazon, "Grip-Rite 2CDWS25BK 6-by-2-Inch Coarse Thread Drywall Screws with Bugle Head, Black, 25-Pound Bucket", First on sale Aug. 17, 2005. (<https://www.amazon.com/dp/B000BD8L5M/>) (Year: 2005).*

* cited by examiner

Primary Examiner — Jennifer Rivard
Assistant Examiner — April Rivas
(74) *Attorney, Agent, or Firm* — J.C. Patents

(57) **CLAIM**

The ornamental design for a fastener container, as shown and described.

DESCRIPTION

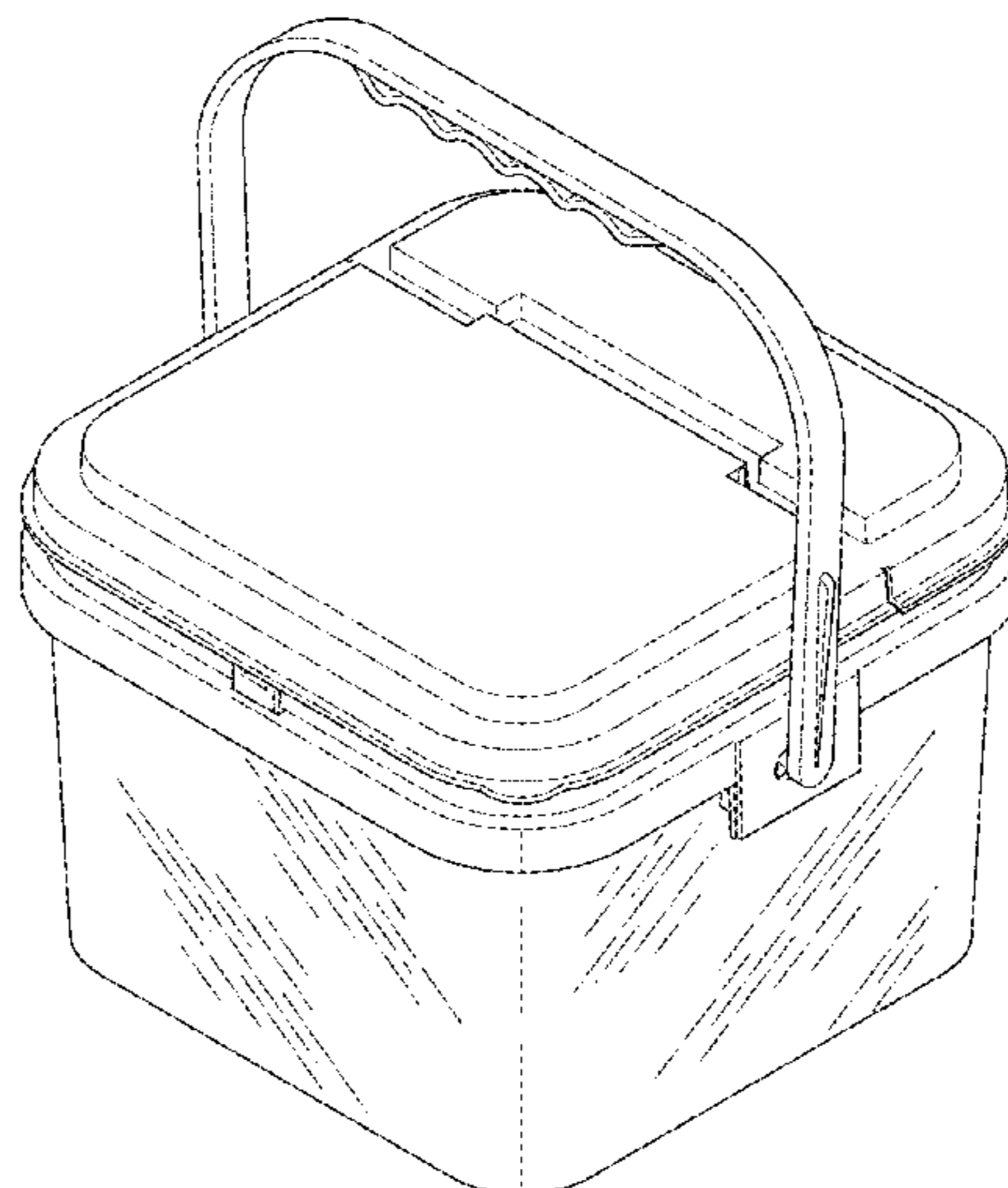
(56) **References Cited**

U.S. PATENT DOCUMENTS

4,127,915 A * 12/1978 Logan A47G 23/0266
16/425
D312,157 S * 11/1990 Sjolander D3/276
D352,143 S * 11/1994 Arshinoff D32/53
D396,749 S * 8/1998 Ortiz D3/284
D503,534 S * 4/2005 Dong D3/276
D506,608 S * 6/2005 Dong B65D 25/32
D3/276
D526,481 S * 8/2006 Dong D3/276

FIG. 1 is a perspective view of a fastener container;
FIG. 2 is a front view thereof;
FIG. 3 is a rear view thereof;
FIG. 4 is a left side view thereof;
FIG. 5 is a right side view thereof;
FIG. 6 is a top view thereof; and,
FIG. 7 is a bottom view thereof.
The broken lines illustrate portions of the fastener container and form no part of the claimed design.

1 Claim, 6 Drawing Sheets



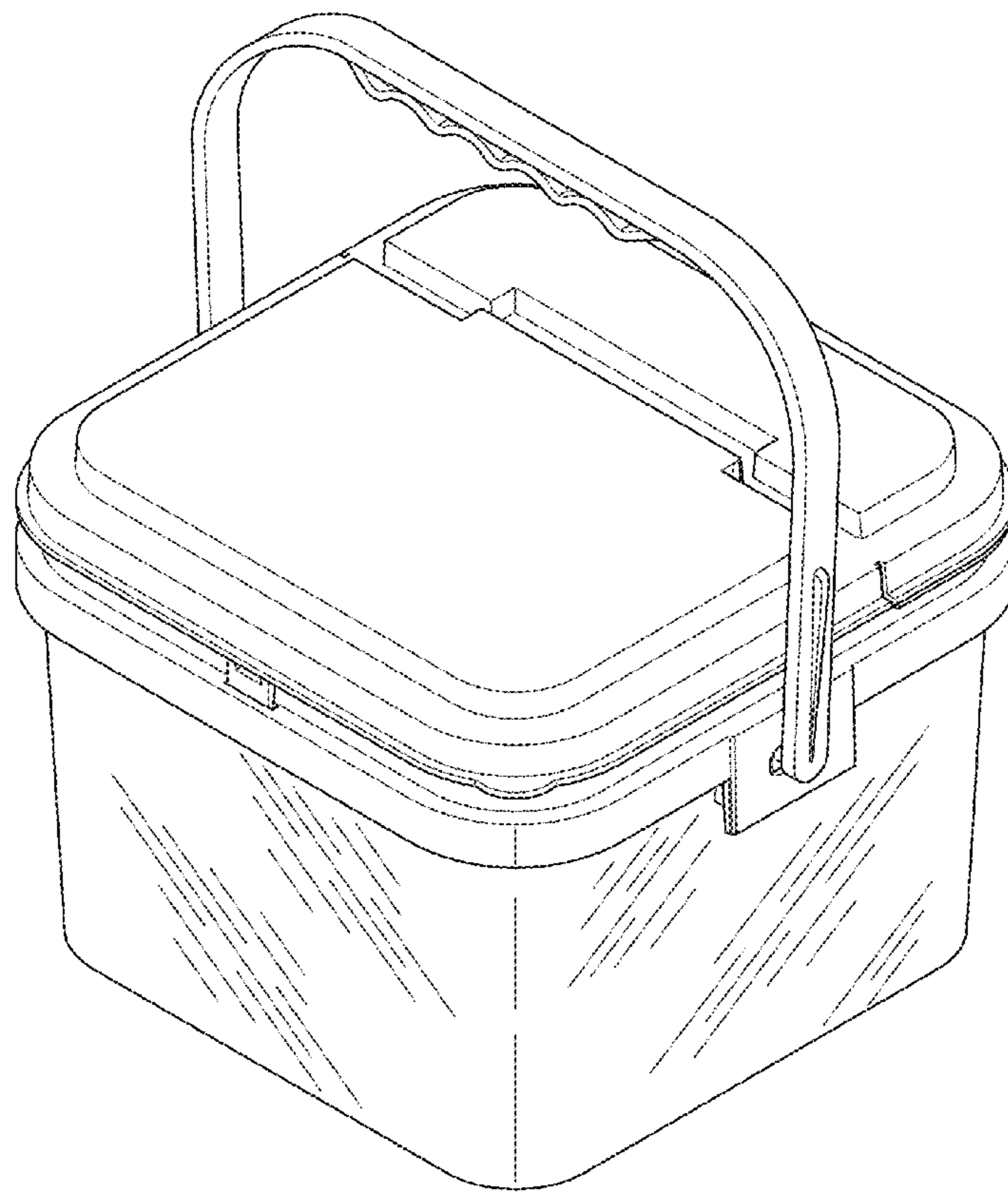


FIG 1

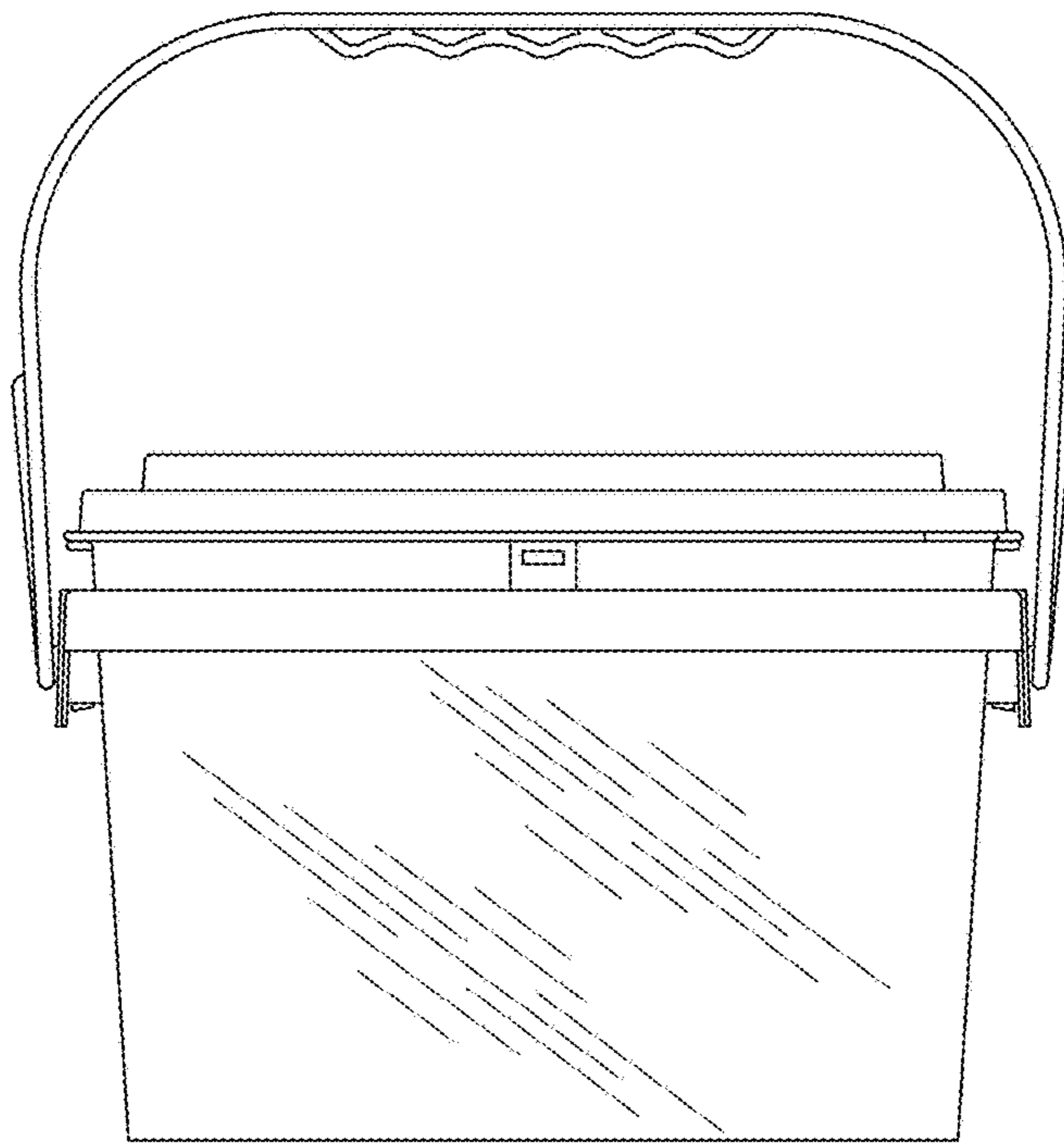


FIG 2

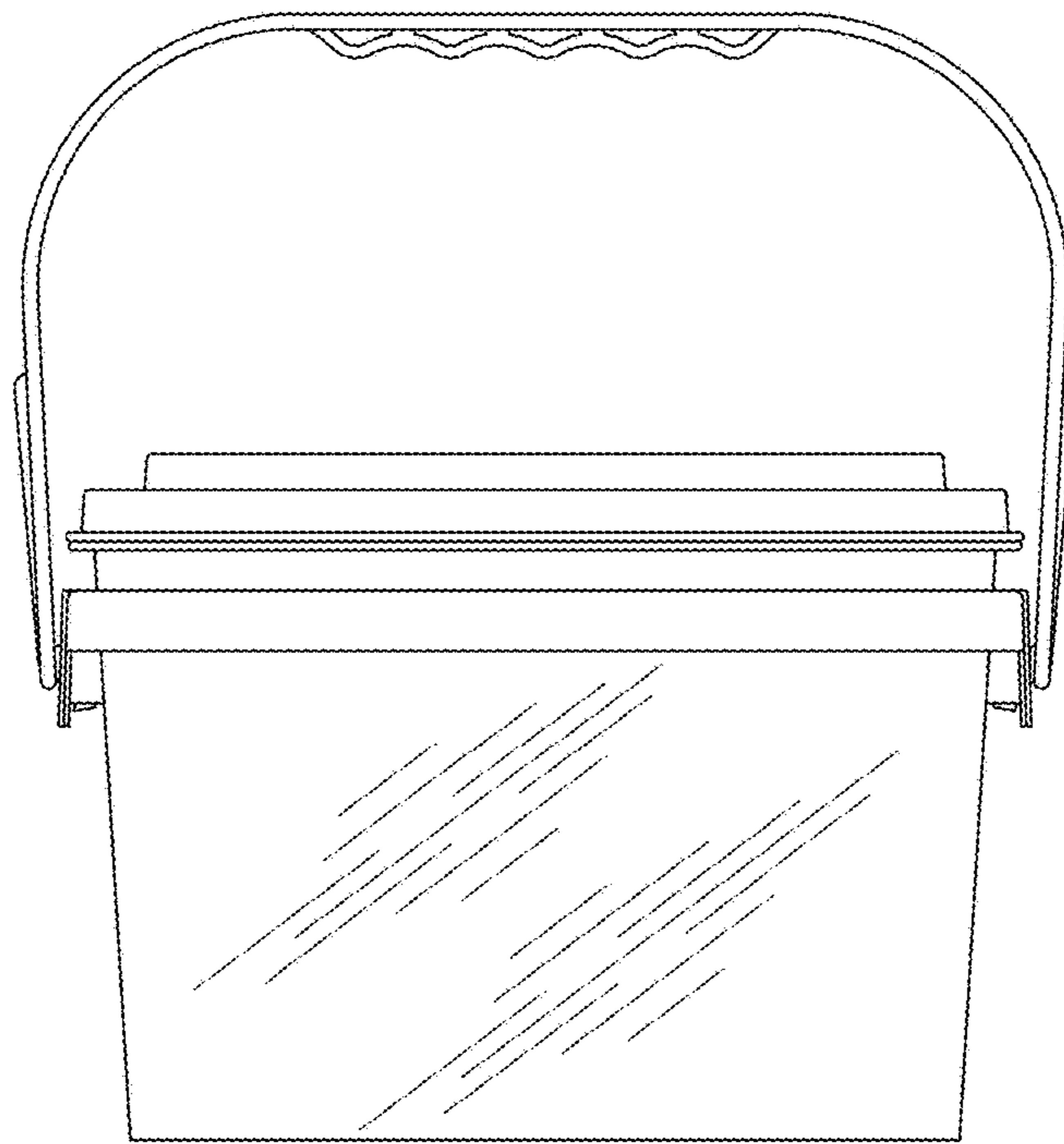


FIG 3

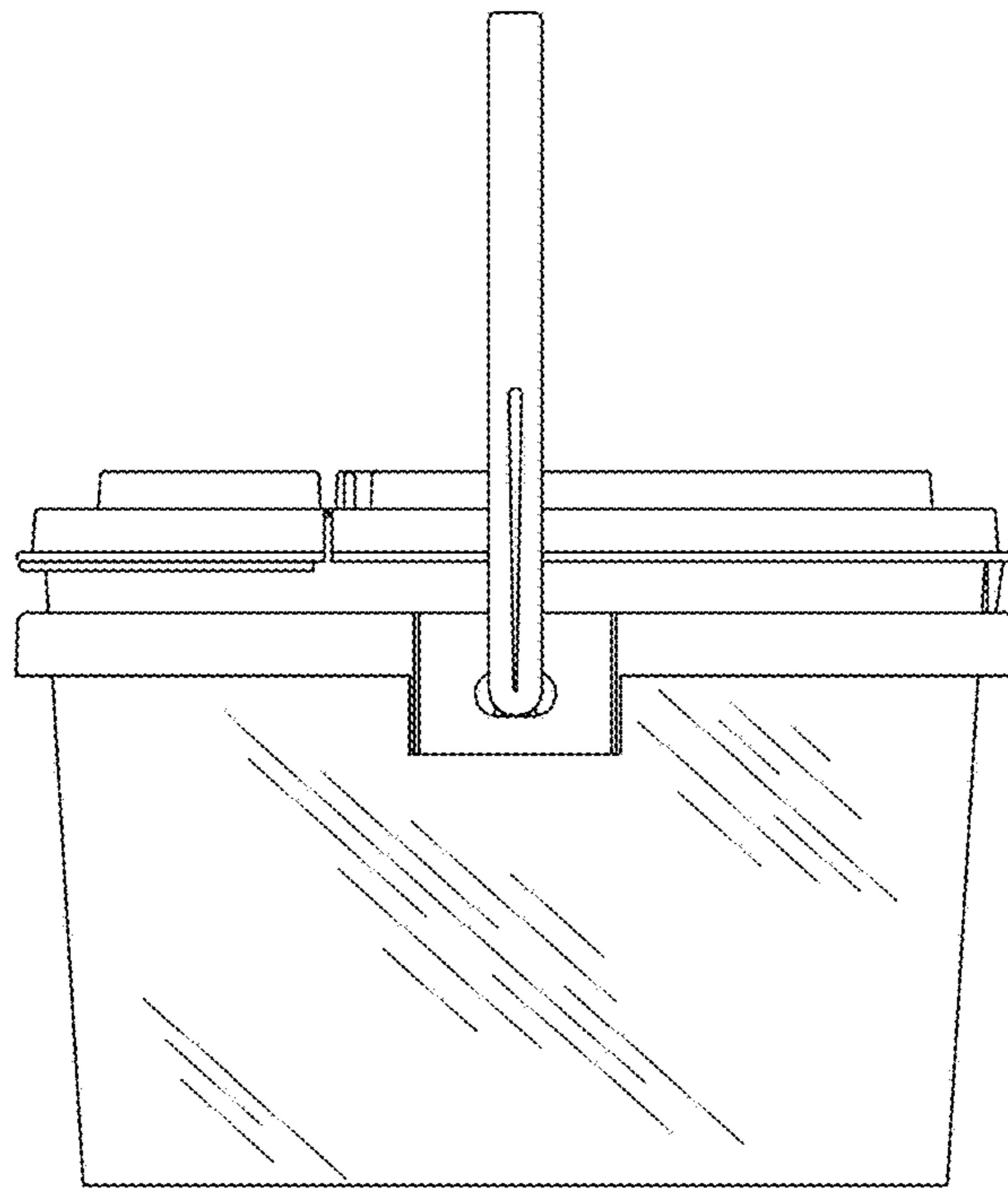


FIG 4

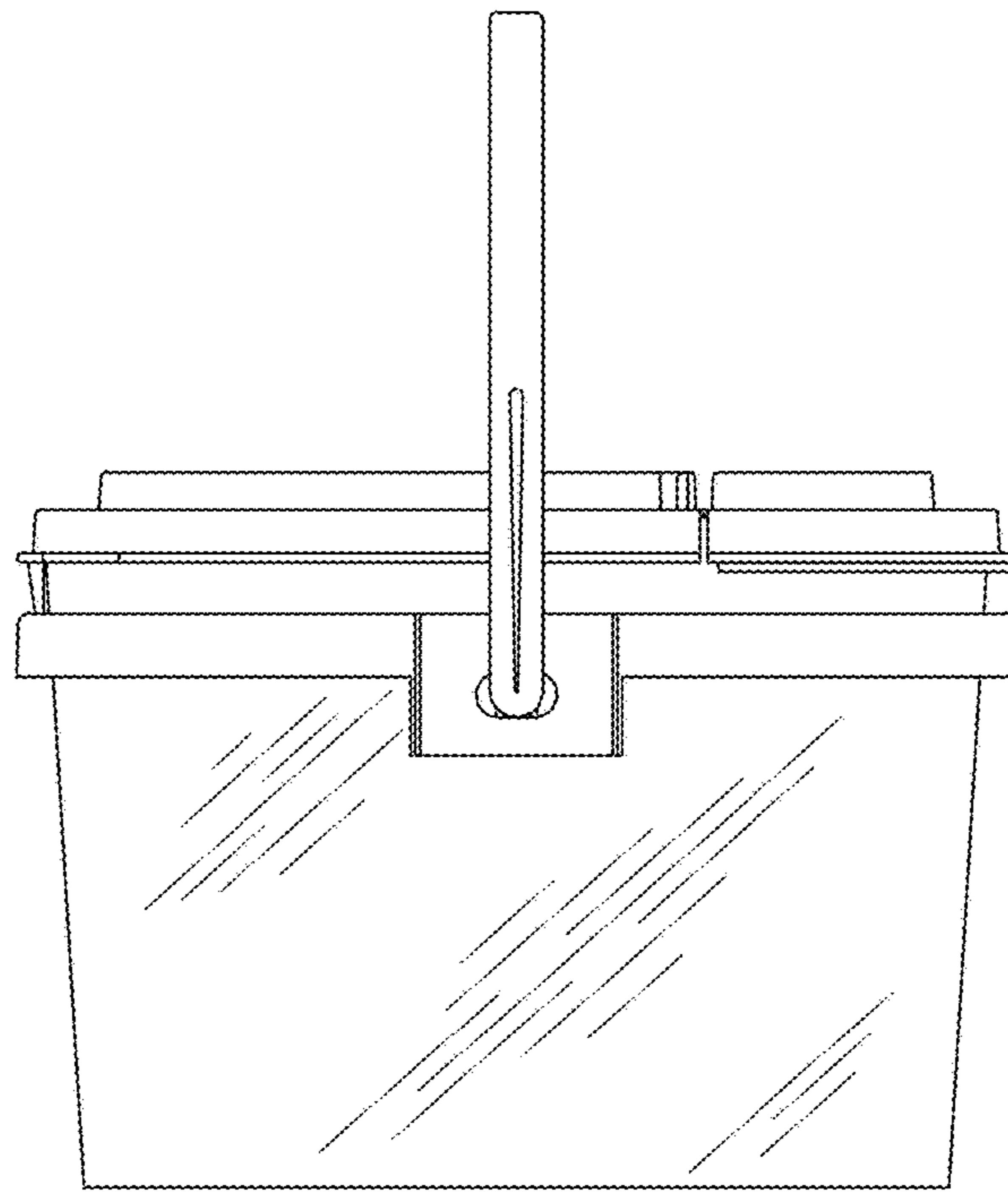


FIG 5

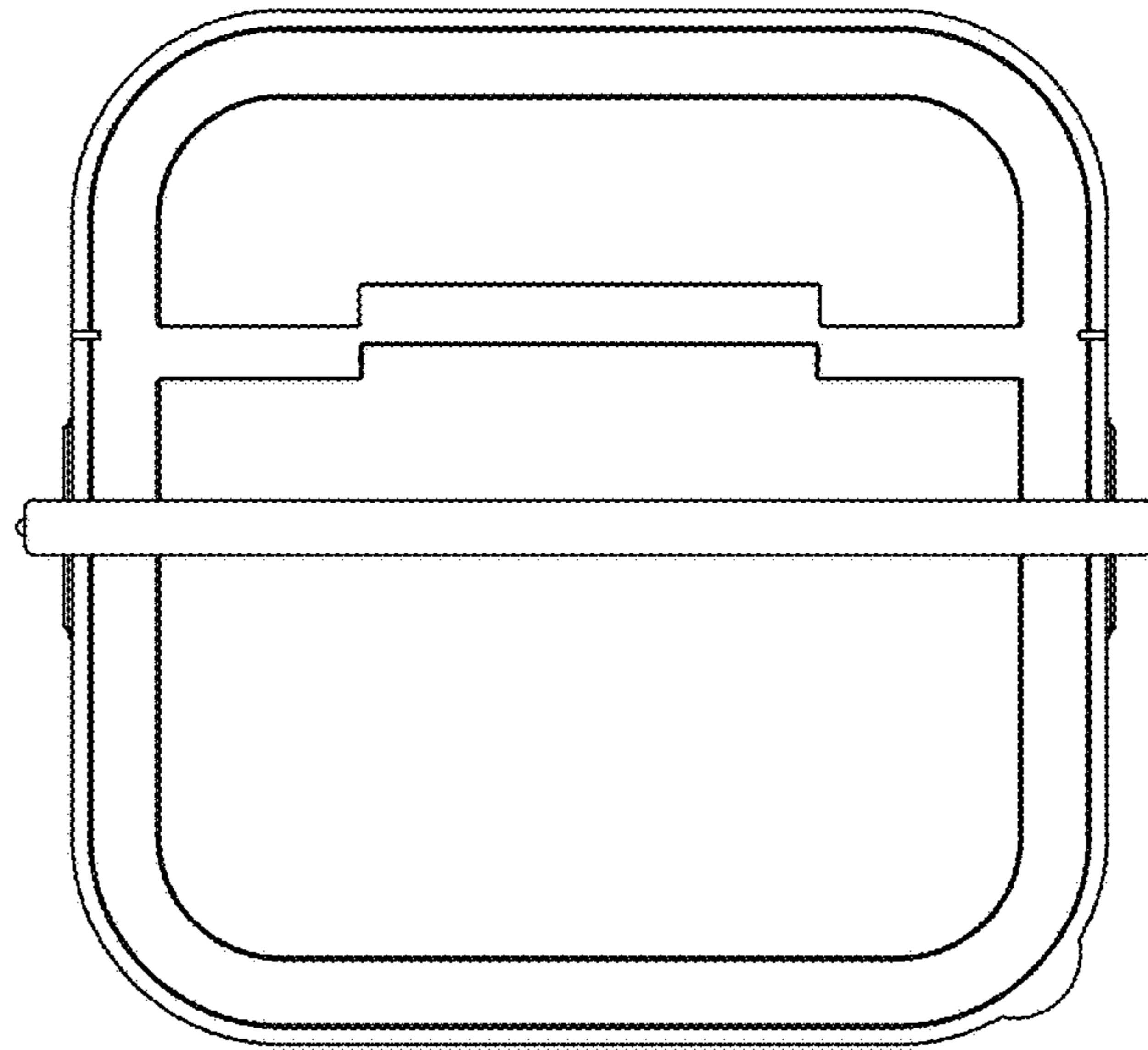


FIG 6

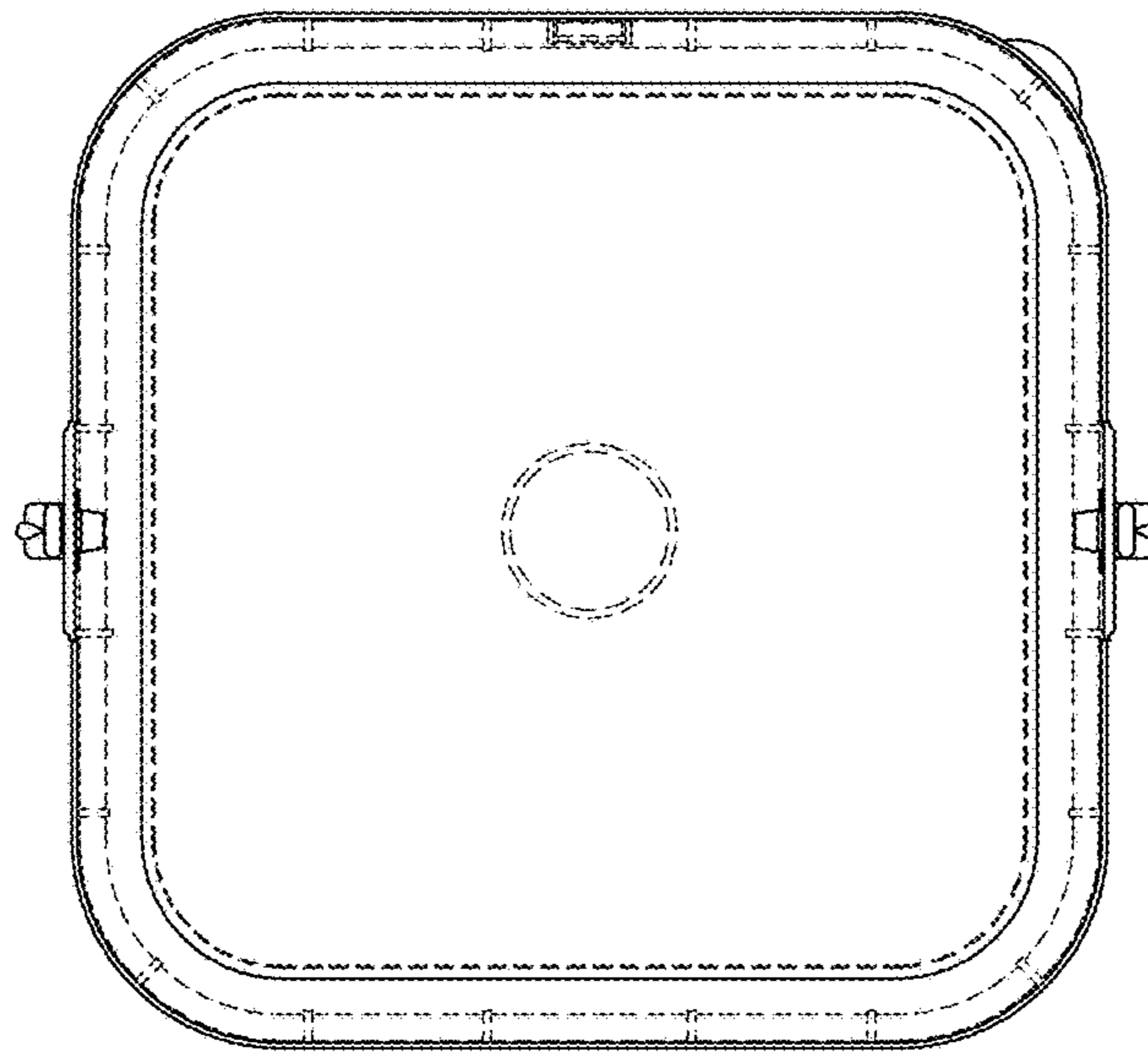


FIG 7