



US00D848146S

(12) **United States Design Patent** (10) **Patent No.:** **US D848,146 S**  
**Kincade et al.** (45) **Date of Patent:** **\*\* May 14, 2019**

(54) **STORAGE BOX**

- (71) Applicant: **Open Sky Touring Pty Ltd**, Kewarra Beach, Qld (AU)
- (72) Inventors: **Benjamin Kincade**, Kewarra Beach (AU); **Nicholas McKenzie**, Kamerunga (AU); **Daniel Freund**, South Brisbane (AU)
- (73) Assignee: **OPEN SKY TOURING PTY LTD.**, Kewarra Beach, Qld (AU)

- (\*\*) Term: **15 Years**
- (21) Appl. No.: **29/626,527**
- (22) Filed: **Nov. 17, 2017**

**Related U.S. Application Data**

- (63) Continuation of application No. 29/626,339, filed on Nov. 16, 2017, now abandoned.

(30) **Foreign Application Priority Data**

May 17, 2017 (AU) ..... 201712946  
 May 17, 2017 (NZ) ..... 423050  
 (Continued)

- (51) **LOC (11) Cl.** ..... **03-01**
- (52) **U.S. Cl.**  
USPC ..... **D3/272; D3/294; D3/905**
- (58) **Field of Classification Search**  
USPC ..... D3/201, 203.6, 205, 203.1, 232, 259,  
D3/260, 273, 272, 276, 279, 282, 284,  
(Continued)

(56) **References Cited**

**U.S. PATENT DOCUMENTS**

D361,511 S \* 8/1995 Dickinson ..... D7/605  
 D376,259 S \* 12/1996 Dickinson ..... D3/273  
 (Continued)

**OTHER PUBLICATIONS**

Front Runner, "Wolf Pack—by Front Runner", Video on product page posted Feb. 14, 2013. ([https://www.youtube.com/watch?time\\_continue=2&v=b1WOCF\\_e2zY](https://www.youtube.com/watch?time_continue=2&v=b1WOCF_e2zY)) (Year: 2013).\*  
 (Continued)

*Primary Examiner* — Jennifer Rivard  
*Assistant Examiner* — April Rivas  
 (74) *Attorney, Agent, or Firm* — Tarolli, Sundheim, Covell & Tummino LLP

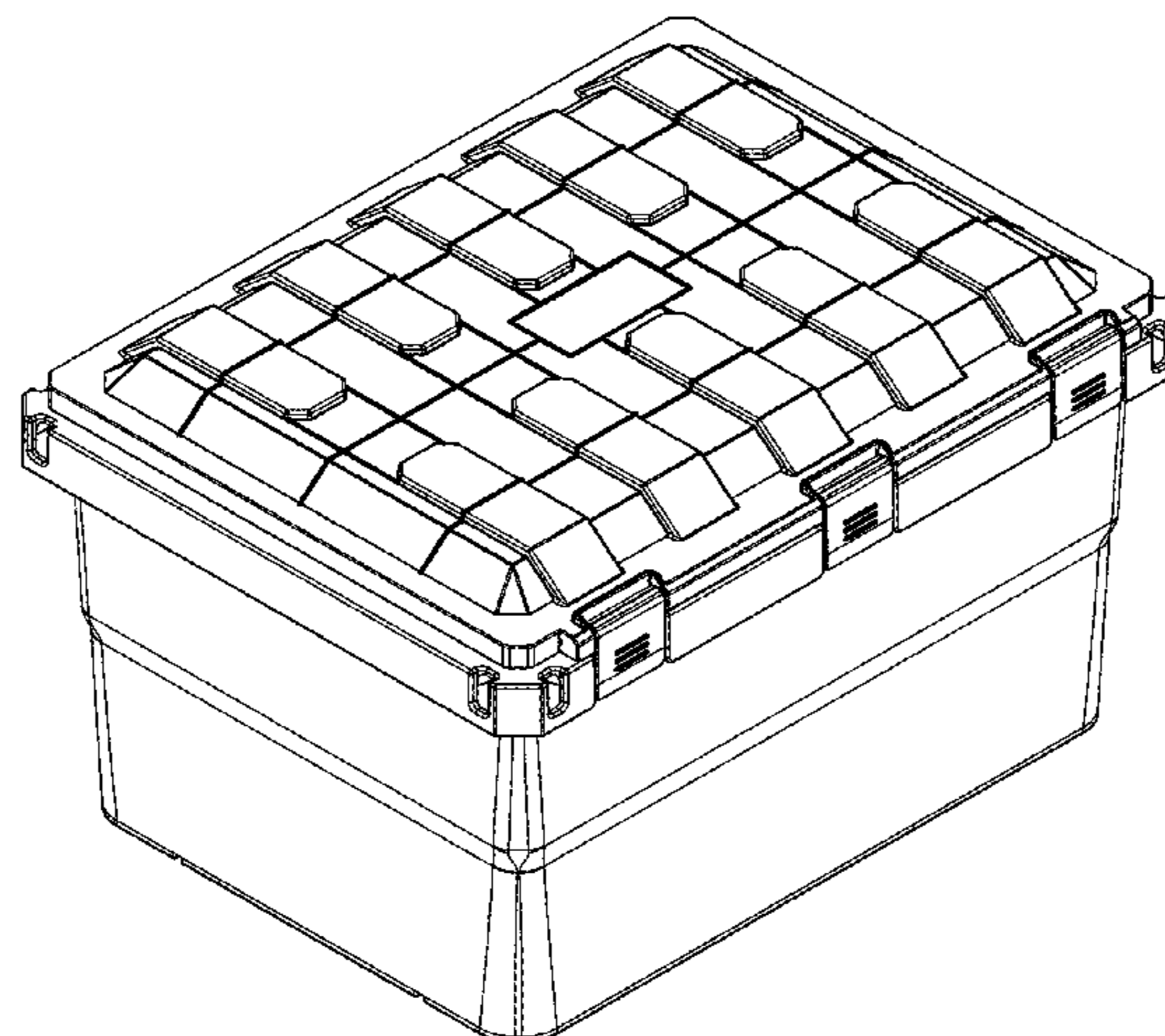
(57) **CLAIM**

We claim the ornamental design for a storage box, as shown and described.

**DESCRIPTION**

FIG. 1 is a front view of a storage box comprising a new, original and ornamental design, in a closed configuration; FIG. 2 is a top view of the storage box shown in FIG. 1; FIG. 3 is a left side view of the storage box shown in FIG. 1; FIG. 4 is a right side view of the storage box shown in FIG. 1; FIG. 5 is a rear view of the storage box shown in FIG. 1; FIG. 6 is a bottom view of the storage box shown in FIG. 1; FIG. 7 is a top view of the storage box shown in FIG. 1 with the lid shown removed; FIG. 8 is a front perspective view thereof; FIG. 9 is a rear perspective view thereof; FIG. 10 is a front perspective view of the storage box shown in FIG. 1 in the closed configuration; and, FIG. 11 is a rear perspective view of the storage box shown in FIG. 1 in the closed configuration. The lid is shown removed from FIGS. 7-9 for convenience of illustration only. The broken lines illustrate portions of the storage box and form no part of the claimed design.

**1 Claim, 11 Drawing Sheets**



(30) **Foreign Application Priority Data**

Nov. 14, 2017 (AU) ..... 201716941  
 Nov. 14, 2017 (NZ) ..... 423706

(58) **Field of Classification Search**

USPC ..... D3/302, 294, 900, 905, 904; D9/414,  
 D9/418, 430, 432, 433, 425  
 CPC .... B25H 3/00; B25H 3/02; A45C 5/00; A45C  
 5/04; A45C 5/08; A45C 2011/007; A45C  
 11/00

See application file for complete search history.

D744,239 S \* 12/2015 Reinhart ..... D3/302  
 D744,240 S \* 12/2015 Reinhart ..... D3/302  
 D748,916 S \* 2/2016 Nilsson ..... D3/302  
 D791,478 S \* 7/2017 Jowett ..... D3/294  
 2006/0254946 A1\* 11/2006 Becklin ..... B65D 21/0223  
 206/508  
 2010/0108556 A1\* 5/2010 Claffy ..... B65D 11/24  
 206/508  
 2011/0147385 A1\* 6/2011 Forrest ..... B25H 3/023  
 220/324  
 2012/0125937 A1\* 5/2012 Ahlstrom ..... B65D 43/0218  
 220/378  
 2015/0001120 A1\* 1/2015 Gaskell ..... B65D 21/0204  
 206/504

(56) **References Cited**

U.S. PATENT DOCUMENTS

D513,870 S \* 1/2006 Rosine ..... D3/273  
 D574,150 S \* 8/2008 Ross ..... D3/272  
 D606,306 S \* 12/2009 Monte ..... D3/273  
 D657,143 S \* 4/2012 Jowett ..... D3/272

OTHER PUBLICATIONS

Kincade, Ben; "The Expedition Box—Open Sky Tourings new project", Nov. 27, 2016.

\* cited by examiner

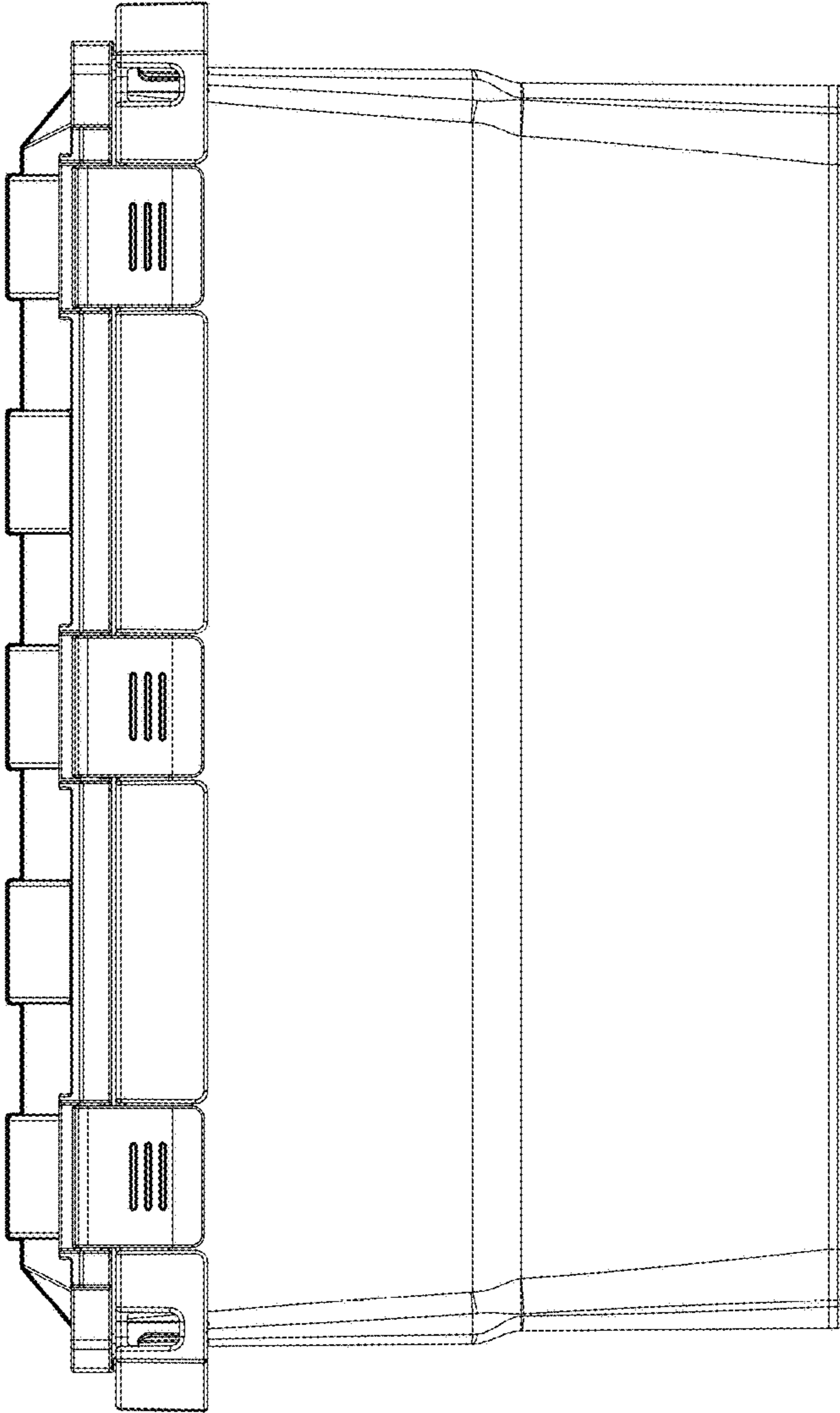


Fig. 1

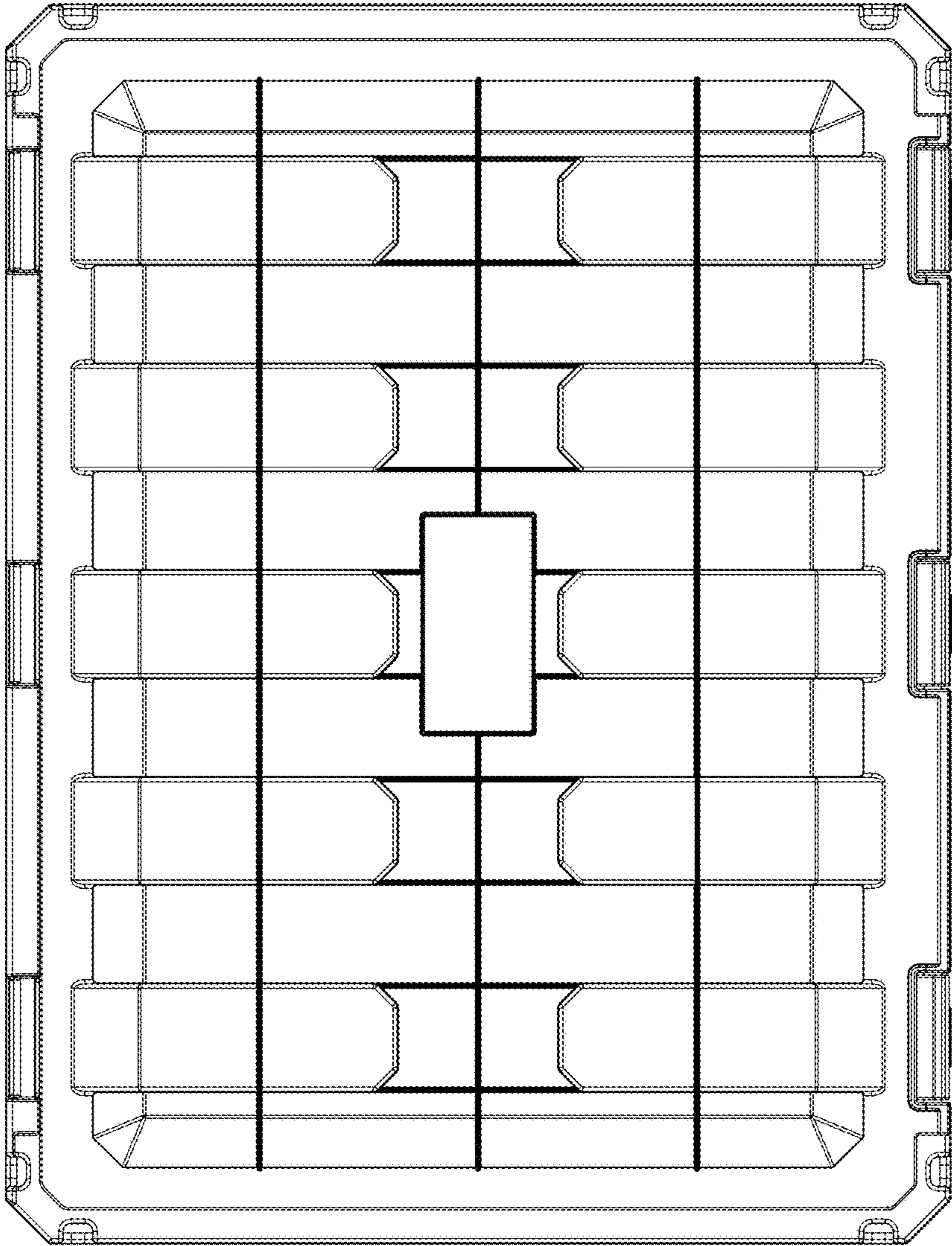


Fig. 2

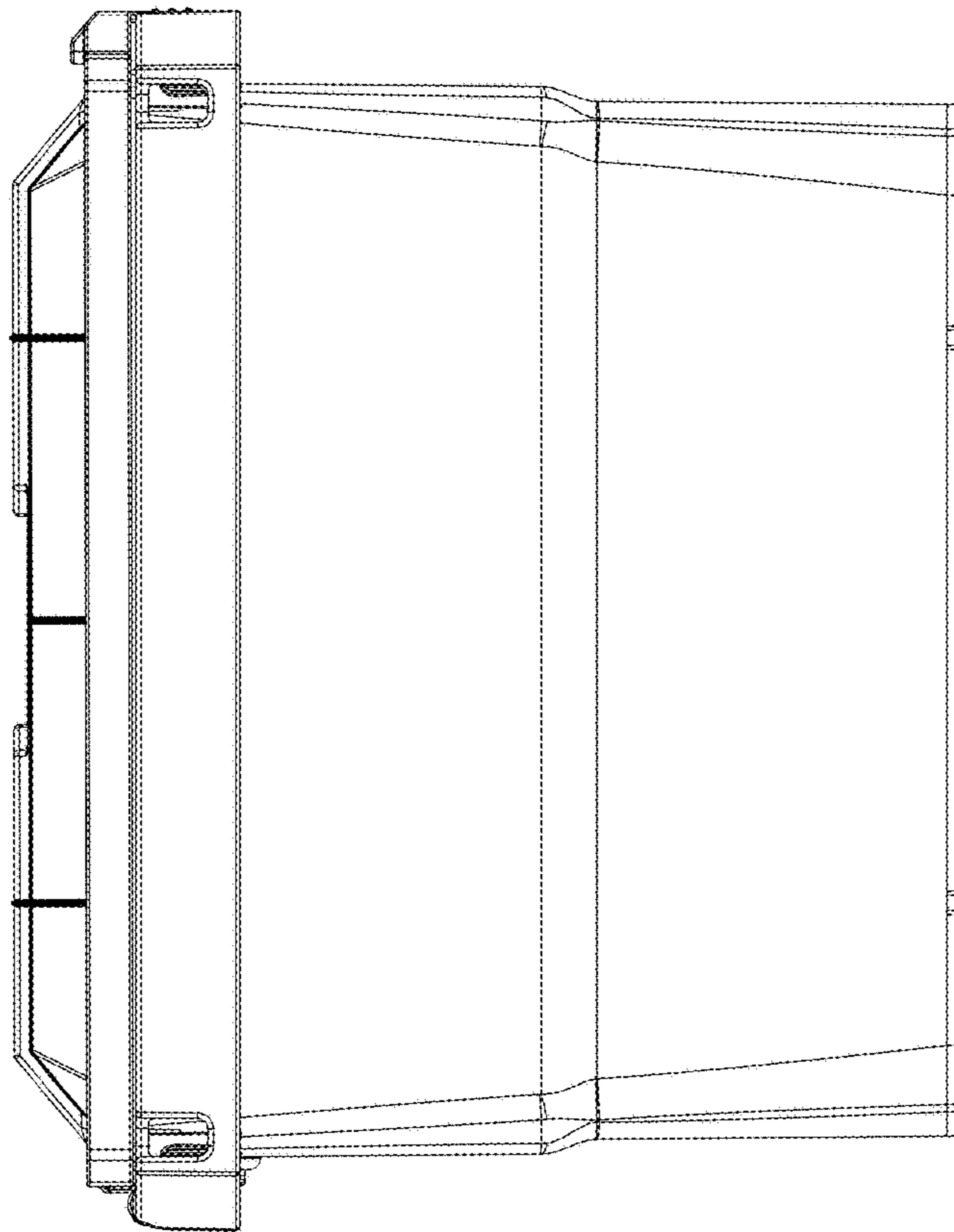


Fig. 3

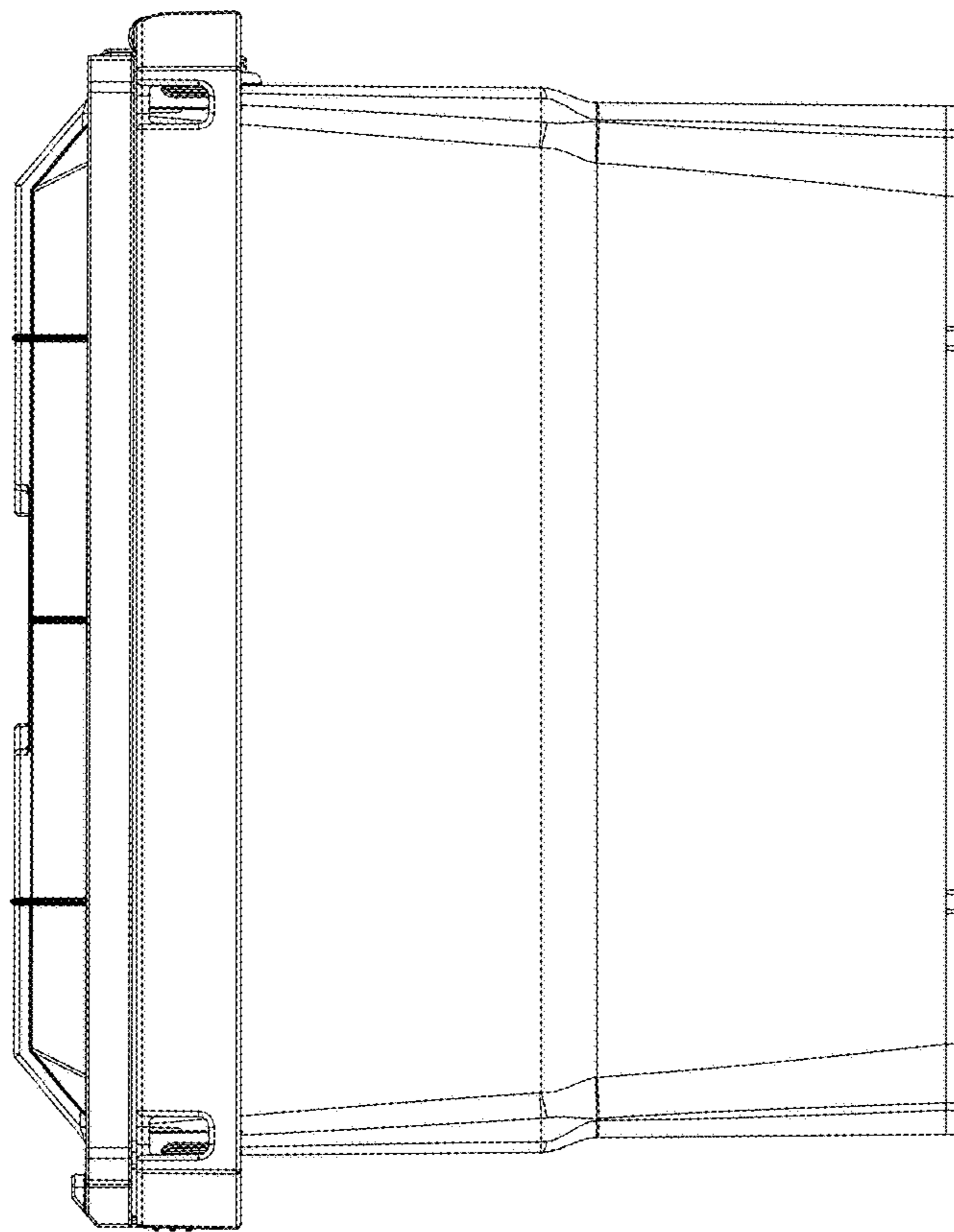


Fig. 4

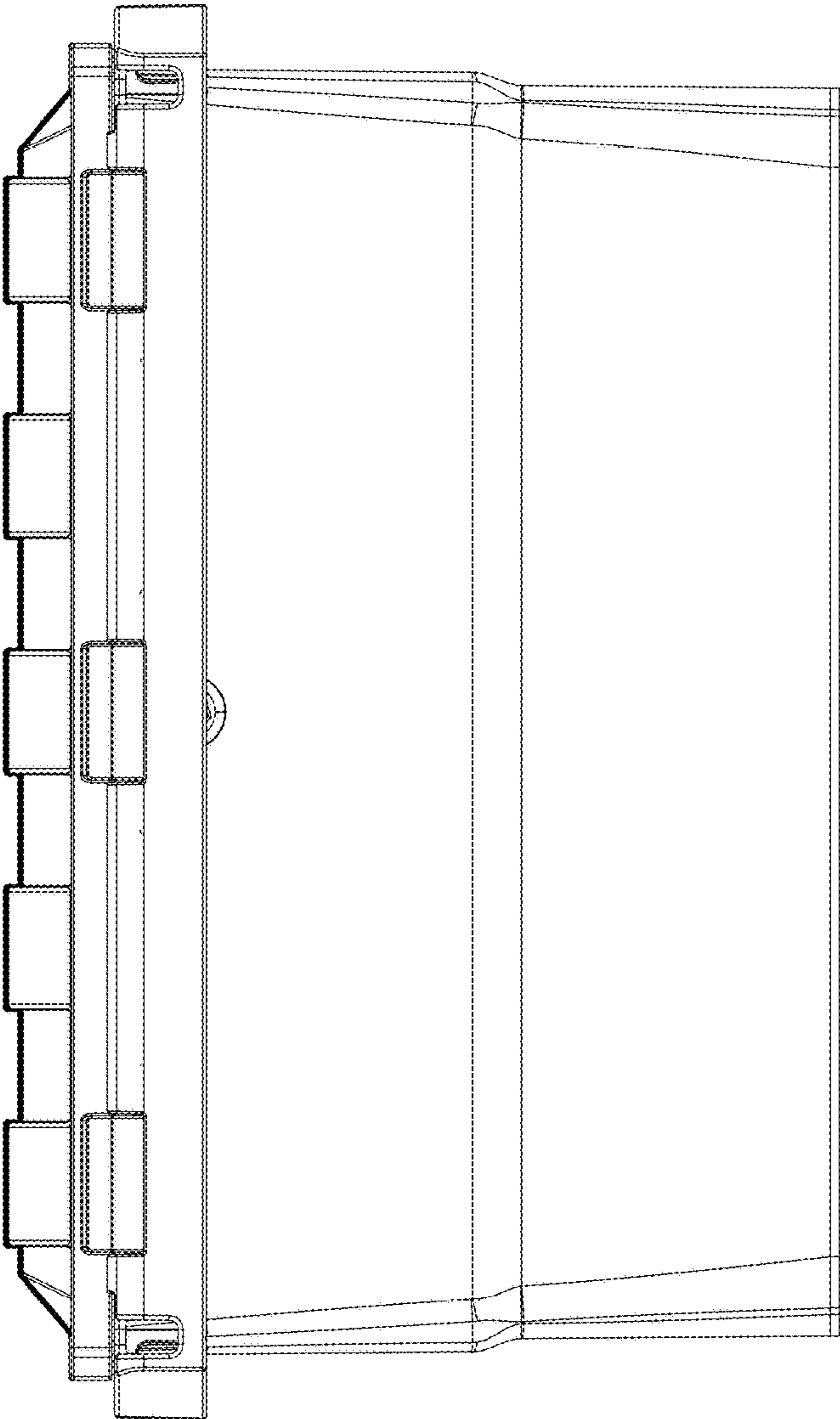


Fig. 5

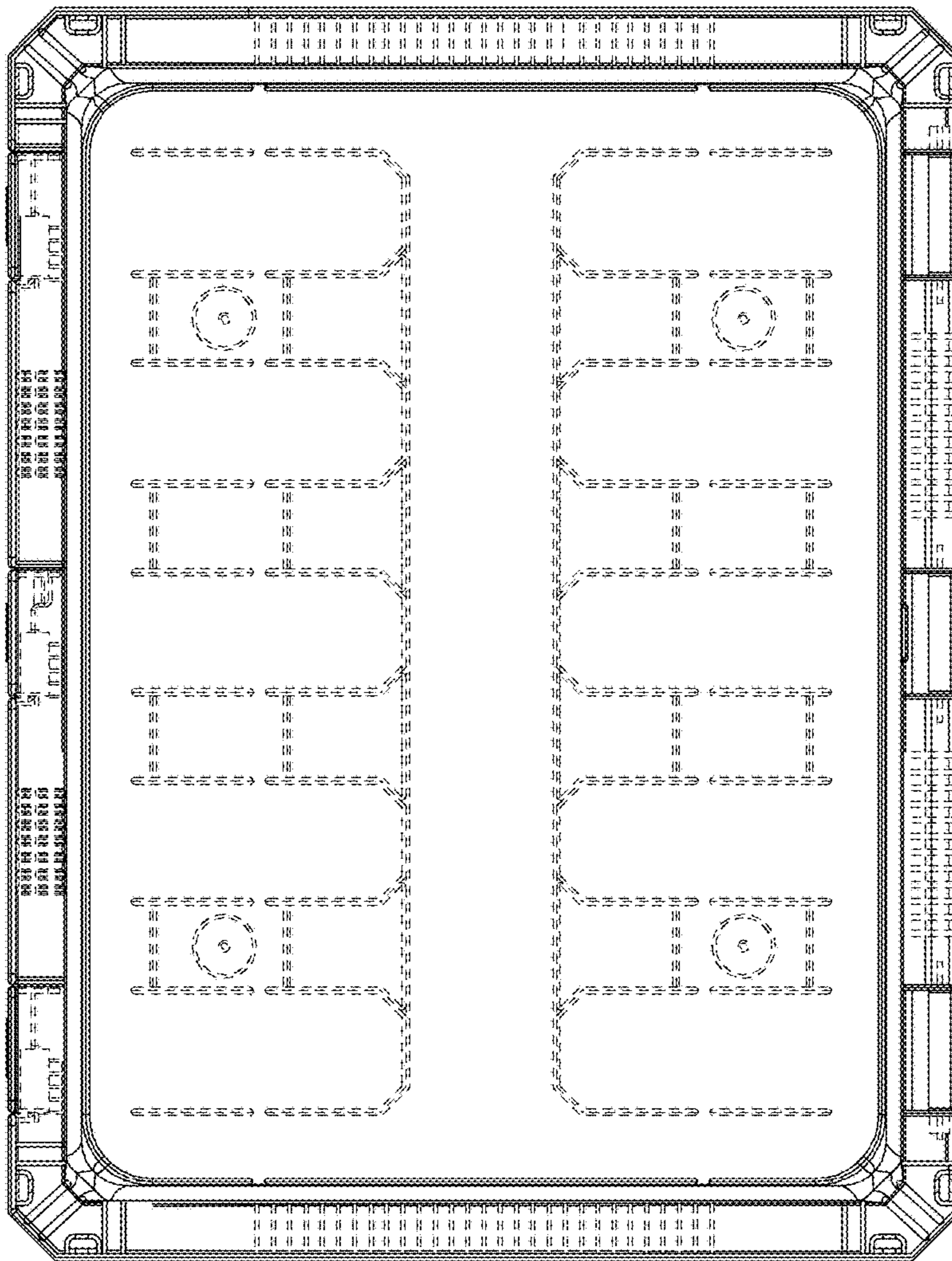


Fig. 6



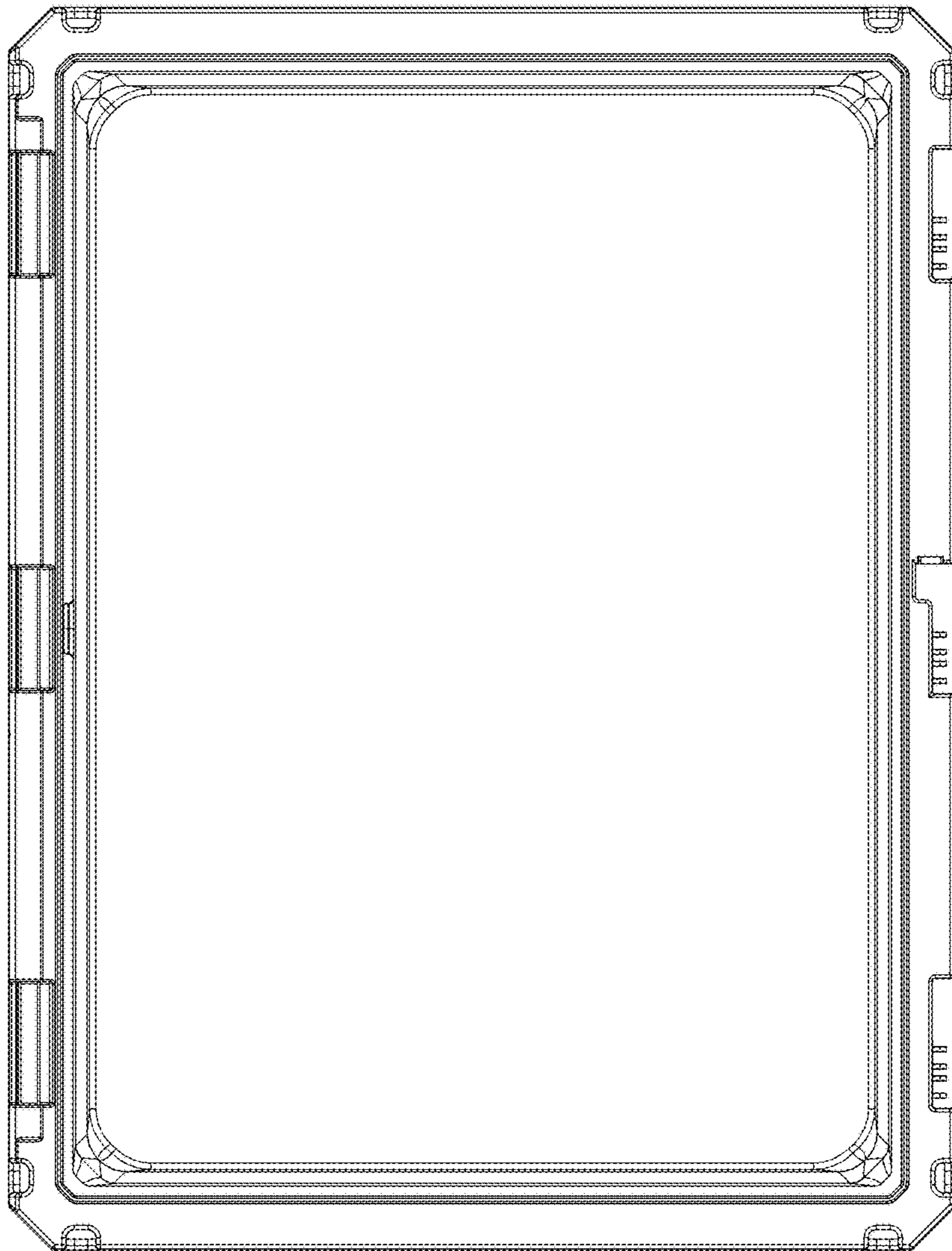


Fig. 7

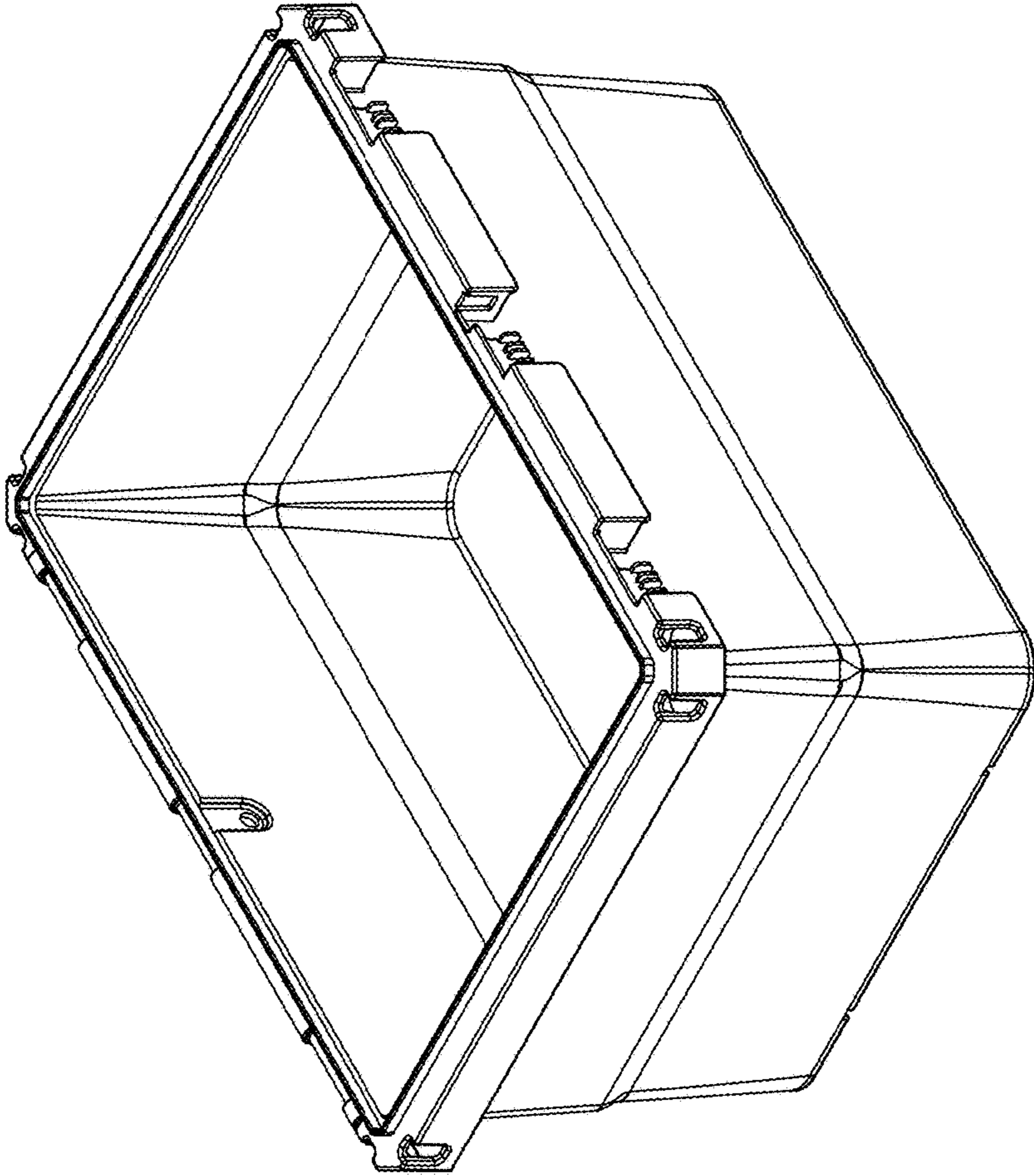


Fig. 8

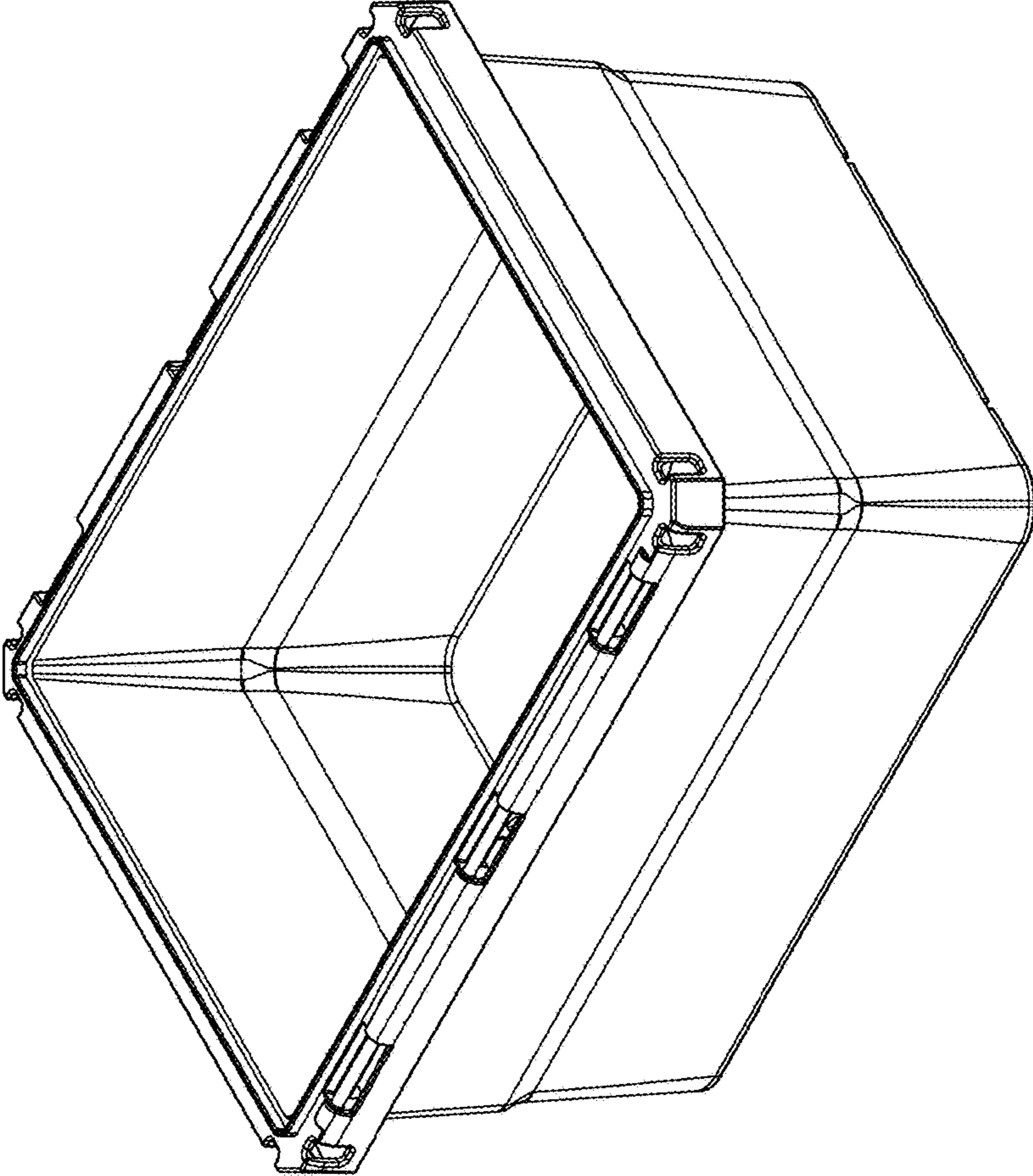


Fig. 9

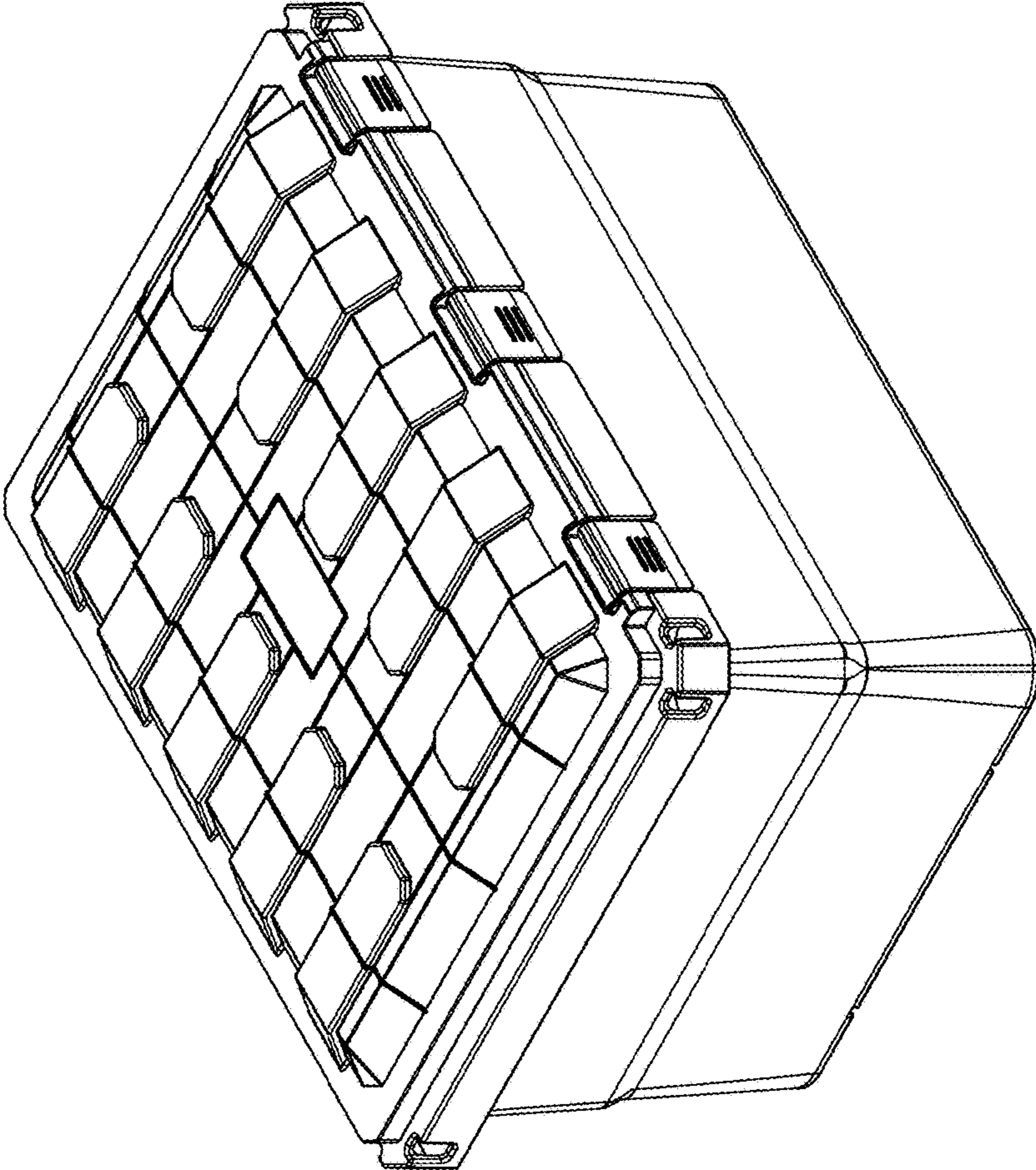


Fig. 10

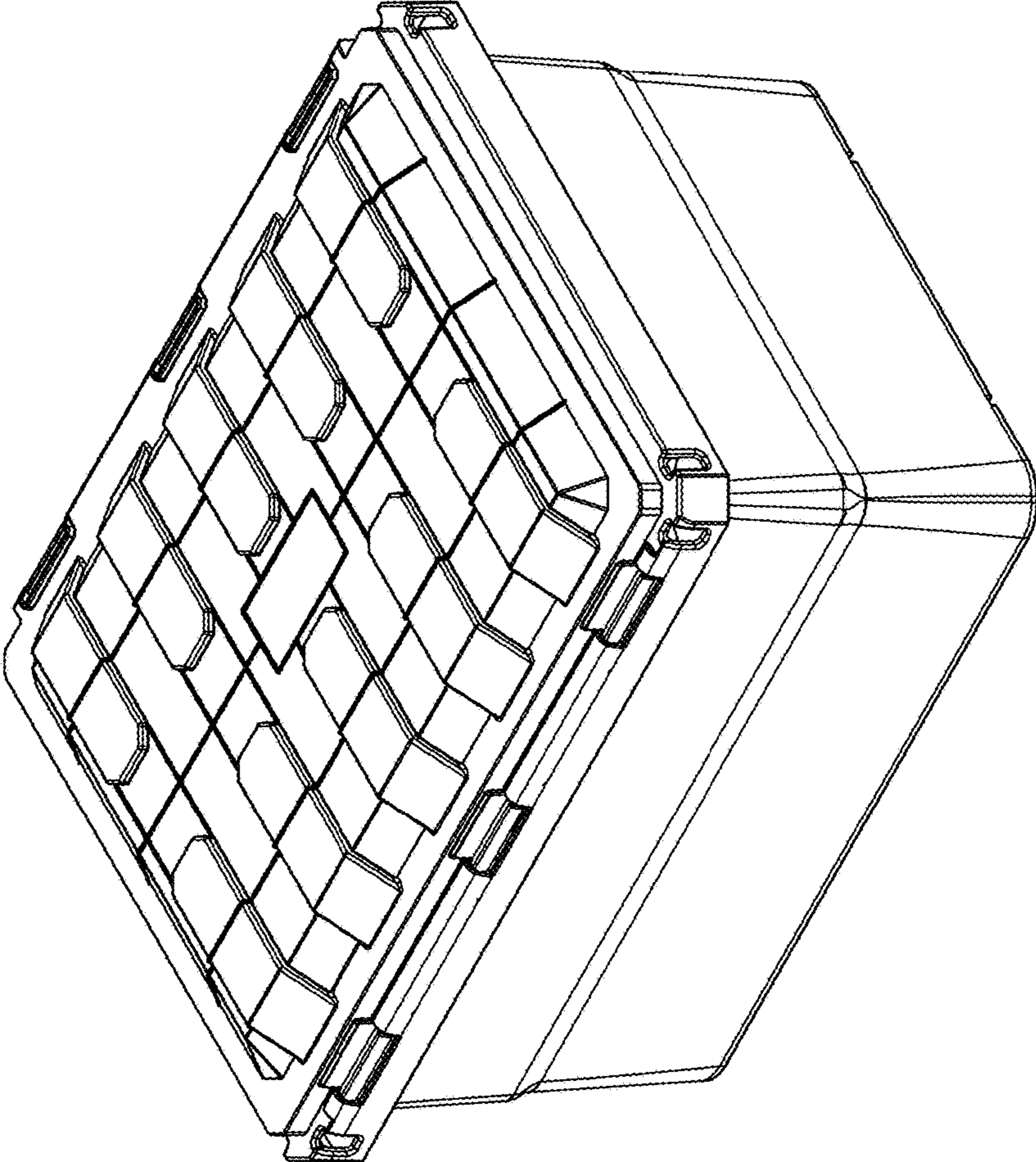


Fig. 11