



US00D848144S

(12) **United States Design Patent** (10) **Patent No.:** **US D848,144 S**  
**Cooke et al.** (45) **Date of Patent:** **\*\* May 14, 2019**

(54) **HANDBAG**

(71) Applicant: **THE BIG O, LLC**, Dallas, TX (US)

(72) Inventors: **Jane Dunne Cooke**, Dallas, TX (US);  
**Mary Caroline Nix**, Dallas, TX (US)

(73) Assignee: **THE BIG O, LLC**, Dallas, TX (US)

(\*\*) Term: **15 Years**

(21) Appl. No.: **29/666,944**

(22) Filed: **Oct. 17, 2018**

**Related U.S. Application Data**

(63) Continuation-in-part of application No. 29/632,809, filed on Jan. 10, 2018, and a continuation-in-part of application No. 29/632,812, filed on Jan. 10, 2018.

(51) **LOC (11) Cl.** ..... **03-01**

(52) **U.S. Cl.**  
USPC ..... **D3/232**

(58) **Field of Classification Search**  
USPC ..... D3/232-233, 240-243, 245-246  
CPC ..... A45C 1/024; A45C 3/06  
See application file for complete search history.

(56) **References Cited**

**U.S. PATENT DOCUMENTS**

D621,610 S *	8/2010	Parsley .....	D3/232
D693,117 S *	11/2013	Maier .....	D3/232
D742,635 S *	11/2015	Coleman .....	D3/232
D811,732 S *	3/2018	Barclay et al. ....	D3/232
D811,733 S *	3/2018	Barclay et al. ....	D3/232

\* cited by examiner

*Primary Examiner* — Holly H Baynham

(74) *Attorney, Agent, or Firm* — Haynes and Boone, LLP

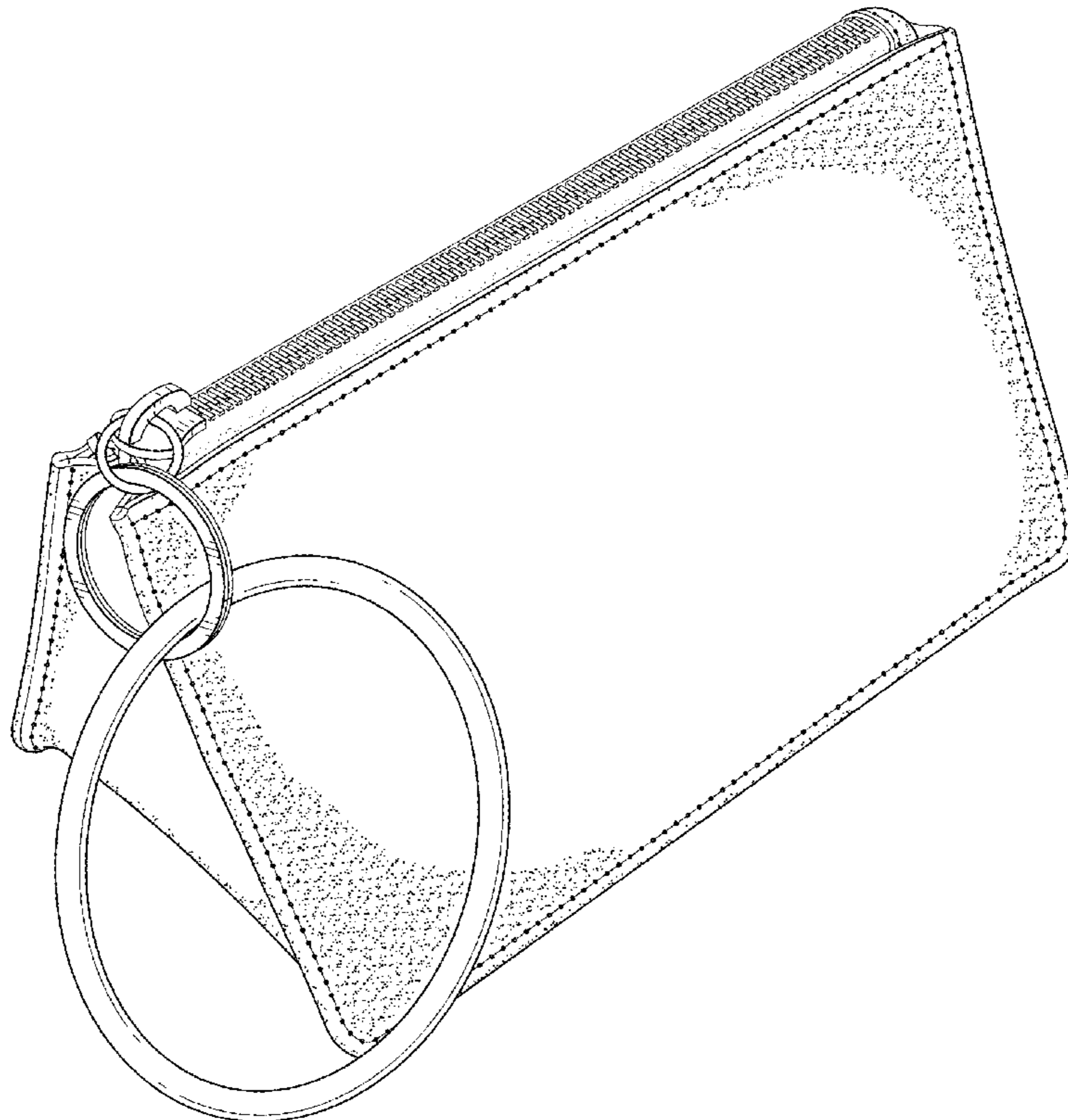
(57) **CLAIM**

The ornamental design for a handbag, as shown and described.

**DESCRIPTION**

FIG. 1 is a perspective view of a handbag showing our new design;  
FIG. 2 is a front elevational view thereof;  
FIG. 3 is a rear elevational view thereof;  
FIG. 4 is a right side elevational view thereof;  
FIG. 5 is a left side elevational view thereof;  
FIG. 6 is a top plan view thereof;  
FIG. 7 is a bottom plan view thereof;  
FIG. 8 is another perspective view thereof; and,  
FIG. 9 is yet another perspective view thereof.

**1 Claim, 8 Drawing Sheets**



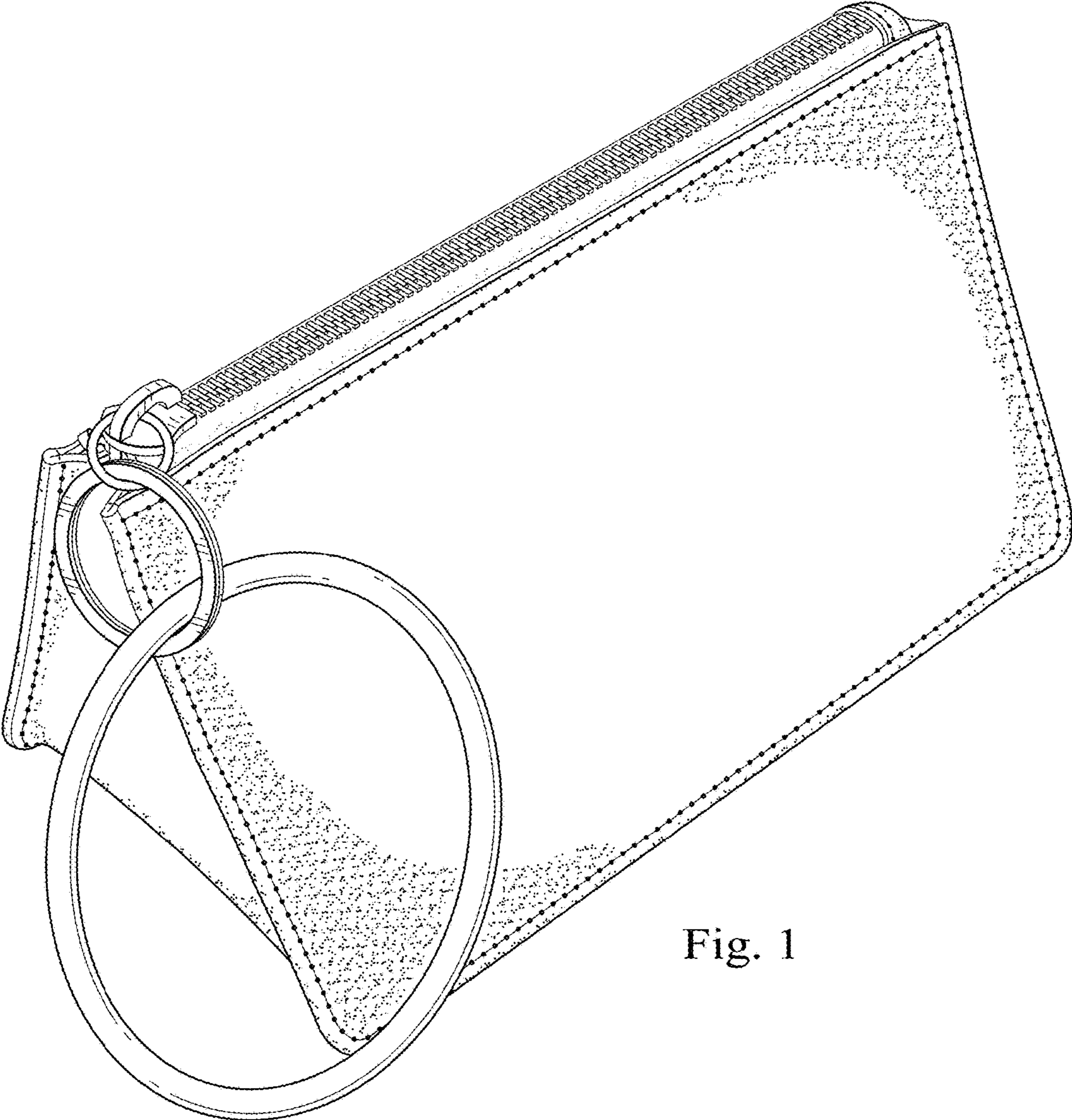


Fig. 1

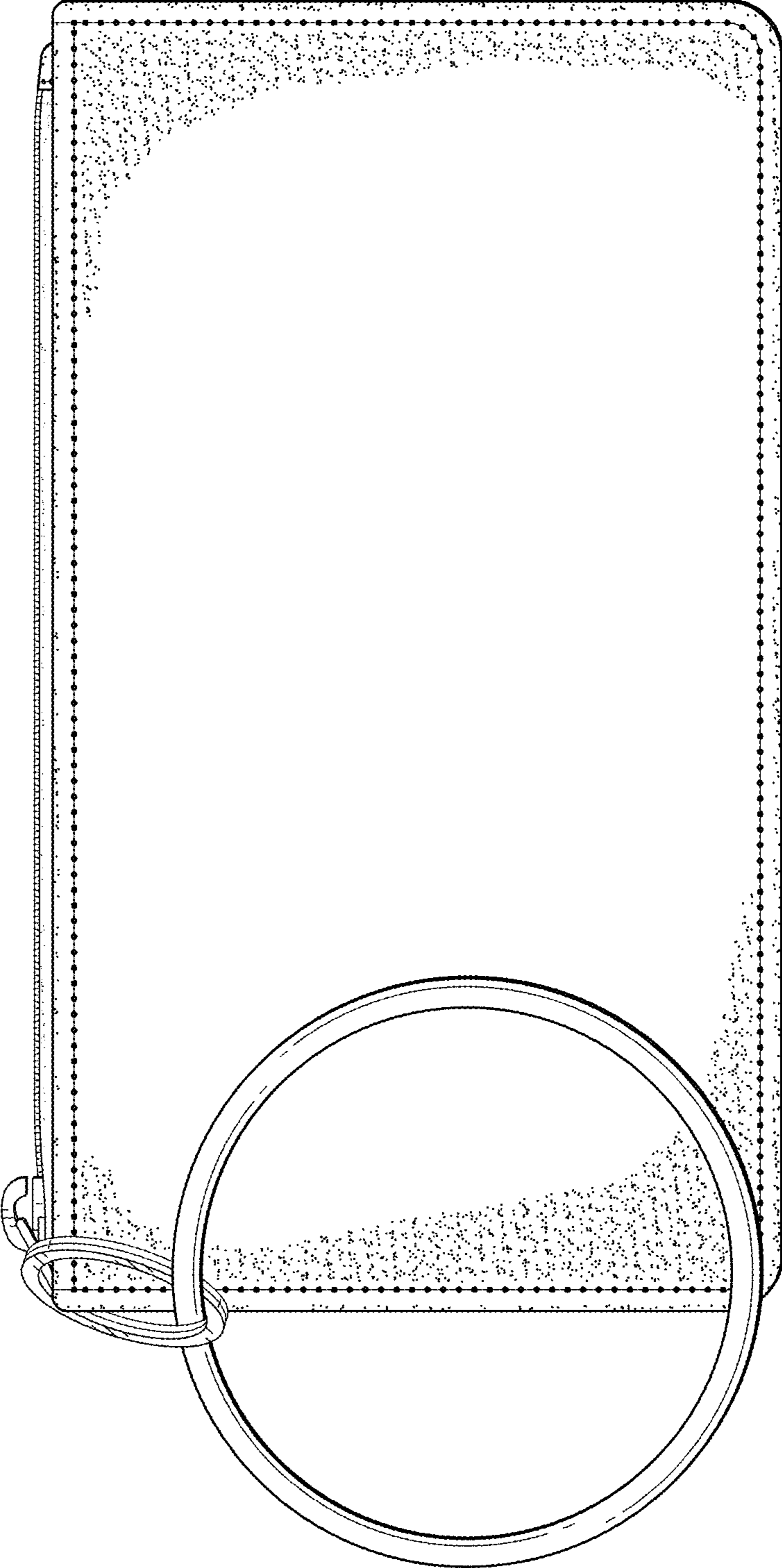


Fig. 2

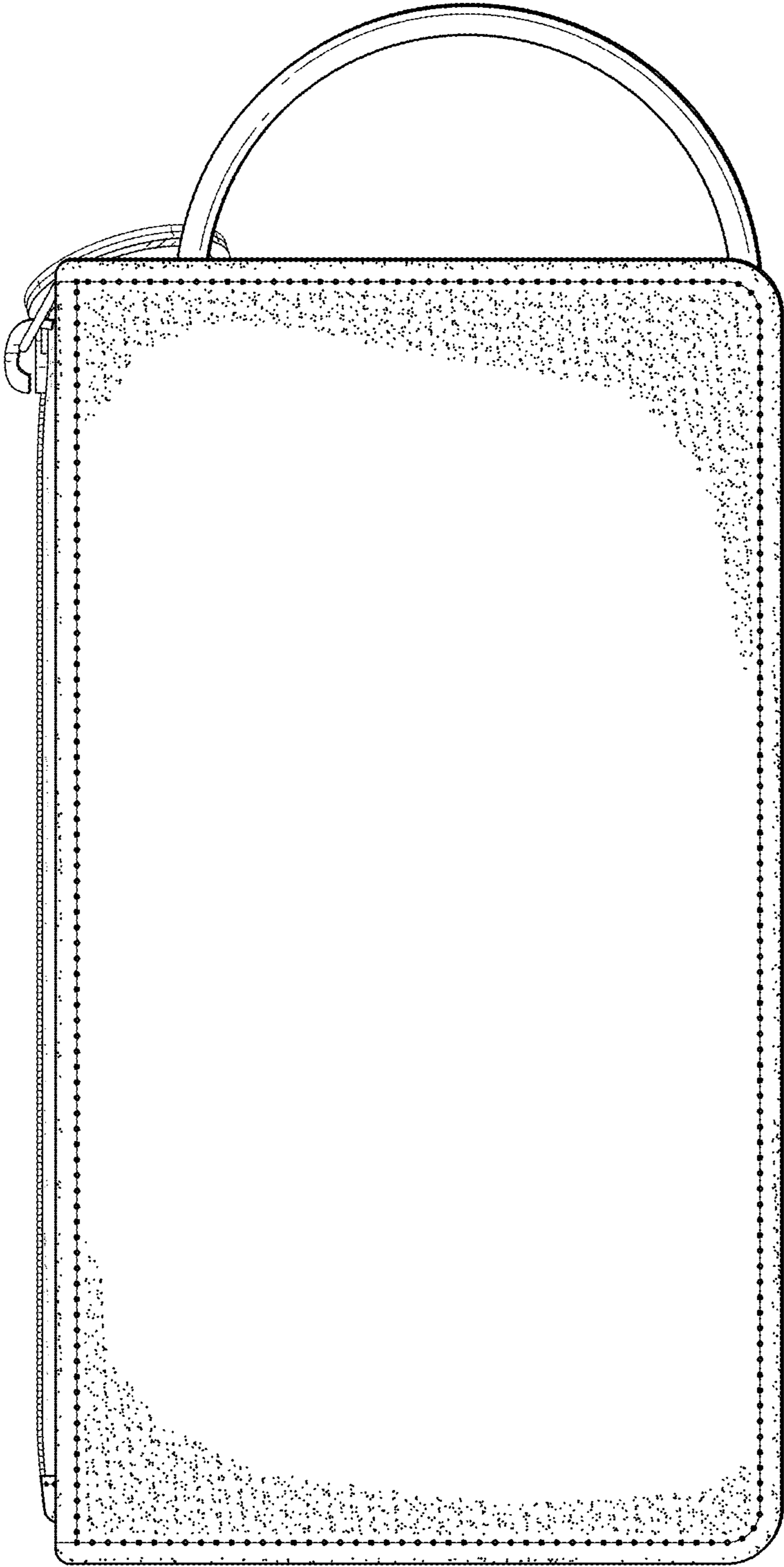


Fig. 3

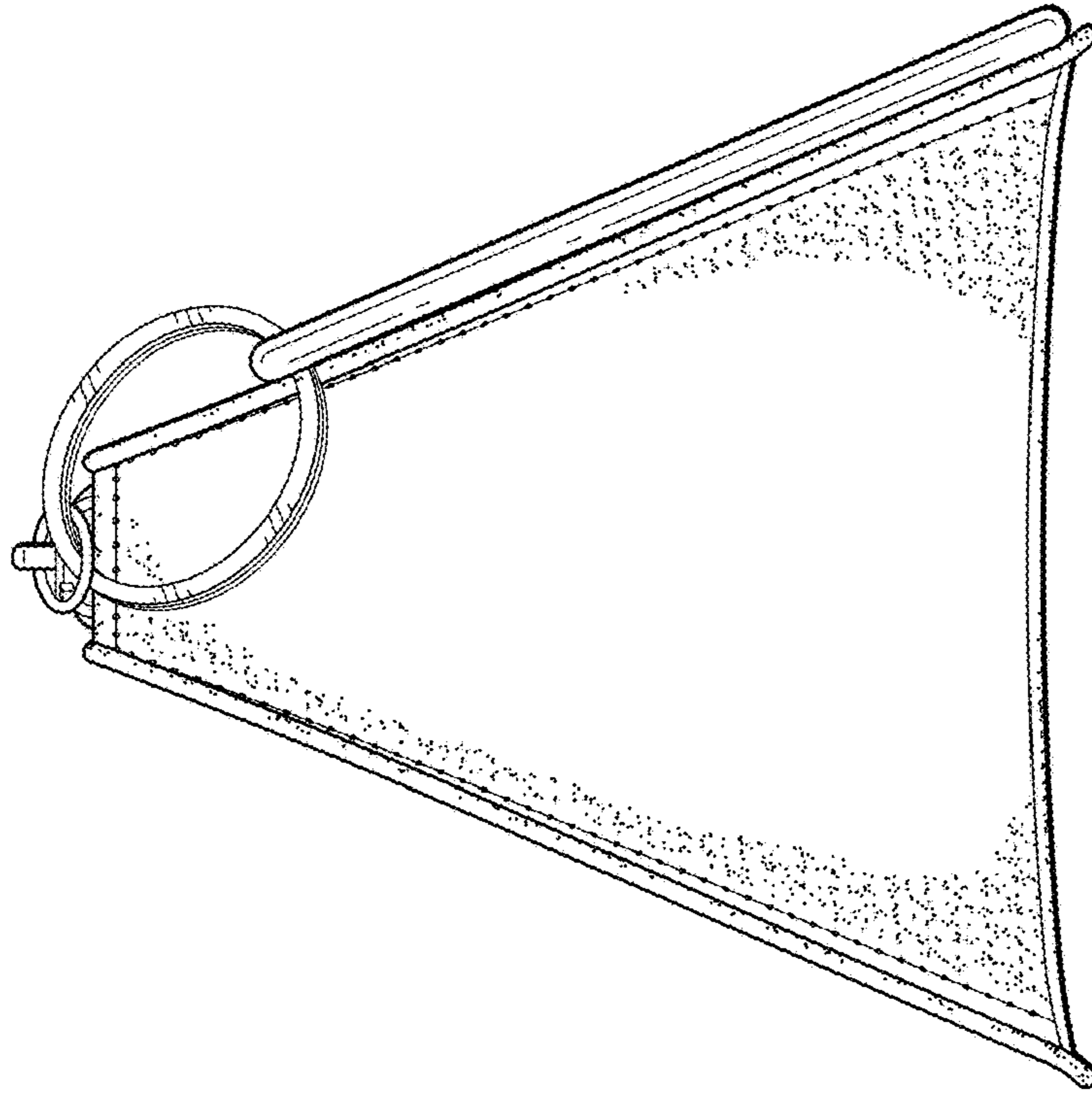


Fig. 5

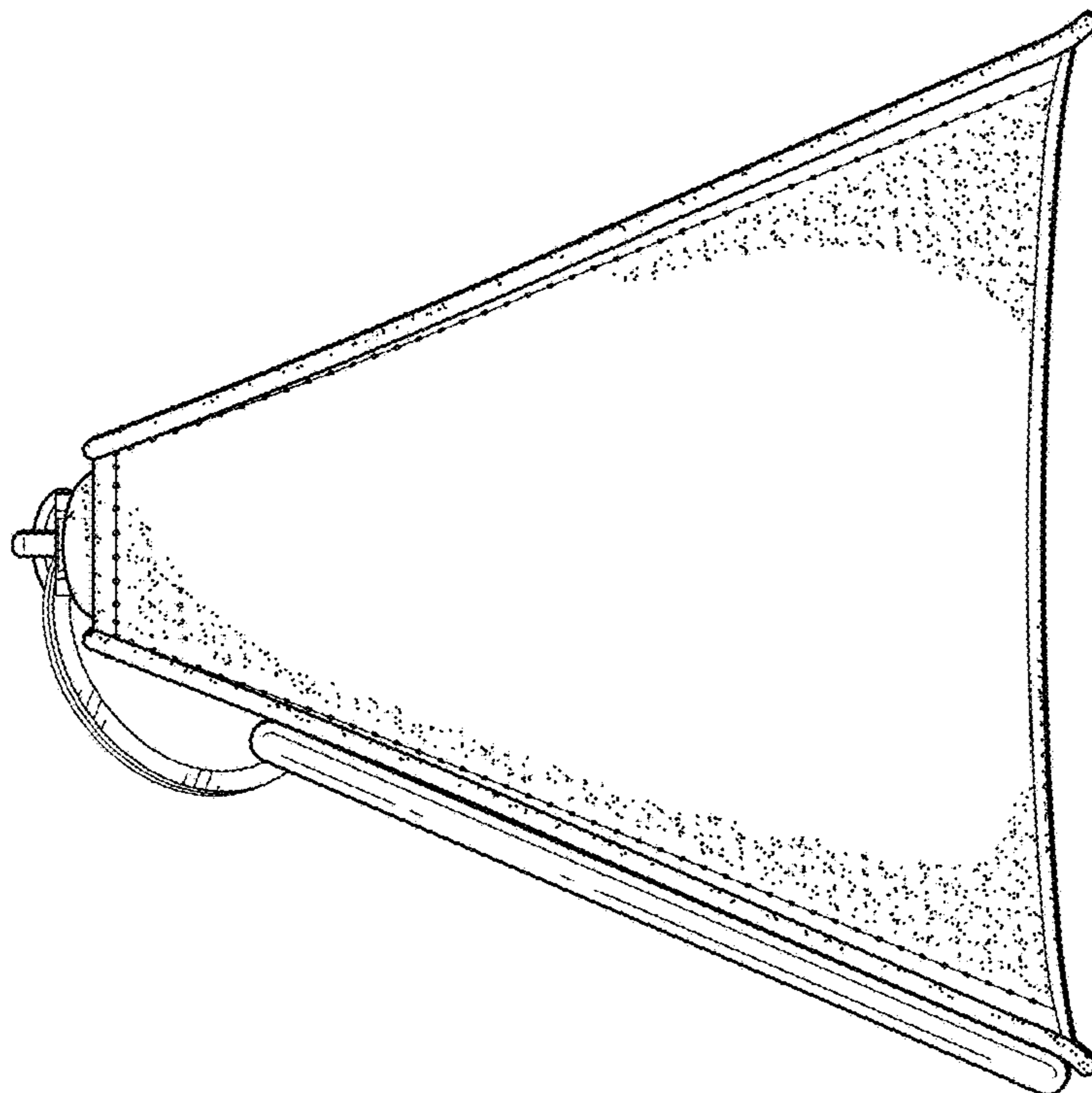


Fig. 4

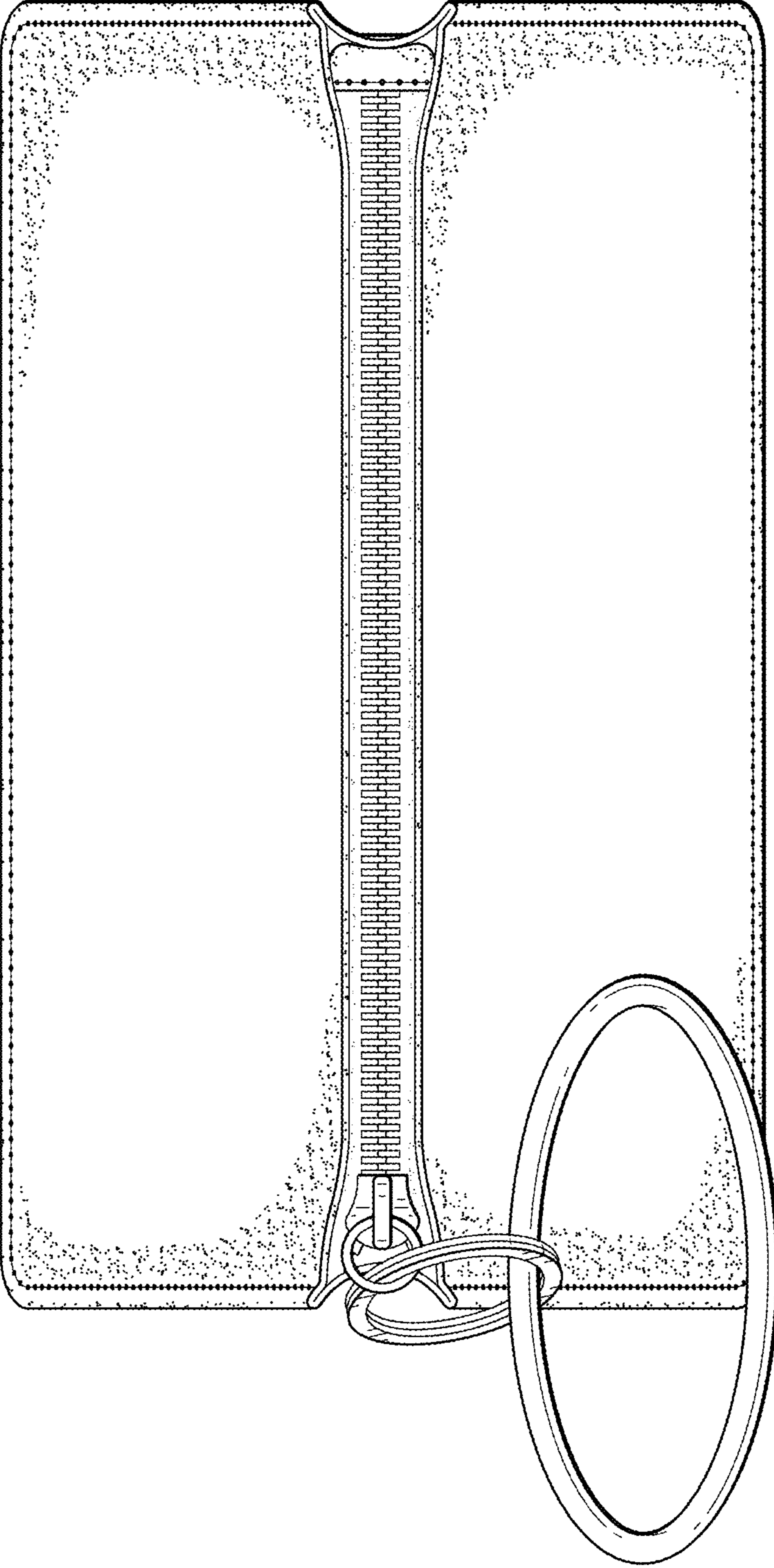


Fig. 6

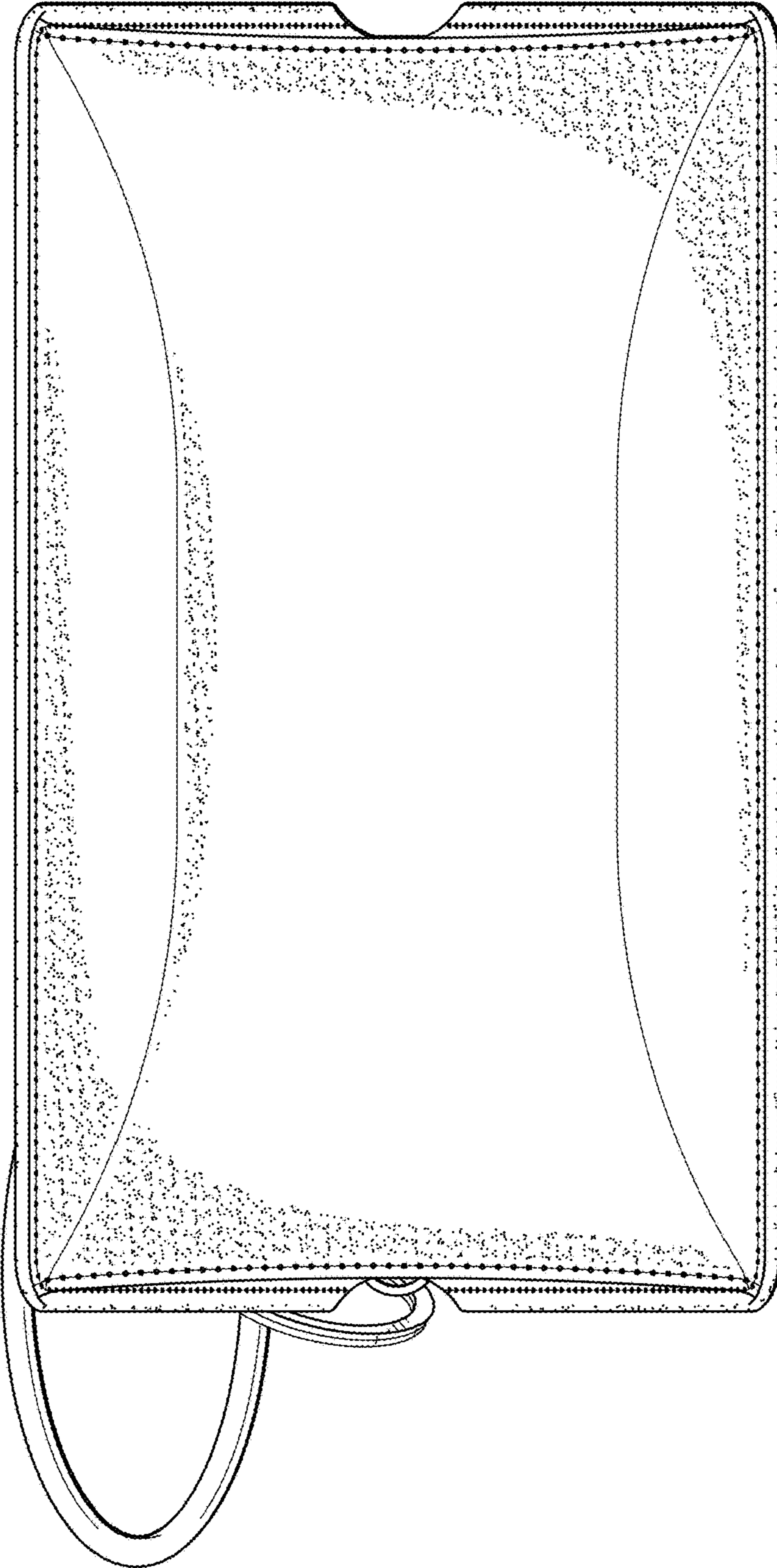


Fig. 7

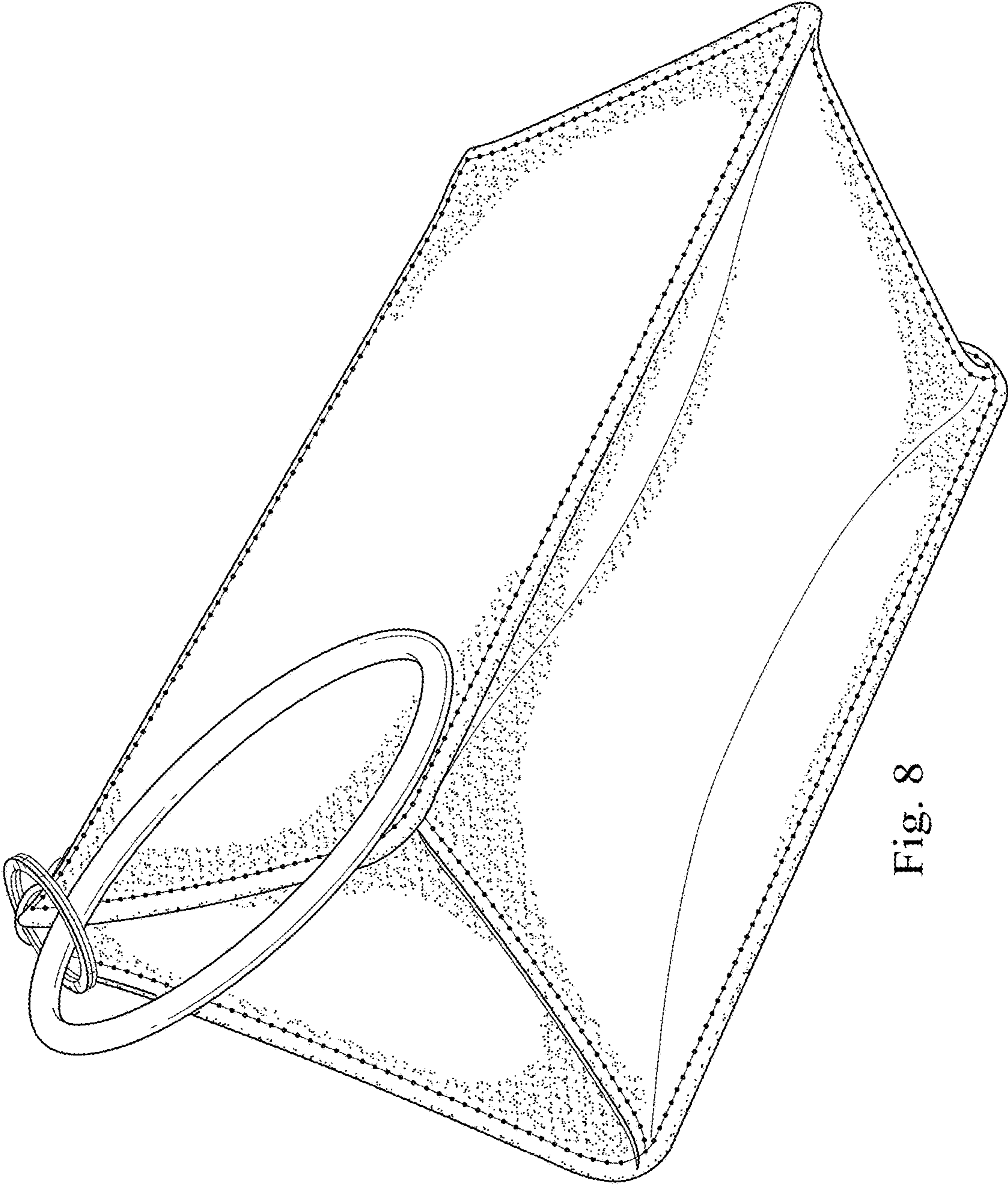


Fig. 8



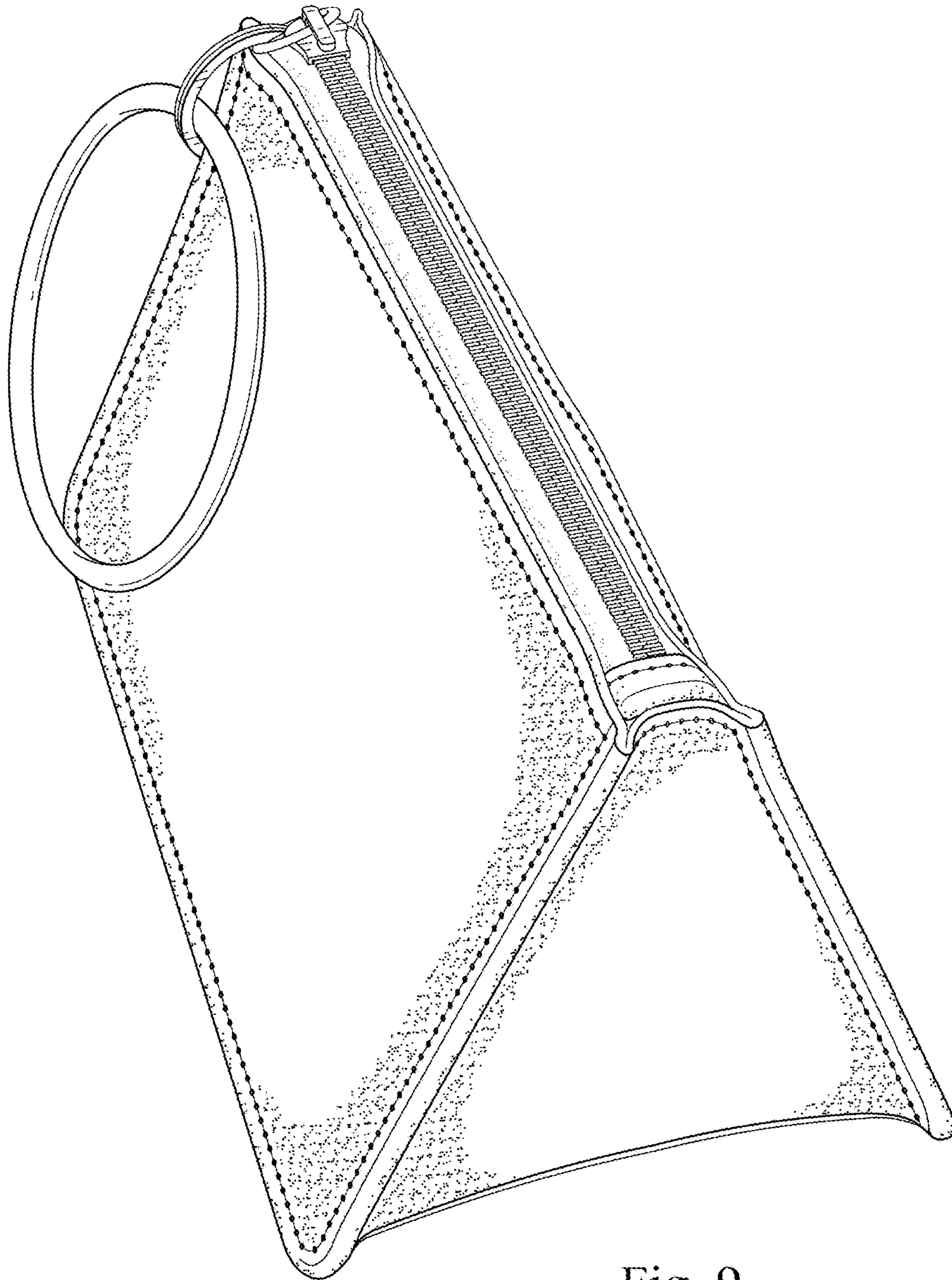


Fig. 9

UNITED STATES PATENT AND TRADEMARK OFFICE  
**CERTIFICATE OF CORRECTION**

PATENT NO. : D848,144 S  
APPLICATION NO. : 29/666944  
DATED : May 14, 2019  
INVENTOR(S) : Jane Dunne Cooke and Mary Caroline Nix

Page 1 of 1

It is certified that error appears in the above-identified patent and that said Letters Patent is hereby corrected as shown below:

On the Title Page

Please add the following statement:

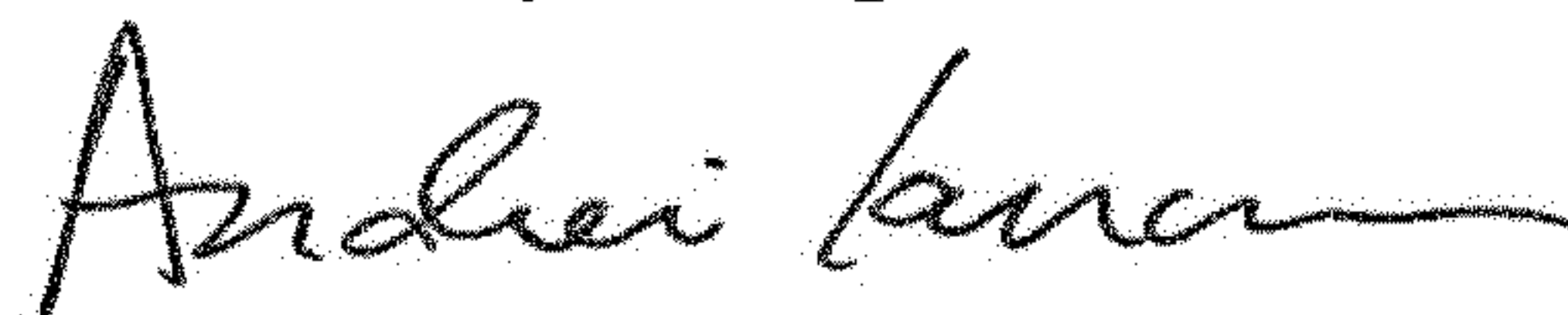
-- Cross-Reference to Related Applications

This application is a continuation-in-part of U.S. Patent Application No. 29/632,809, filed January 10, 2018 bearing Attorney Docket No. 52815.26US01, the entire disclosure of which is hereby incorporated herein by reference.

This application is a continuation-in-part of U.S. Patent Application No. 29/632,812, filed January 10, 2018 bearing Attorney Docket No. 52815.27US01, the entire disclosure of which is hereby incorporated herein by reference.

This application is related to U.S. Patent Application No. 62/615,611, filed January 10, 2018 bearing Attorney Docket No. 52815.28PV01, the entire disclosure of which is hereby incorporated herein by reference. --

Signed and Sealed this  
Third Day of September, 2019



Andrei Iancu  
*Director of the United States Patent and Trademark Office*