



US00D848139S

(12) **United States Design Patent** (10) **Patent No.:** **US D848,139 S**
Ma (45) **Date of Patent:** **** May 14, 2019**

(54) **UMBRELLA FRAME**

(71) Applicant: **Oliver Joen-an Ma**, Arcadia, CA (US)

(72) Inventor: **Oliver Joen-an Ma**, Arcadia, CA (US)

(**) Term: **15 Years**

(21) Appl. No.: **29/527,133**

(22) Filed: **May 15, 2015**

(51) **LOC (11) Cl.** **03-03**

(52) **U.S. Cl.**
USPC **D3/10**

(58) **Field of Classification Search**
USPC D3/5, 6, 10, 12, 13; D23/266; D25/122, D25/123
CPC ... A45B 19/00; A45B 2019/004; A45B 19/04; A45B 19/06; A45B 19/08; A45B 19/10; A45B 21/00; A45B 2023/0056; A45B 2023/0062; A45B 25/02; A45B 25/06
See application file for complete search history.

(56) **References Cited**

U.S. PATENT DOCUMENTS

D10,284 S	10/1877	Kaldenberg
685,183 A	7/1901	Skelton
911,169 A	2/1909	Smith
919,954 A	4/1909	Riehl
941,952 A	11/1909	Riehl
950,913 A	3/1910	Hartzell
956,396 A	4/1910	Mills et al.

(Continued)

FOREIGN PATENT DOCUMENTS

DE	3820573	8/1989
DE	10 2008 034985	2/2010

(Continued)

OTHER PUBLICATIONS

Activa Leisure, 2010 Product Catalog.

(Continued)

Primary Examiner — John Windmuller

Assistant Examiner — Steven J Czyz

(74) *Attorney, Agent, or Firm* — Knobbe Martens Olson & Bear LLP

(57) **CLAIM**

The ornamental design for an umbrella frame, as shown and described.

DESCRIPTION

FIG. 1 is a perspective view of one of two umbrella frame members of an umbrella frame, according to the new design; FIG. 2 is a cross-sectional view of one of the two umbrella frame members of the umbrella frame, taken along the line 2-2 as shown in FIG. 10;

FIG. 3 is a cross-sectional view of one of the two umbrella frame members of the umbrella frame, taken along the line 3-3 as shown in FIG. 10;

FIG. 4 is a first side elevation view of one of the two umbrella frame members of the umbrella frame;

FIG. 5 is a second side elevation view thereof;

FIG. 6 is a third side elevation view thereof;

FIG. 7 is a fourth side elevation view thereof;

FIG. 8 is a perspective view of the umbrella frame shown in use in a cantilever umbrella;

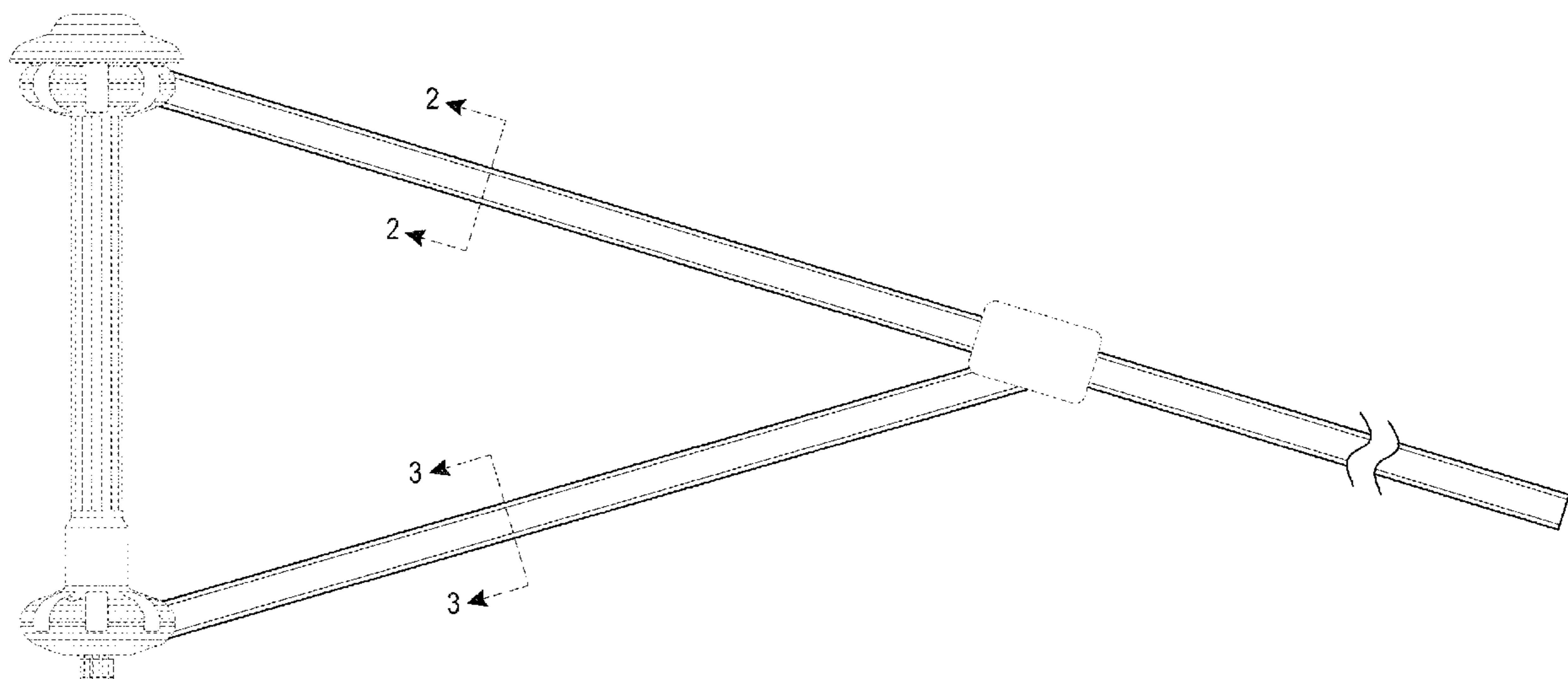
FIG. 9 is a detail view taken from FIG. 8; and,

FIG. 10 is a side elevation view of the umbrella frame shown in FIG. 8, with a portion of the unclaimed environment removed for ease of disclosure.

The broken lines depict portions of the article and environment that form no part of the claimed design.

The ends of the umbrella frame segments in FIGS. 1 and 4-7 are shown broken away for ease of disclosure. The umbrella frame is shown broken away in the middle of FIG. 10 for ease of disclosure.

1 Claim, 9 Drawing Sheets



(56)

References Cited

U.S. PATENT DOCUMENTS

1,264,799	A *	4/1918	Howard et al.	A45B 25/06 135/30	D465,915	S	11/2002	Earnshaw
1,535,993	A *	4/1925	Garfinkel	A45B 25/02 135/29	6,478,037	B2	11/2002	Tung
2,469,637	A	5/1949	Evans et al.		6,575,182	B2	6/2003	Tung
2,475,406	A *	7/1949	Russell	A45B 17/00 135/74	6,575,183	B2	6/2003	Tung
3,120,238	A	2/1964	Glatz		D477,458	S	7/2003	Goldwitz
3,145,720	A	8/1964	Torii		6,588,438	B1	7/2003	Steiner
3,340,352	A	9/1967	Wladimiro et al.		D479,797	S	9/2003	Wall
D219,877	S *	2/1971	Thompson et al.	D23/266	6,619,306	B2	9/2003	Ma
D230,115	S	1/1974	Beams		6,662,815	B2	12/2003	Tung
D277,934	S	3/1985	Beckrot		D487,843	S *	3/2004	Ko D3/10
D278,029	S	3/1985	Suponitsky		D497,479	S	10/2004	Yu
4,576,191	A	3/1986	Schultes et al.		6,837,255	B2	1/2005	Bunch et al.
4,586,525	A *	5/1986	Glatz	A45B 11/00 135/20.1	6,851,823	B2	2/2005	Bilotti
D284,920	S	8/1986	van Horn		D503,035	S *	3/2005	Ko D3/5
4,622,987	A	11/1986	Redl et al.		6,920,887	B2 *	7/2005	Lo A45B 19/10 135/29
4,674,523	A	6/1987	Glatz		D513,118	S	12/2005	Browne
4,811,670	A	3/1989	Kolvites et al.		D513,471	S	1/2006	Sato et al.
4,878,509	A	11/1989	Tung		D515,222	S *	2/2006	Kieffer D25/122
5,002,081	A	3/1991	Stromeyer		D517,307	S *	3/2006	Ko D3/10
5,029,596	A	7/1991	Tung		7,040,587	B2	5/2006	Thompson et al.
D320,111	S	9/1991	Ma		D525,721	S	7/2006	Landes
5,144,780	A *	9/1992	Gielsing	E04B 1/5831 135/114	D545,184	S	6/2007	Hanamura
5,161,909	A	11/1992	Crouse et al.		D549,285	S	8/2007	Chen
D331,462	S	12/1992	Kraus et al.		D549,557	S	8/2007	Mori et al.
5,184,639	A *	2/1993	Lee	A45B 23/00 135/28	D558,444	S	1/2008	Ma
5,275,186	A	1/1994	Liu		D563,780	S	3/2008	Pitcher
5,345,960	A *	9/1994	Tung	A45B 23/00 135/26	D565,944	S	4/2008	Pitcher
5,349,975	A	9/1994	Valdner		D566,382	S *	4/2008	Hermanson D3/10
5,433,233	A	7/1995	Shiran et al.		D568,040	S *	5/2008	Hermanson D3/10
D362,833	S	10/1995	McKelvey		D575,143	S	8/2008	Kuo et al.
5,499,644	A	3/1996	Geniele		D586,549	S *	2/2009	Hermanson D3/10
5,553,634	A *	9/1996	Yang	A45B 19/10 135/25.3	D586,550	S *	2/2009	Hermanson D3/10
5,566,699	A	10/1996	Kou		D593,653	S	6/2009	Mitrani
5,584,564	A	12/1996	Phyle		D596,482	S	7/2009	Marinucci
5,611,364	A	3/1997	Woods et al.		D606,379	S	12/2009	Hughes
5,720,311	A	2/1998	Lin		7,647,936	B1	1/2010	Chen
5,740,823	A	4/1998	Lin et al.		D623,396	S	9/2010	He
5,785,069	A	7/1998	Glatz		D625,509	S	10/2010	Quinn
D397,054	S	8/1998	Brantley et al.		8,136,541	B2 *	3/2012	Beaulieu A45B 25/02 135/28
D398,443	S	9/1998	Bolle		D658,977	S	5/2012	Riddell et al.
5,809,734	A *	9/1998	Turner	E04C 3/36 182/134	D669,555	S	10/2012	Jaworski et al.
D408,621	S *	4/1999	Kuo	D3/10	D679,581	S	4/2013	Liu et al.
5,899,210	A	5/1999	Letherby et al.		D696,104	S	12/2013	Kampl
D410,862	S	6/1999	Milhov		D719,342	S	12/2014	Ma
5,937,882	A	8/1999	Harbaugh		D731,166	S *	6/2015	Ma D3/5
5,964,235	A	10/1999	Wang		D738,609	S	9/2015	Ma
6,014,980	A	1/2000	Glatz		9,220,325	B2	12/2015	Ma
6,056,344	A *	5/2000	Forsyth	A45F 5/1046 294/137	D748,464	S	2/2016	Kury
D434,215	S	11/2000	Lin		9,271,551	B2	3/2016	Ma
6,152,156	A	11/2000	Tung		D782,179	S	3/2017	Ma
D434,556	S	12/2000	Lin		D808,634	S	1/2018	Ma
6,220,261	B1	4/2001	Glatz		D808,635	S	1/2018	Ma
6,311,705	B1	11/2001	Ma		D808,636	S	1/2018	Ma
6,311,706	B1	11/2001	Sato		D809,283	S	2/2018	Ma
6,354,042	B1 *	3/2002	Kuo	A45B 25/06 52/28	D809,284	S	2/2018	Ma
6,371,686	B1 *	4/2002	Wu	A45B 19/04 135/25.1	D809,775	S	2/2018	Ma
6,374,840	B1 *	4/2002	Ma	A45B 25/16 135/22	D814,172	S	4/2018	Ma
6,386,215	B1 *	5/2002	Chang	A45B 23/00 135/20.3	2002/0083969	A1	7/2002	Tung
6,418,949	B1 *	7/2002	Lin	A45B 19/04 135/25.1	2003/0015230	A1	1/2003	Glatz
					2004/0031513	A1	2/2004	Bunch et al.
					2004/0055627	A1	3/2004	Moga
					2004/0055628	A1	3/2004	Yu
					2004/0069333	A1	4/2004	Ma
					2004/0154525	A1 *	8/2004	Wirth B64F 1/20 116/1
					2004/0182429	A1 *	9/2004	Chen A45B 17/00 135/15.1
					2005/0115599	A1	6/2005	You
					2005/0241687	A1	11/2005	Ko
					2007/0113878	A1	5/2007	Ko
					2007/0209691	A1	9/2007	Lin
					2008/0149153	A1	6/2008	Chang
					2009/0014041	A1	1/2009	Li
					2009/0260664	A1 *	10/2009	Ma A45B 25/02 135/19.5
					2010/0059094	A1 *	3/2010	Ma A45B 25/02 135/28

(56)

References Cited

U.S. PATENT DOCUMENTS

2010/0139724	A1 *	6/2010	Lai	A45B 25/02 135/29
2010/0139725	A1	6/2010	Lai	
2010/0212705	A1	8/2010	Tung	
2011/0017249	A1	1/2011	Ma	
2011/0061694	A1 *	3/2011	Vanderminden, Sr.	A45B 19/00 135/20.3
2013/0152984	A1 *	6/2013	Chou	A45B 25/02 135/15.1
2013/0305476	A1	11/2013	Smets et al.	
2014/0020725	A1 *	1/2014	Ma	A45B 25/02 135/29
2014/0096803	A1	4/2014	Siegenthaler	
2014/0150833	A1 *	6/2014	Ma	A45B 25/02 135/29

FOREIGN PATENT DOCUMENTS

EP	1700536	9/2006
EP	2103230	9/2009
EP	2845509	3/2015

OTHER PUBLICATIONS

Operation Manual Easy Sun Parasol Sunshade (Issue: Jul. 2004) pp. 1-17.

Treasure Garden, Inc., Collections 2015, Product Catalog, including front and rear covers.

Extended European Search Report in Application No. 14183987.8, dated Oct. 15, 2014 in 6 pages.

* cited by examiner

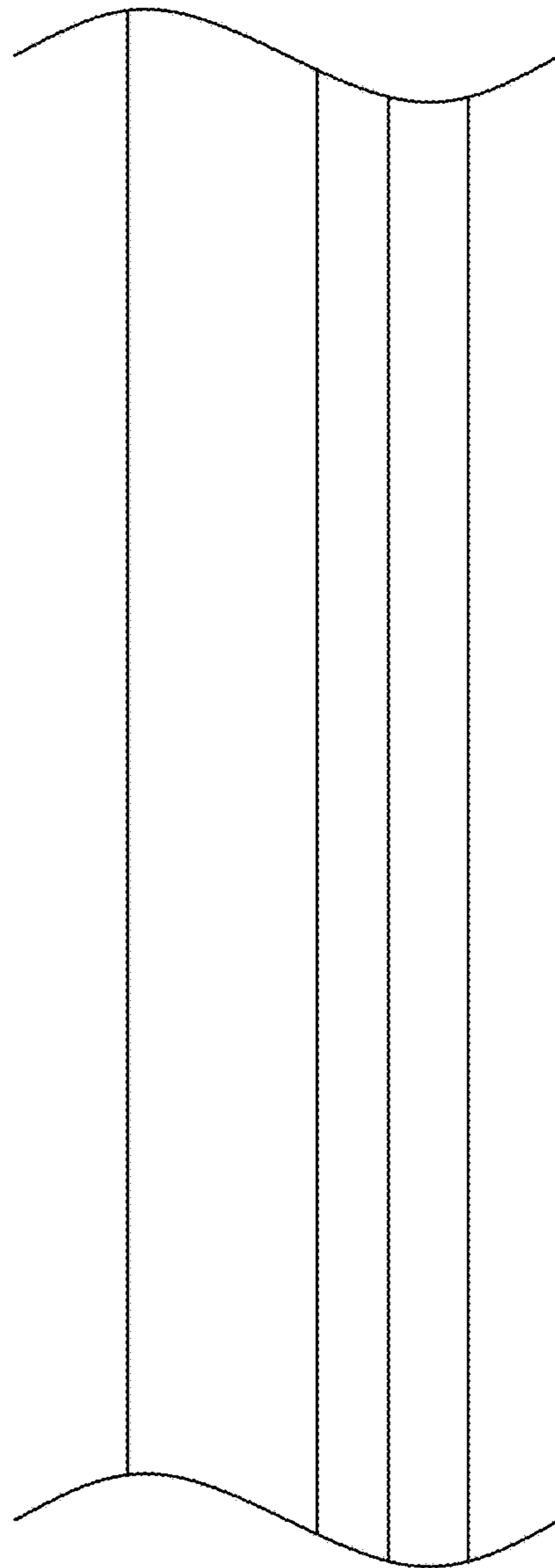


FIG. 1

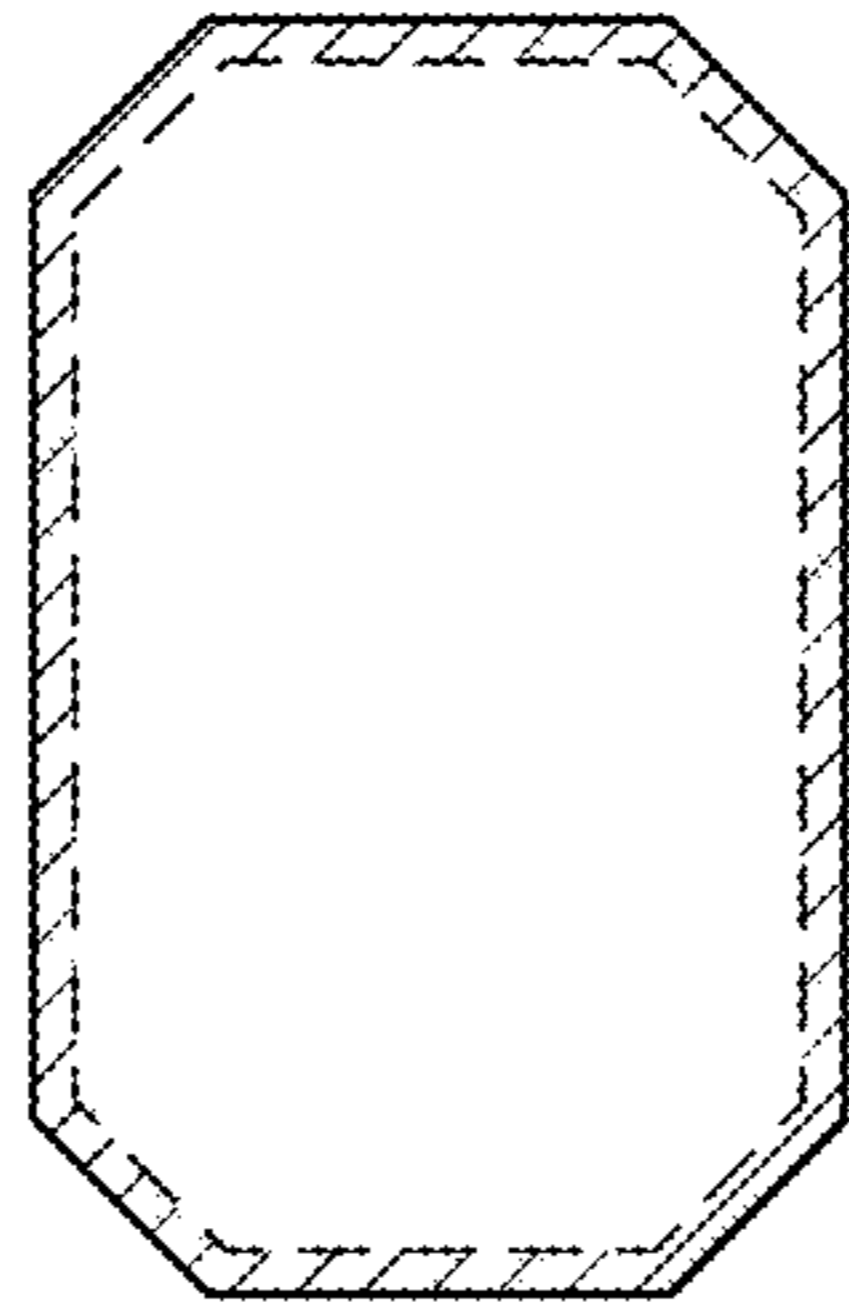


FIG. 2

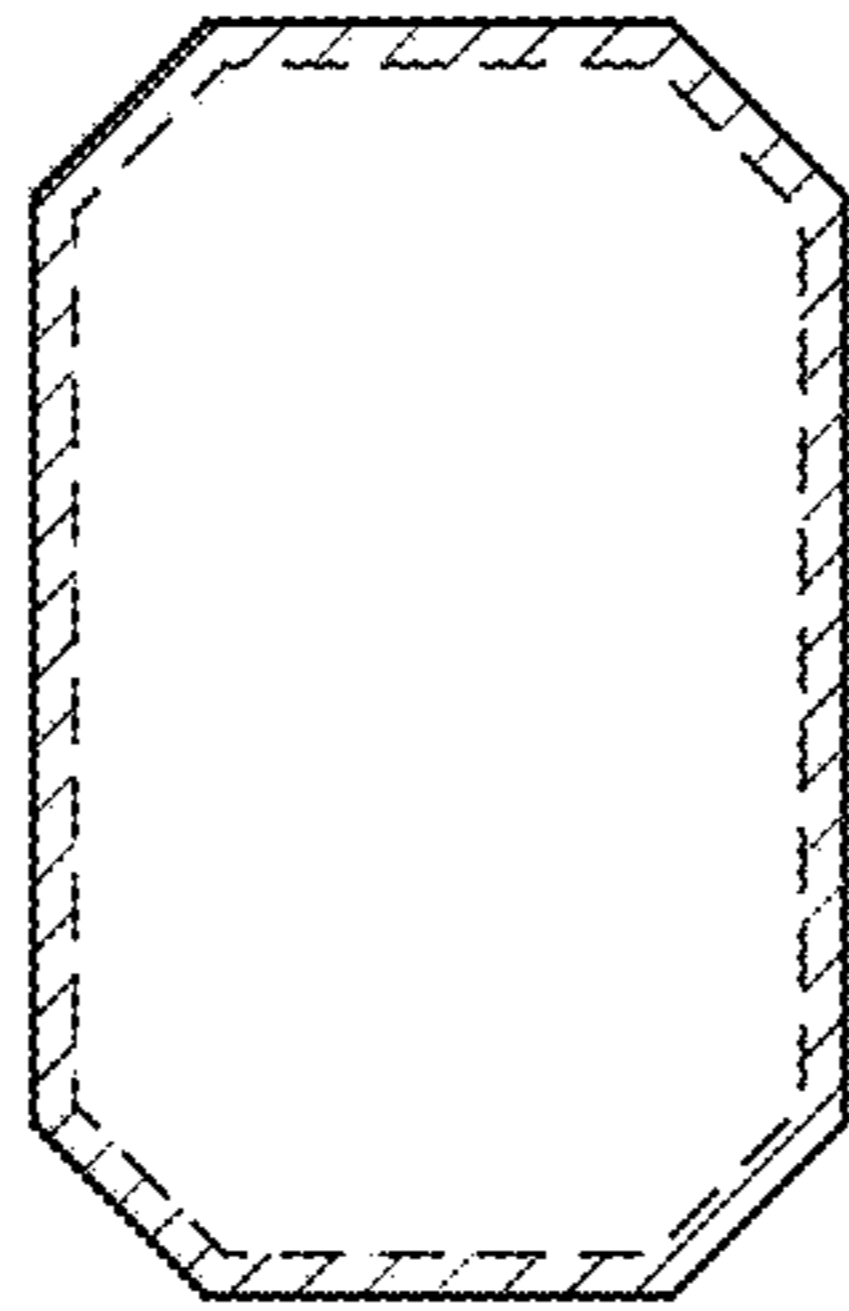


FIG. 3

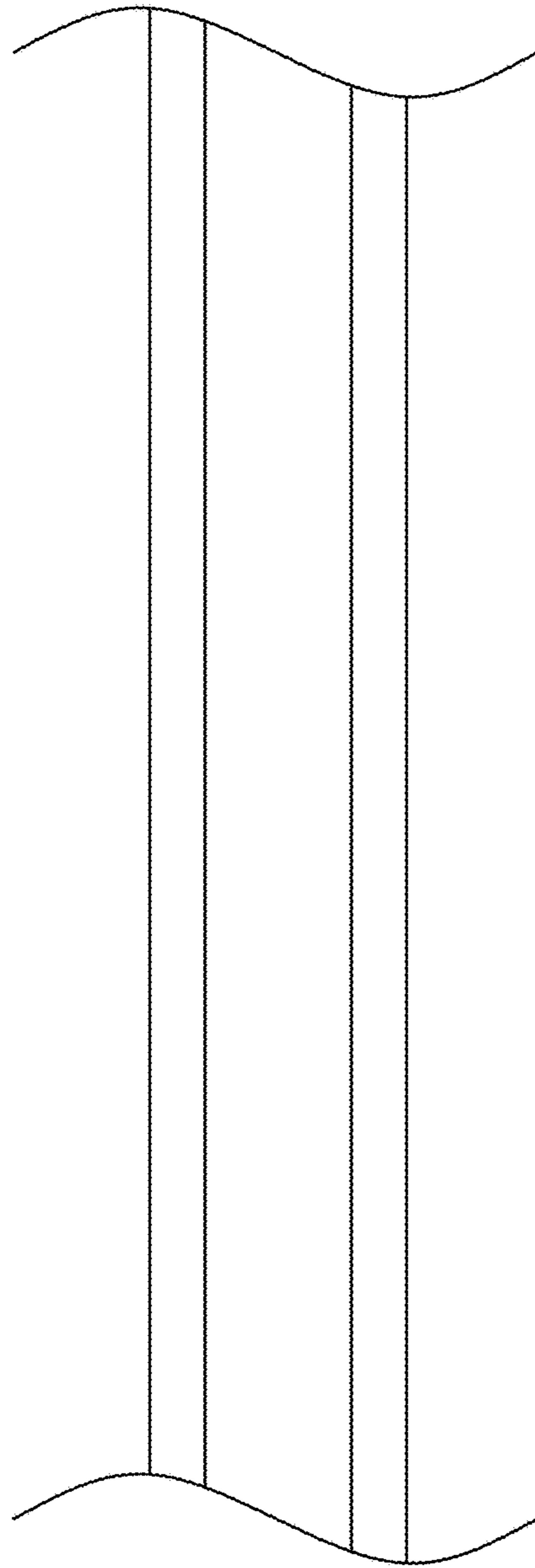


FIG. 4

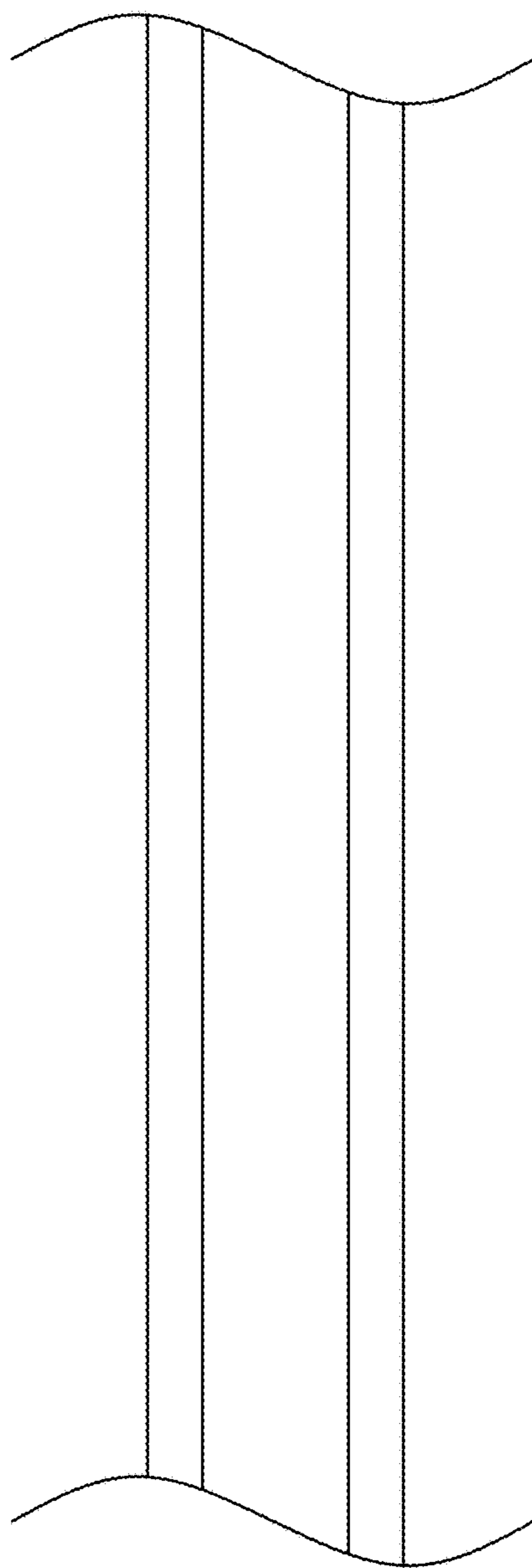


FIG. 5

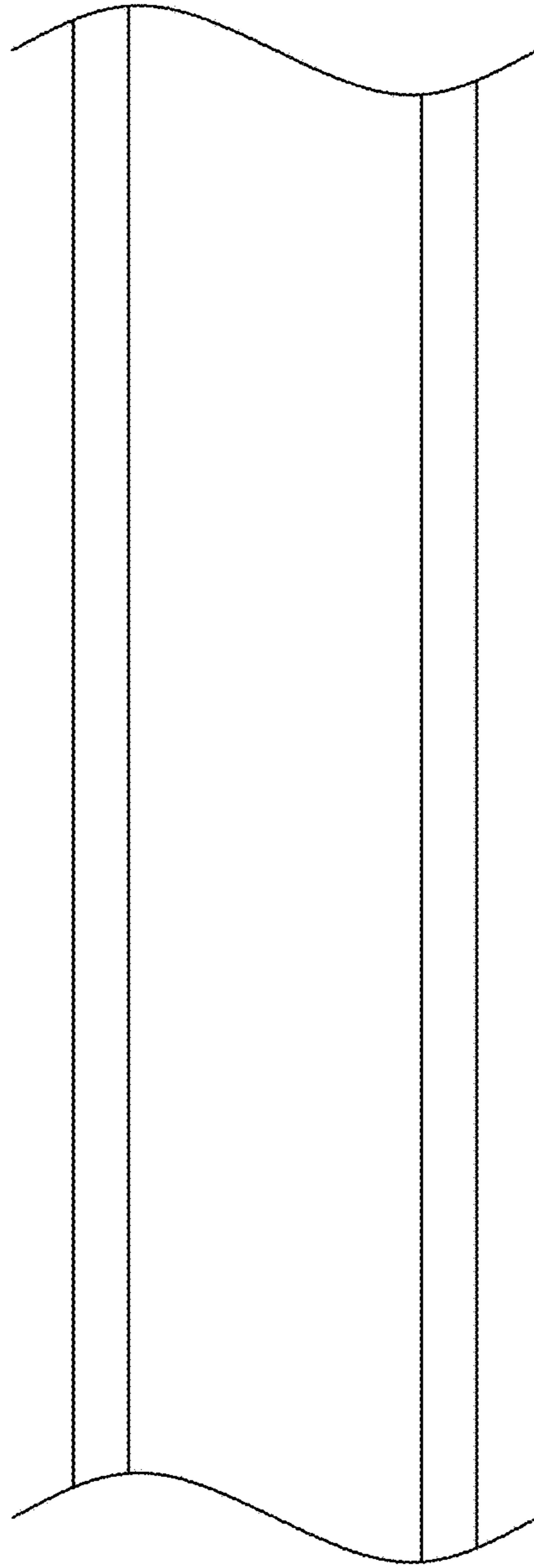


FIG. 6

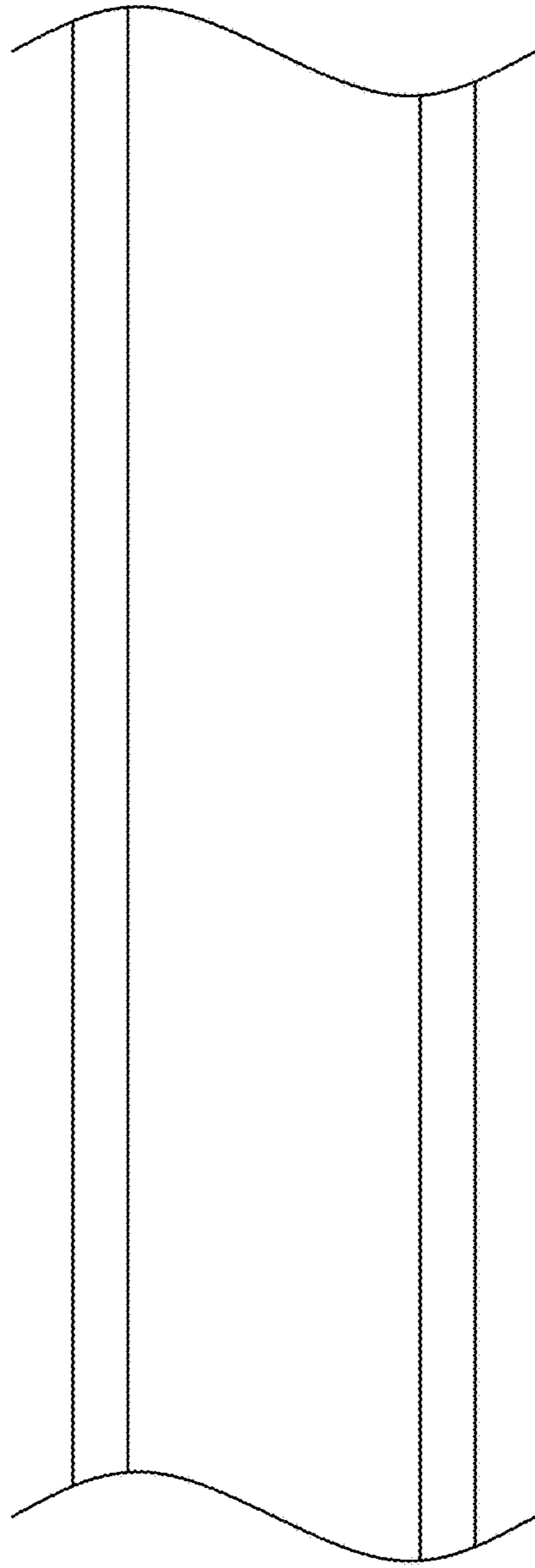


FIG. 7

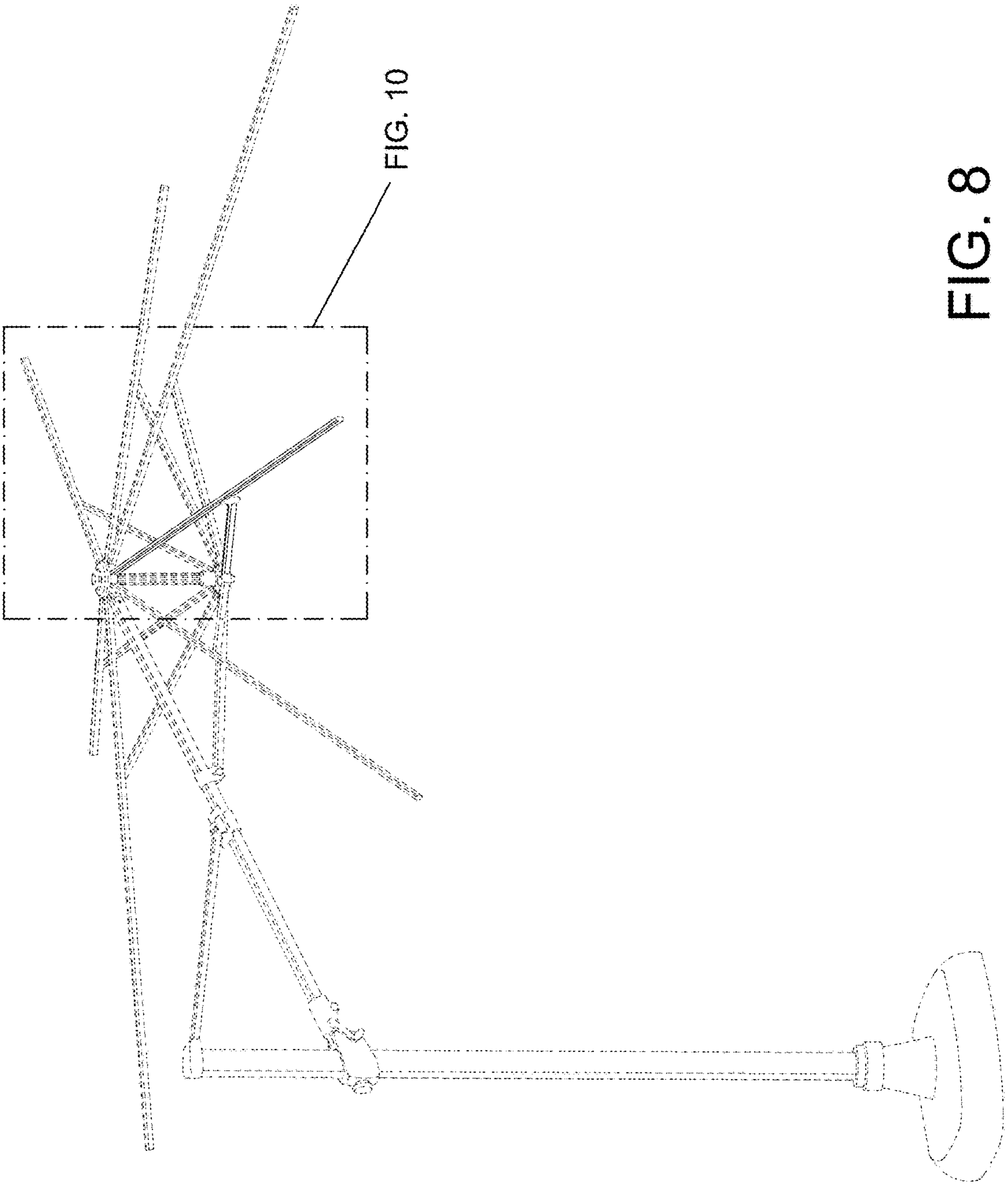


FIG. 10

FIG. 8

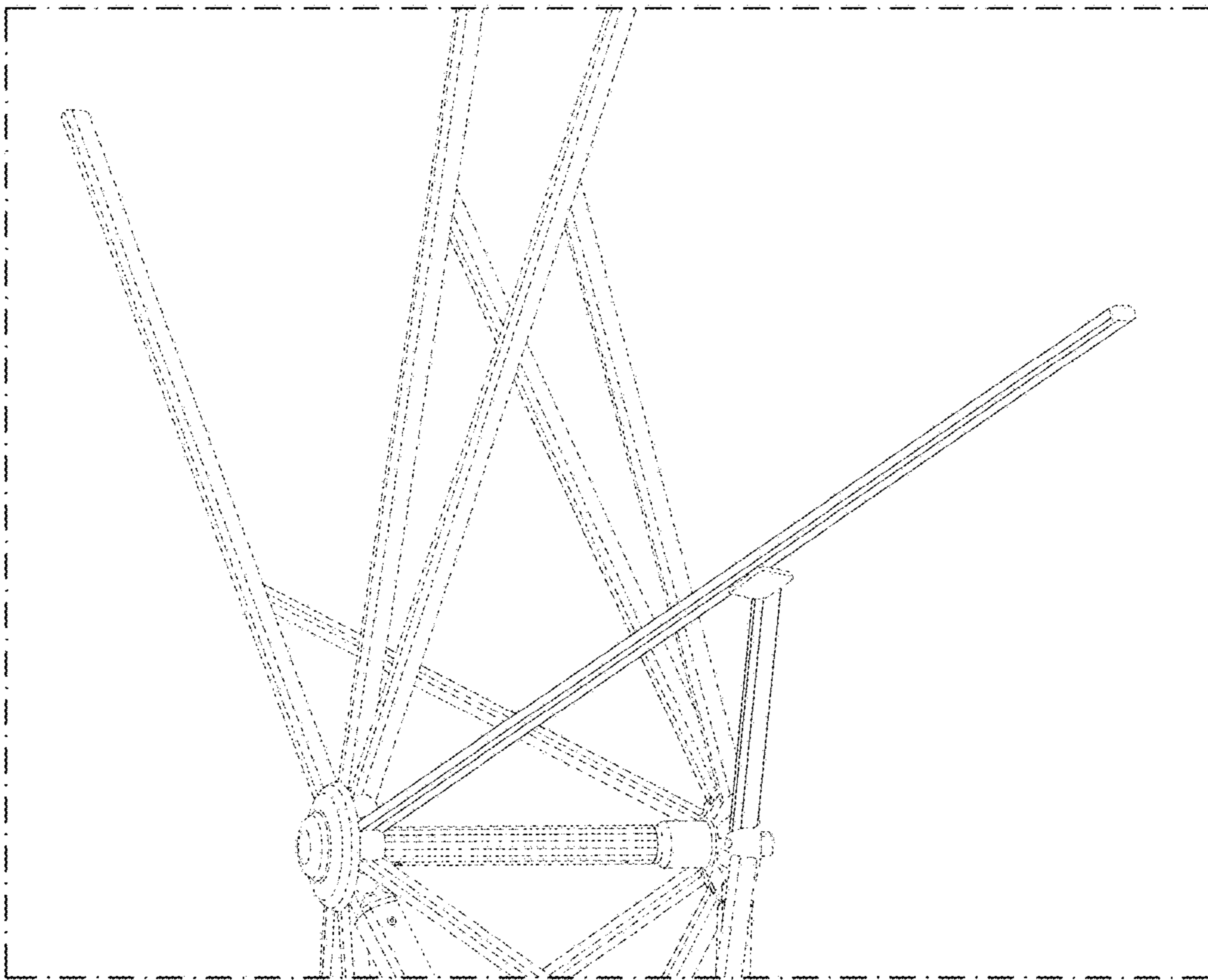


FIG. 9

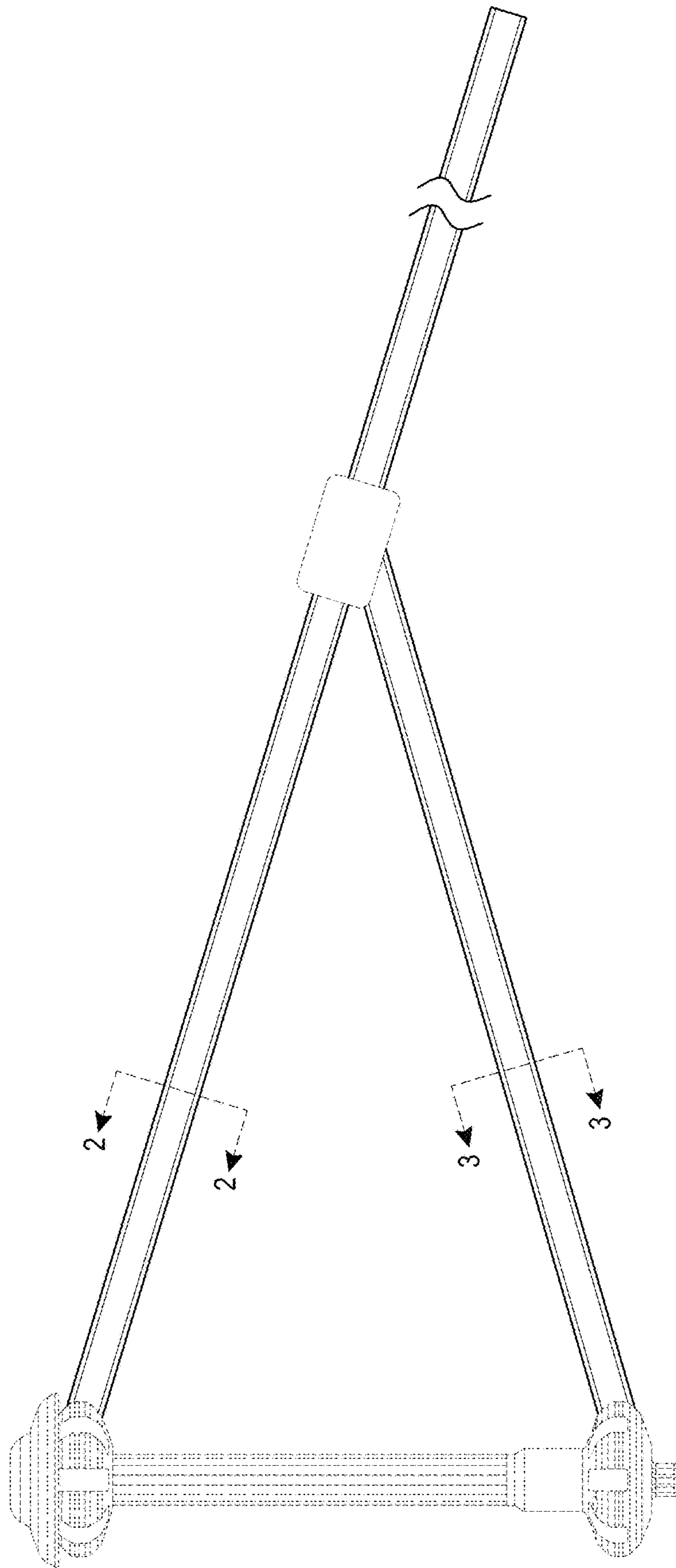


FIG. 10