



US00D848137S

(12) **United States Design Patent** (10) **Patent No.:** **US D848,137 S**
Ausura (45) **Date of Patent:** **** May 14, 2019**

(54) **RETENTION ELEMENT FOR SKI BOOT LINER**

(71) Applicant: **ProAdvent LLC**, Proctorsville, VT (US)

(72) Inventor: **Adam V. Ausura**, Proctorsville, VT (US)

(73) Assignee: **PROADVENT LLC**, Proctorsville, VT (US)

(**) Term: **15 Years**

(21) Appl. No.: **29/615,319**

(22) Filed: **Aug. 28, 2017**

(51) **LOC (11) Cl.** **02-04**

(52) **U.S. Cl.**
 USPC **D2/976; D2/978**

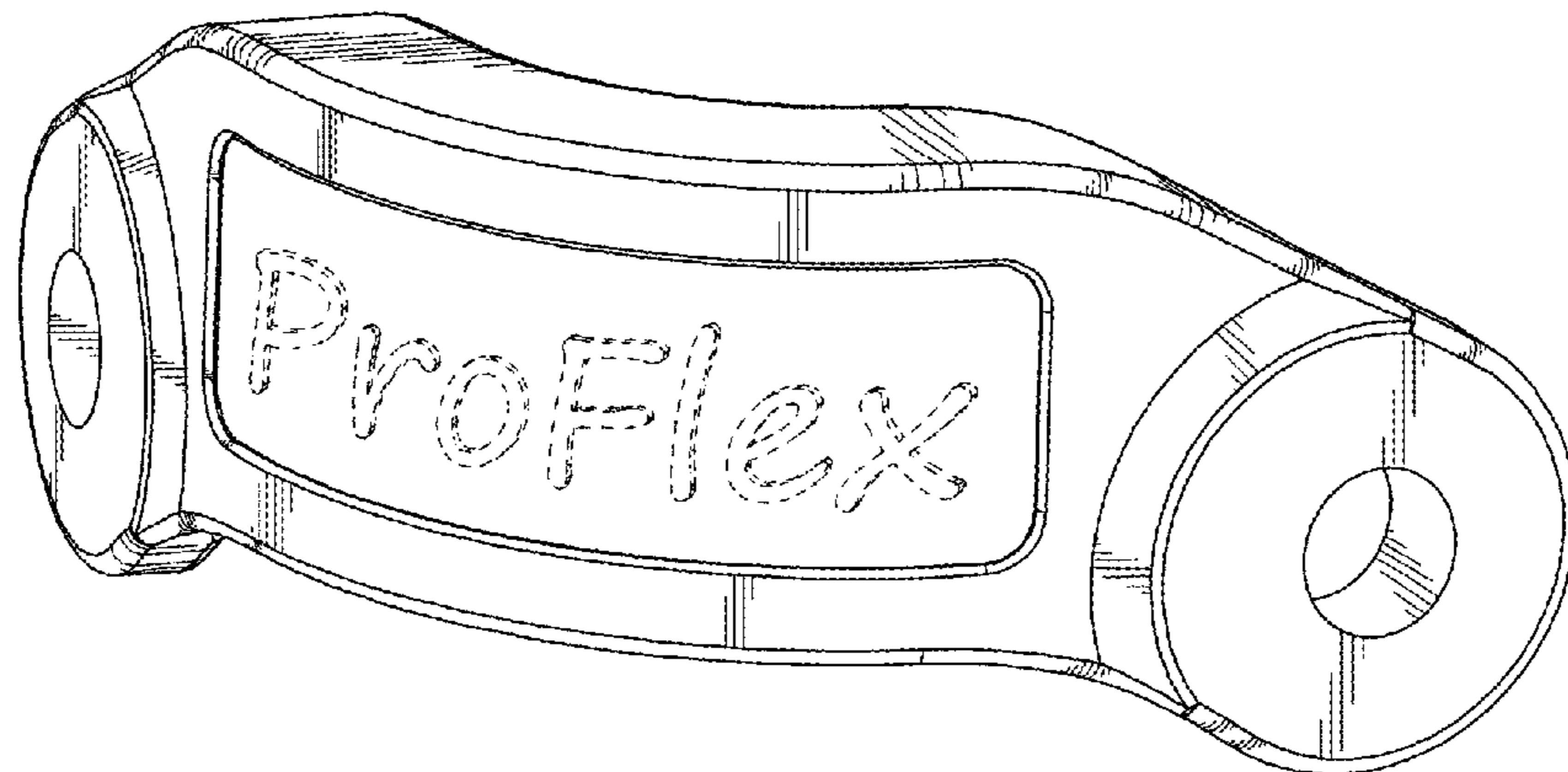
(58) **Field of Classification Search**
 USPC D2/896, 916-918, 946, 968, 969, 976, D2/977, 978
 CPC A43B 3/105; A43B 3/122; A43B 3/12; A43B 9/00; A43B 23/28; A43B 5/0433; A43B 5/0409; A43B 5/1633; A43C 11/08; E05C 17/36

See application file for complete search history.

4,756,099 A 7/1988 Walkhoff
 4,776,111 A 10/1988 Crowley
 4,914,839 A 4/1990 Paris
 5,007,186 A 4/1991 Bischof
 5,152,084 A 10/1992 Bonnaventure
 D336,558 S 6/1993 Escoffier
 D342,593 S * 12/1993 Balbinot A43B 5/0415 D2/904
 D346,063 S * 4/1994 Clark A43B 5/145 D10/128
 D347,558 S * 6/1994 Alonzo D2/641
 5,357,695 A * 10/1994 Lu A43B 5/1633 36/115
 D357,795 S 5/1995 Crowley
 D365,437 S * 12/1995 Schaper A43B 5/0415 D2/946
 5,491,911 A * 2/1996 Chen A43B 5/00 36/115
 5,553,402 A * 9/1996 Marega A43B 5/0409 36/117.7
 5,590,481 A 1/1997 Vaccari
 D377,958 S * 2/1997 Chen A43B 5/00 D2/901
 D380,287 S * 7/1997 Chen D2/901
 5,651,197 A 7/1997 James
 D390,296 S * 2/1998 Lee D2/901
 5,718,067 A 2/1998 Ostinet
 D401,934 S * 12/1998 Wicks D14/191
 D404,895 S * 2/1999 Rosato A43B 5/1633 D2/946
 5,921,006 A 7/1999 Vargas
 D413,197 S * 8/1999 Faye D2/978
 6,026,594 A 2/2000 Fougere
 D453,413 S * 2/2002 Tsujino D2/978
 6,467,193 B1 10/2002 Okajima
 6,655,052 B2 * 12/2003 Bruce A43B 5/0415 206/701
 6,820,354 B1 * 11/2004 Zanatta A43B 5/145 36/102
 7,503,131 B2 * 3/2009 Nadel A43B 5/0415 36/117.1
 D603,155 S * 11/2009 Della Valle D2/976
 D615,285 S * 5/2010 Martin D2/946
 D634,523 S * 3/2011 Hirschfeld A43B 5/14 D2/946
 7,946,061 B2 * 5/2011 Holzer A43B 5/0433 36/117.1
 D661,471 S * 6/2012 Parisotto A61F 5/34 D2/904
 8,359,771 B2 1/2013 Holzer
 8,418,381 B2 4/2013 Reagan
 9,408,435 B2 * 8/2016 Labonte A43B 5/1691

(56) **References Cited**
 U.S. PATENT DOCUMENTS

3,224,118 A 12/1965 Tenfel
 3,239,953 A 3/1966 Norton
 3,475,835 A 11/1969 Kovar
 3,722,112 A 3/1973 Morgan
 3,848,347 A 11/1974 Hanson
 D242,938 S * 1/1977 Famolare, Jr. A43B 5/0433 280/825
 4,107,856 A 8/1978 Bourque
 4,121,359 A 10/1978 Bertetto
 4,258,482 A 3/1981 Salomon
 4,317,296 A 3/1982 Hanson
 4,624,063 A 11/1986 Delery
 4,662,082 A 5/1987 Shabazz
 4,696,117 A 9/1987 Ottieri



9,538,805	B2 *	1/2017	Tronchin	A43B 5/0433
9,549,592	B2	1/2017	Quagliotto	
9,668,907	B2 *	6/2017	Romo	A61F 5/34
9,839,549	B2 *	12/2017	Walborn	A61F 5/0102
2007/0266595	A1 *	11/2007	Bird	A43B 5/14 36/50.1
2012/0117820	A1	5/2012	Atamian	
2014/0338223	A1	11/2014	Adams	
2015/0313318	A1	11/2015	Gibb	
2016/0262487	A1	9/2016	Marechal	

FOREIGN PATENT DOCUMENTS

EP	2929794	A1	10/2015
FR	2876883	B1	3/2007
FR	2876883	A1	4/2016
WO	WO 2016/164102	A1	10/2016

OTHER PUBLICATIONS

U.S. Appl. No. 15/688,490, filed Aug. 28, 2017, Adam V. Ausura.
 U.S. Appl. No. 15/688,490, filed Nov. 1, 2018, Restriction Requirement.
<http://www.nordicausa.com/products/gpx-130/>, All Mountain / High Performance GPX 130, Nordica is a Division of Tecnica Group S.p.a. P.iva 00195810262, Capitale Sociale Eur. 25.000.000,00— I.v. Rea di Treviso N. 78175 Società Unipersonale.
<http://www.nordicausa.com/products/speedmachine-130/>, All Mountain / High Performance Speedmachine 130, Nordica is a Division of Tecnica Group S.p.a. P.iva 00195810262, Capitale Sociale Eur. 25.000.000,00— I.v. Rea di Treviso N. 78175 Società Unipersonale.
 Salomon X3 130 CS Ski Boots 2012, EVO, evo.com, sku# 51334, accessed: Apr. 2017.
 Nordica Hell and Back H3 Ski Boot—Women’s—Sale 2013/2014, Christy Sports, christysports.com, SKU: #0930367, accessed: Apr. 2017.
 Salomon X-Pro 90 W Women’s Boots 2016/2017, Golf & Ski Warehouse, golfskiwarehouse.com, Apr. 2017. accessed: Apr. 2017.
 Lange World Cup 130 (HP Fit) Ski Boots 2007, U.S. Outdoor, usoutdoor.com, accessed: Apr. 2017.
 European Search Report for European Patent Application 18191017.5 dated Jan. 17, 2019.
 U.S. Appl. No. 15/688,490, dated Jan. 29, 2019, Office Action.

* cited by examiner

Primary Examiner — Rashida C. Walshon
 (74) *Attorney, Agent, or Firm* — Workman Nydegger

(57) **CLAIM**

The ornamental design for a retention element for ski boot liner, as shown and described.

DESCRIPTION

FIG. 1 is a top perspective view of a first embodiment of a retention element for ski boot liner;
 FIG. 2 is a bottom perspective view of the retention element for ski boot liner of FIG. 1;
 FIG. 3 is a front view of the retention element for ski boot liner of FIG. 1;
 FIG. 4 is a back view of the retention element for ski boot liner of FIG. 1;

FIG. 5 is a left side view of the retention element for ski boot liner of FIG. 1;
 FIG. 6 is a right side view of the retention element for ski boot liner of FIG. 1;
 FIG. 7 is a bottom view of the retention element for ski boot liner of FIG. 1;
 FIG. 8 is a top view of the retention element for ski boot liner of FIG. 1;
 FIG. 9 is a top perspective view of a second embodiment of a retention element for ski boot liner;
 FIG. 10 is a bottom perspective view of the retention element for ski boot liner of FIG. 9;
 FIG. 11 is a front view of the retention element for ski boot liner of FIG. 9;
 FIG. 12 is a back view of the retention element for ski boot liner of FIG. 9;
 FIG. 13 is a left side view of the retention element for ski boot liner of FIG. 9;
 FIG. 14 is a right side view of the retention element for ski boot liner of FIG. 9;
 FIG. 15 is a bottom view of the retention element for ski boot liner of FIG. 9;
 FIG. 16 is a top view of the retention element for ski boot liner of FIG. 9;
 FIG. 17 is a top perspective view of a third embodiment of a retention element for ski boot liner;
 FIG. 18 is a bottom perspective view of the retention element for ski boot liner of FIG. 17;
 FIG. 19 is a front view of the retention element for ski boot liner of FIG. 17;
 FIG. 20 is a back view of the retention element for ski boot liner of FIG. 17;
 FIG. 21 is a left side view of the retention element for ski boot liner of FIG. 17;
 FIG. 22 is a right side view of the retention element for ski boot liner of FIG. 17;
 FIG. 23 is a top view of the retention element for ski boot liner of FIG. 17; and
 FIG. 24 is a bottom view of the retention element for ski boot liner of FIG. 17.
 FIG. 25 is a top perspective view of a fourth embodiment of a retention element for ski boot liner;
 FIG. 26 is a bottom perspective view of the retention element for ski boot liner of FIG. 25;
 FIG. 27 is a front view of the retention element for ski boot liner of FIG. 25;
 FIG. 28 is a back view of the retention element for ski boot liner of FIG. 25;
 FIG. 29 is a left side view of the retention element for ski boot liner of FIG. 25;
 FIG. 30 is a right side view of the retention element for ski boot liner of FIG. 25;
 FIG. 31 is a top view of the retention element for ski boot liner of FIG. 25; and,
 FIG. 32 is a bottom view of the retention element for ski boot liner of FIG. 25.

1 Claim, 20 Drawing Sheets

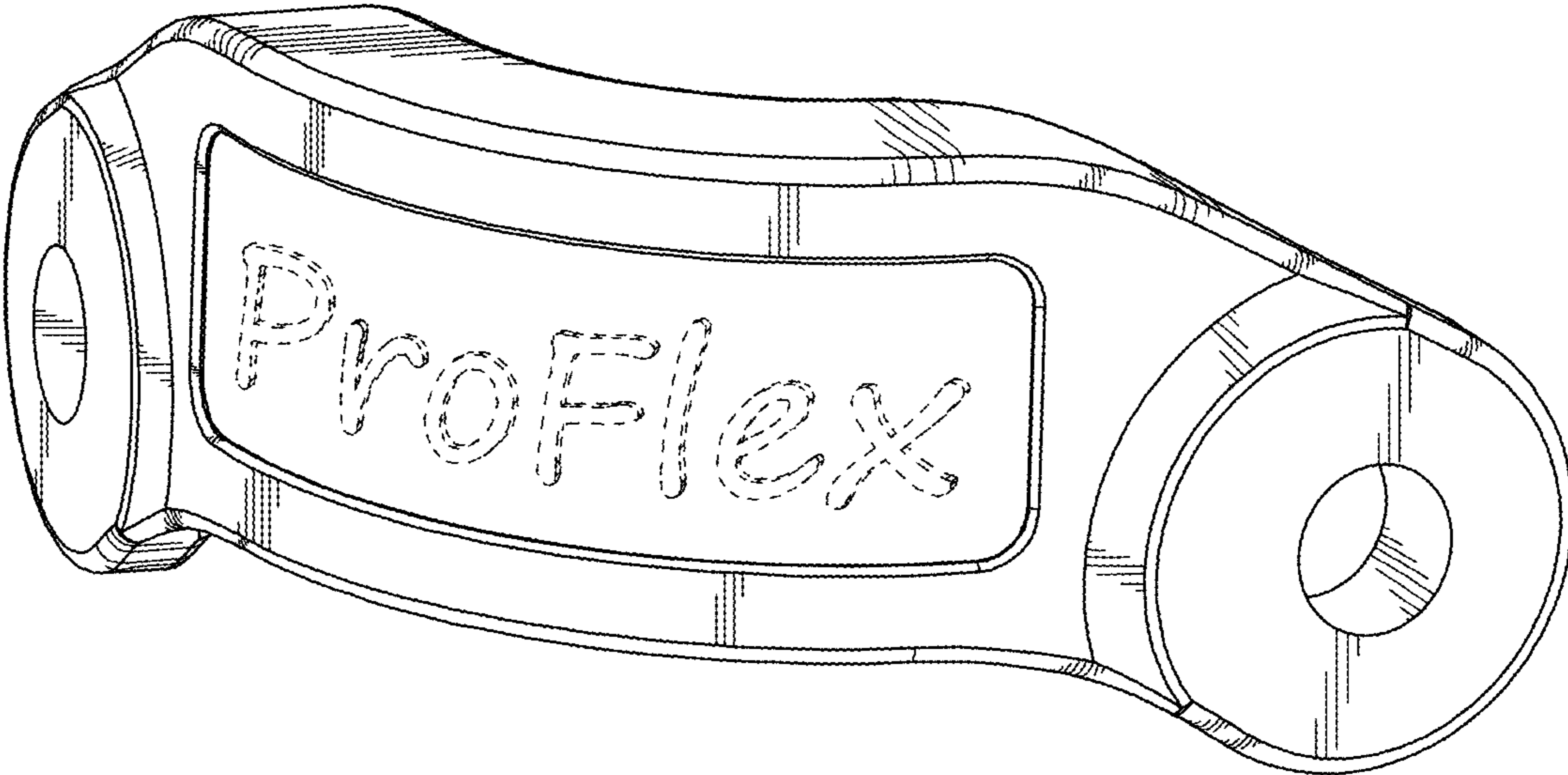


FIG. 1

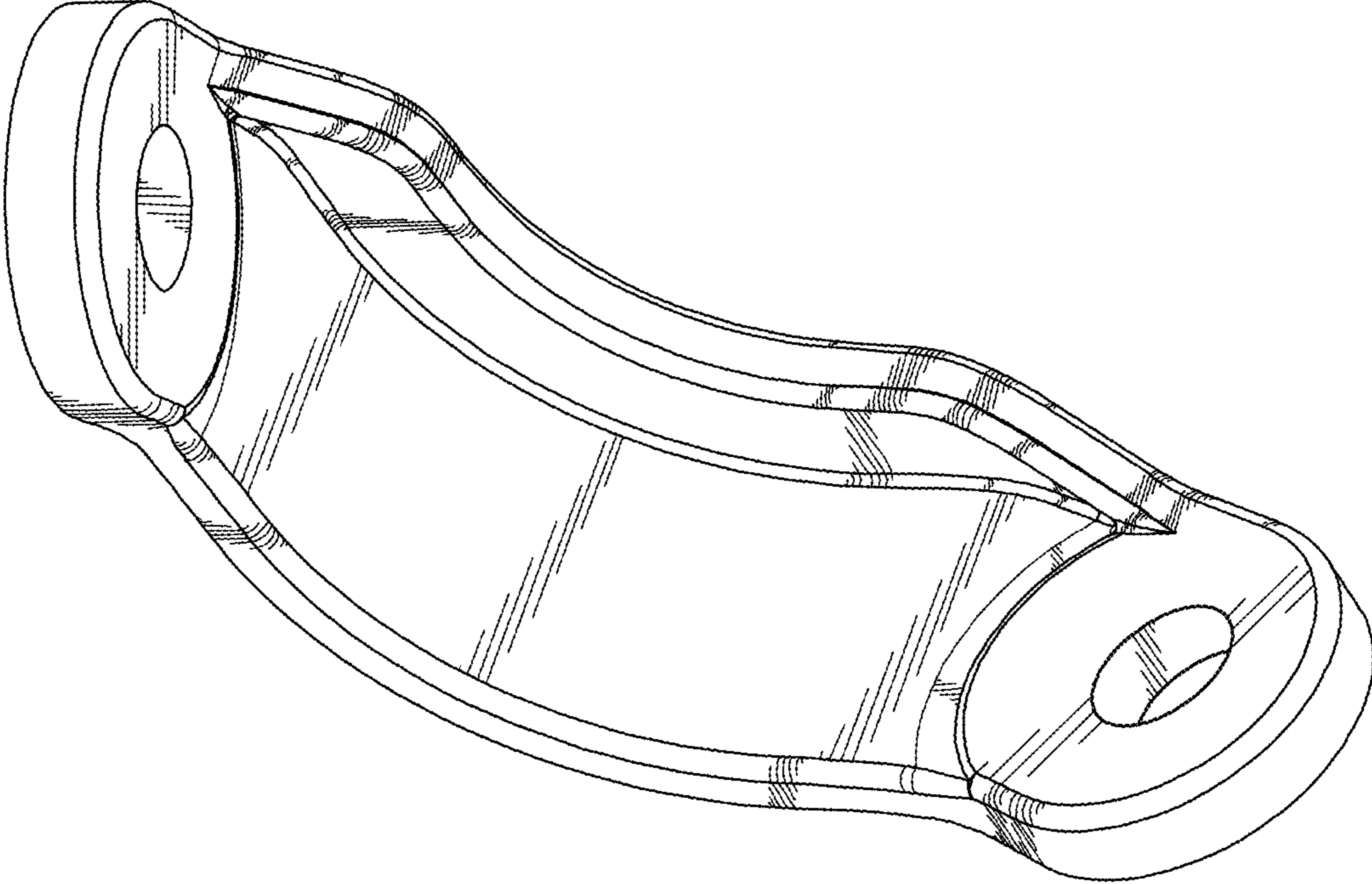


FIG. 2

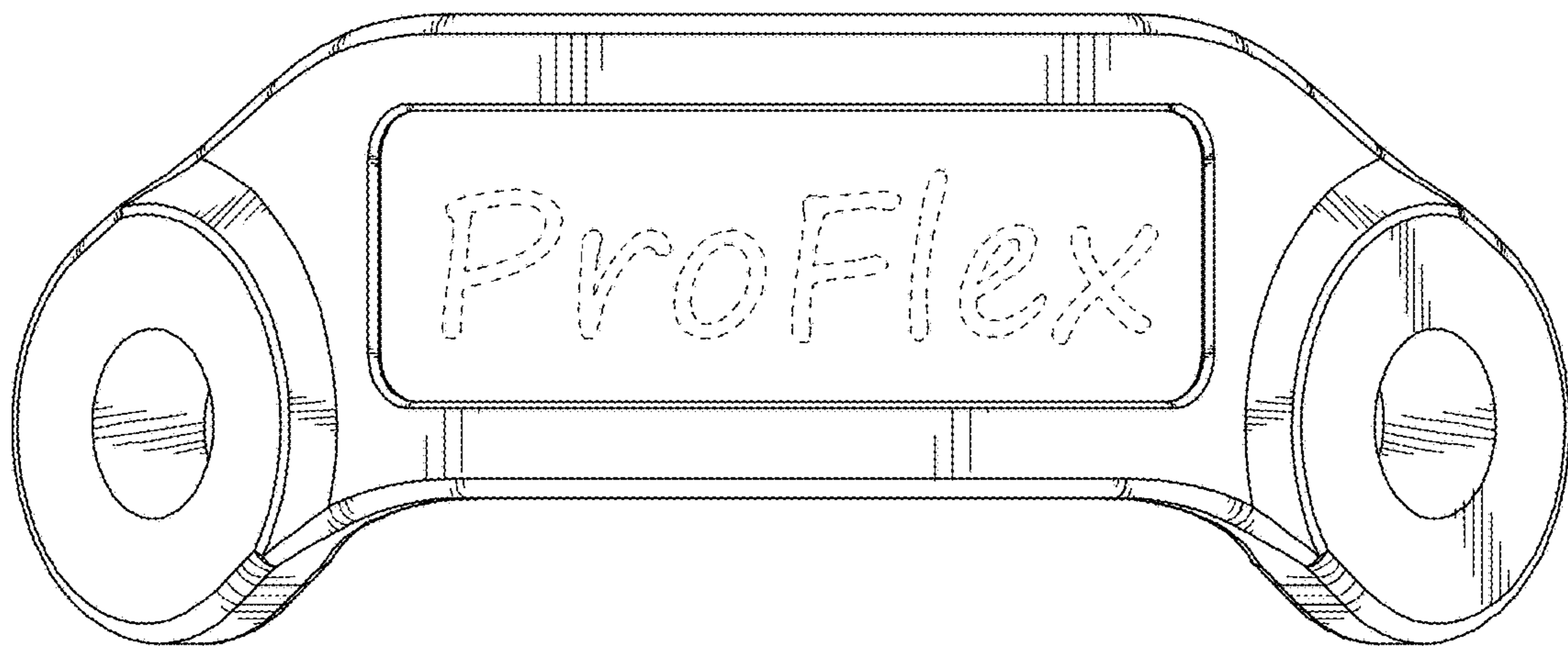


FIG. 3

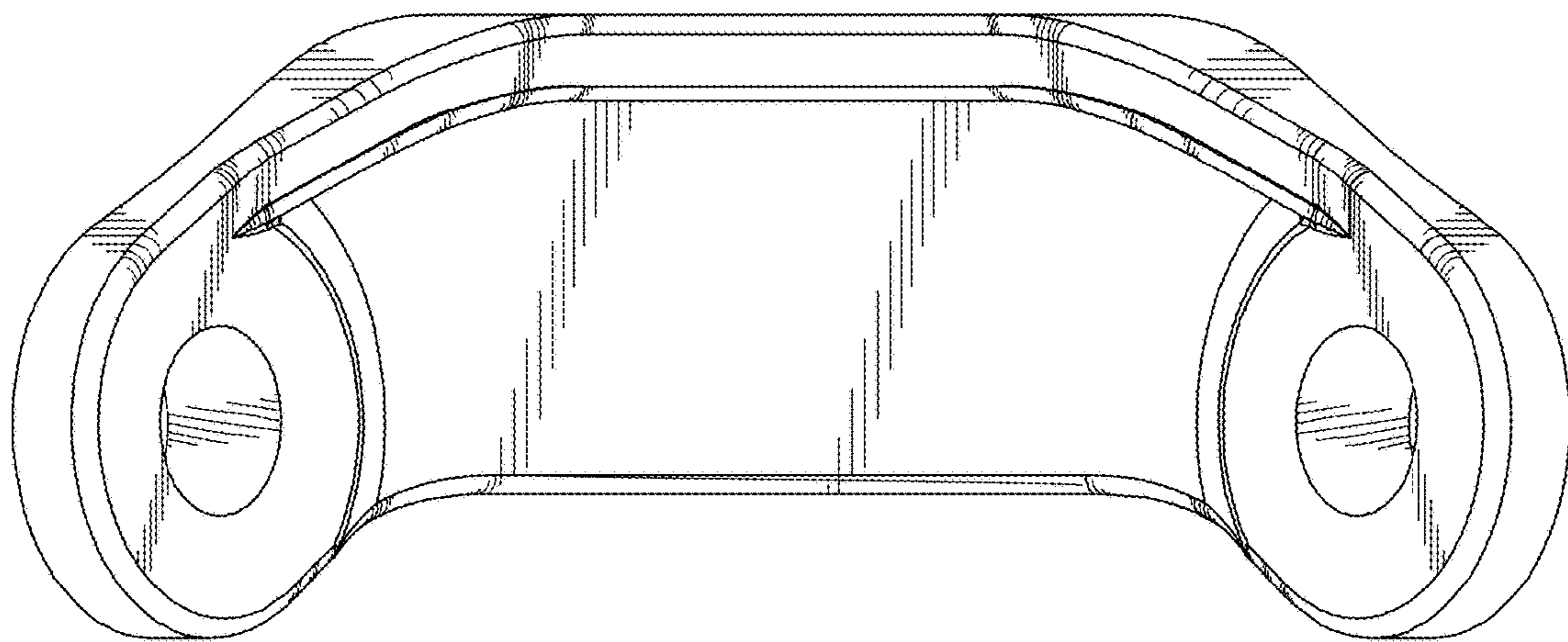


FIG. 4

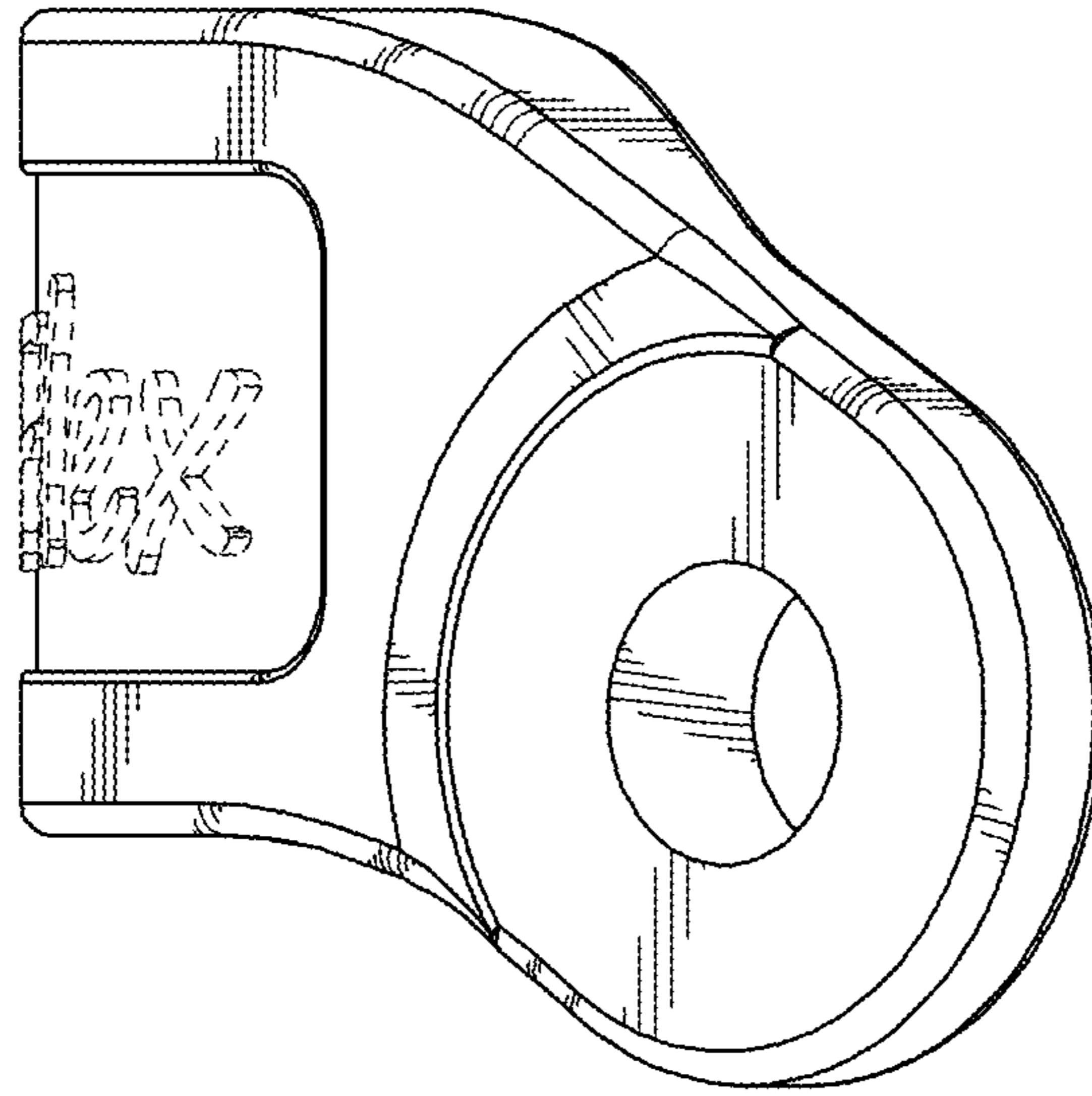


FIG. 5

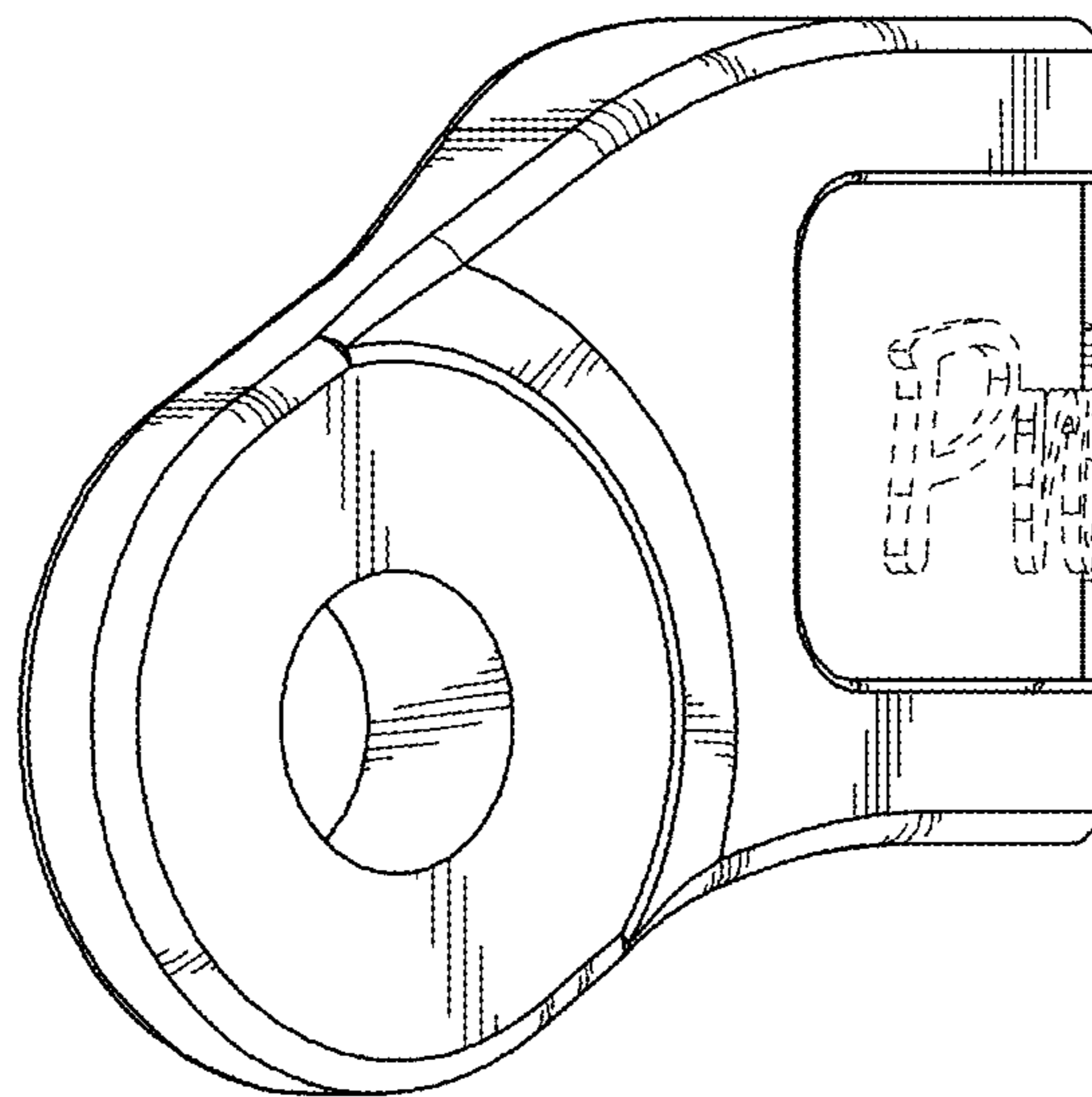


FIG. 6

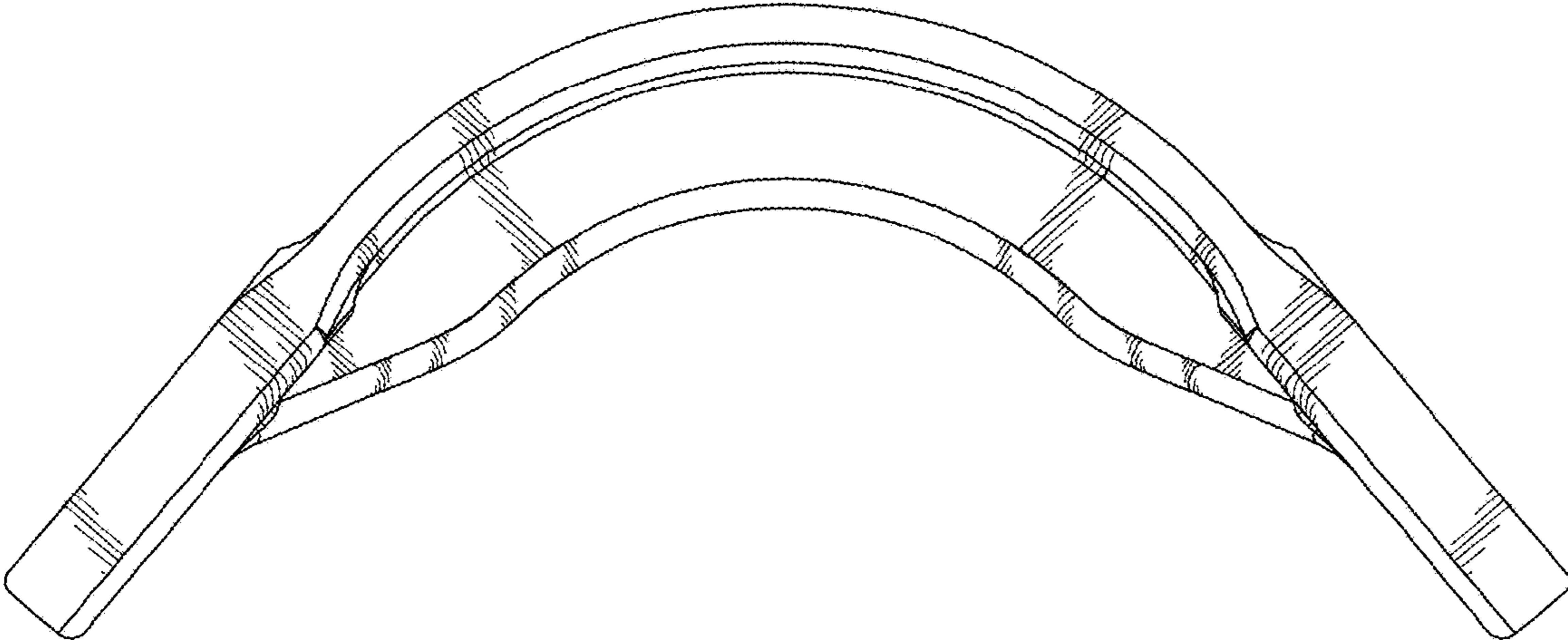


FIG. 7

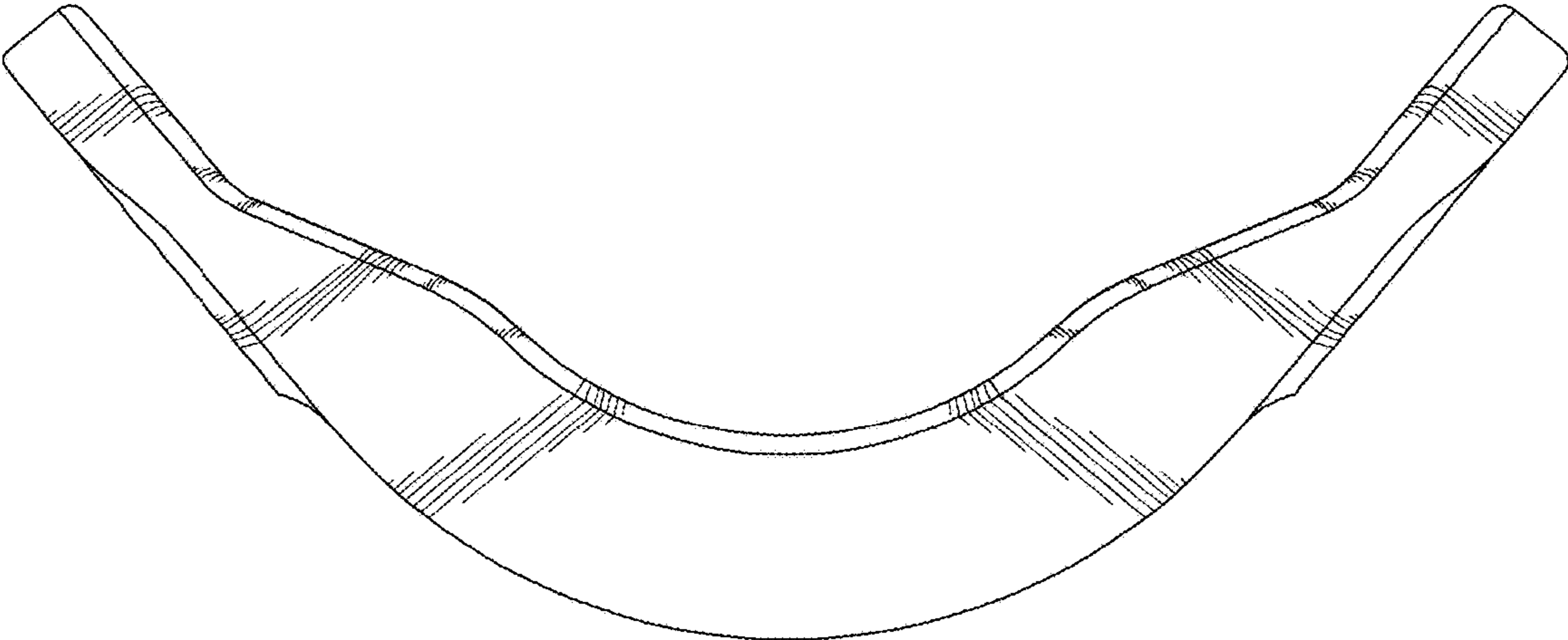


FIG. 8

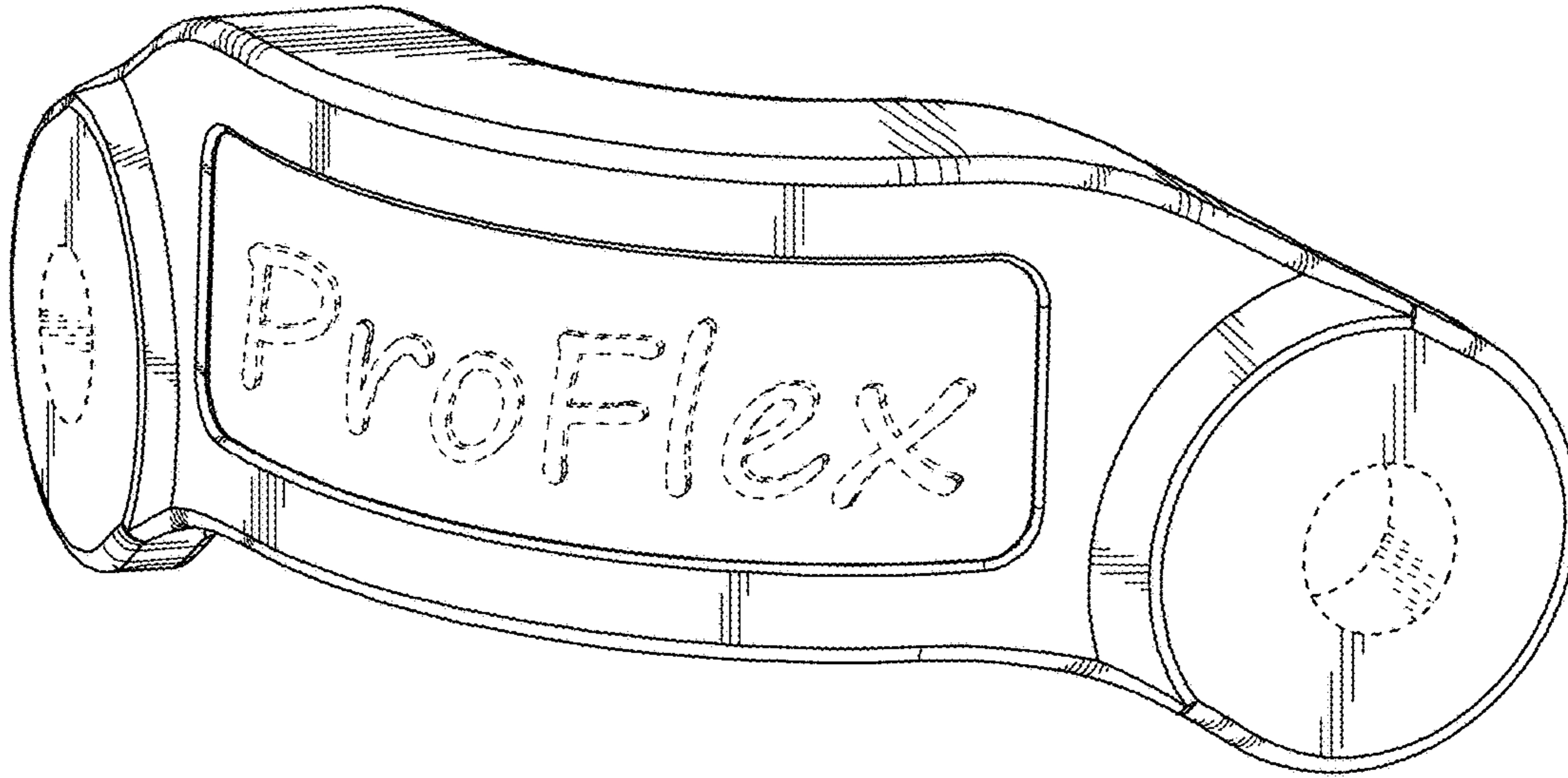


FIG. 9

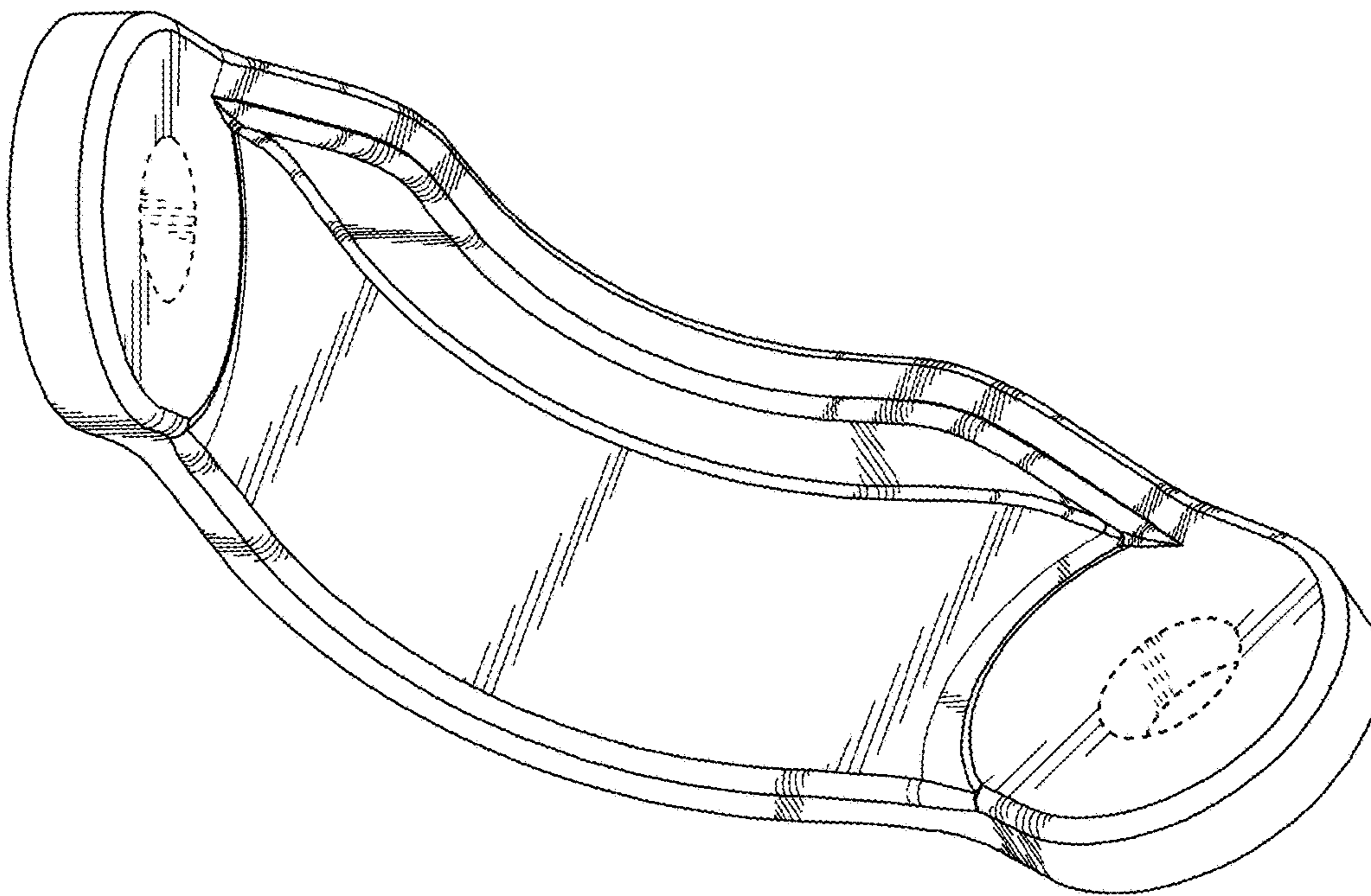


FIG. 10

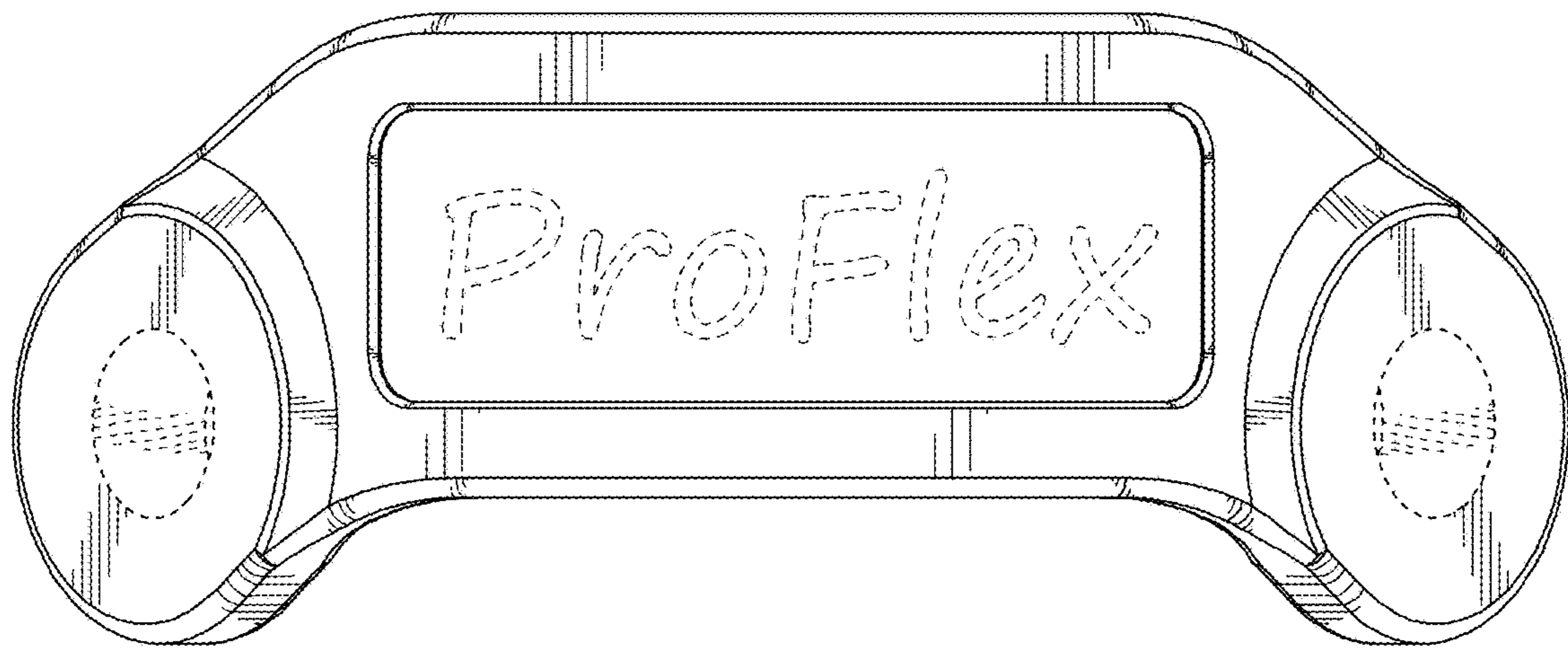


FIG. 11

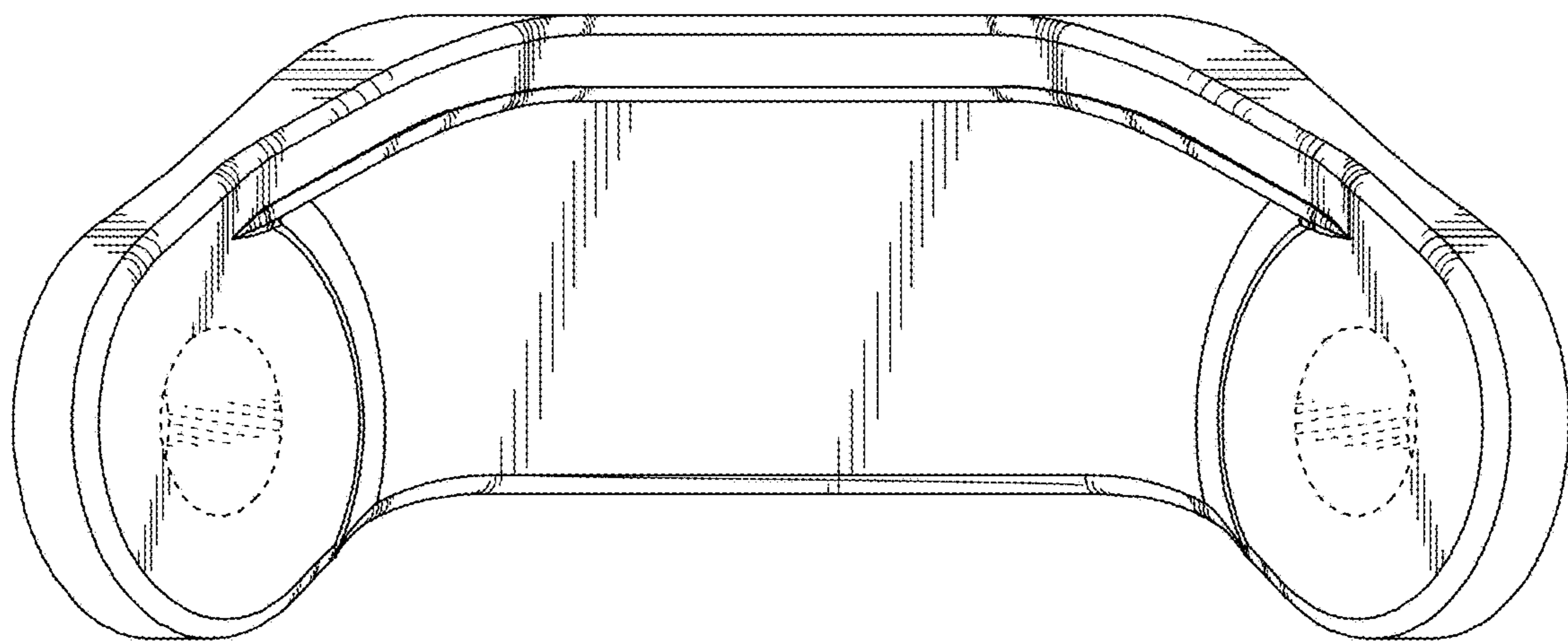


FIG. 12

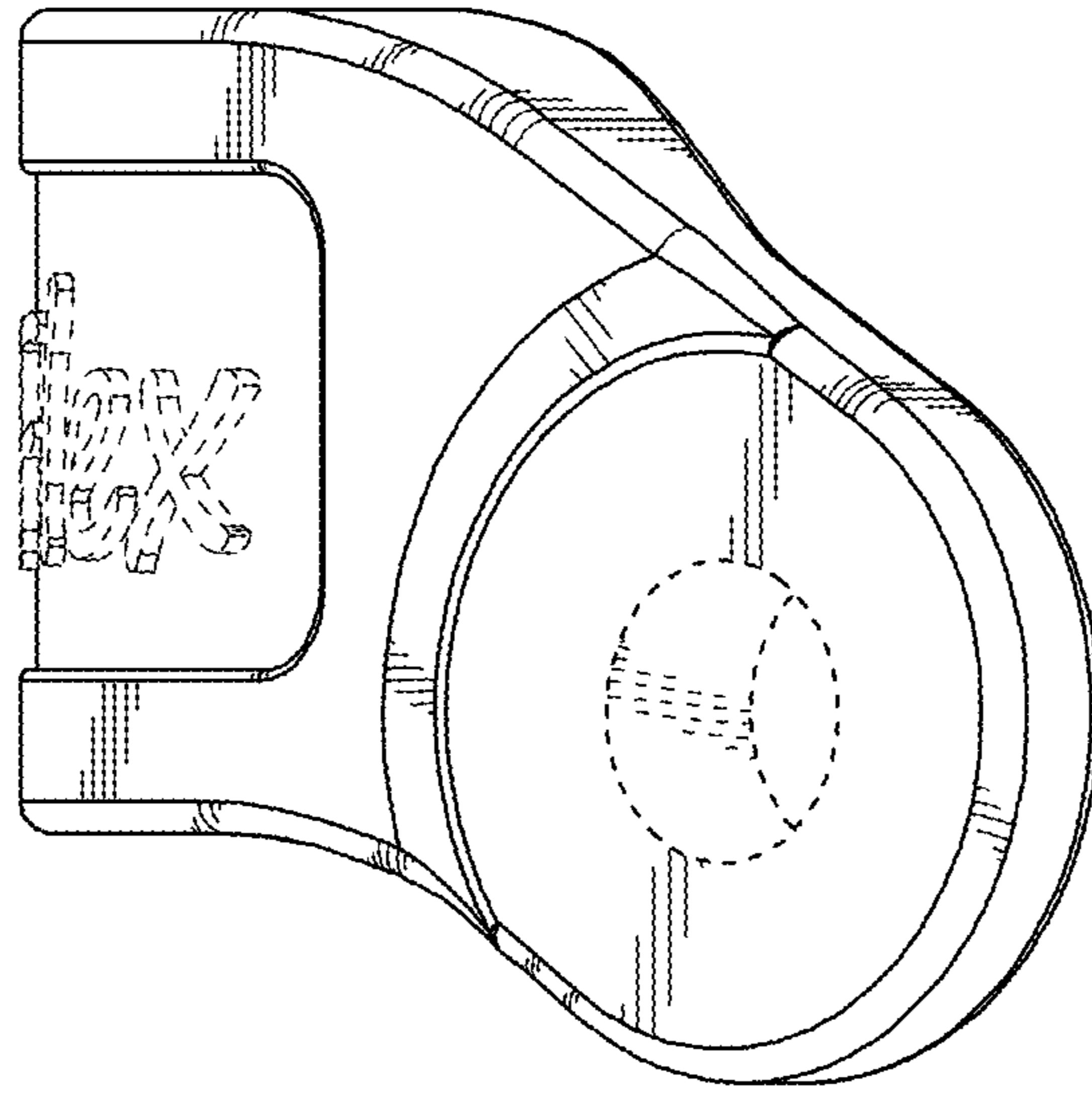


FIG. 13

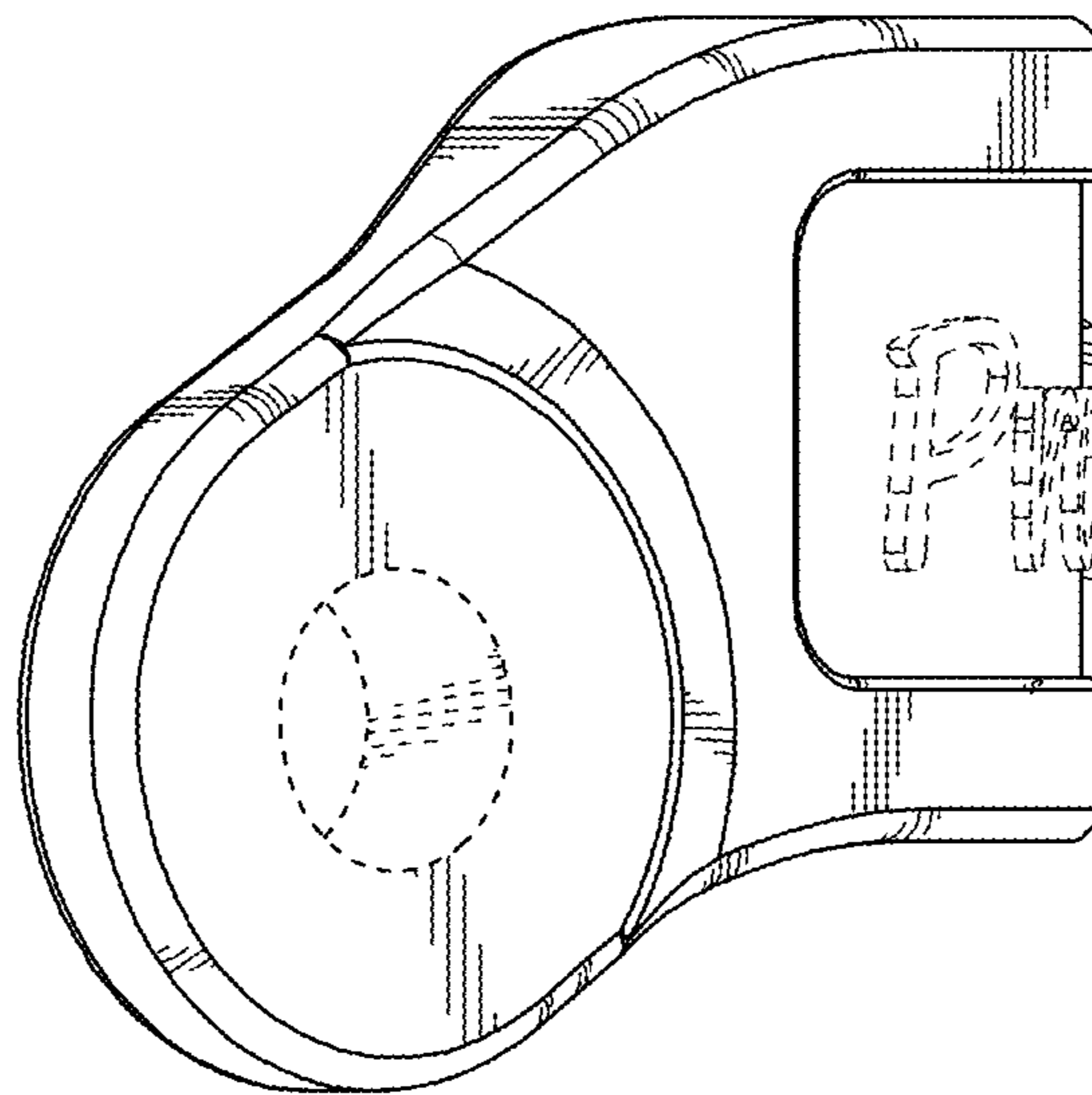


FIG. 14

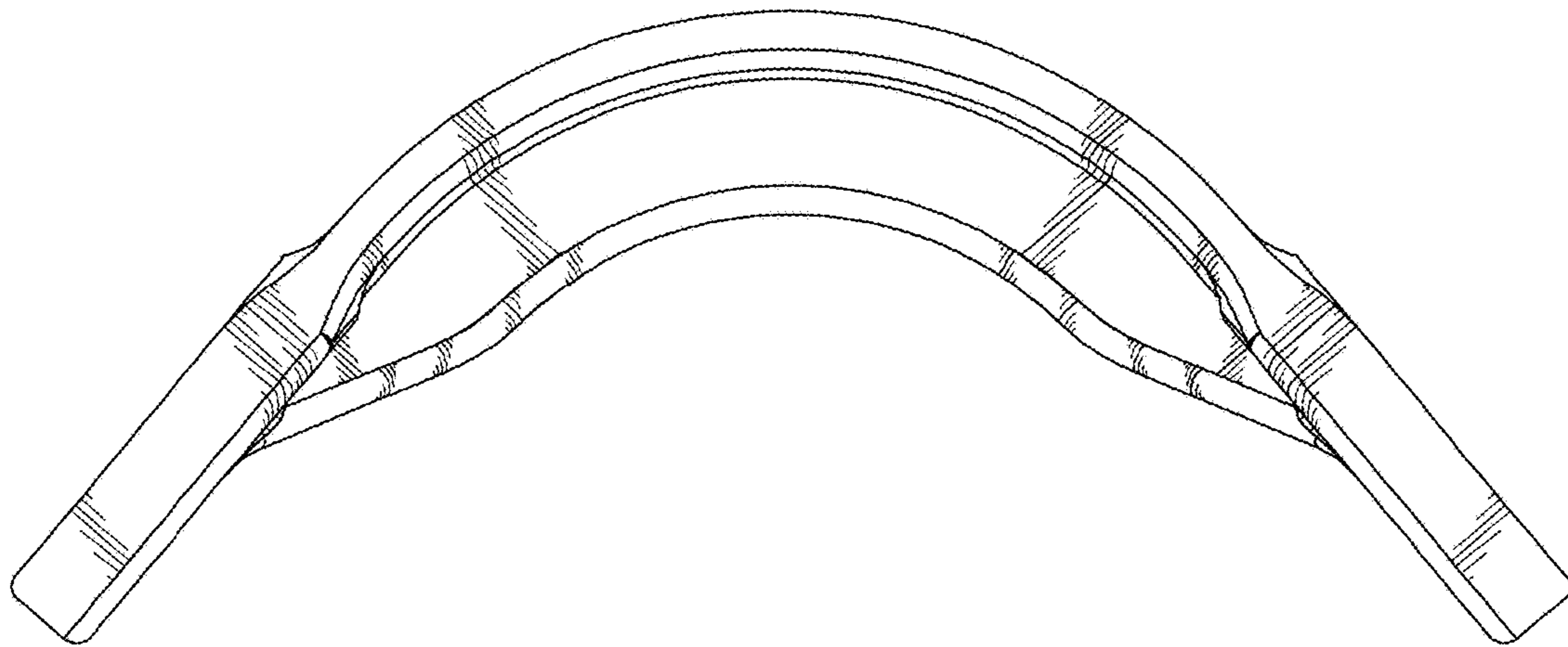


FIG. 15

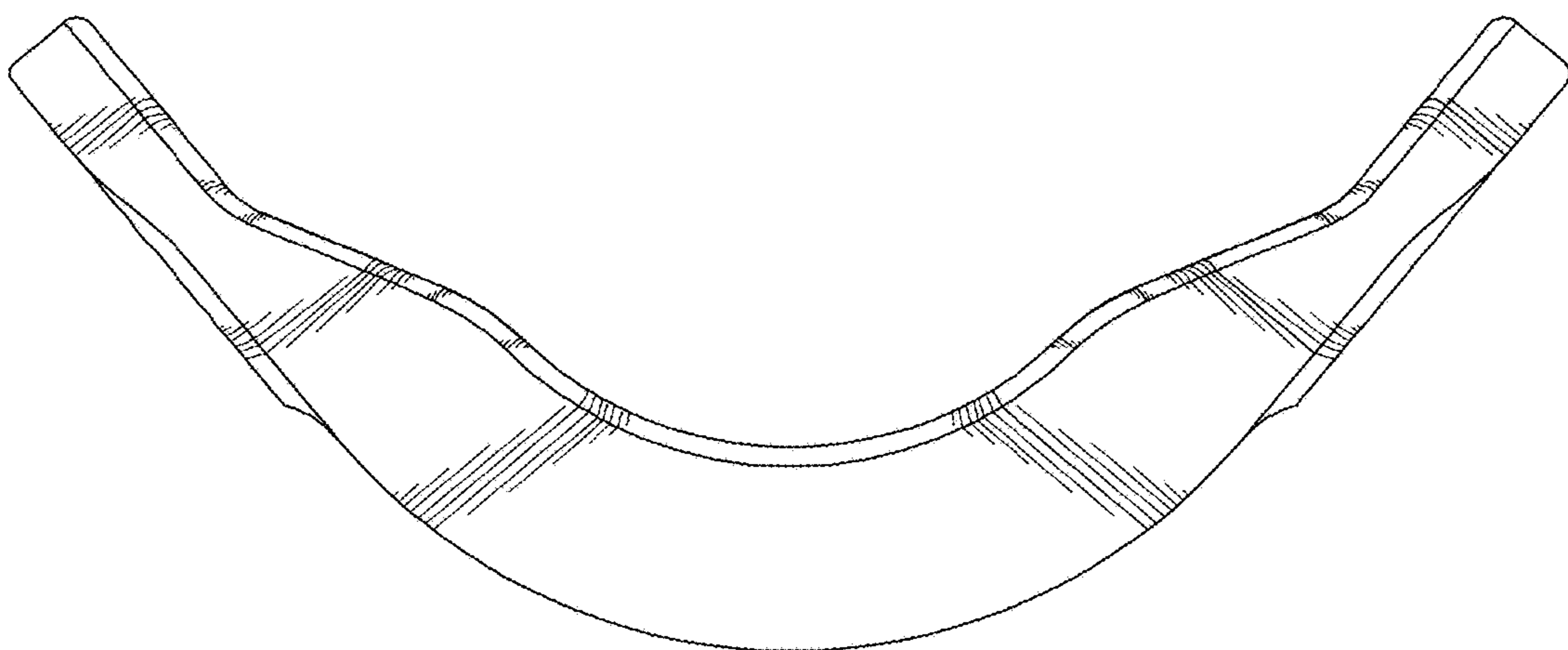


FIG. 16

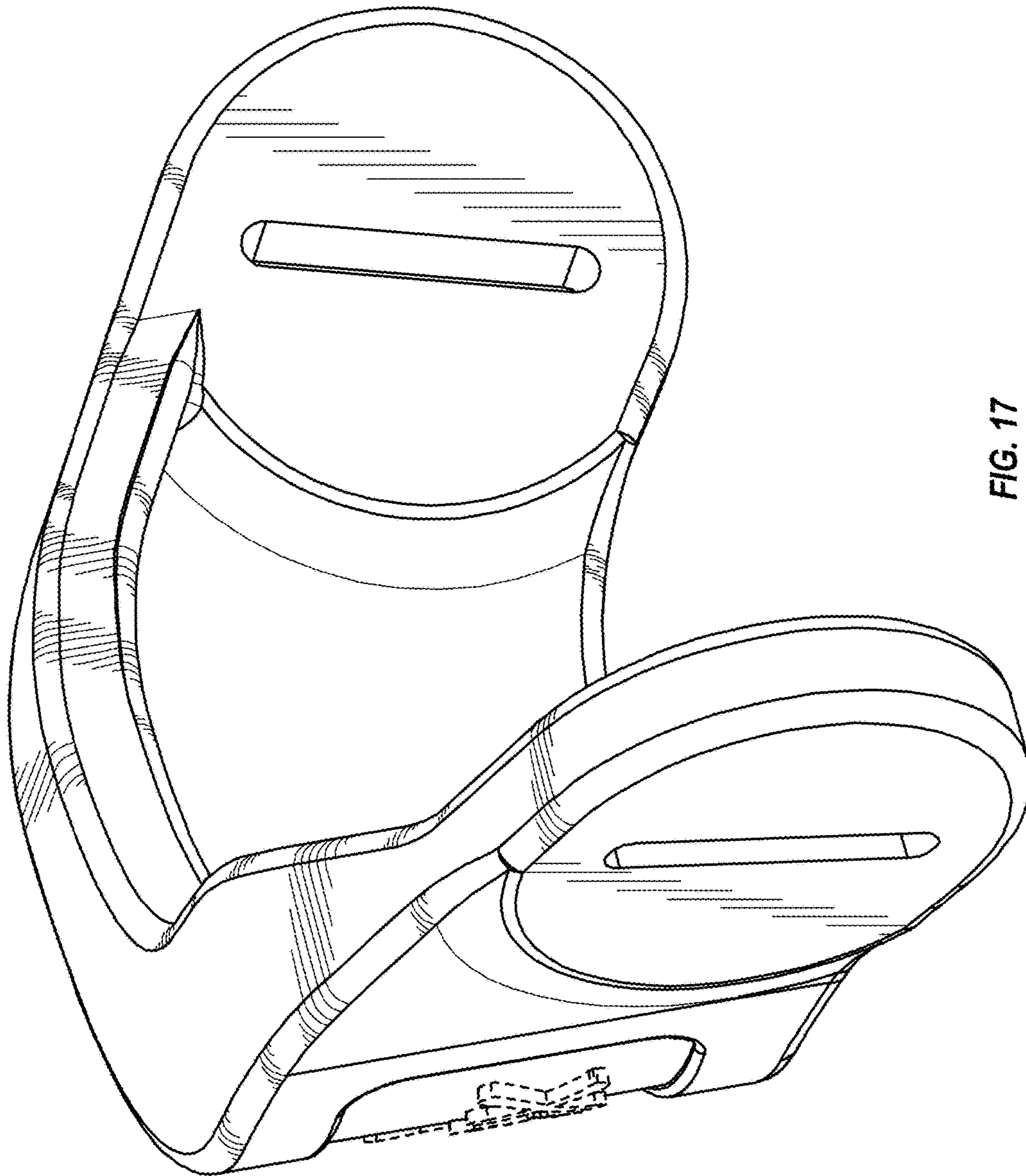


FIG. 17

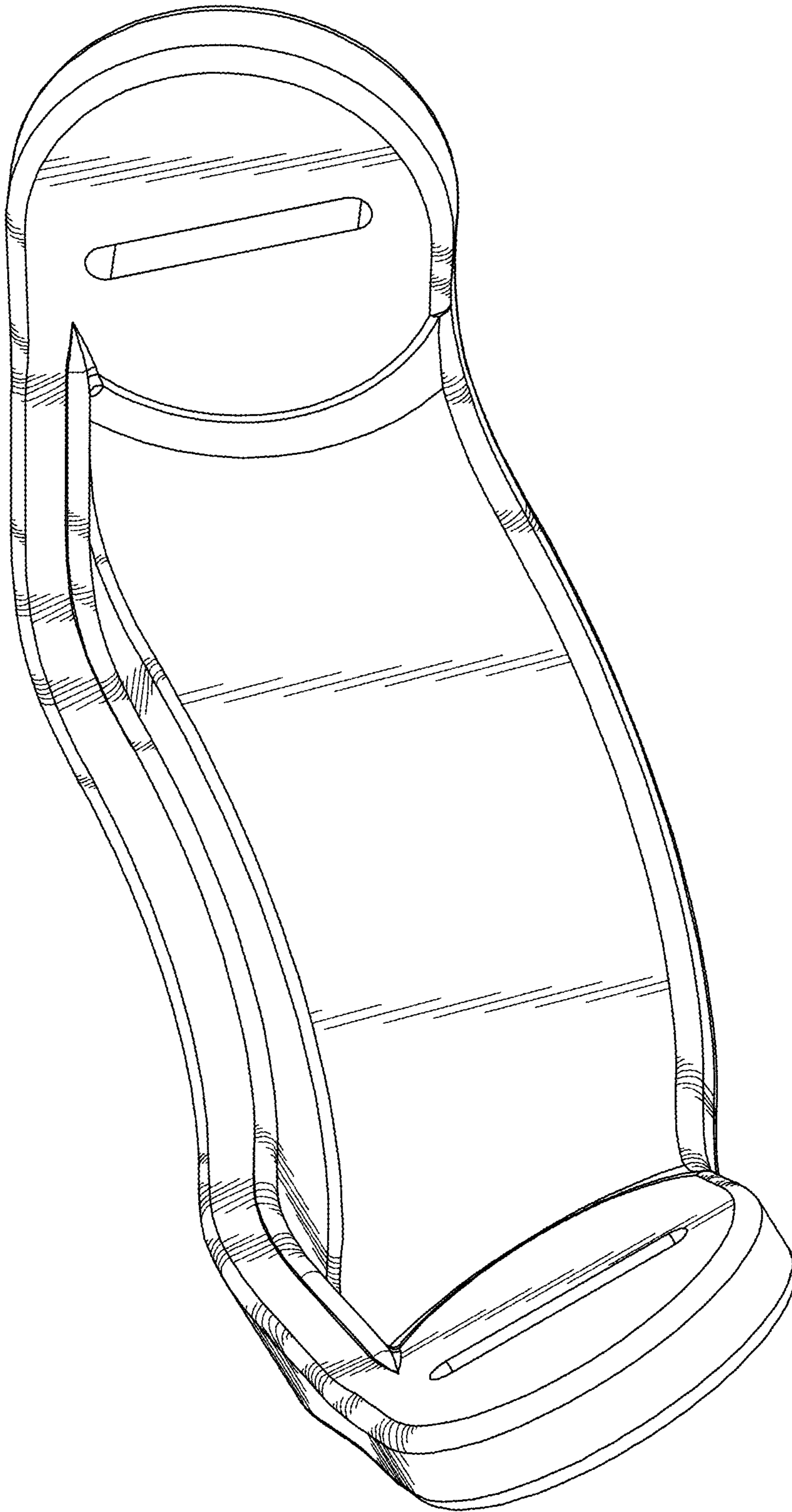


FIG. 18

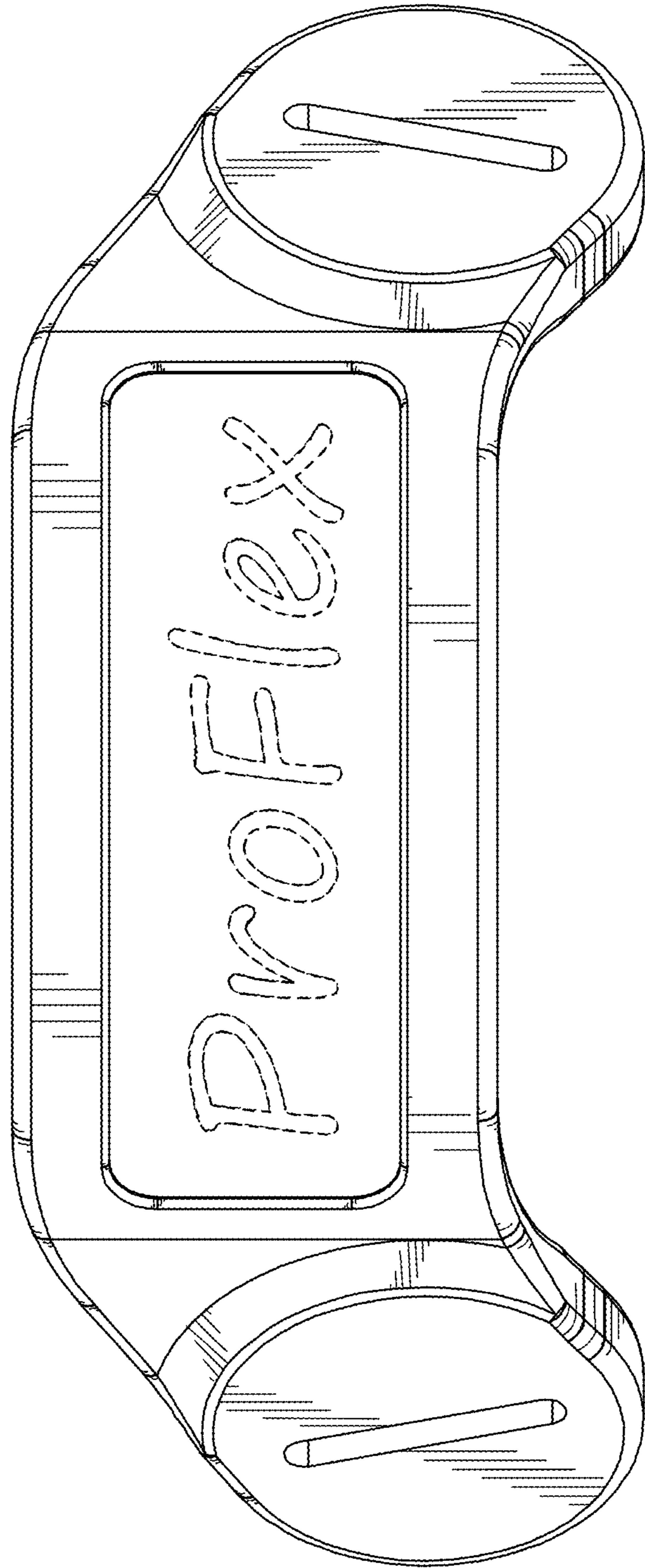


FIG. 19

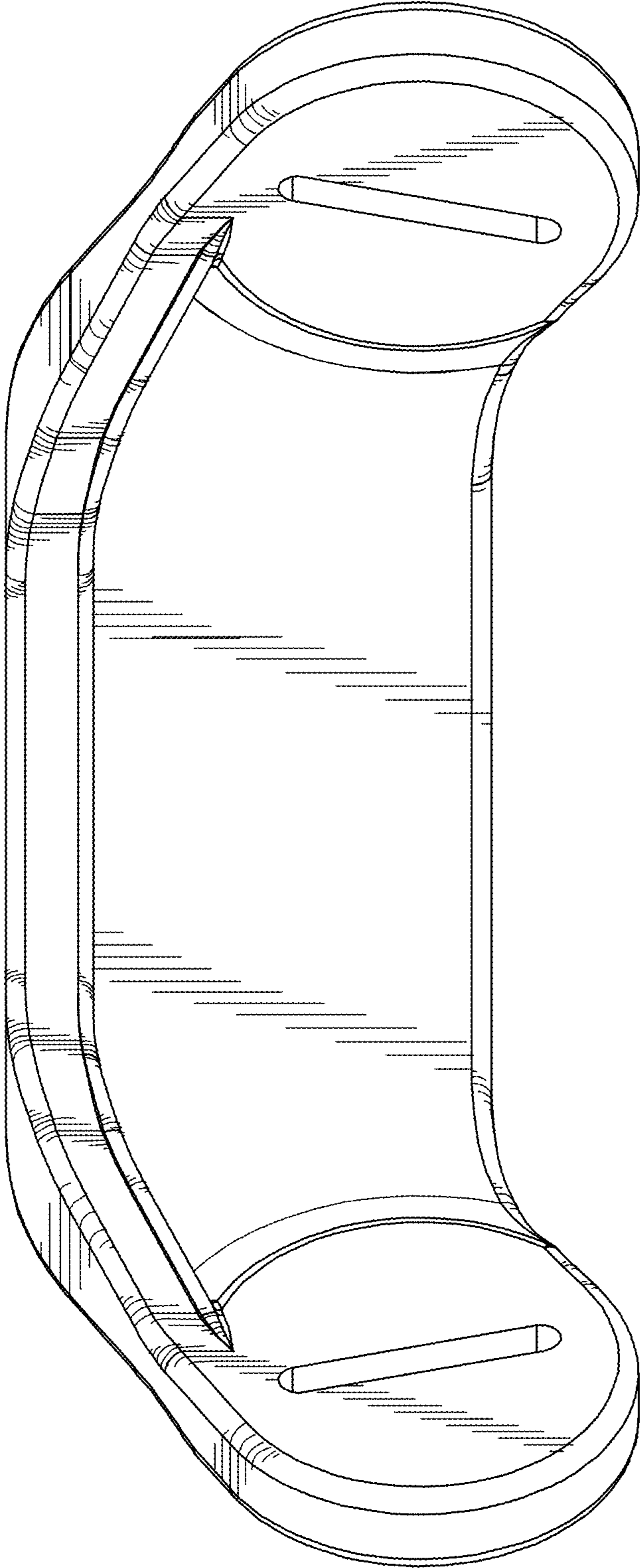


FIG. 20

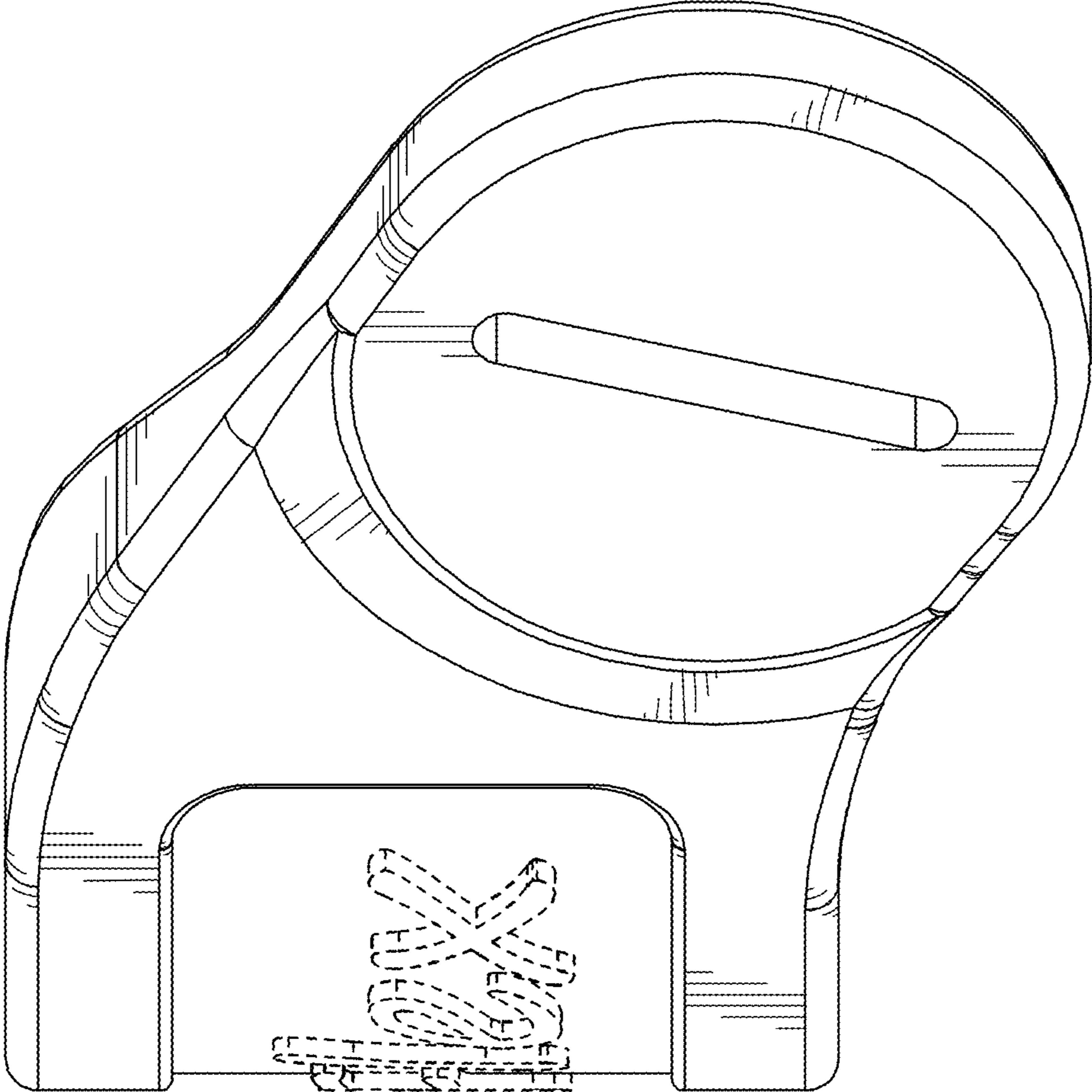


FIG. 21

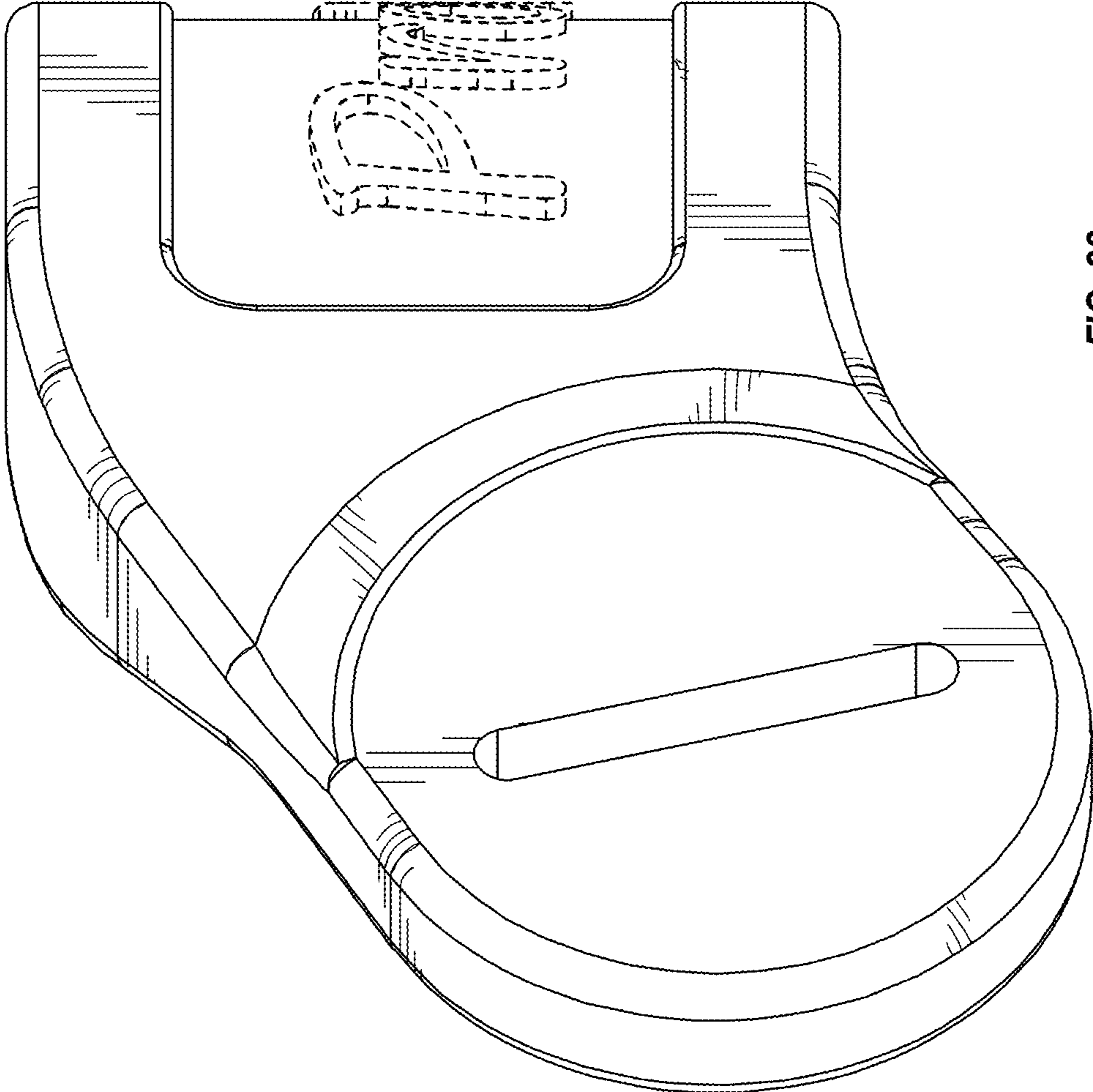


FIG. 22

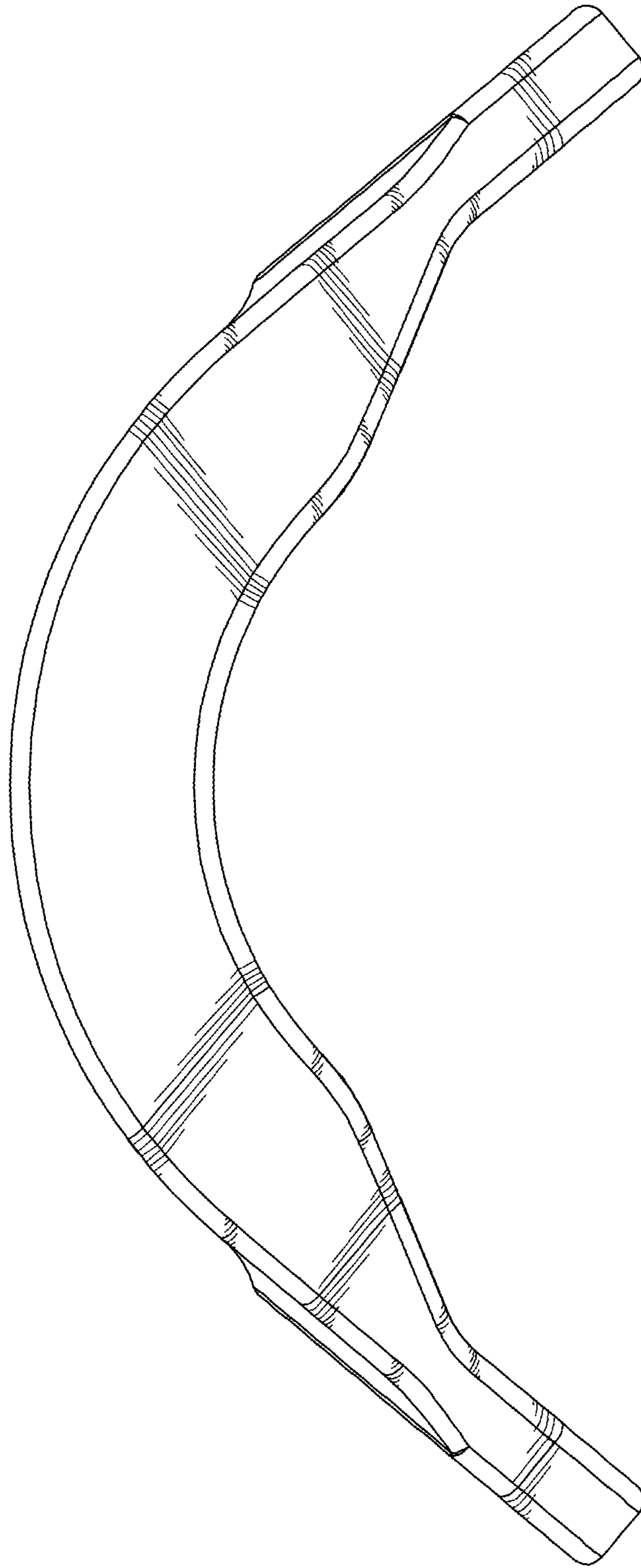


FIG. 23

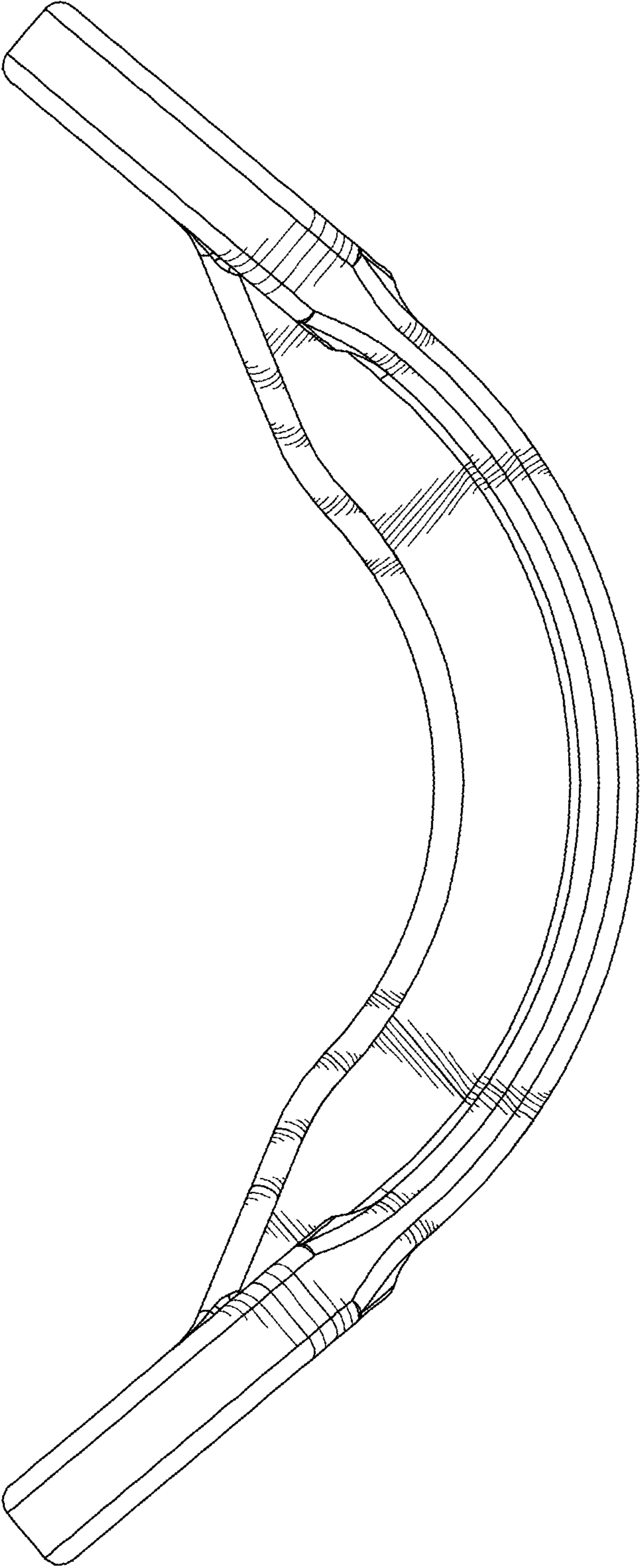


FIG. 24

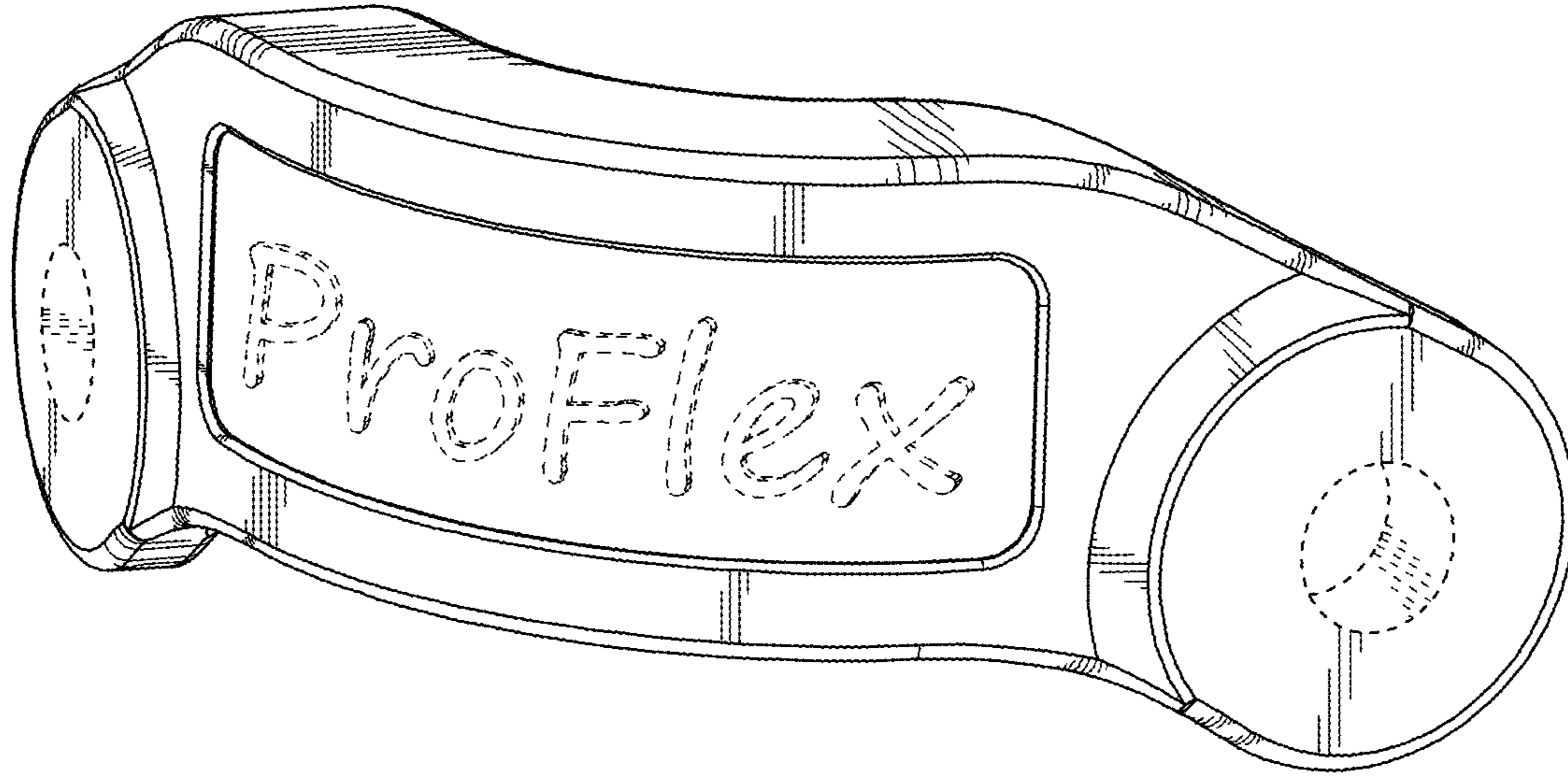


FIG. 25

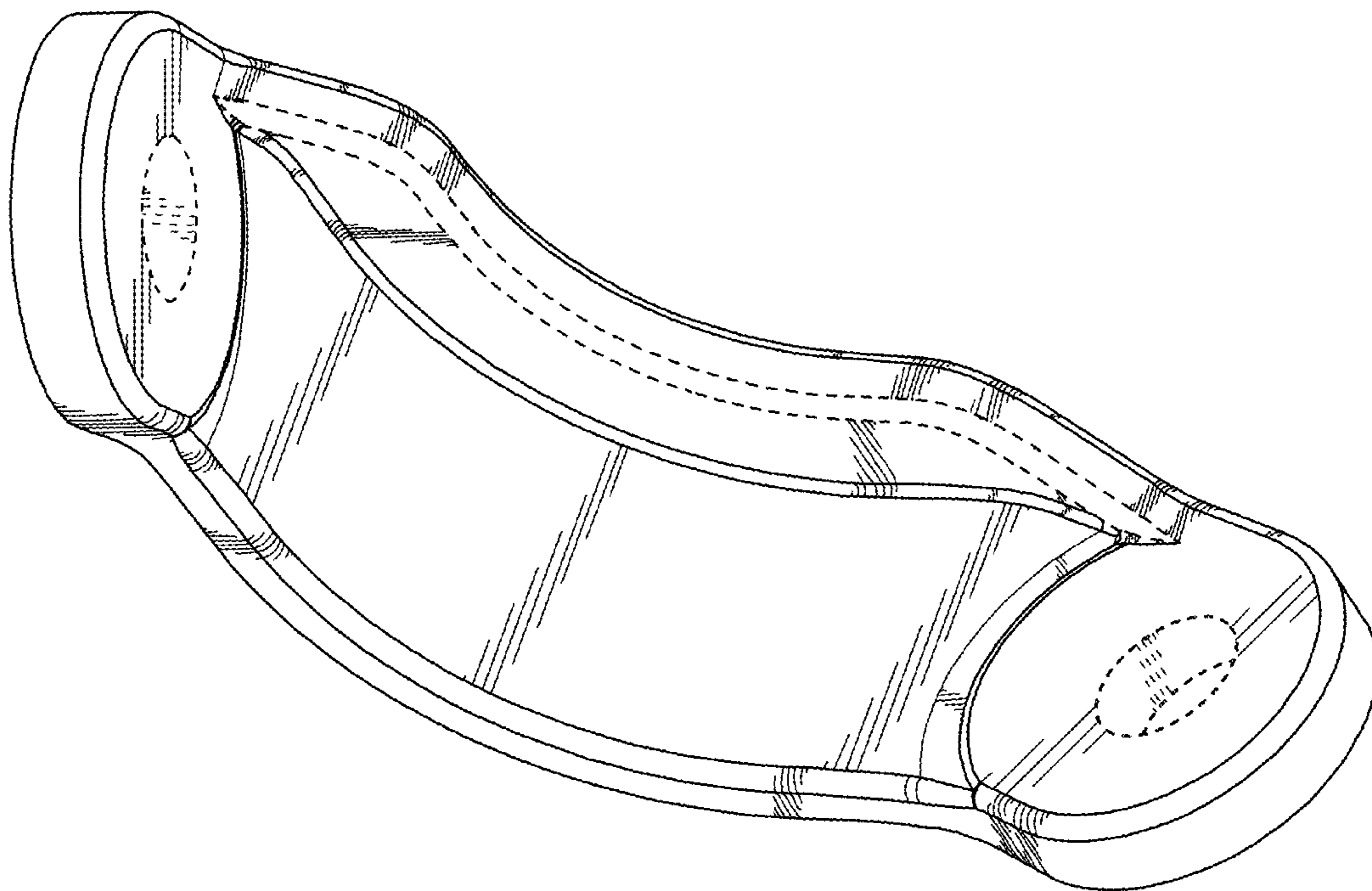


FIG. 26

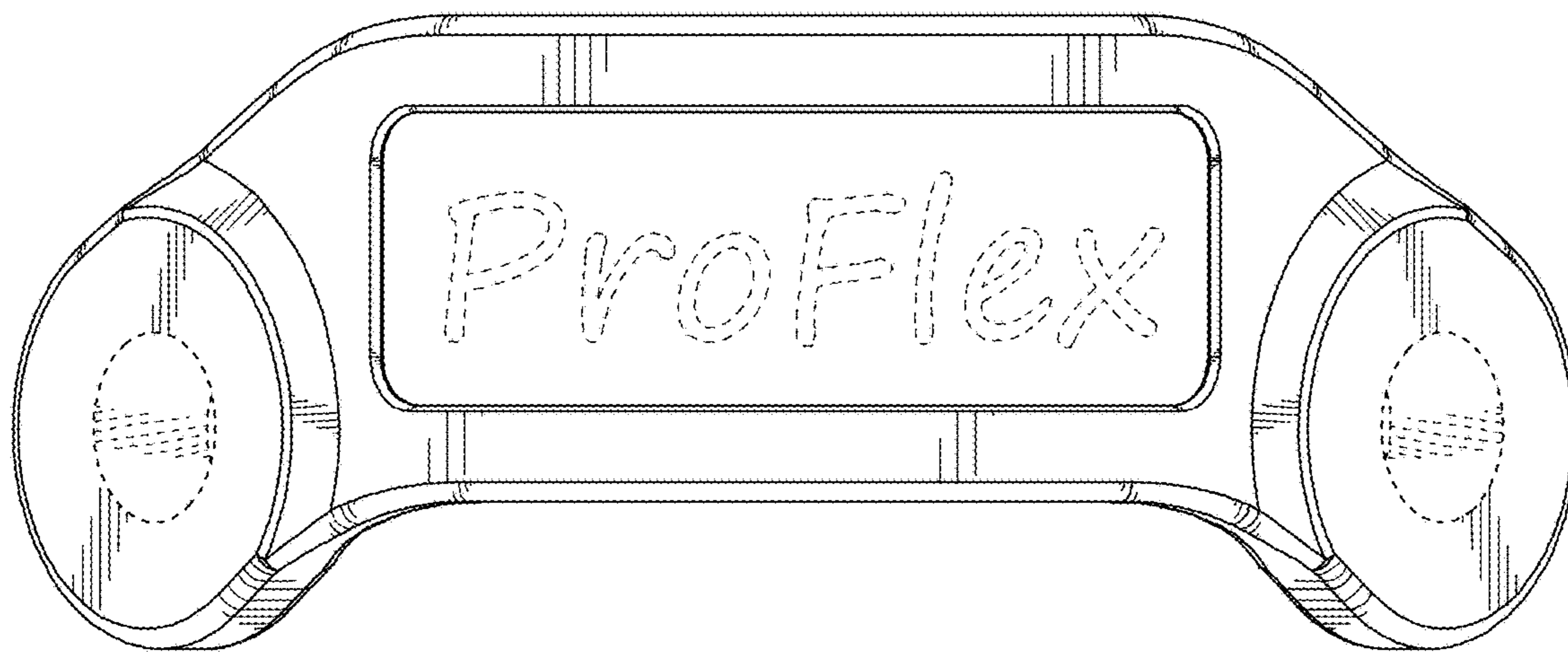


FIG. 27

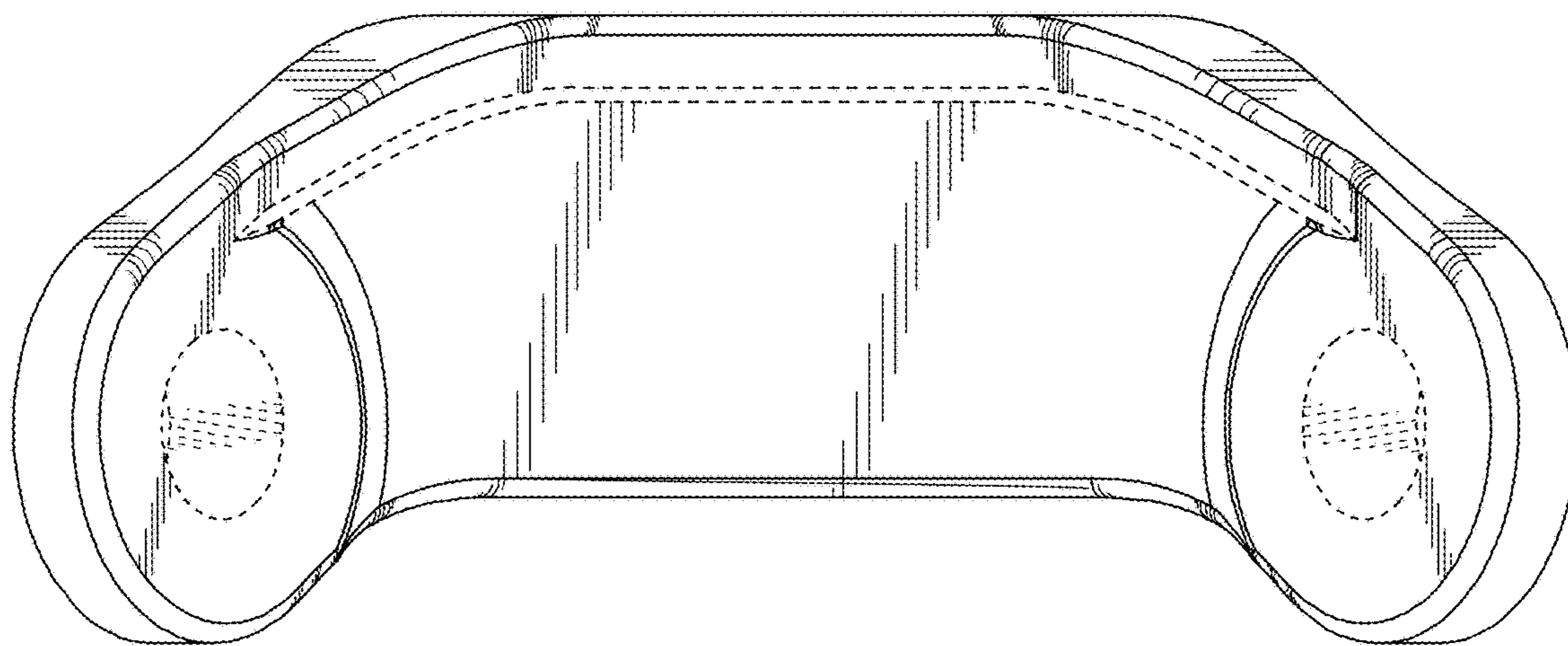


FIG. 28

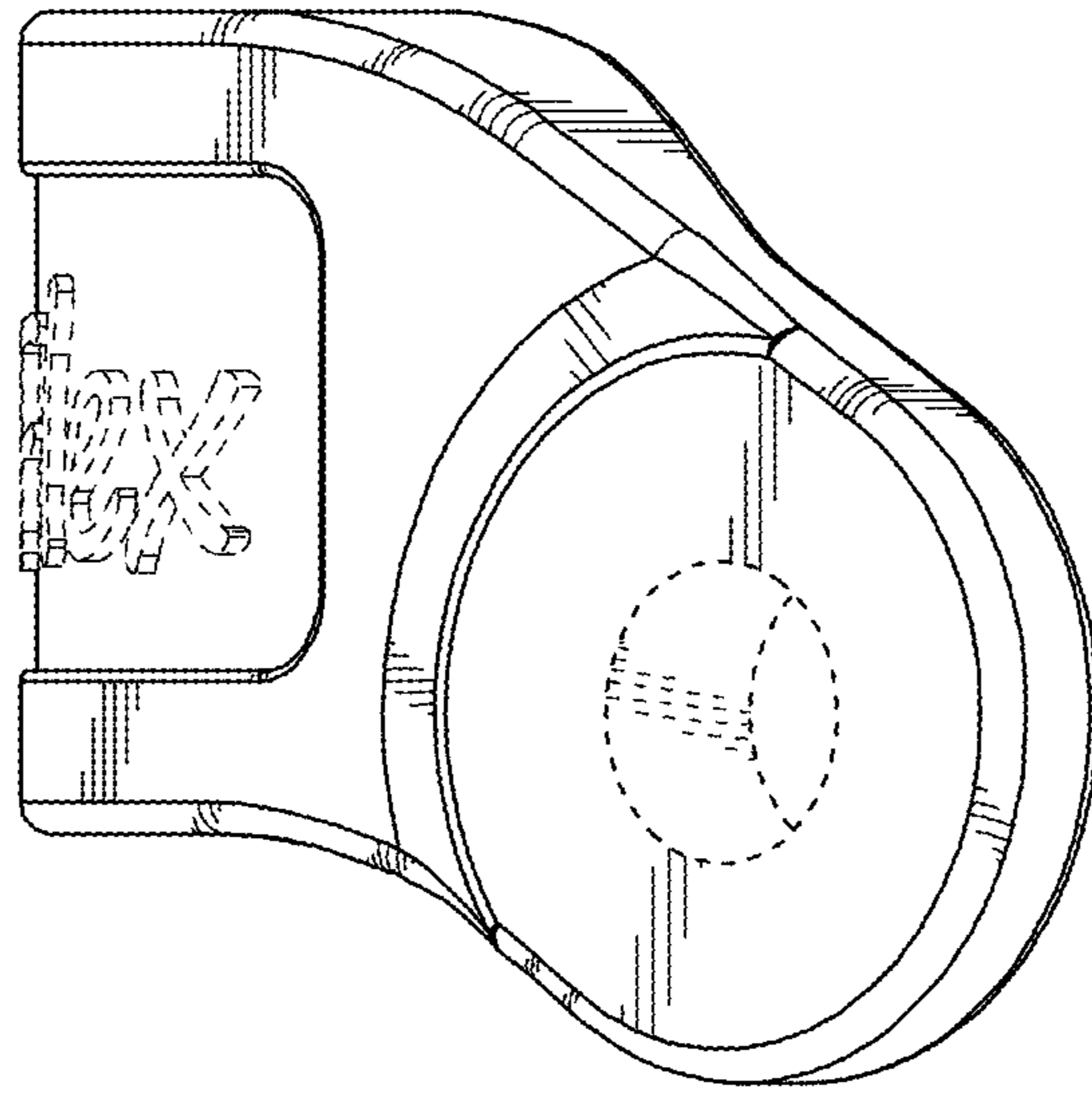


FIG. 29

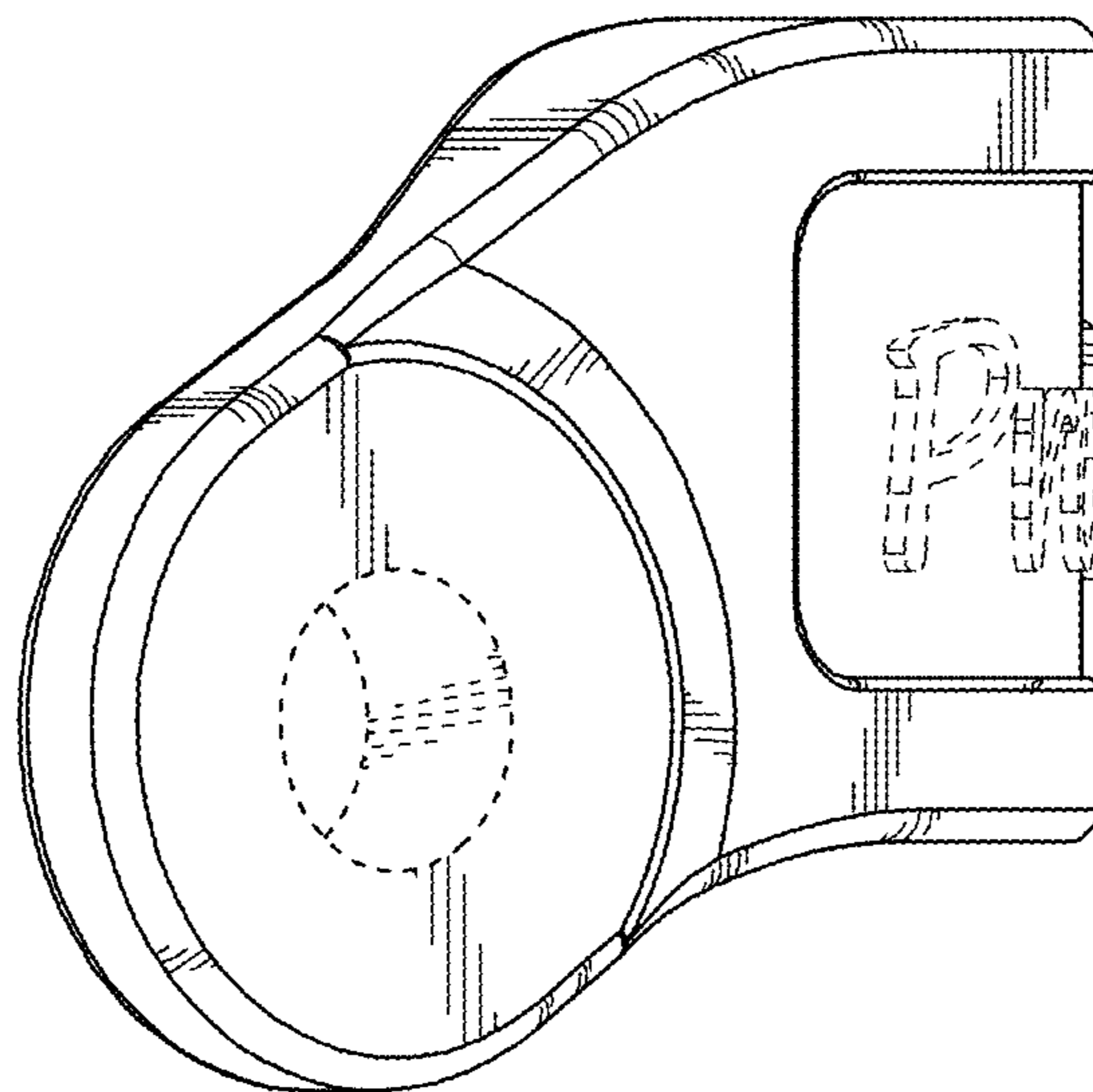


FIG. 30

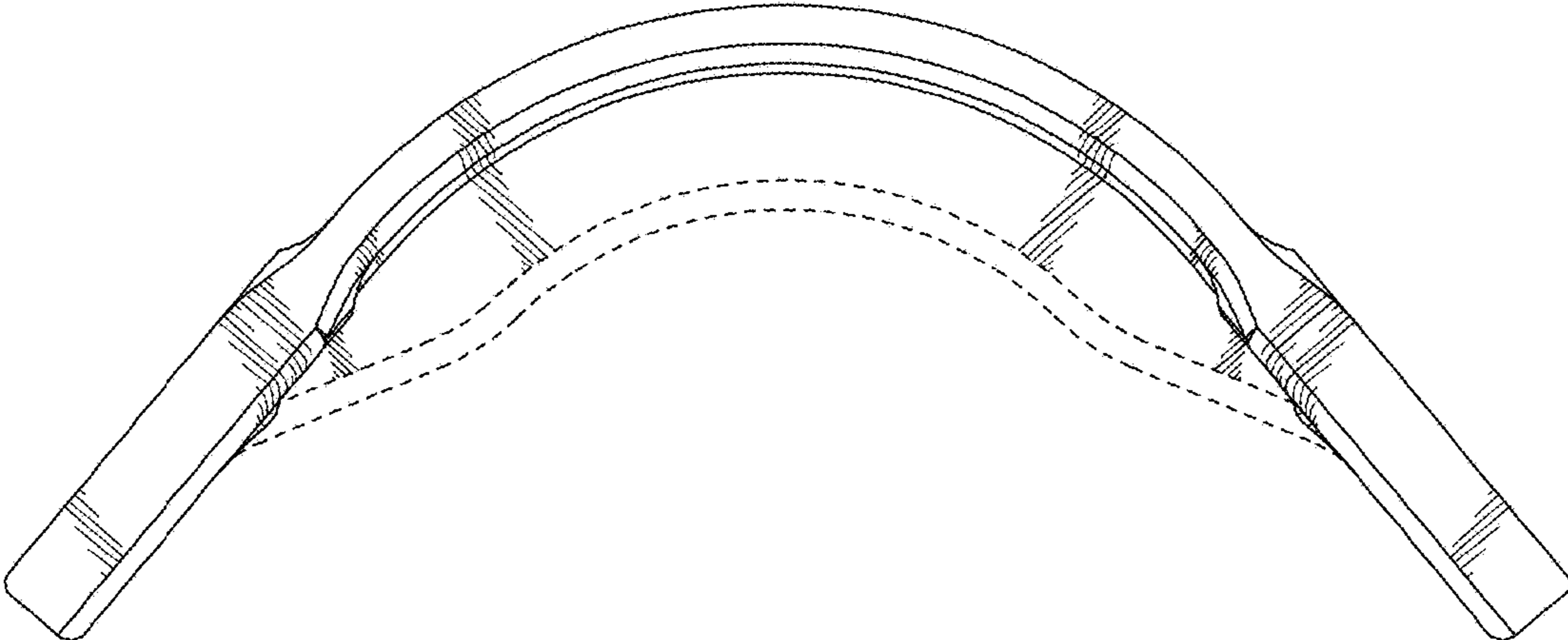


FIG. 31

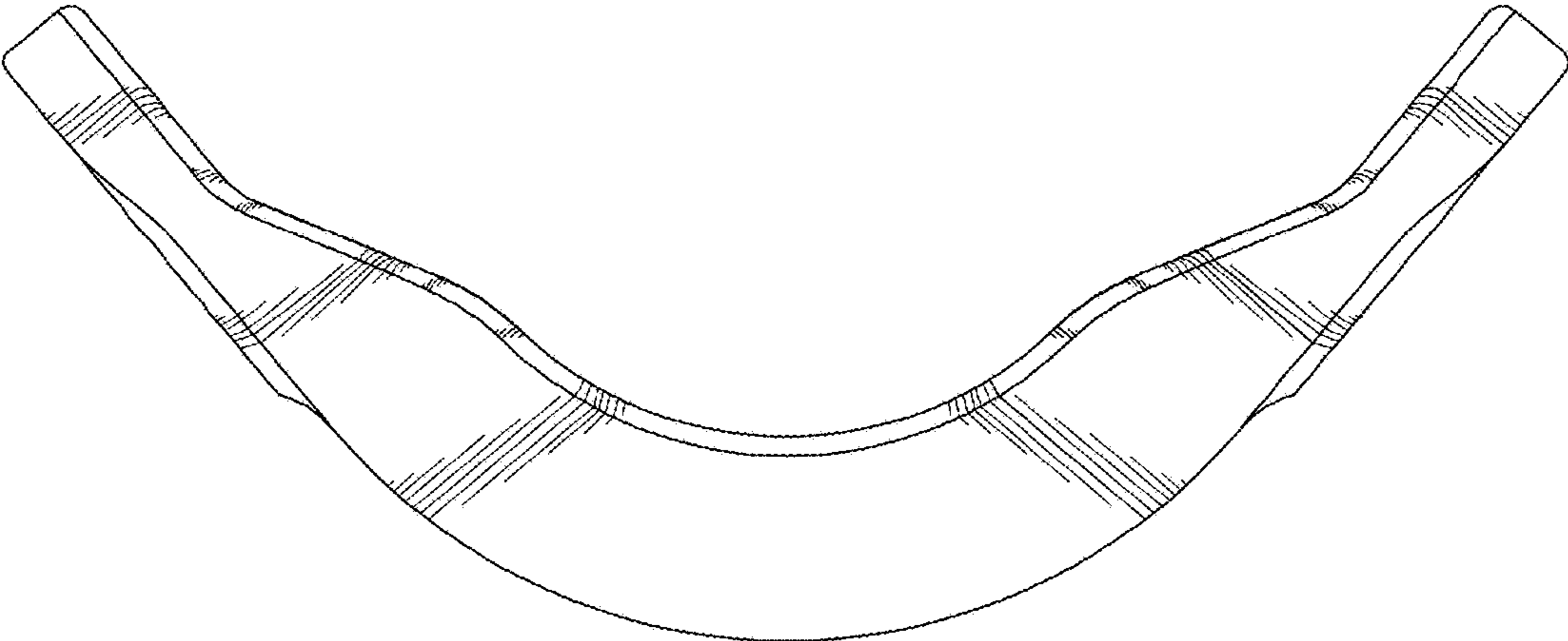


FIG. 32