



US00D848121S

(12) **United States Design Patent** (10) **Patent No.:** **US D848,121 S**  
**Wang** (45) **Date of Patent:** **\*\* May 14, 2019**

(54) **HAT**

(71) Applicant: **QINGDAO QIANFENG CAPART INT'L CORP.**, Qingdao, Shandong Province (CN)

(72) Inventor: **Ai'mei Wang**, Qingdao (CN)

(73) Assignee: **QINGDAO QIANFENG CAPART INT'L CORP.**, Qingdao, Shandong Province (CN)

(\*\*) Term: **15 Years**

(21) Appl. No.: **29/599,480**

(22) Filed: **Apr. 4, 2017**

(30) **Foreign Application Priority Data**

Mar. 5, 2017 (CN) ..... 2017 3 0060213

(51) **LOC (11) Cl.** ..... **02-03**

(52) **U.S. Cl.**  
USPC ..... **D2/882**

(58) **Field of Classification Search**  
USPC ..... D2/865, 866, 869, 871, 872, 873, 876, D2/879, 882, 886, 891, 893  
CPC ..... A42B 1/00; A42B 1/004; A42B 1/006; A42B 1/02; A42B 1/06; A42B 1/061; A42B 1/062; A42B 1/063; A42B 1/24; A42B 1/241

See application file for complete search history.

(56) **References Cited**

U.S. PATENT DOCUMENTS

D280,945 S *	10/1985	Foulkes	.....	D29/104
D417,941 S *	12/1999	Bass	.....	D2/869
D501,290 S *	2/2005	Zuloff	.....	D2/866
D503,516 S *	4/2005	Wysopal	.....	A42B 1/24
				D2/866
D527,871 S *	9/2006	Rogers	.....	D2/882
D568,583 S *	5/2008	Niles	.....	D2/882
D675,404 S *	2/2013	Parker	.....	D2/882
D707,018 S *	6/2014	Hart	.....	D2/882
D797,411 S *	9/2017	Shedd	.....	D2/882
D802,891 S *	11/2017	Chronos	.....	D2/882

\* cited by examiner

*Primary Examiner* — Karen S Acker

*Assistant Examiner* — Jasmine Mlinarcik

(74) *Attorney, Agent, or Firm* — Knobbe, Martens, Olson & Bear, LLP

(57) **CLAIM**

The ornamental design for hat, as shown.

**DESCRIPTION**

FIG. 1 is a front elevational view of a hat, showing my new design.

FIG. 2 is a rear elevational view thereof.

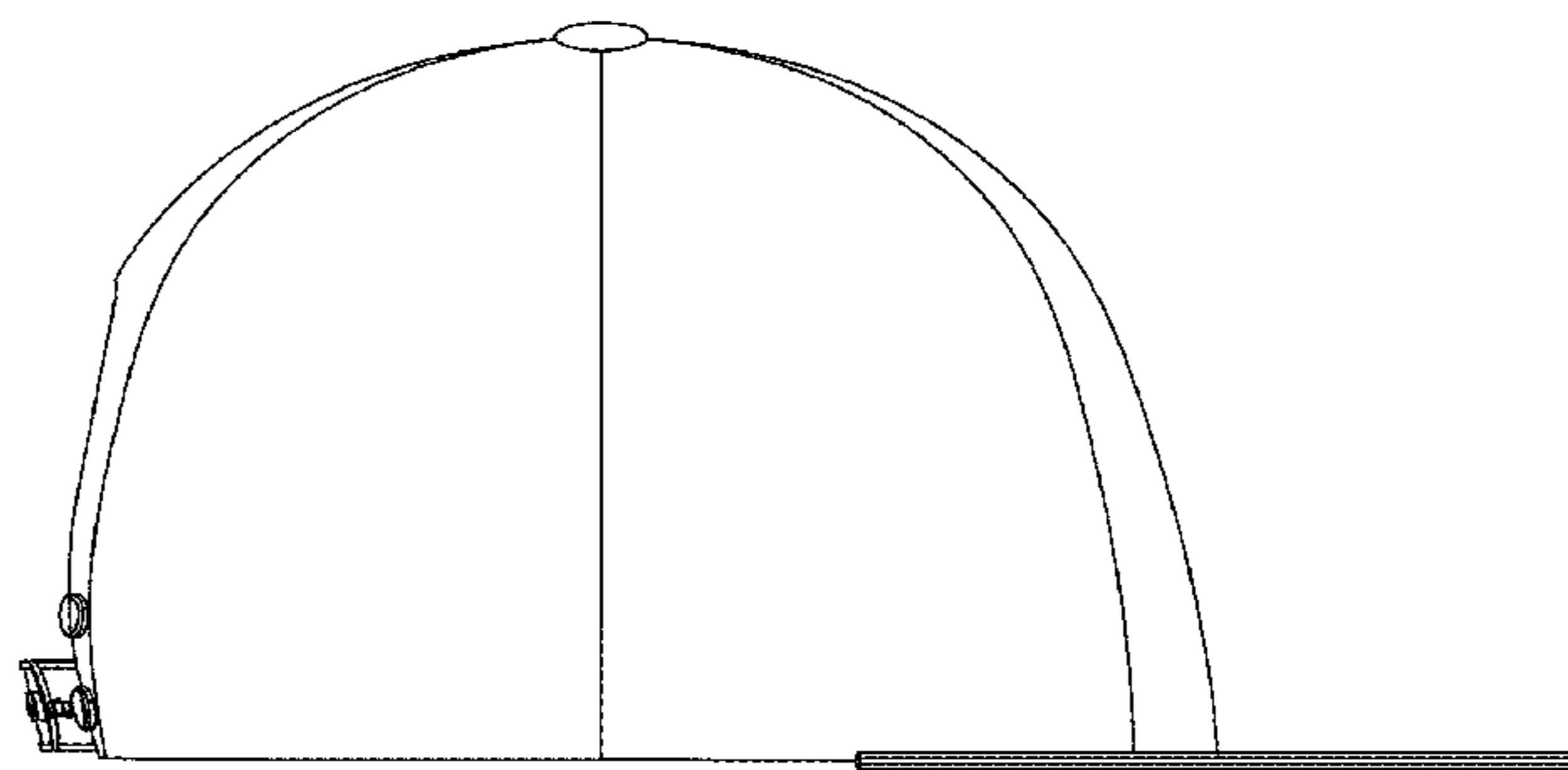
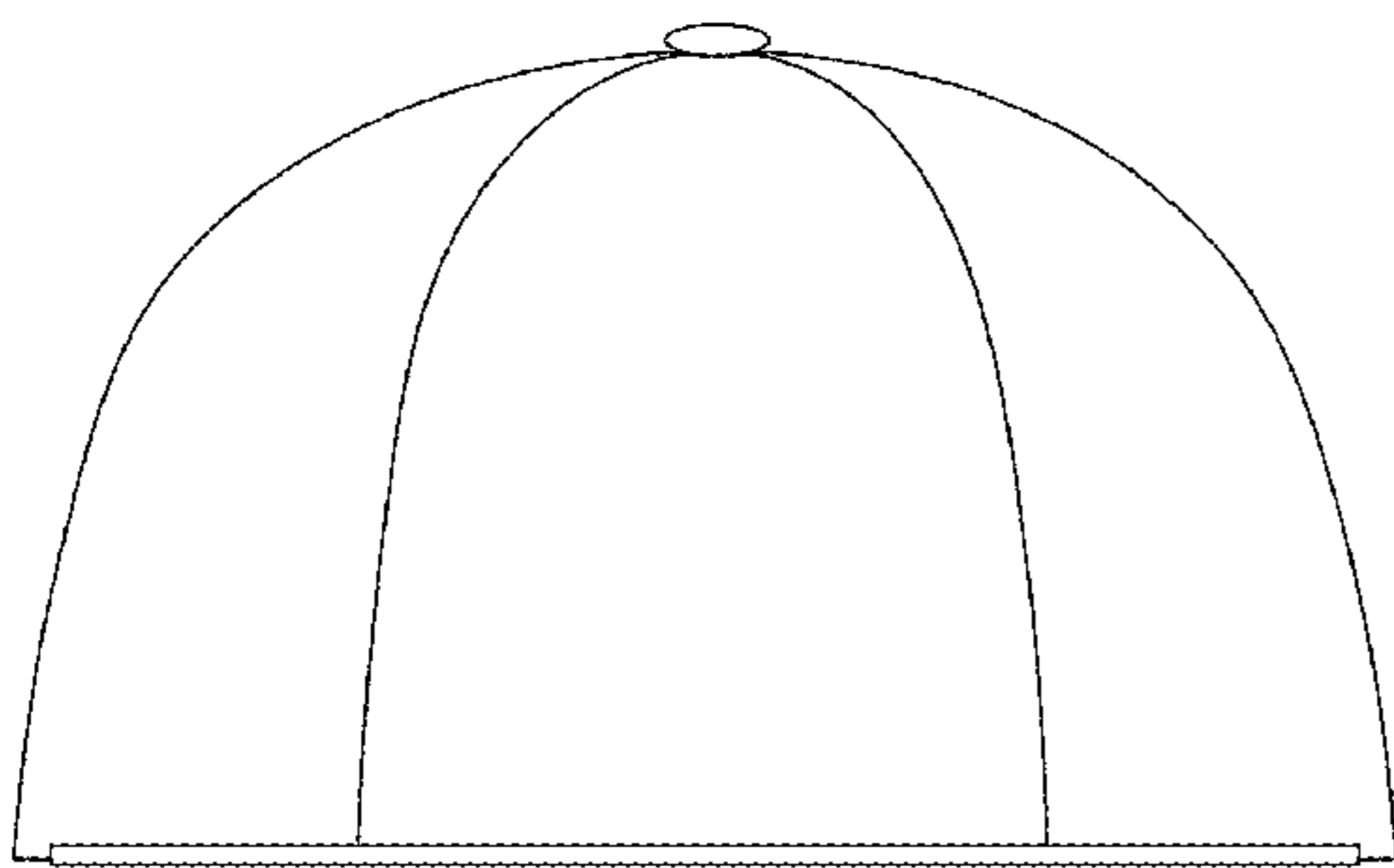
FIG. 3 is a right side elevational view thereof.

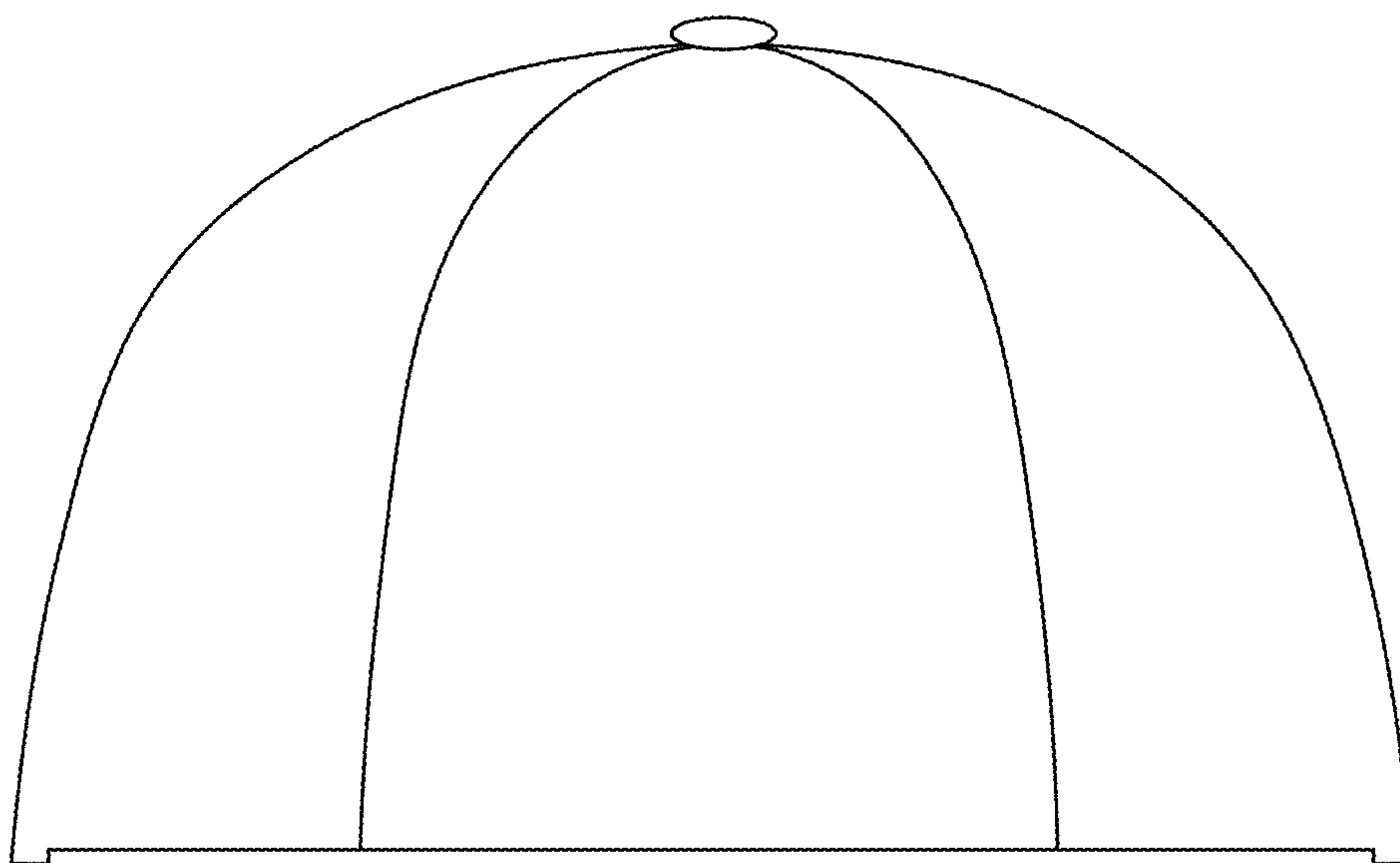
FIG. 4 is a left side elevational view thereof.

FIG. 5 is a top plan view thereof; and,

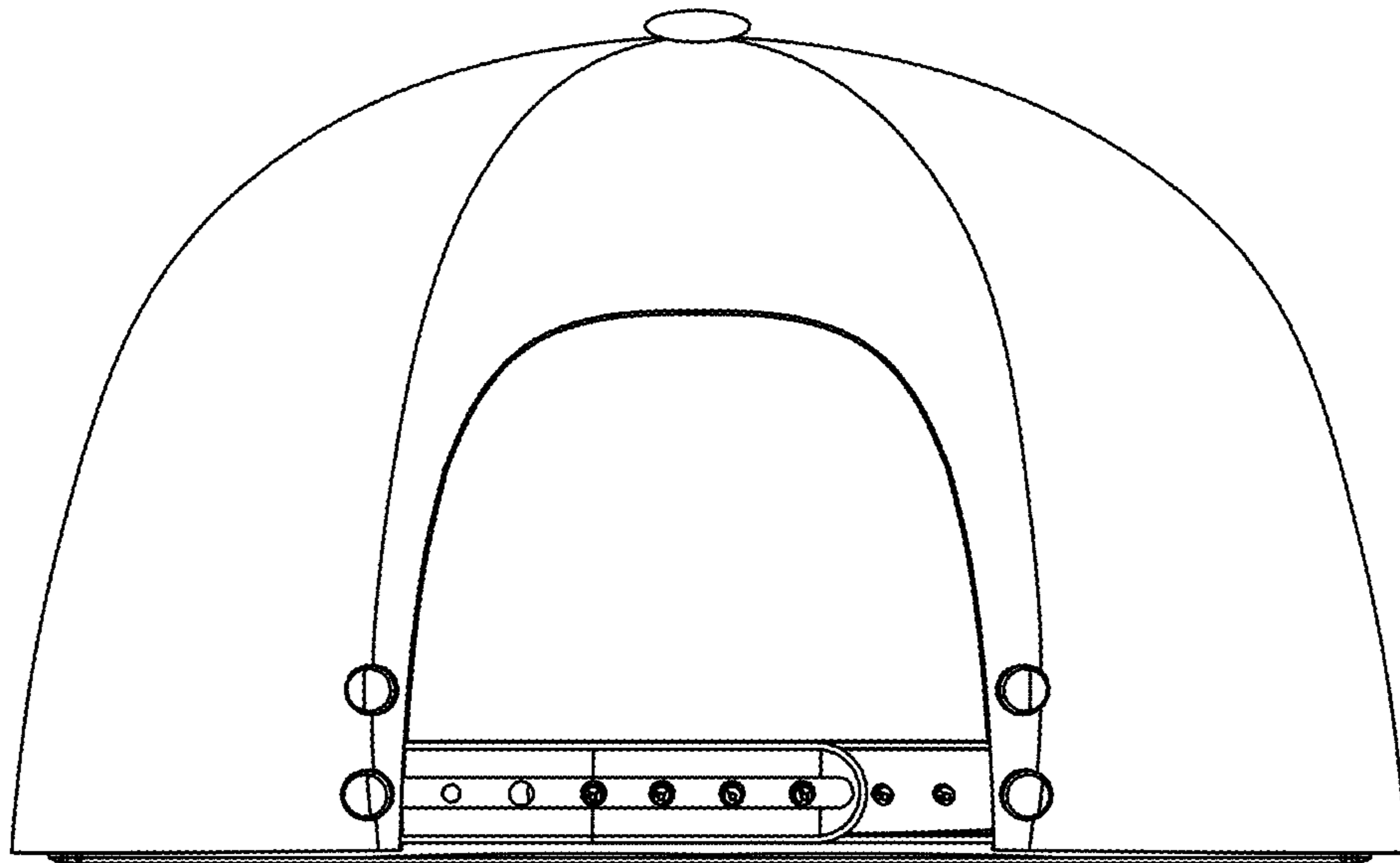
FIG. 6 is a bottom plan view thereof.

**1 Claim, 6 Drawing Sheets**

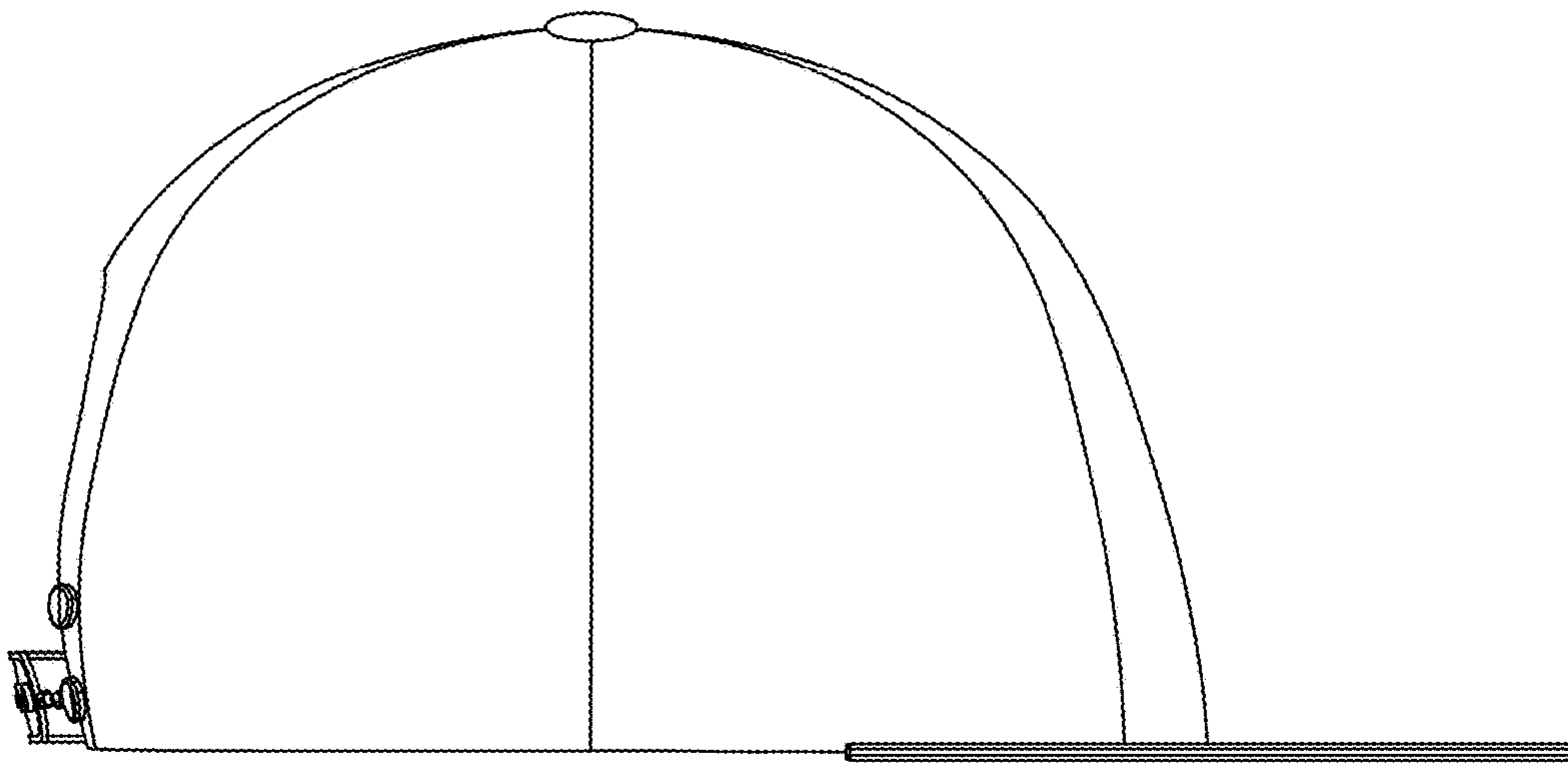




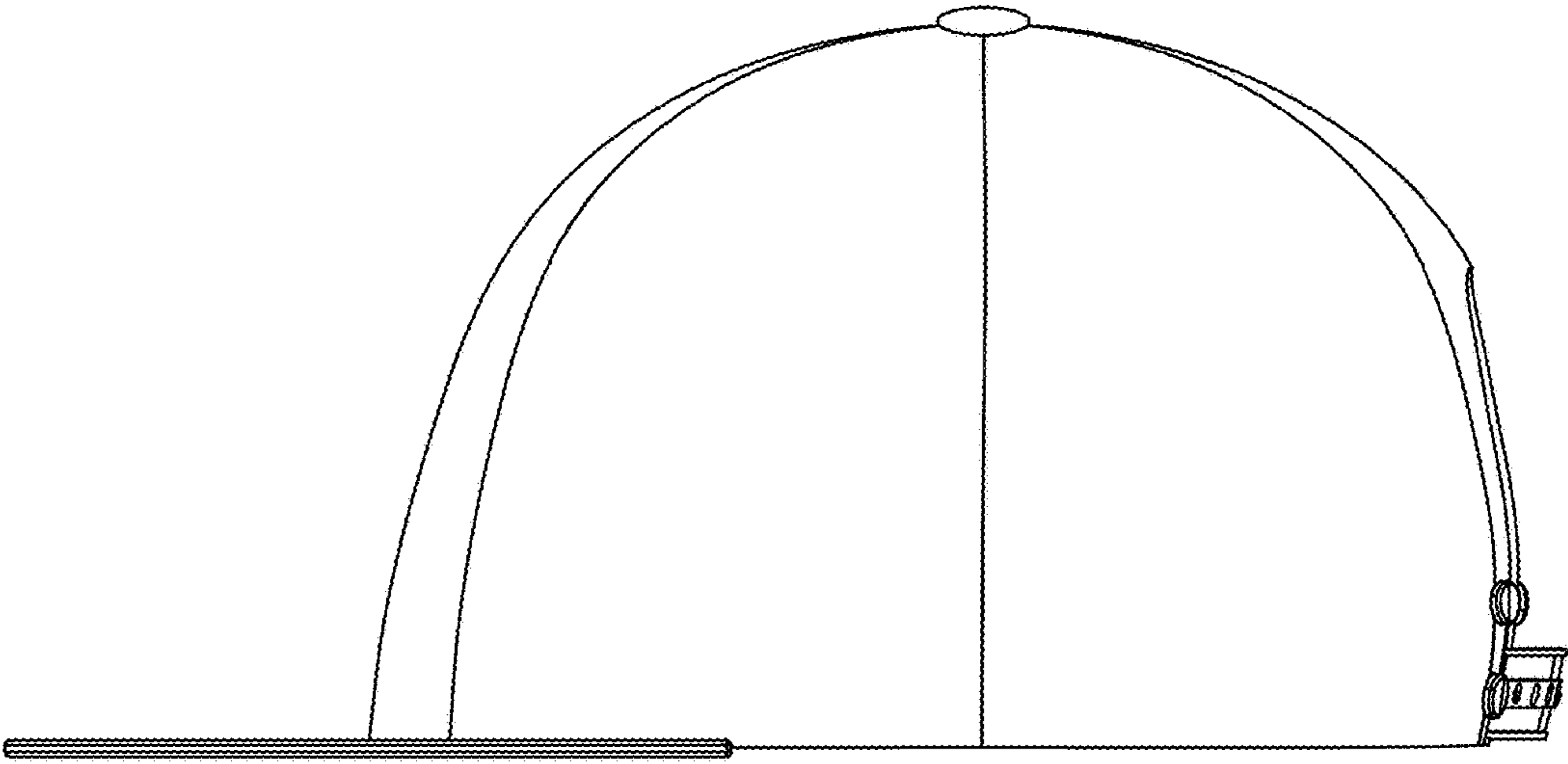
*FIG. 1*



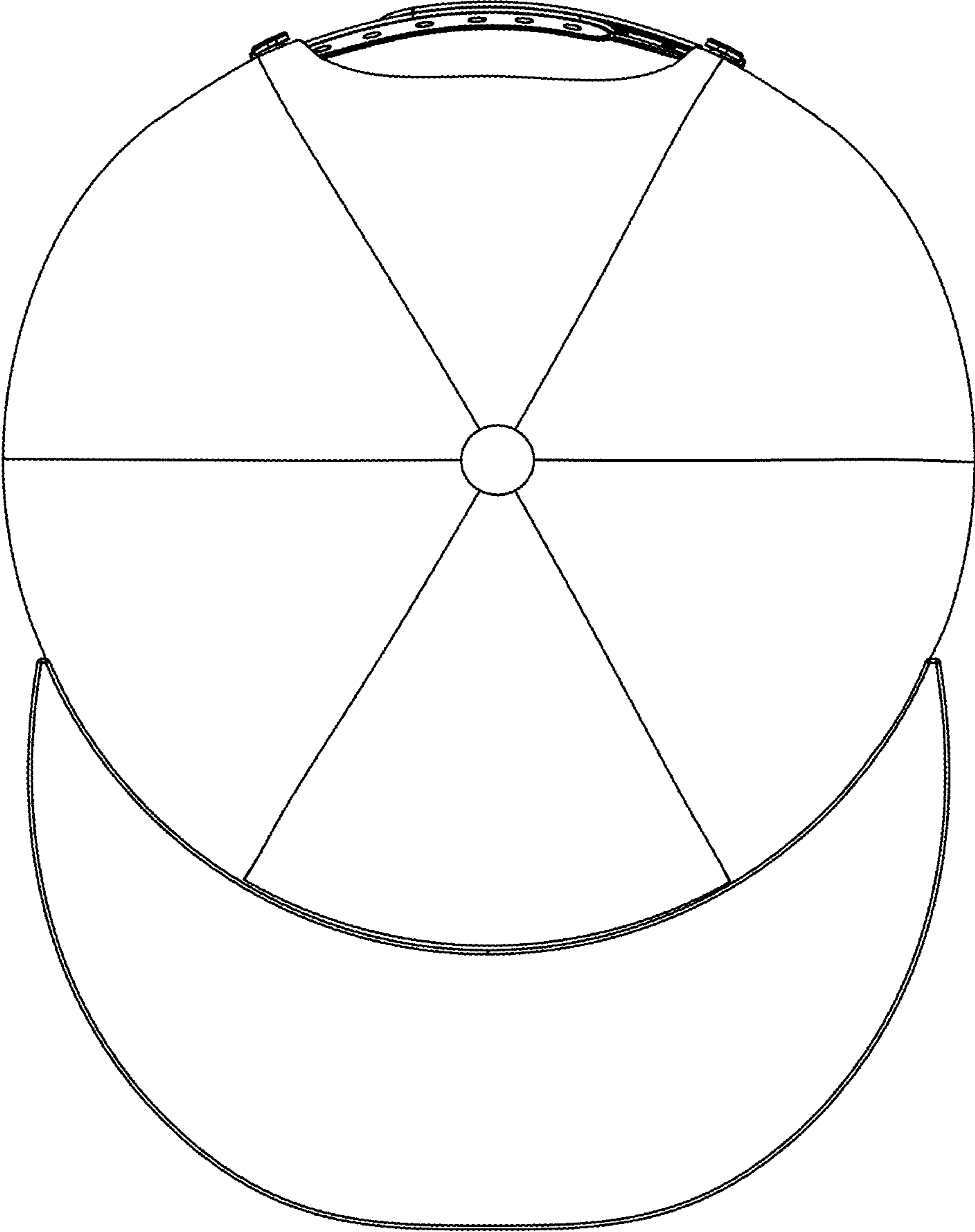
*FIG. 2*



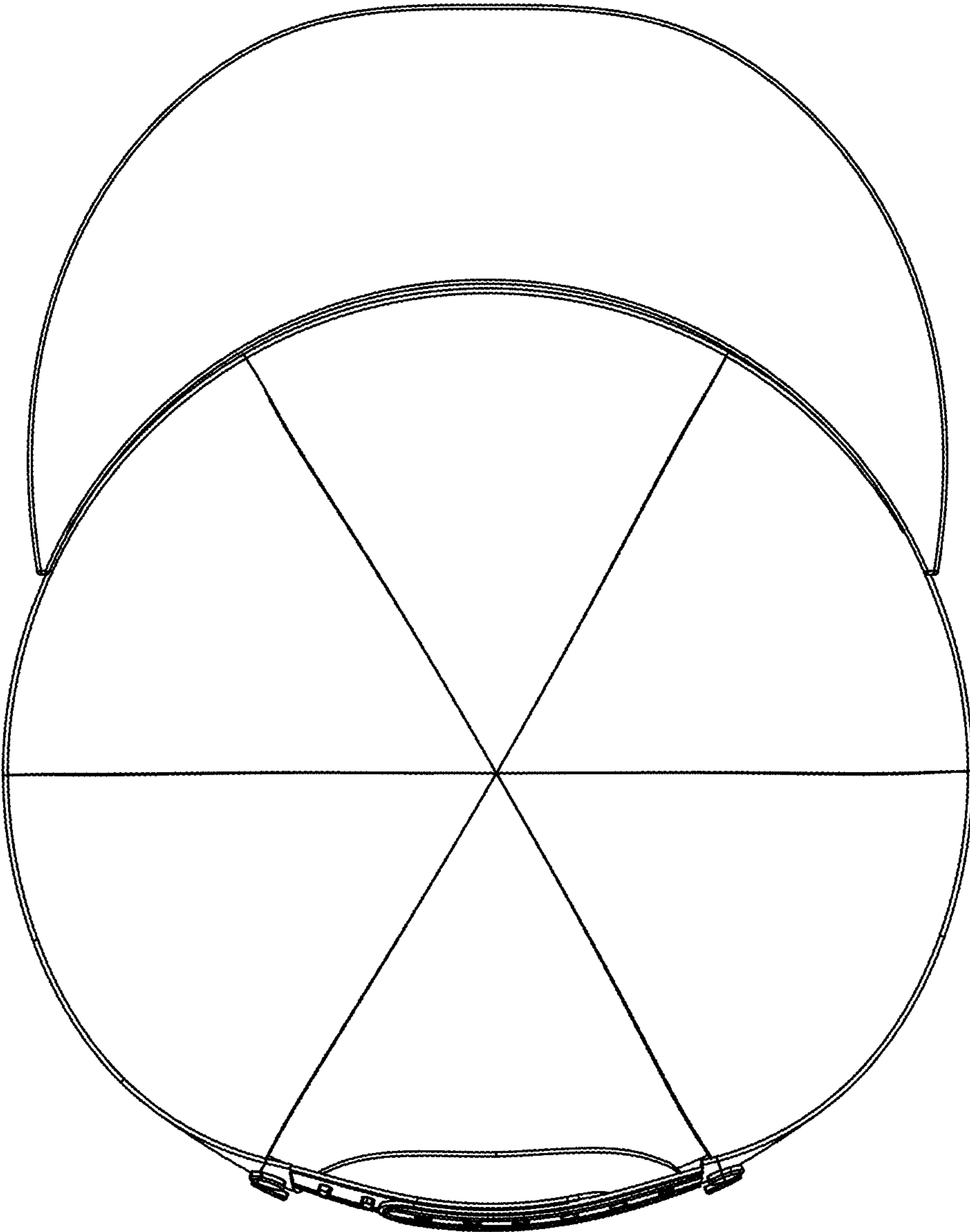
*FIG. 3*



*FIG. 4*



*FIG. 5*



*FIG. 6*