



US00D848104S

(12) **United States Design Patent**
Giannatti

(10) **Patent No.:** **US D848,104 S**

(45) **Date of Patent:** **** May 7, 2019**

(54) **RAMP**

(71) Applicant: **Winston Products, LLC**, Cleveland, OH (US)

(72) Inventor: **Nick D. Giannatti**, Hudson, OH (US)

(73) Assignee: **Winston Products, LLC**, Cleveland, OH (US)

(**) Term: **15 Years**

(21) Appl. No.: **29/643,111**

(22) Filed: **Apr. 4, 2018**

Related U.S. Application Data

(63) Continuation of application No. 29/596,314, filed on Mar. 7, 2017, now Pat. No. Des. 820,549.

(51) **LOC (11) Cl.** **12-05**

(52) **U.S. Cl.**
USPC **D34/32**

(58) **Field of Classification Search**

USPC D25/62-65, 68, 69; 182/33, 180.1, 222;
D34/32, 22; 414/401, 523, 537, 546,
414/563; 14/69.5, 71.1; 254/88; 296/61;
D12/42; D30/199

CPC . E06C 1/393; E06C 1/387; E06C 1/39; E06C
1/383; E06C 1/14; B60P 1/435; B60P
1/43; B66F 7/243; B65G 69/28

See application file for complete search history.

(56) **References Cited**

U.S. PATENT DOCUMENTS

D264,199 S	5/1982	Wood
D354,603 S	1/1995	Bullard
D401,731 S	11/1998	Jeruss
6,431,815 B1	8/2002	Zarzecki et al.
6,868,574 B2	3/2005	Schomaker et al.
7,100,232 B2	9/2006	Zhang

7,258,384 B2	8/2007	Drabik et al.
7,350,255 B2	4/2008	Zhang
D617,972 S	6/2010	Lucht
7,832,975 B1	11/2010	Mitchell
9,073,475 B2	7/2015	Chastain, Jr.
9,221,631 B2	12/2015	Breedon, III et al.
D756,573 S	5/2016	Jakubowski et al.
D796,996 S	9/2017	Marsh et al.
2016/0137117 A1	5/2016	Parrish

Primary Examiner — Cynthia Ramirez

Assistant Examiner — Gino Colan

(74) *Attorney, Agent, or Firm* — Tucker Ellis LLP

(57) **CLAIM**

The ornamental design for a ramp, as shown and described.

DESCRIPTION

FIG. 1 is a perspective view of a ramp showing my new design in an extended position.

FIG. 2 is a front view thereof, shown in a larger scale.

FIG. 3 is a rear view thereof, shown in larger scale.

FIG. 4 is a top view thereof.

FIG. 5 is a bottom view thereof.

FIG. 6 is a right side elevation view thereof.

FIG. 7 is a left side elevation view thereof.

FIG. 8 is a perspective view of the ramp in a folded position, shown in a larger scale.

FIG. 9 is a front view thereof, shown in a larger scale.

FIG. 10 is a rear view thereof, shown in a larger scale.

FIG. 11 is a top view thereof.

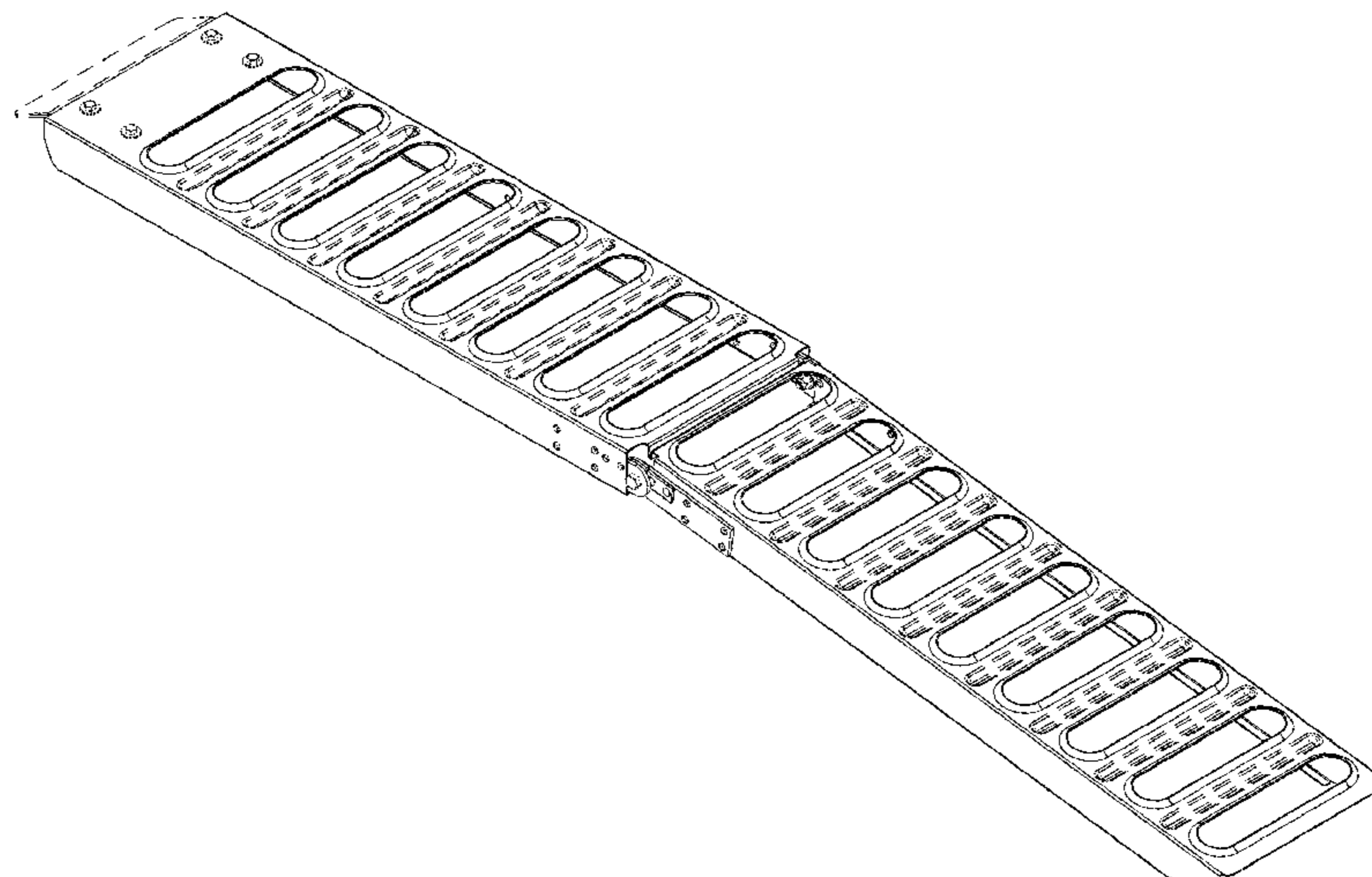
FIG. 12 is a bottom view thereof.

FIG. 13 is a right side elevation view thereof, shown in a larger scale; and,

FIG. 14 is a left side elevation view thereof, shown in a larger scale.

The broken lines shown in the figures are for the purpose of illustrating portions of the ramp and form no part of the claimed design.

1 Claim, 8 Drawing Sheets



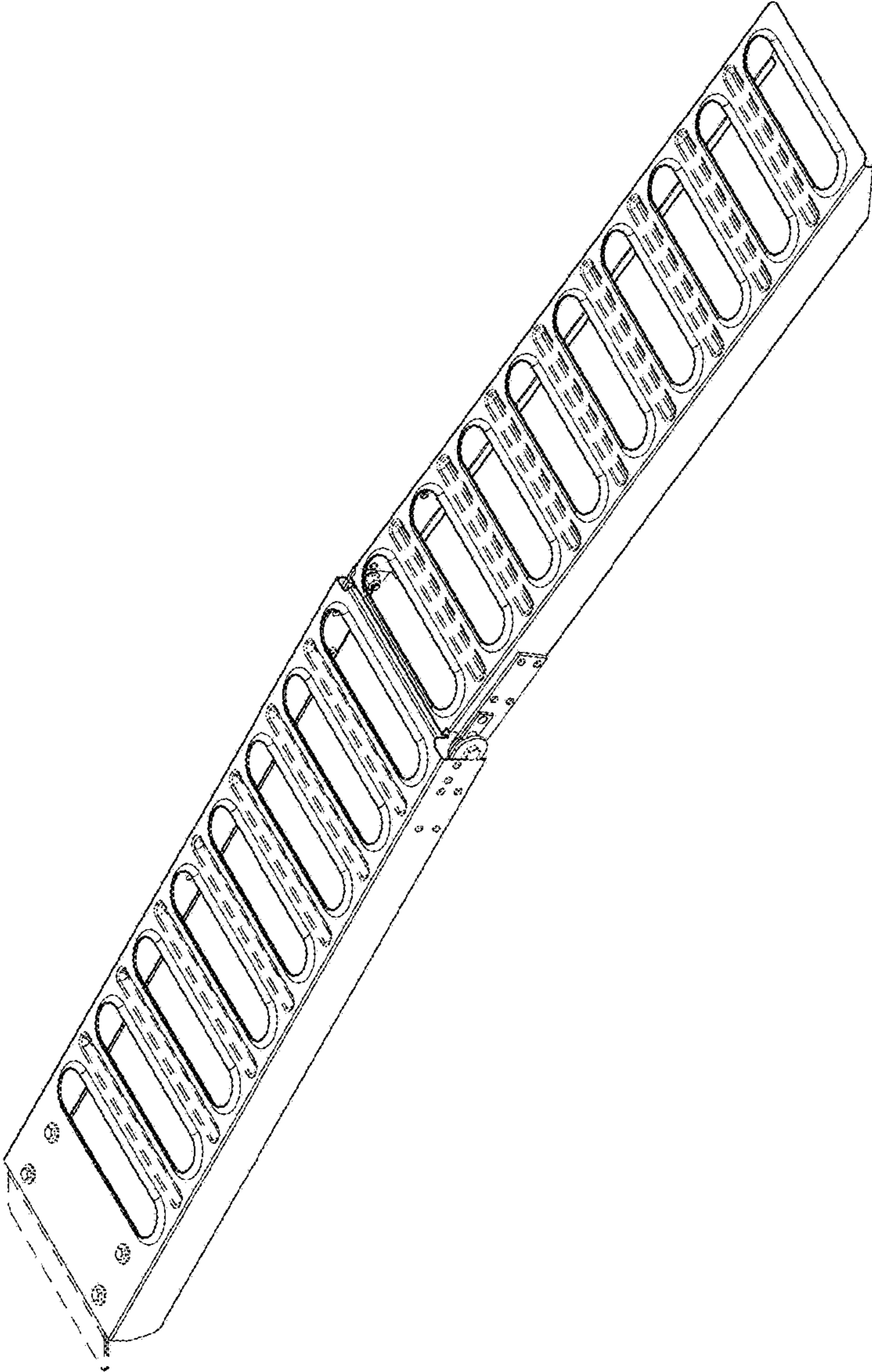


FIG. 1

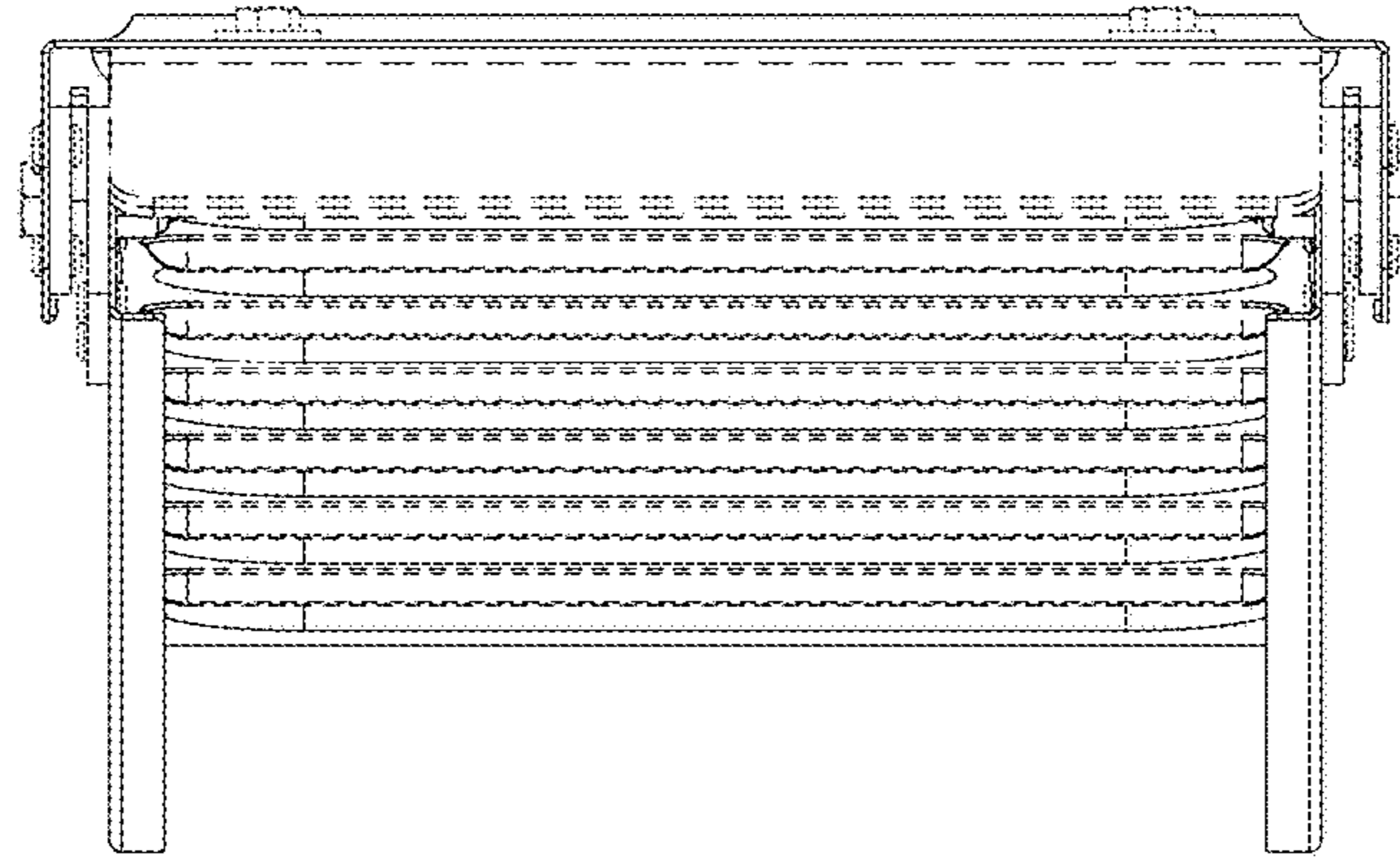


FIG. 2

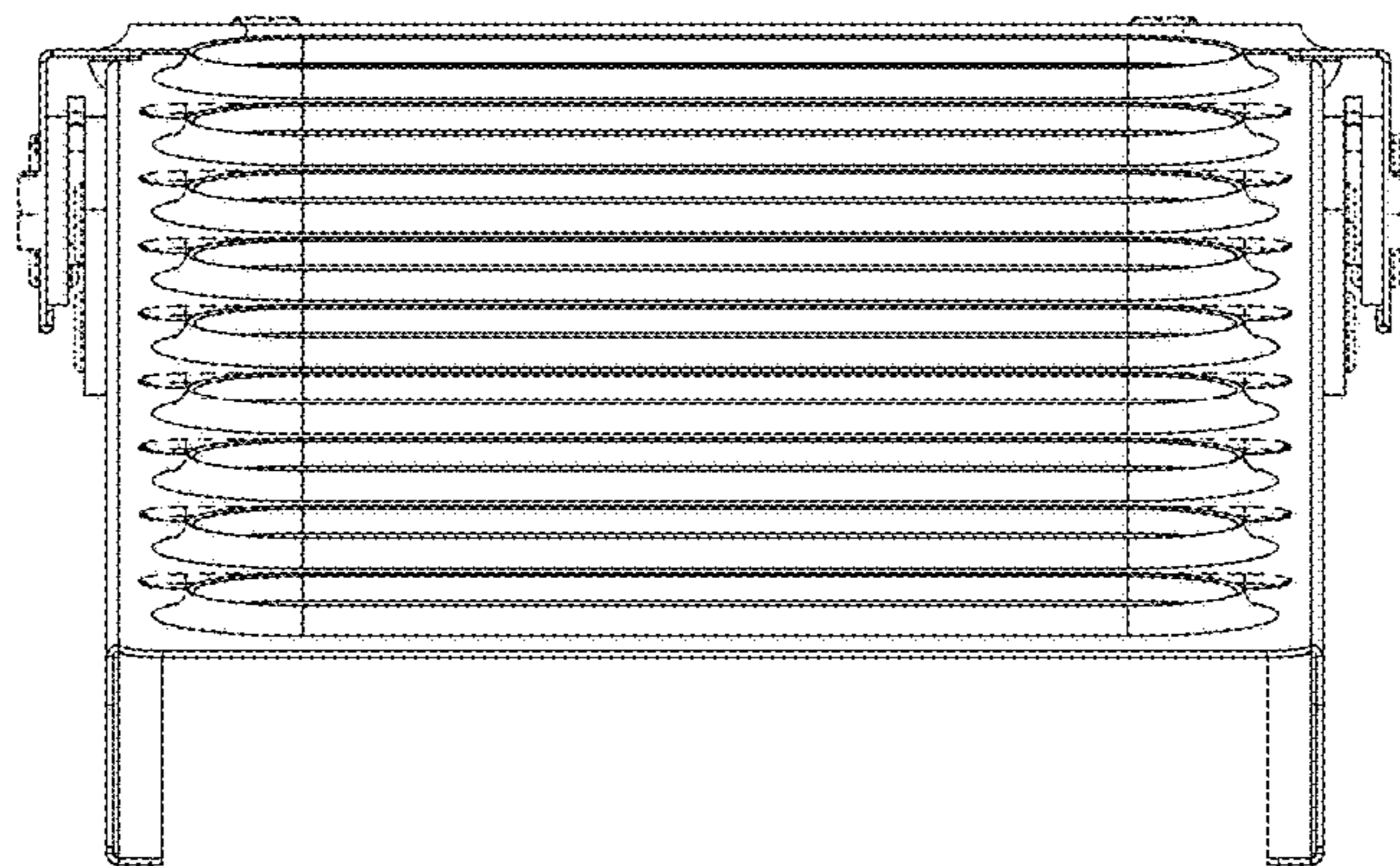


FIG. 3

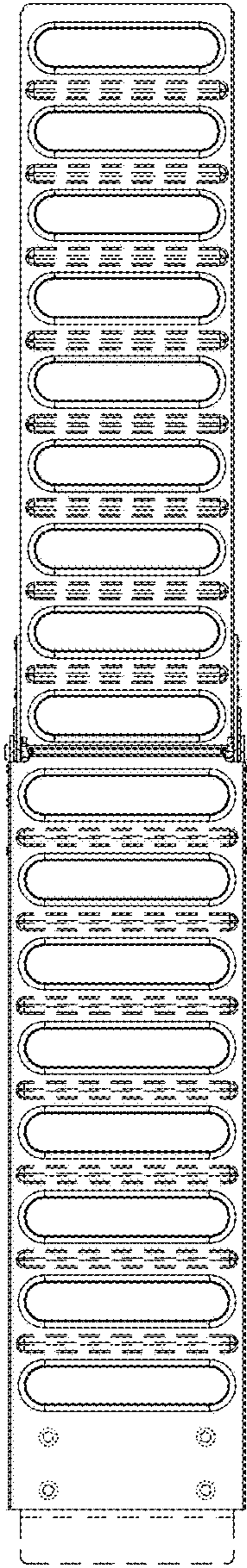


FIG. 4

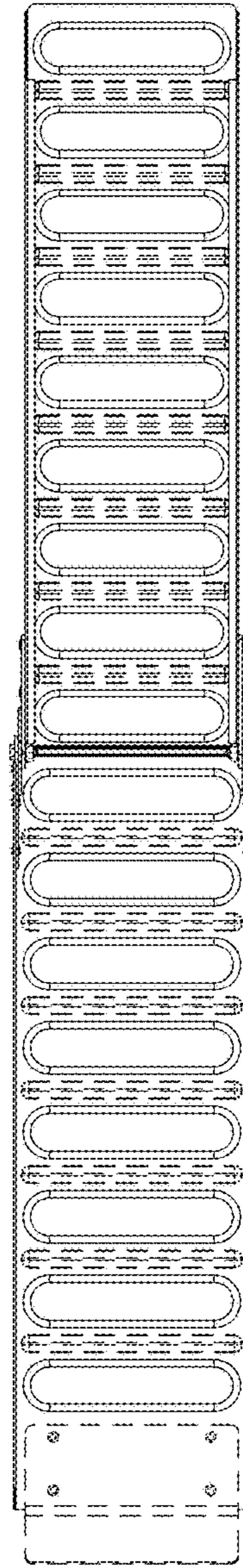


FIG. 5

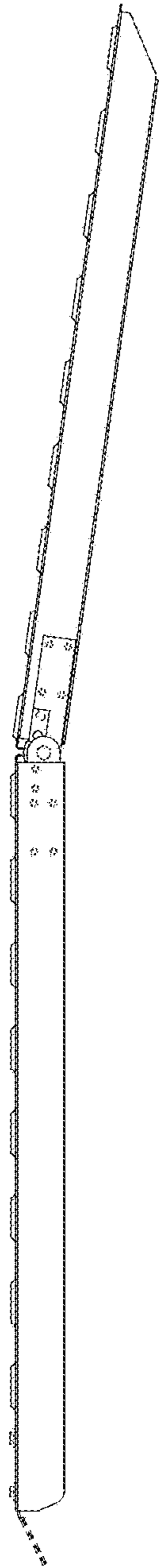


FIG. 6

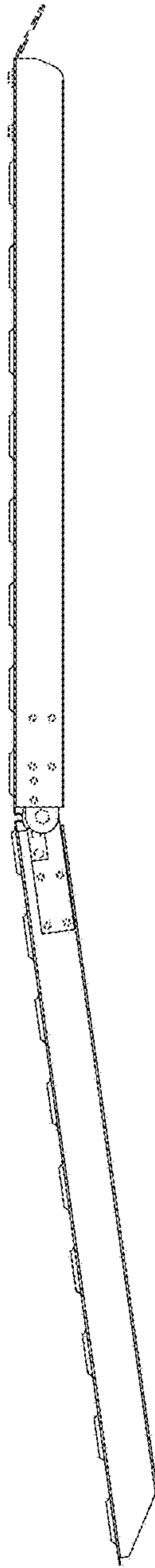


FIG. 7

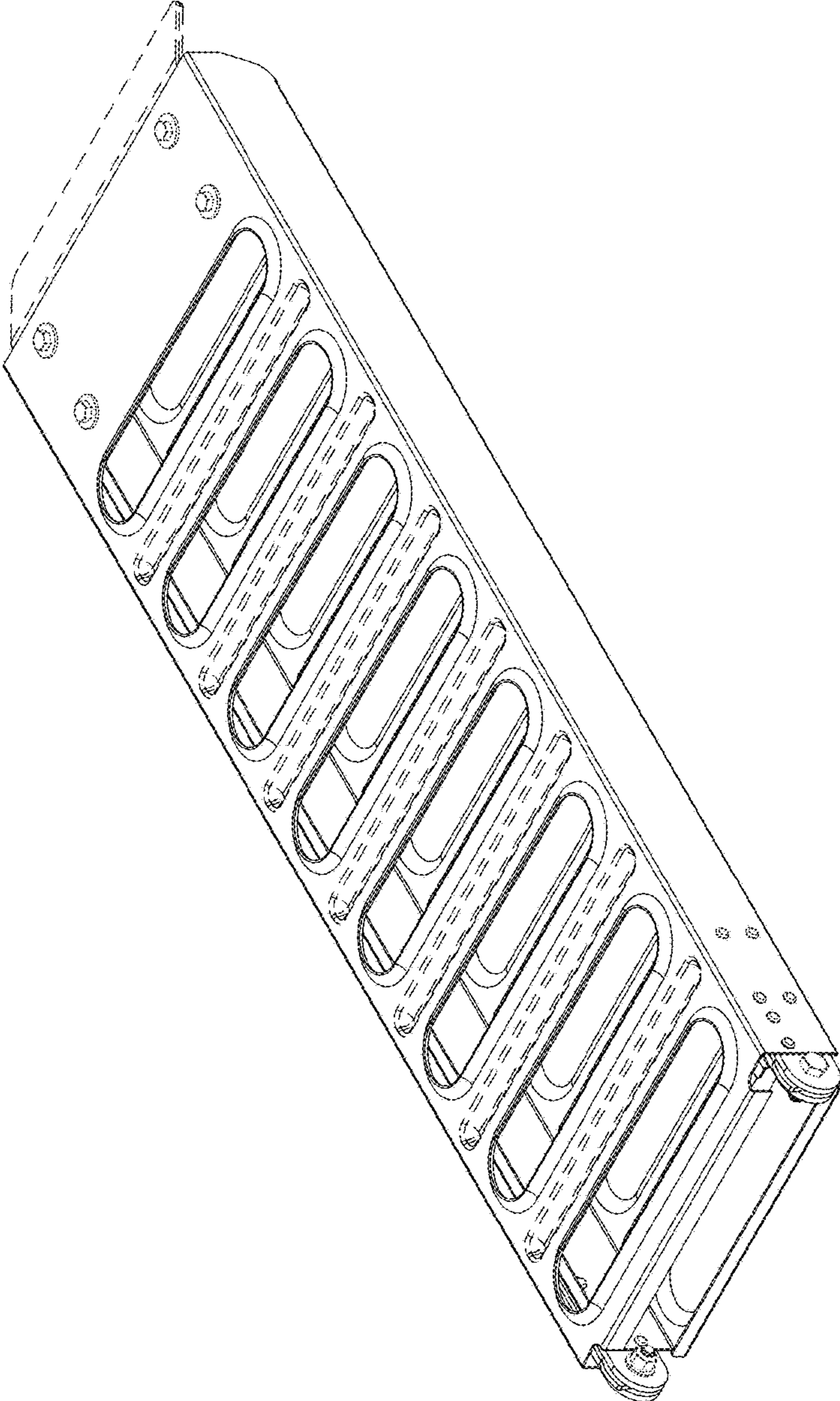


FIG. 8

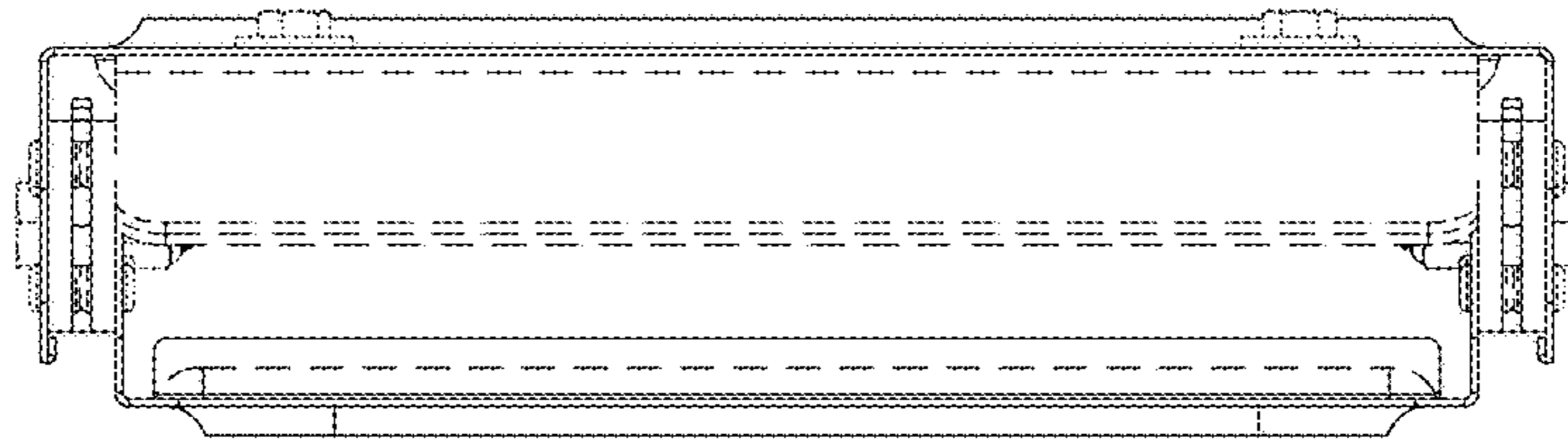


FIG. 9

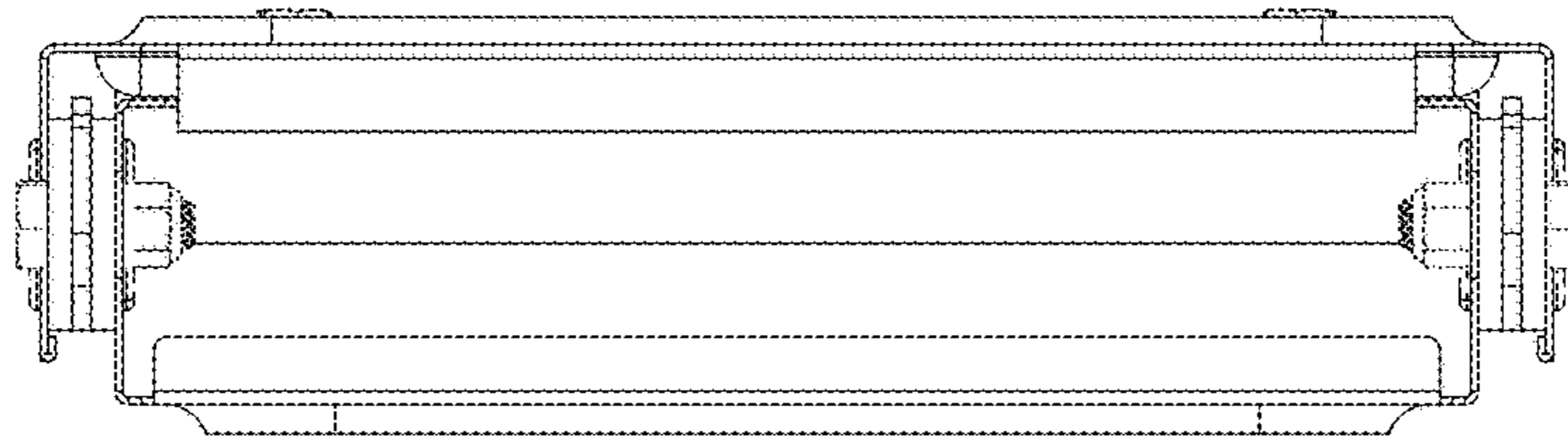


FIG. 10

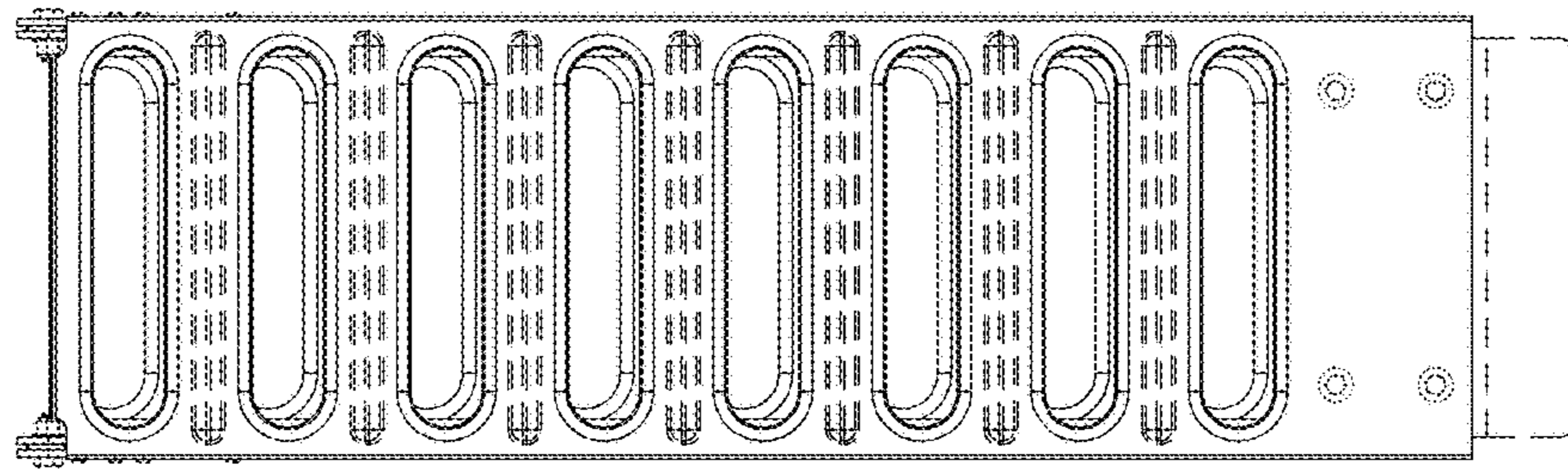


FIG. 11

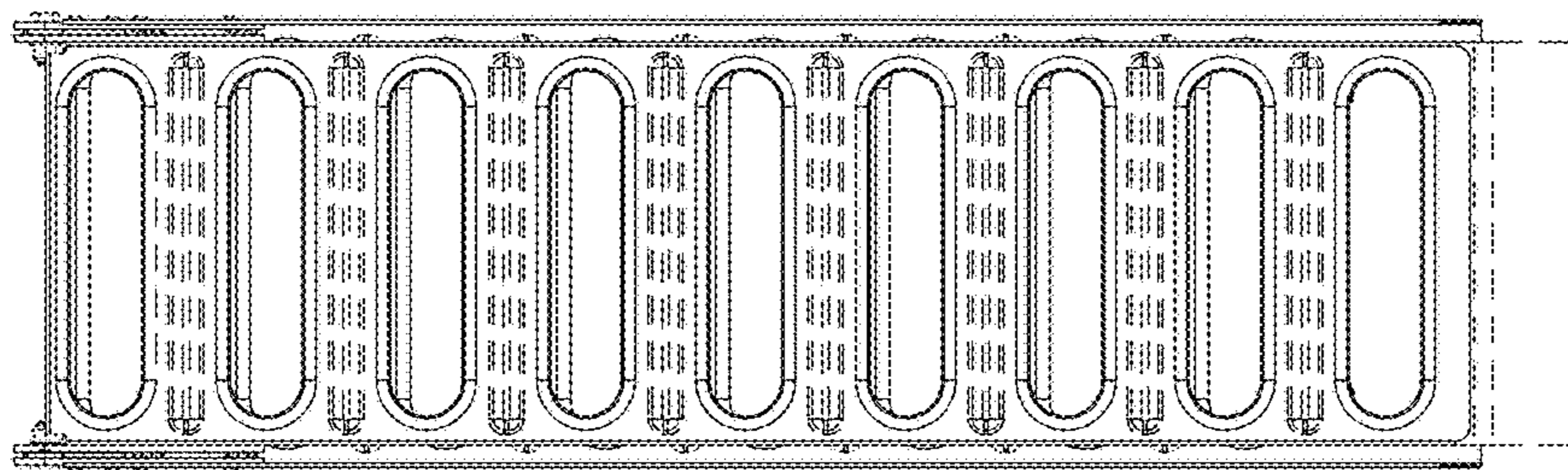


FIG. 12

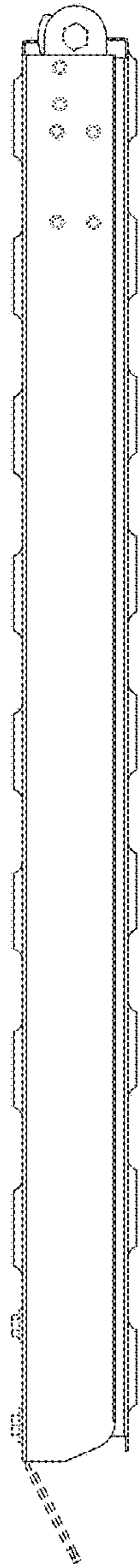


FIG. 13

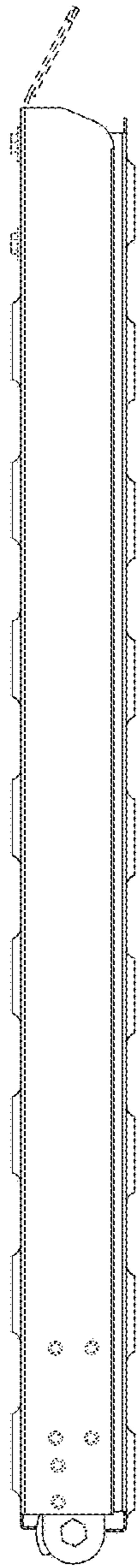


FIG. 14