



US00D848103S

(12) **United States Design Patent** (10) **Patent No.:** **US D848,103 S**
Werdowatz (45) **Date of Patent:** **** May 7, 2019**

- (54) **PAINTBRUSH HOLDER** 5,085,386 A * 2/1992 Hicks B44D 3/123
248/110
- (71) Applicant: **Jack Werdowatz**, Temecula, CA (US) 5,087,014 A 2/1992 Desjardin
- (72) Inventor: **Jack Werdowatz**, Temecula, CA (US) D346,055 S * 4/1994 Arnao D32/54
- (**) Term: **15 Years** 5,375,736 A 12/1994 Gonzalez et al.
- (21) Appl. No.: **29/670,928** 5,626,319 A * 5/1997 Fusillo B44D 3/123
248/110
- (22) Filed: **Nov. 20, 2018** D383,272 S * 9/1997 McDonald D32/54
- (51) **LOC (11) Cl.** **07-07** D431,337 S 9/2000 King
- (52) **U.S. Cl.** **D32/54** 6,419,194 B1 7/2002 LoSacco et al.
- (58) **Field of Classification Search** D461,289 S * 8/2002 LoSacco D32/54
- USPC **D32/54** D654,783 S 2/2012 Warren
- CPC B44D 3/12; B44D 3/123; B44D 3/125
- See application file for complete search history.

* cited by examiner

Primary Examiner — Robin V Webster
(74) *Attorney, Agent, or Firm* — Kirk A. Buhler; Buhler & Associates

(57) **CLAIM**

The ornamental design for a paintbrush holder, as shown and described.

(56) **References Cited**

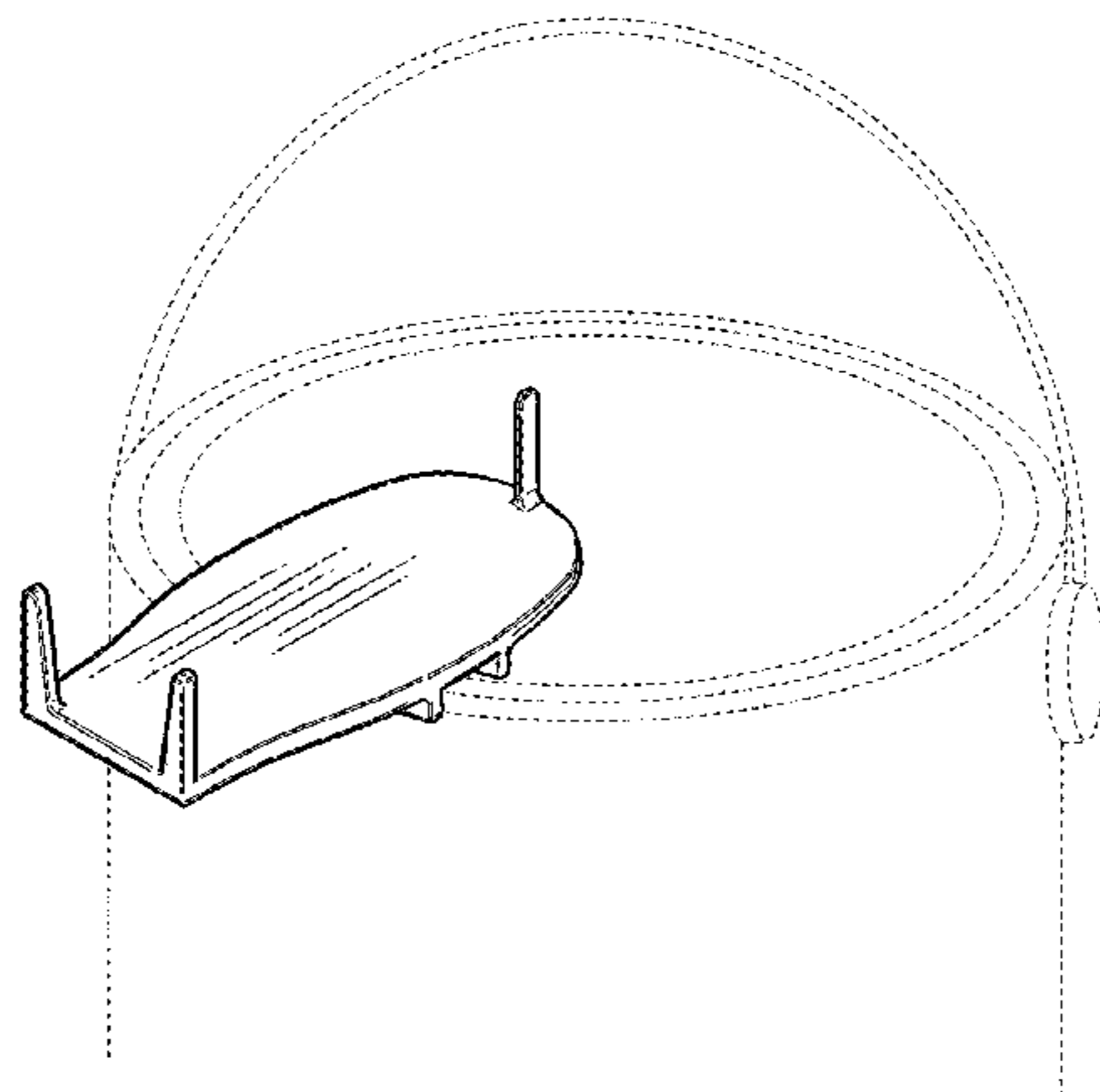
U.S. PATENT DOCUMENTS

2,309,990 A	2/1943	Savi	
2,402,374 A	6/1946	Corn et al.	
2,535,260 A	12/1950	Braswell	
2,723,826 A	11/1955	Zanelli	
D181,117 S	* 10/1957	Aquino B44D 3/123 D32/53.1
D199,428 S	* 10/1964	Santo B44D 3/123 D32/54
D203,578 S	* 2/1966	Cortina B44D 3/123 D32/54
3,275,187 A	* 9/1966	Lamoureux B44D 3/123 15/105
3,531,073 A	9/1970	Cortina	
4,377,239 A	3/1983	Jimae	
D270,771 S	* 9/1983	Brown B44D 3/123 D32/54
4,561,556 A	* 12/1985	Bendix B44D 3/123 206/361
4,757,568 A	7/1988	Jones	
4,993,671 A	2/1991	Ste. Marie	

DESCRIPTION

FIG. 1 is a top side perspective view for a paintbrush holder showing my new design;
FIG. 2 is a top side view thereof;
FIG. 3 is a bottom side view thereof;
FIG. 4 is a rear side view
FIG. 5 is a front side view thereof;
FIG. 6 is a left side view, the right side view being a mirror image thereof;
FIG. 7 is a bottom side perspective view thereof;
FIG. 8 is a left sectional view taken along lines 8-8 from FIG. 3 thereof; and,
FIG. 9 is a top side perspective view thereof shown in an environment of use.
The broken lines in FIG. 9 depict environmental subject matter only and form no part of the claimed design.

1 Claim, 5 Drawing Sheets



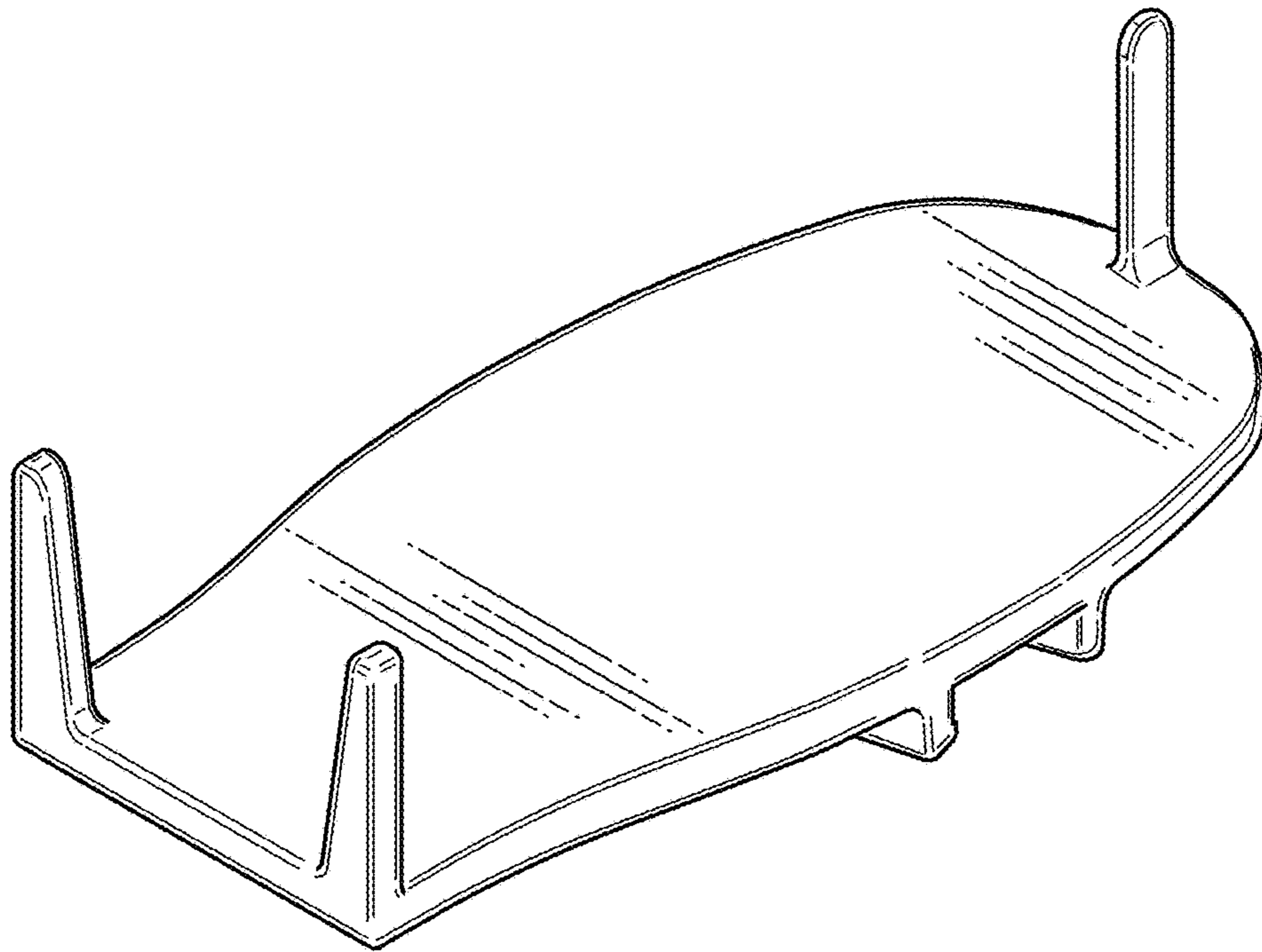


FIG. 1

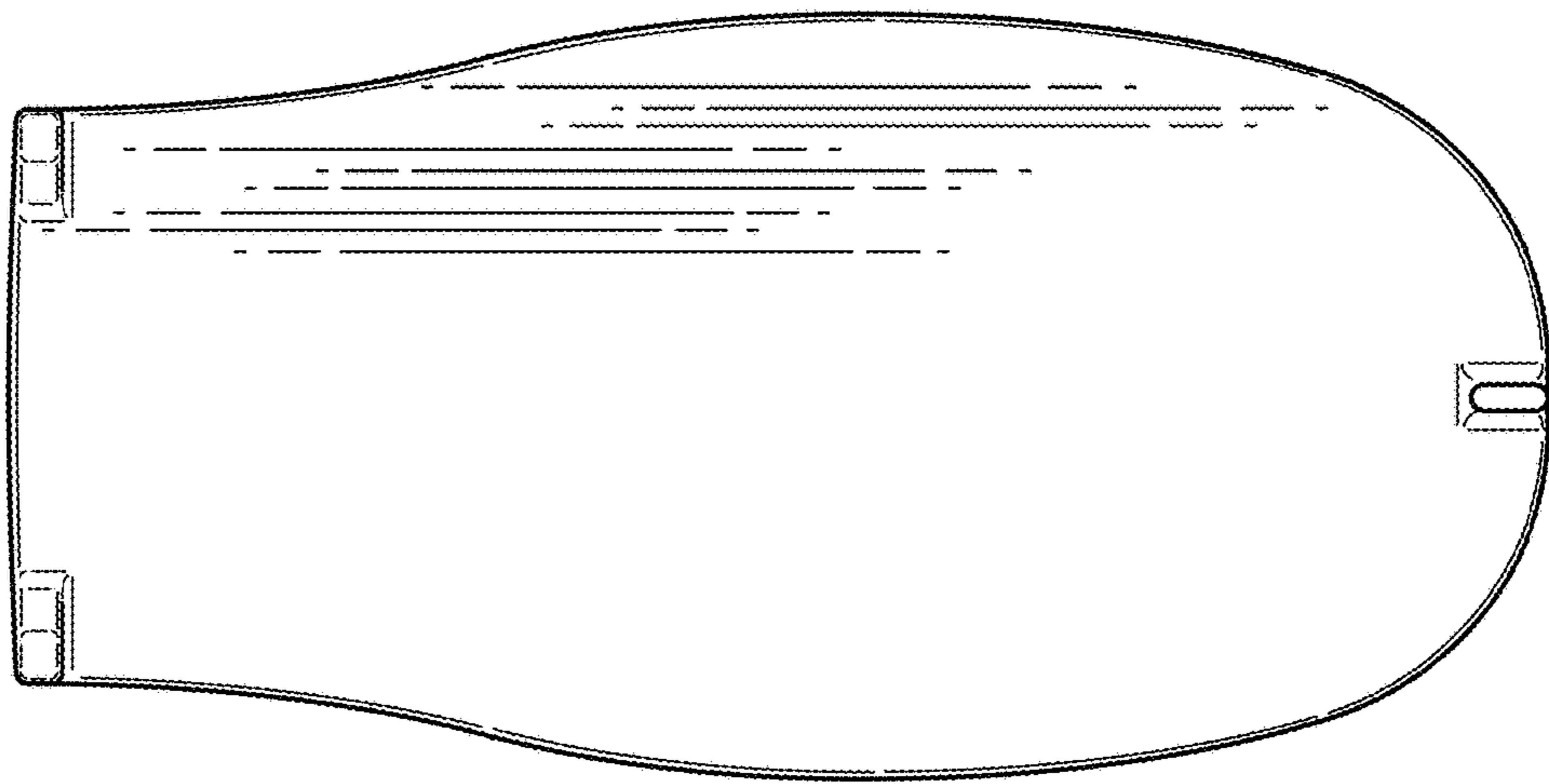


FIG. 2

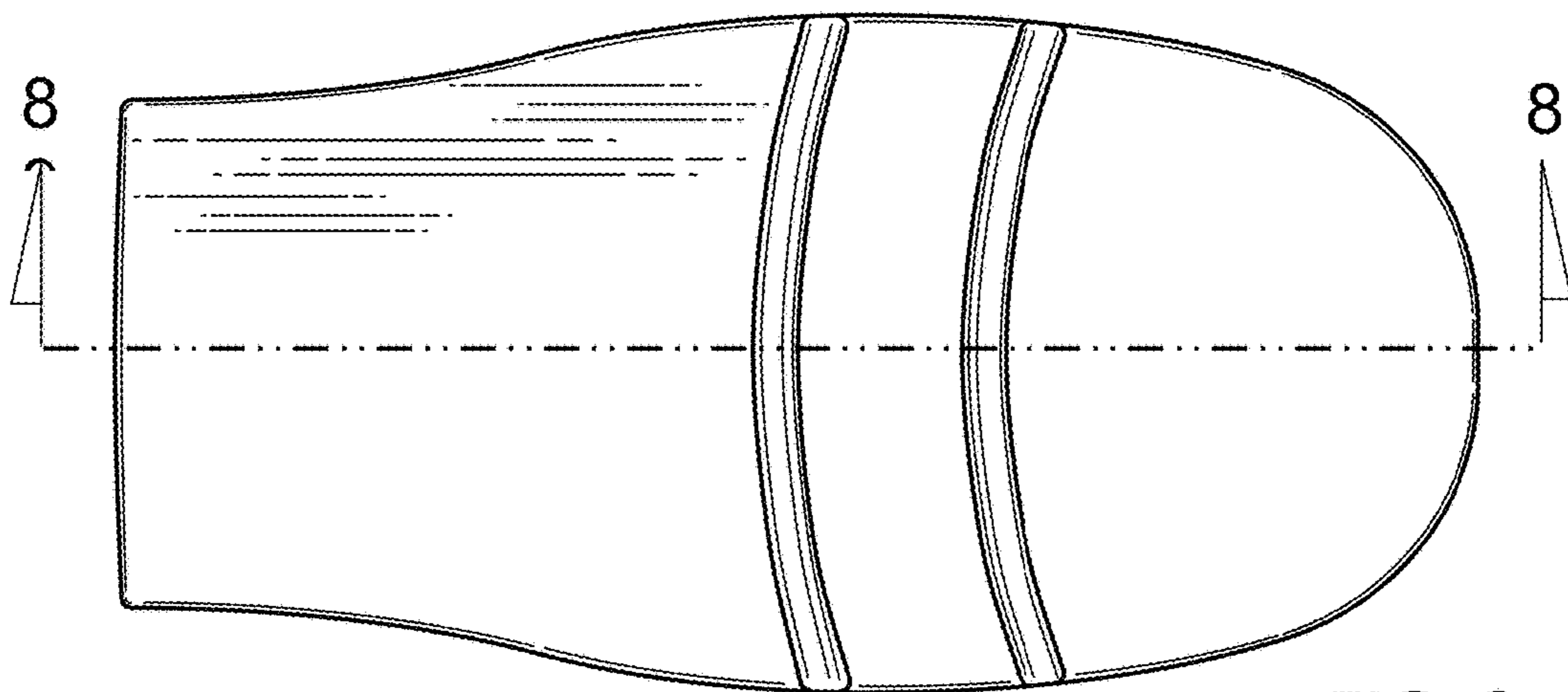


FIG. 3

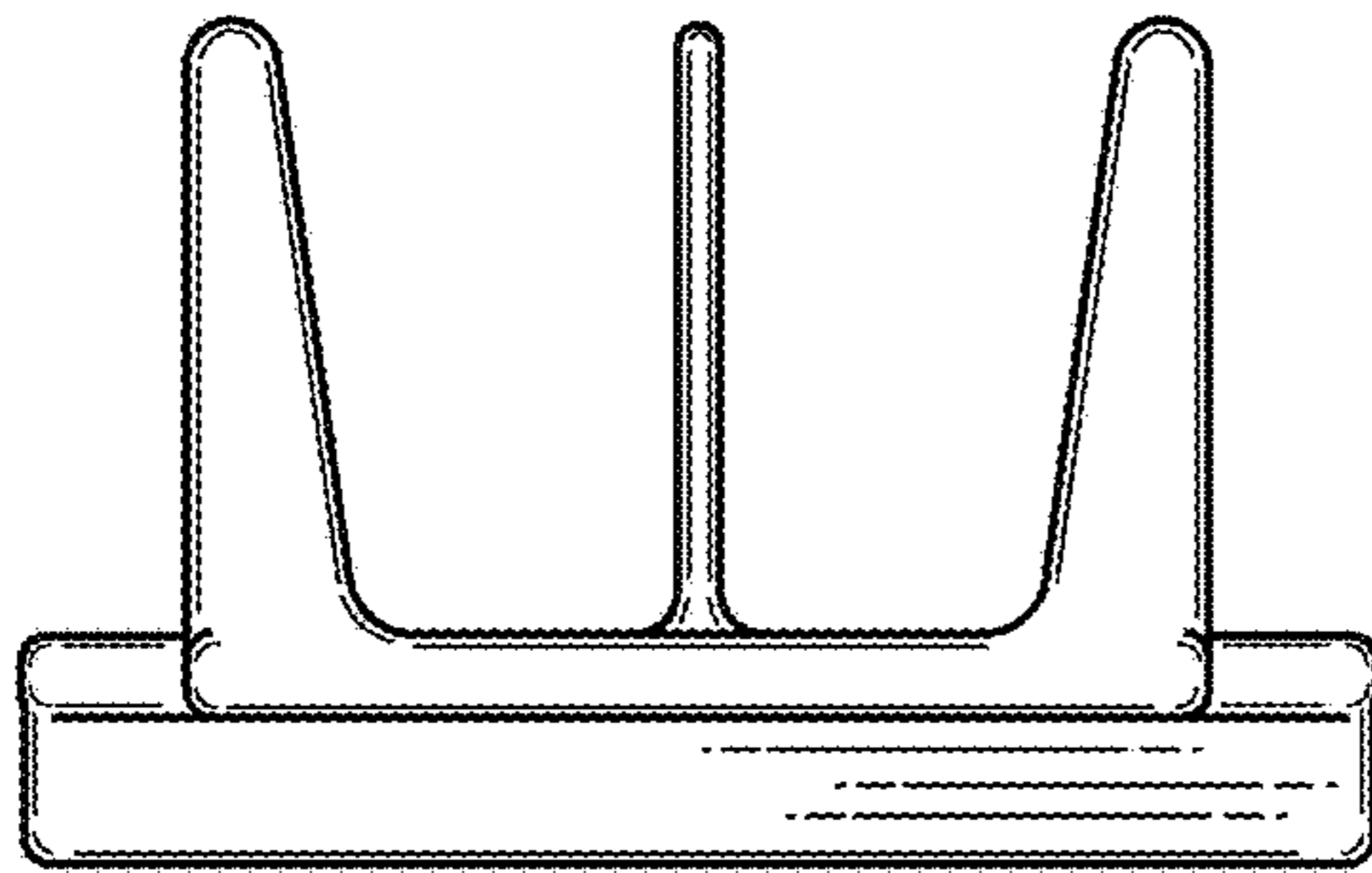


FIG. 4

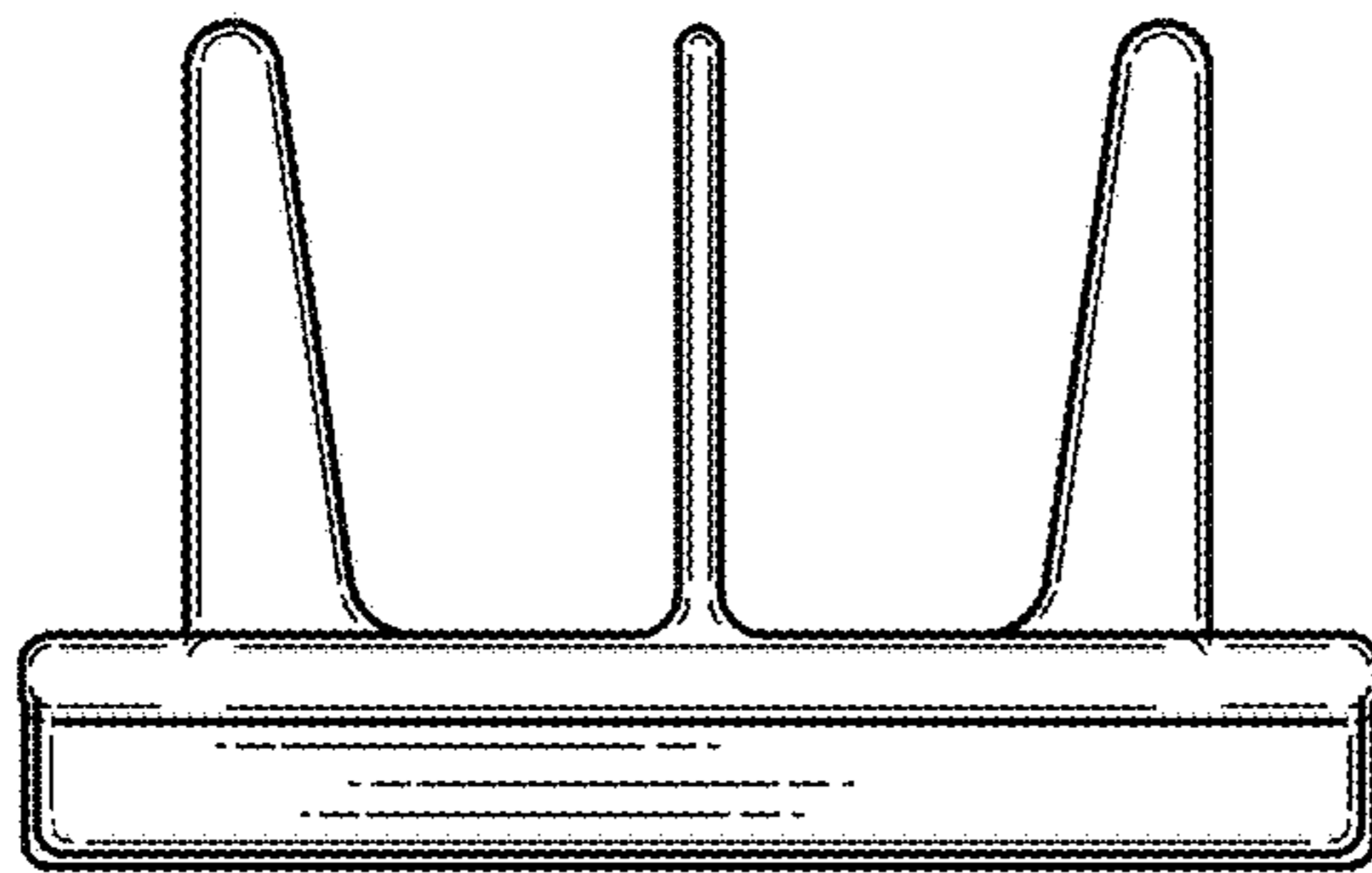


FIG. 5

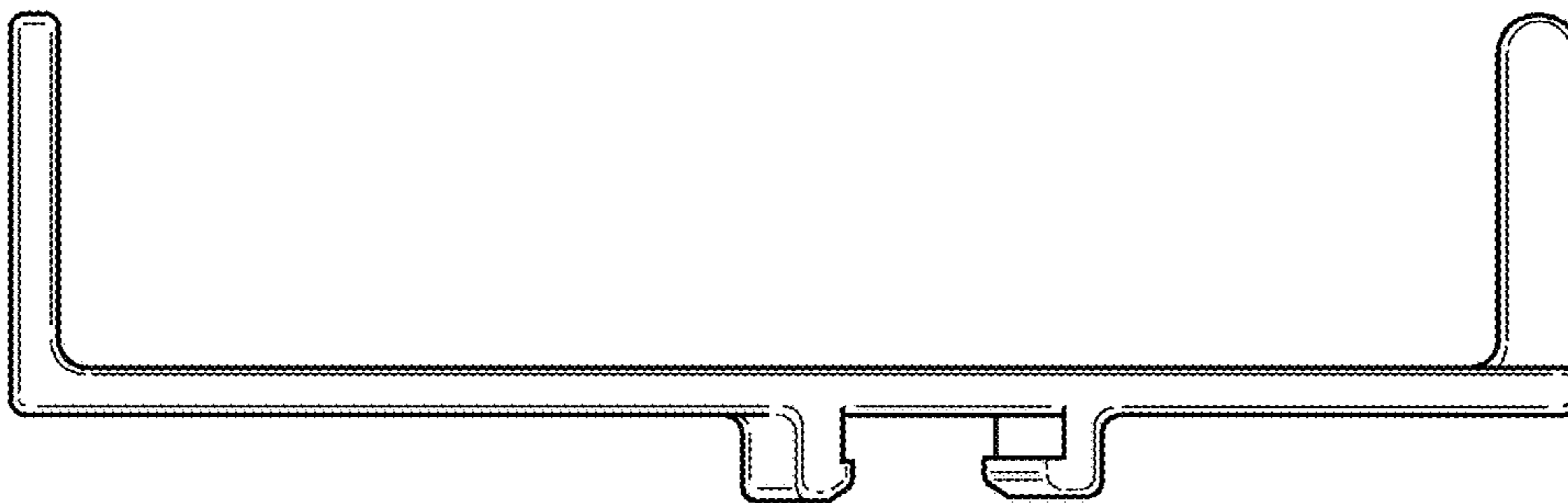


FIG. 6

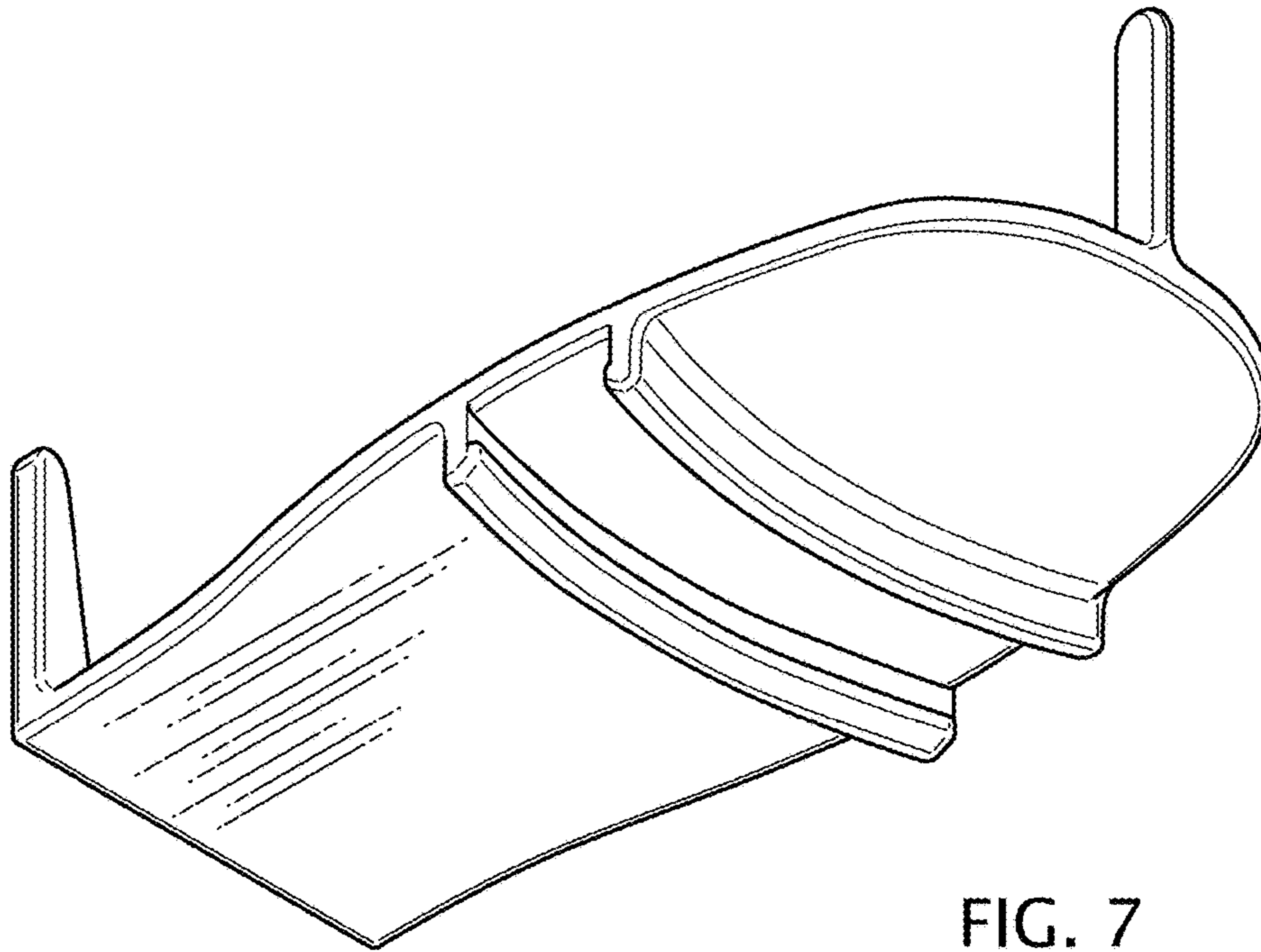


FIG. 7

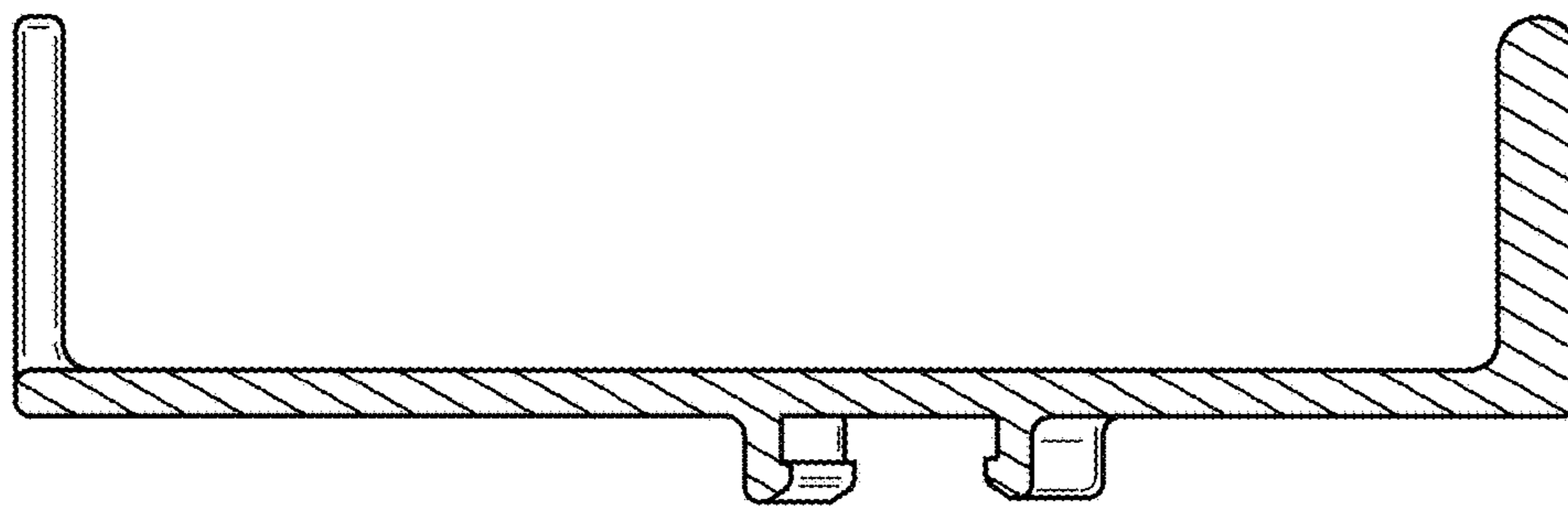


FIG. 8

