



US00D848101S

(12) **United States Design Patent**
Maharaj

(10) **Patent No.:** **US D848,101 S**

(45) **Date of Patent:** **** May 7, 2019**

(54) **OVEN CLEANER ROD WITH MICRO FIBER MITT**

(71) Applicant: **Sashi Maharaj**, Boynton Beach, FL (US)

(72) Inventor: **Sashi Maharaj**, Boynton Beach, FL (US)

(**) Term: **15 Years**

(21) Appl. No.: **29/570,602**

(22) Filed: **Jul. 10, 2016**

(51) **LOC (11) Cl.** **07-05**

(52) **U.S. Cl.**
USPC **D32/35**

(58) **Field of Classification Search**
USPC D32/35, 40; D28/63; D4/137, 138
CPC A47L 13/19; A47L 13/18; A01K 13/001; A41D 19/0068

See application file for complete search history.

(56) **References Cited**

U.S. PATENT DOCUMENTS

1,930,044	A *	10/1933	Farquhar	A47L 13/18	15/227
D274,274	S *	6/1984	Banasiak	D32/45	
D274,383	S *	6/1984	Banasiak	D32/45	
4,902,283	A *	2/1990	Rojko	A41D 19/0068	15/227
4,959,881	A *	10/1990	Murray	A47L 13/18	15/104.94
6,192,543	B1 *	2/2001	Lee	A47L 13/18	15/118
D471,333	S *	3/2003	Brown	D28/63	
D511,233	S *	11/2005	Franco	D28/63	
D514,762	S *	2/2006	Franco	D28/63	
D619,774	S *	7/2010	Gionet	D28/63	

D767,226	S *	9/2016	Albers	D28/63	
D791,422	S *	7/2017	Hannan	D32/40	
2005/0229349	A1 *	10/2005	Foser	A01K 13/001	15/227
2008/0000007	A1 *	1/2008	Gionet	A47L 13/18	2/158
2009/0307858	A1 *	12/2009	Gionet	A47L 13/18	15/104.93
2012/0210532	A1 *	8/2012	Slade, Jr.	A47L 13/18	15/227
2016/0302640	A1 *	10/2016	Windley	A47L 13/18	
2017/0202422	A1 *	7/2017	Hagen	A47L 13/19	

* cited by examiner

Primary Examiner — Michelle E. Wilson

(57) **CLAIM**

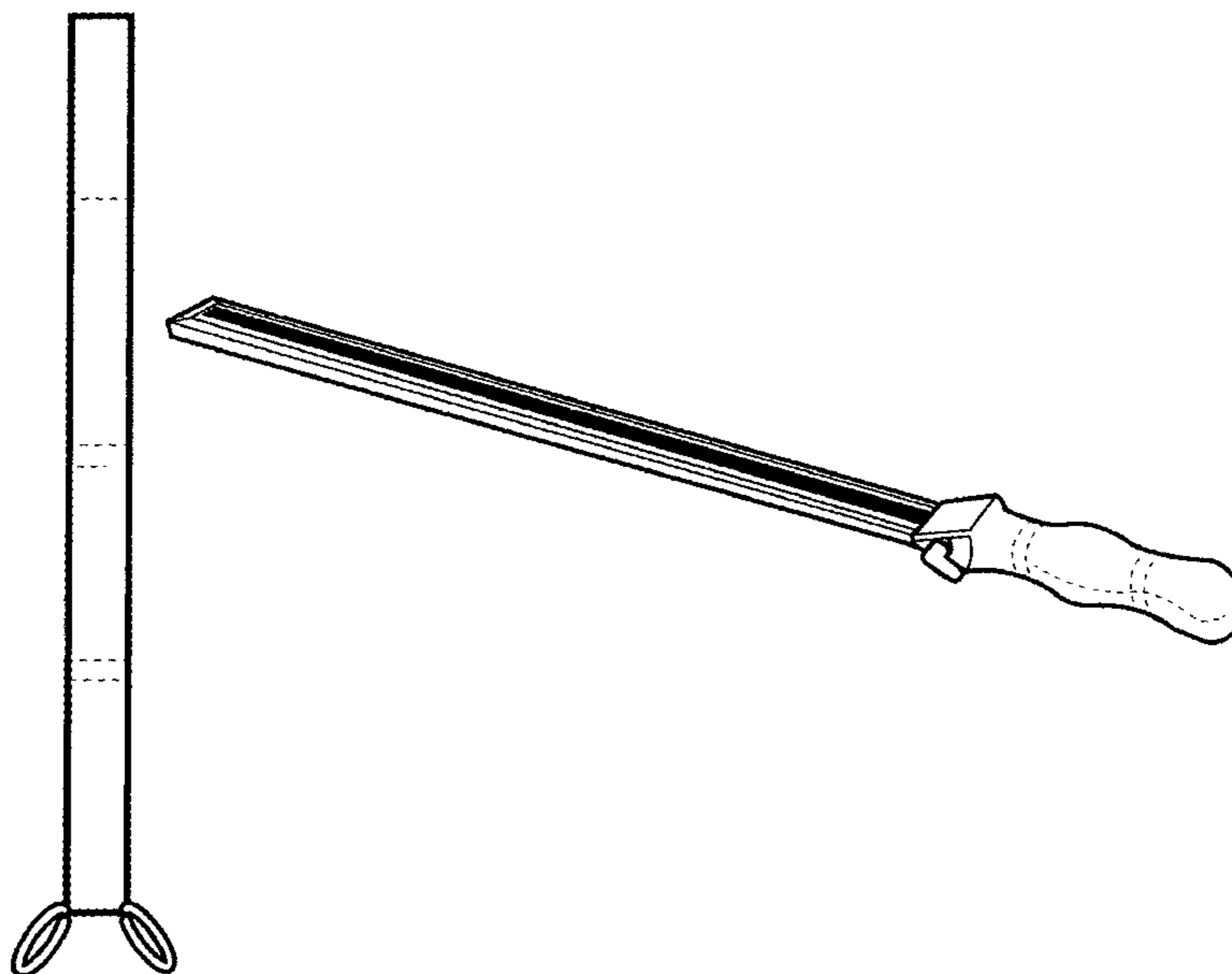
I claim the ornamental design for a oven cleaner rod with micro fiber mitt, as shown and described.

DESCRIPTION

FIG. 1 is a top view showing the new design of the micro fiber mitt, broken lines indicating contours of the design; FIG. 2 is a top view of the new design of the cleaning rod, broken lines indicating contours of the design; FIG. 3 is a side perspective view of the new design of the cleaning rod, broken lines indicating contours of the design; FIG. 4 is a top perspective view of the new design of the cleaning rod with micro fiber mitt thereof, broken lines indicating contours of the design; and, FIG. 5 is a side perspective view of the new design of the cleaning rod with micro fiber mitt thereof, broken lines indicating contours of the design.

The broken lines shown on the handle portion of the oven cleaner rod form no part of the claimed design. The broken lines shown on the micro fiber mitt are to illustrate stitching and form a part of the claimed design.

1 Claim, 2 Drawing Sheets



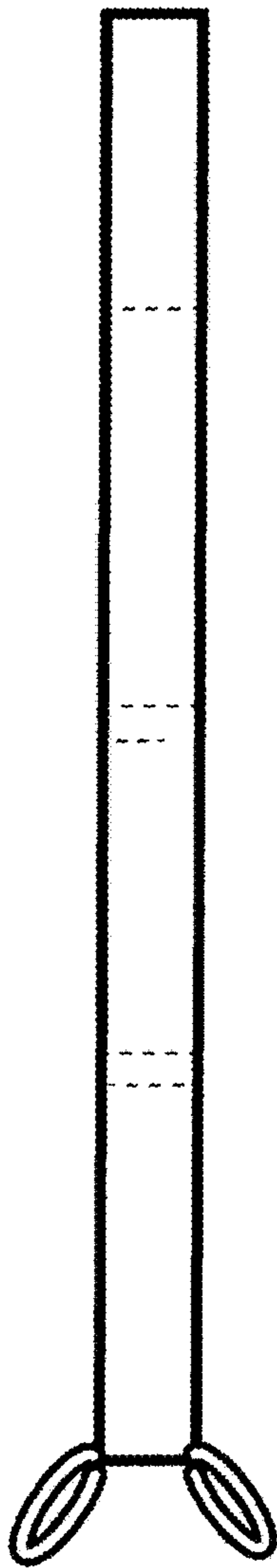


Fig 1

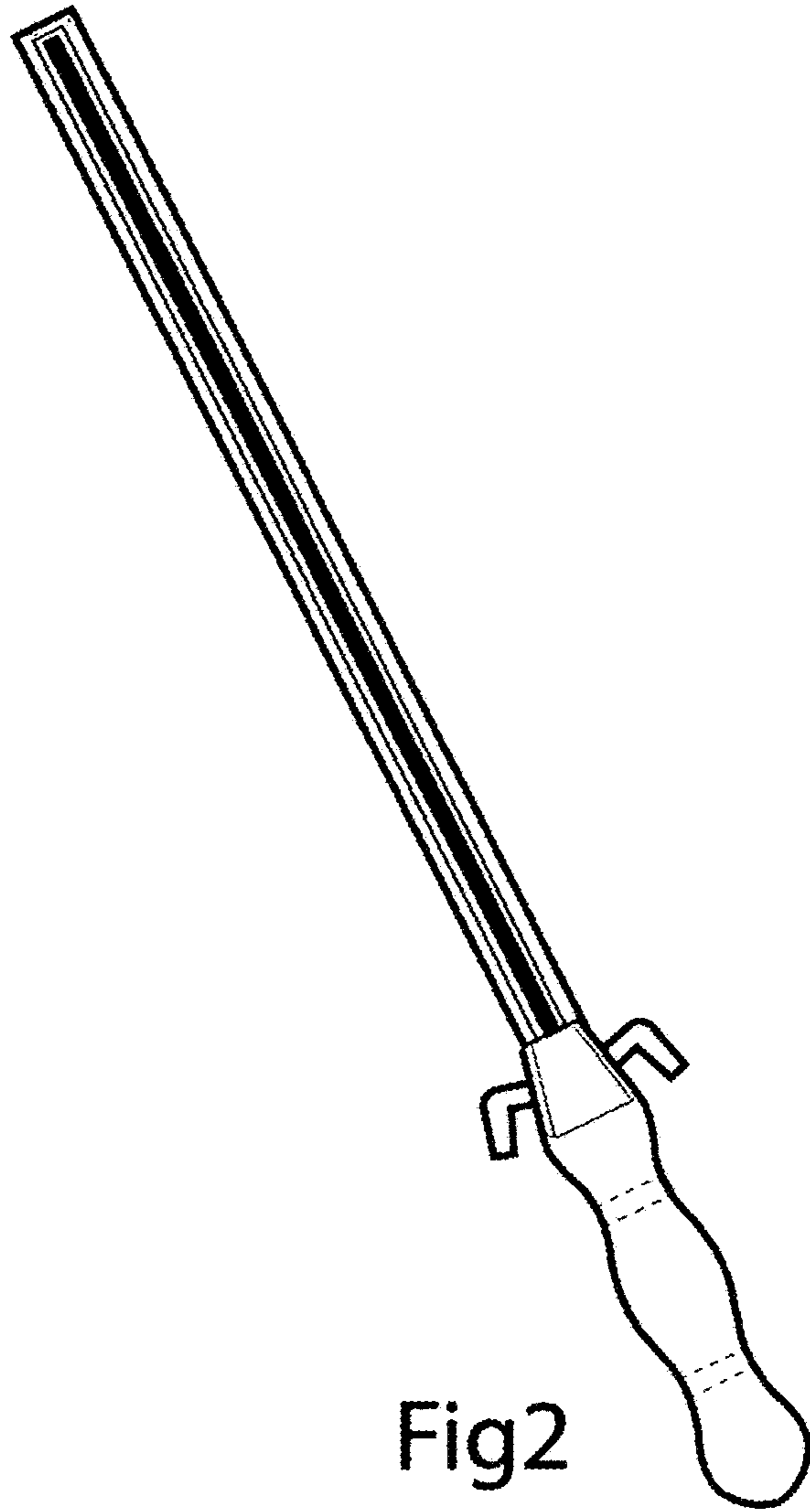


Fig 2

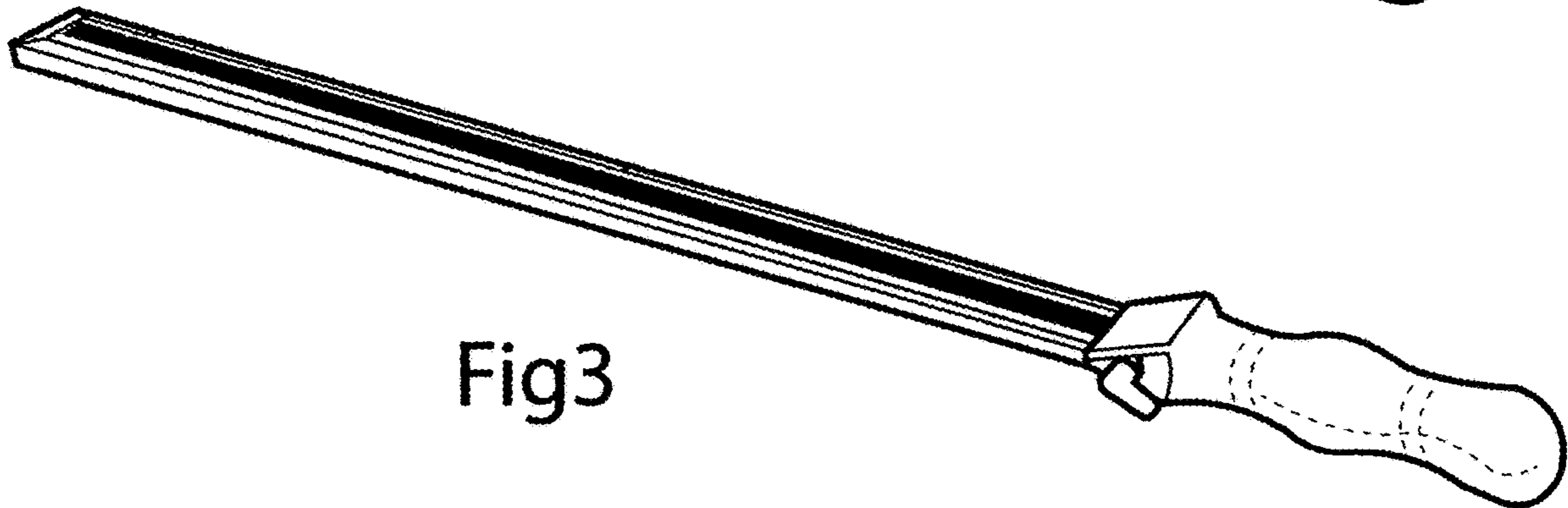


Fig 3

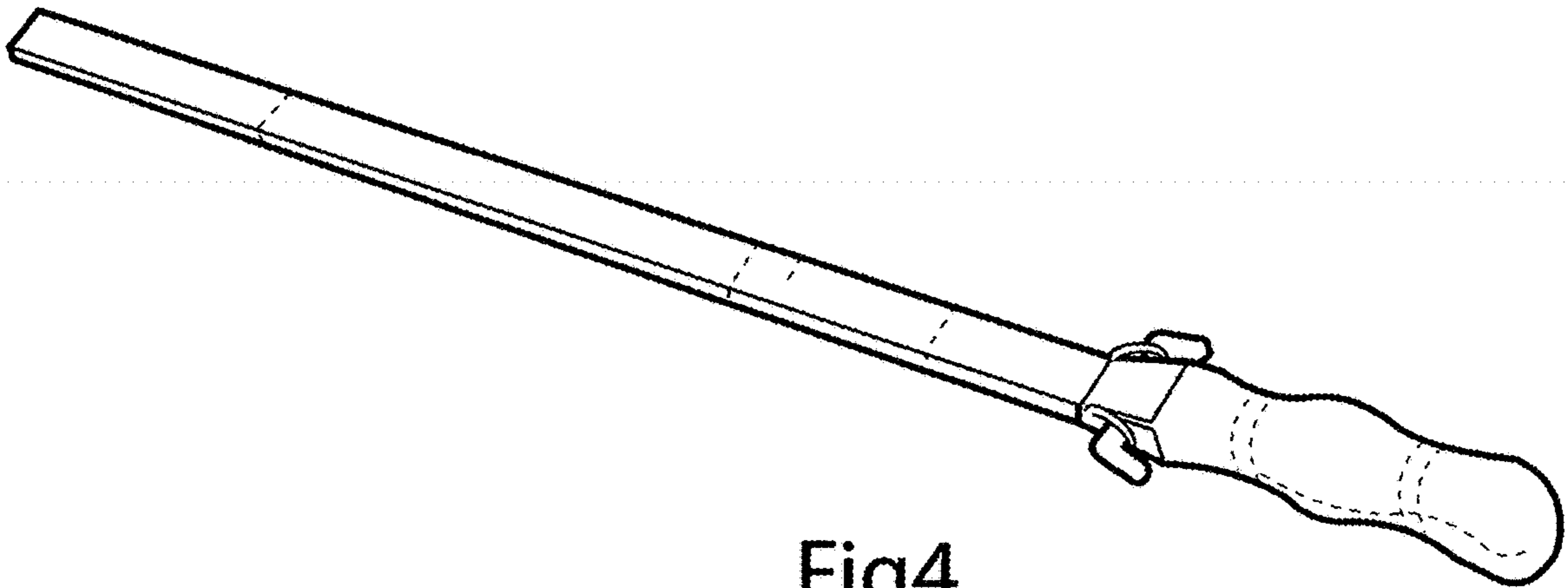


Fig4

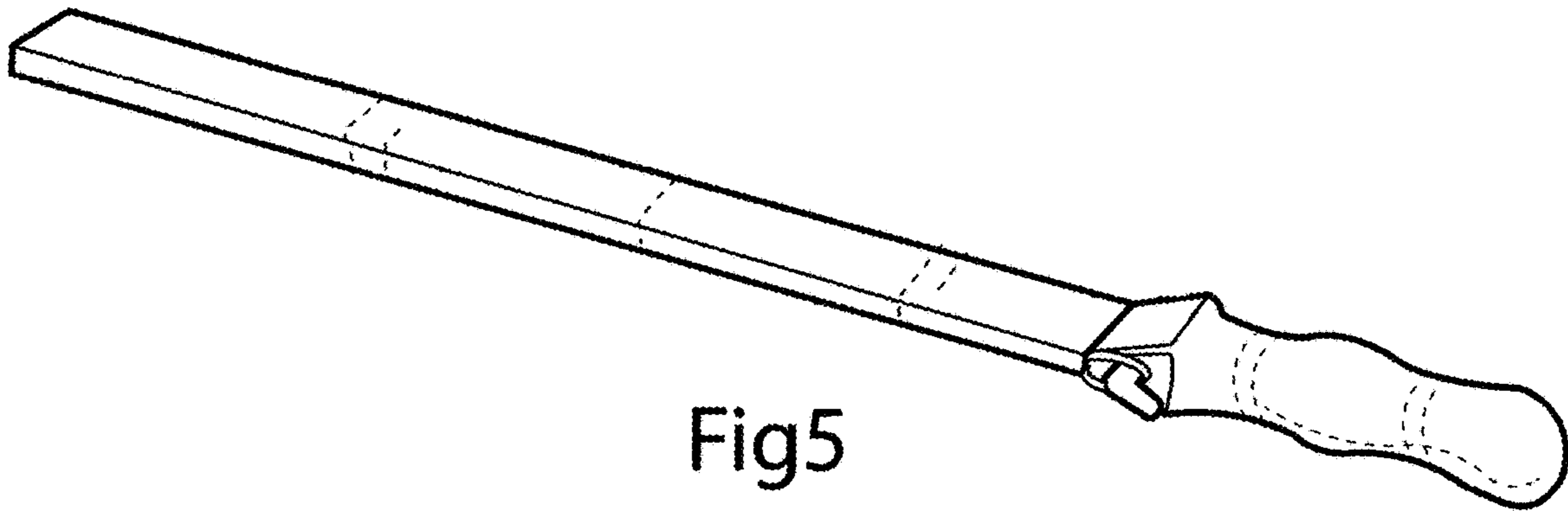


Fig5