



US00D848097S

(12) **United States Design Patent** (10) **Patent No.:** **US D848,097 S**
Nam et al. (45) **Date of Patent:** **** May 7, 2019**

(54) **NOZZLE FOR VACUUM CLEANER**

(71) Applicant: **LG ELECTRONICS INC.**, Seoul (KR)

(72) Inventors: **Bohyun Nam**, Seoul (KR); **Jaeyoung Kim**, Seoul (KR); **Myungwhoon Lee**, Seoul (KR)

(73) Assignee: **LG ELECTRONICS INC.**, Seoul (KR)

(**) Term: **15 Years**

(21) Appl. No.: **29/600,292**

(22) Filed: **Apr. 11, 2017**

(30) **Foreign Application Priority Data**

Oct. 12, 2016 (KR) 30-2016-0048953

(51) **LOC (11) Cl.** **15-05**

(52) **U.S. Cl.**
USPC **D32/32**

(58) **Field of Classification Search**
USPC D32/31-34, 20-22, 38-39, 45
CPC A47L 9/02; A47L 9/04; A47L 9/06; A47L 9/0477; A47L 9/2842; A47L 9/0693; A47L 9/0444; A47L 9/0461; A47L 9/325; A47L 9/28; A47L 5/362; A47L 5/365; A47L 5/325; A47L 5/28; A47L 5/30; A47L 5/34; A47L 5/36; A47L 5/02; A47L 5/24; A47L 11/4044; E04H 4/1654; A46B 13/001; E01H 1/0854

See application file for complete search history.

(56) **References Cited**

U.S. PATENT DOCUMENTS

D649,725	S	*	11/2011	Fjellman	D32/32
D712,104	S	*	8/2014	Stickney	D32/32
D712,105	S	*	8/2014	Stickney	D32/33
8,966,711	B2	*	3/2015	Millington	A47L 9/02 15/327.1
D752,301	S	*	3/2016	Courtney	D32/32
D752,302	S	*	3/2016	Courtney	D32/32
D770,711	S	*	11/2016	Okada	D32/32
D814,724	S	*	4/2018	Courtney	D32/32

* cited by examiner

Primary Examiner — Ruth McInroy

(74) *Attorney, Agent, or Firm* — Birch, Stewart, Kolasch & Birch, LLP

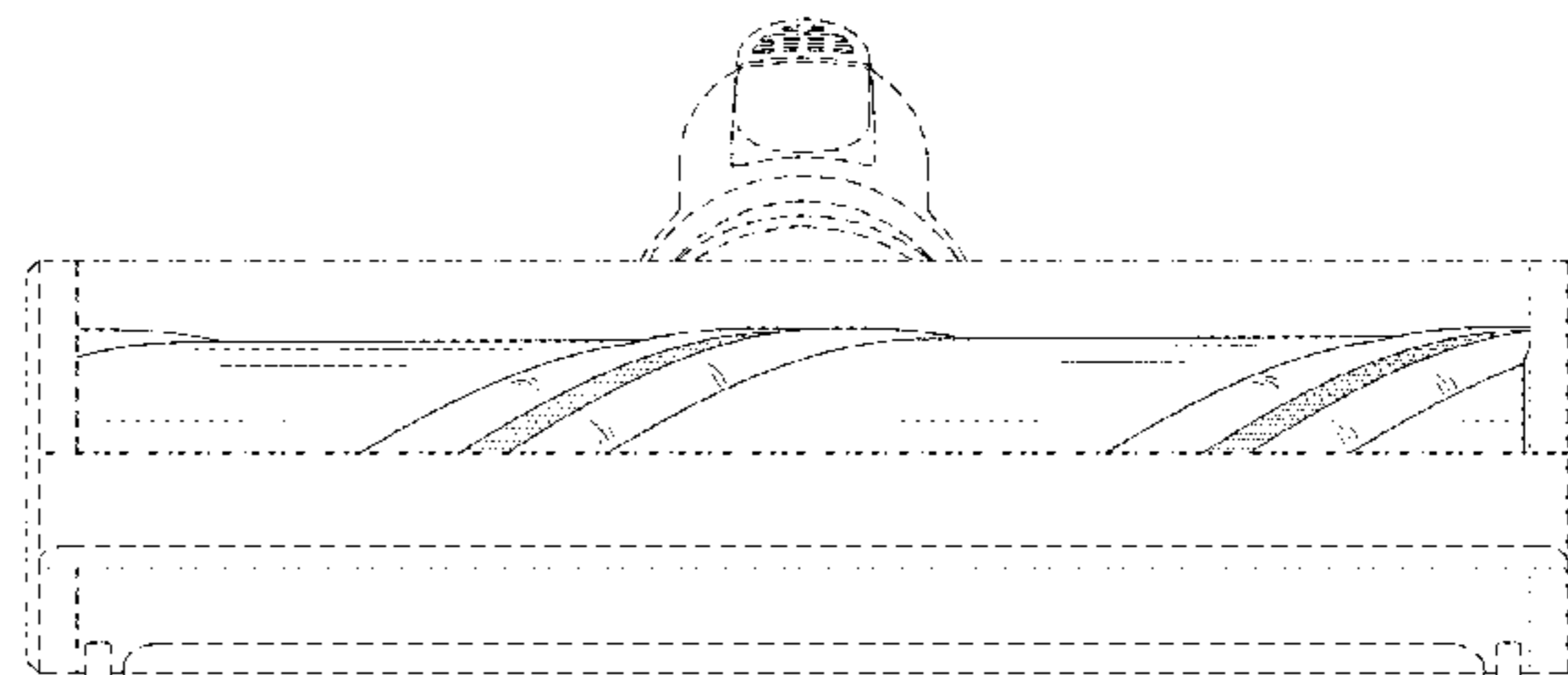
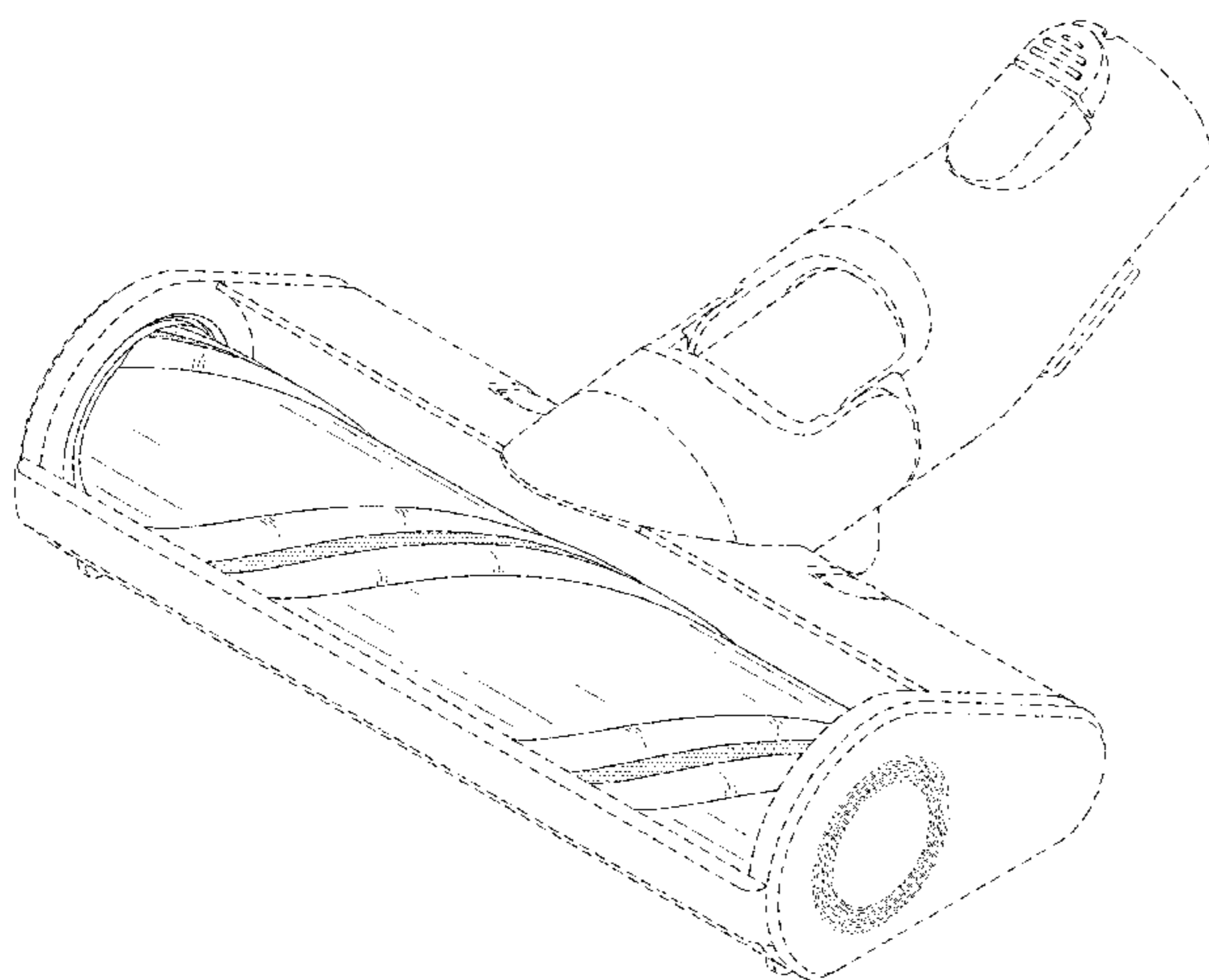
(57) **CLAIM**

The ornamental design for a nozzle for vacuum cleaner, as shown and described.

DESCRIPTION

FIG. 1 is a front perspective view of a nozzle for vacuum cleaner showing our new design; FIG. 2 is a front view thereof; FIG. 3 is a rear view thereof; FIG. 4 is a left side view thereof; FIG. 5 is a right side view thereof; FIG. 6 is a top plan view thereof; and, FIG. 7 is a rear perspective view thereof. The broken lines depict portions of the nozzle for vacuum cleaner that form no part of the claimed design.

1 Claim, 7 Drawing Sheets



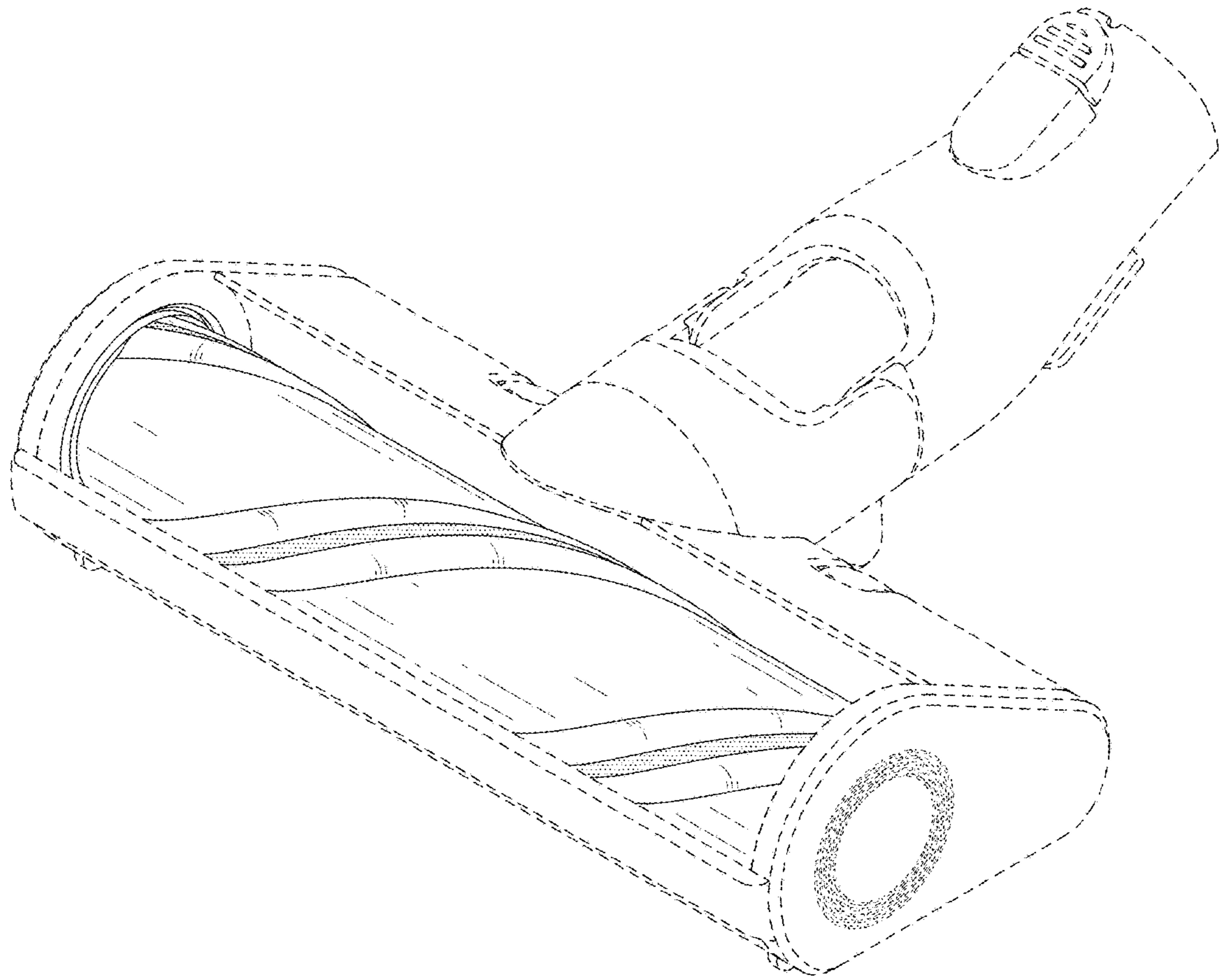


FIG. 1

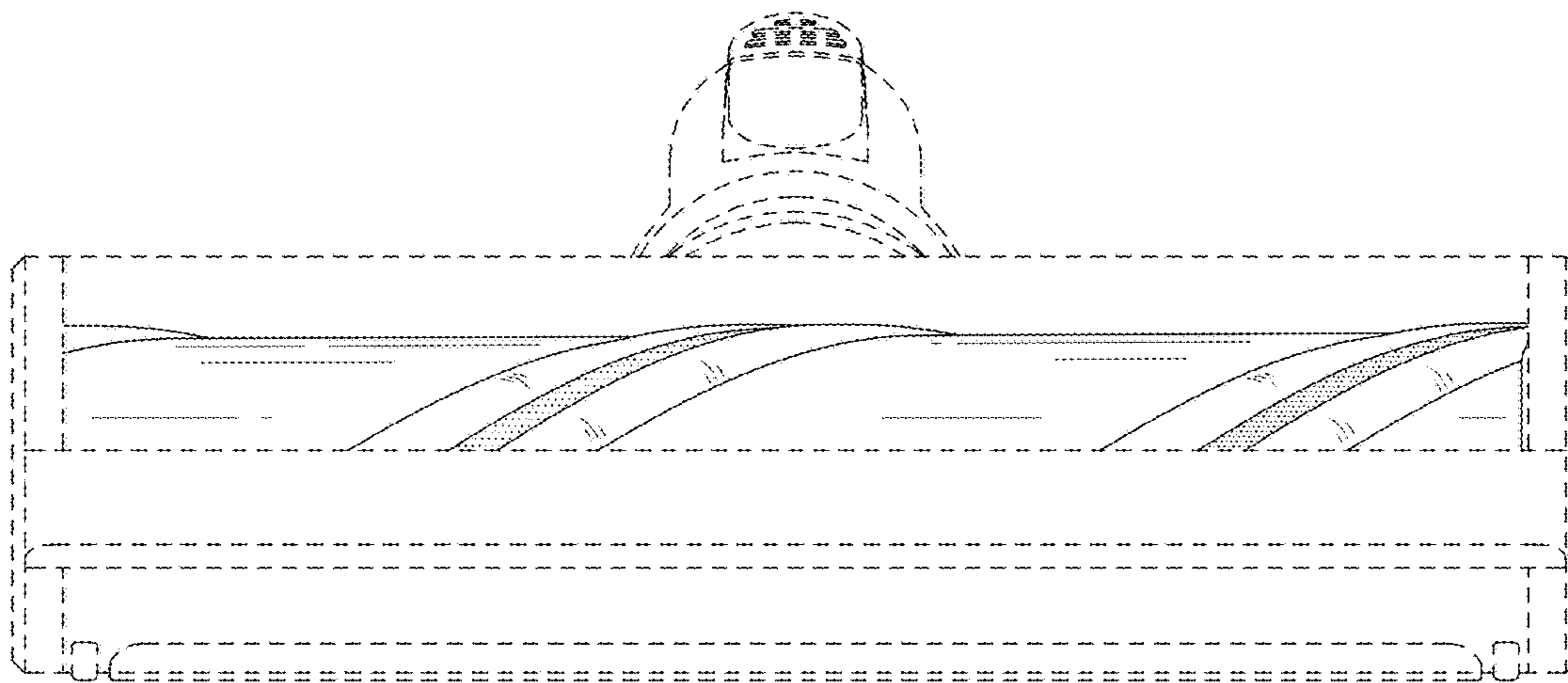


FIG. 2

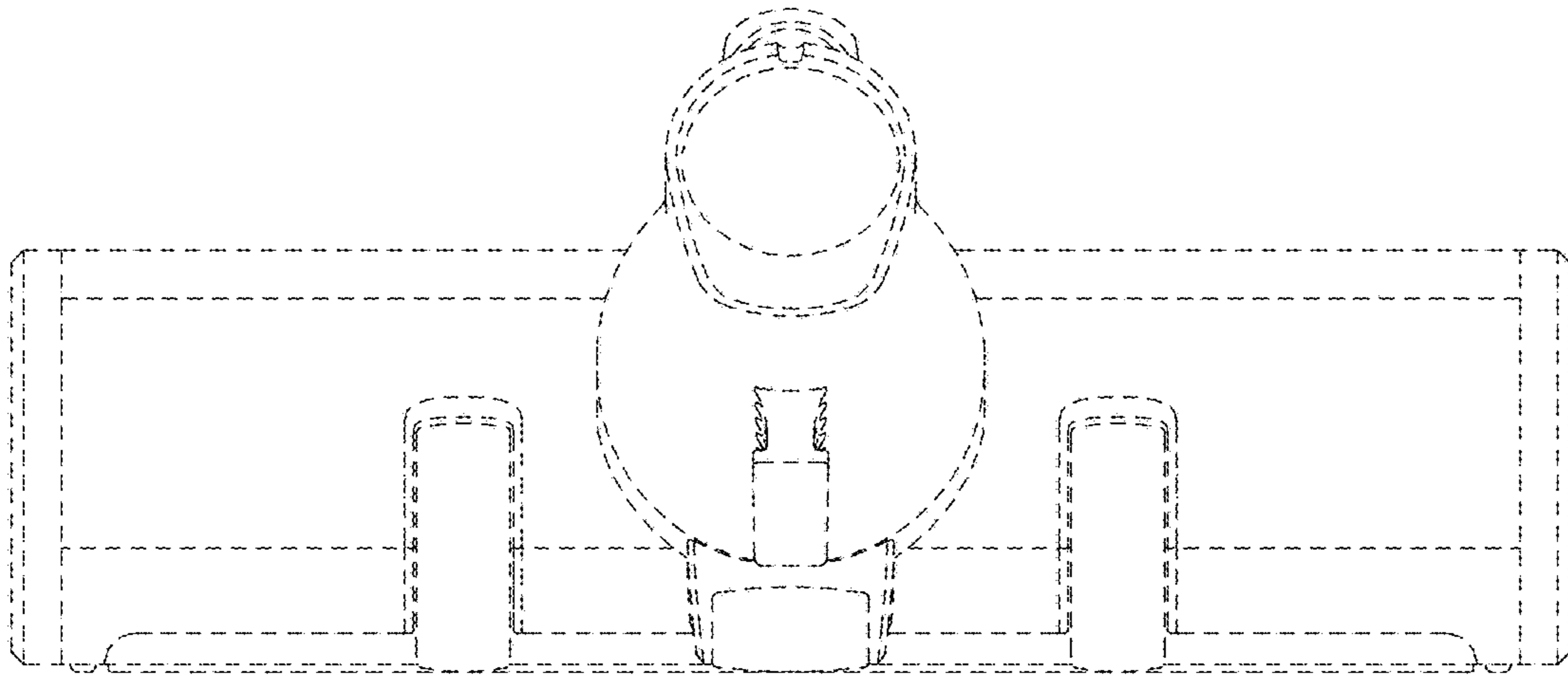


FIG. 3

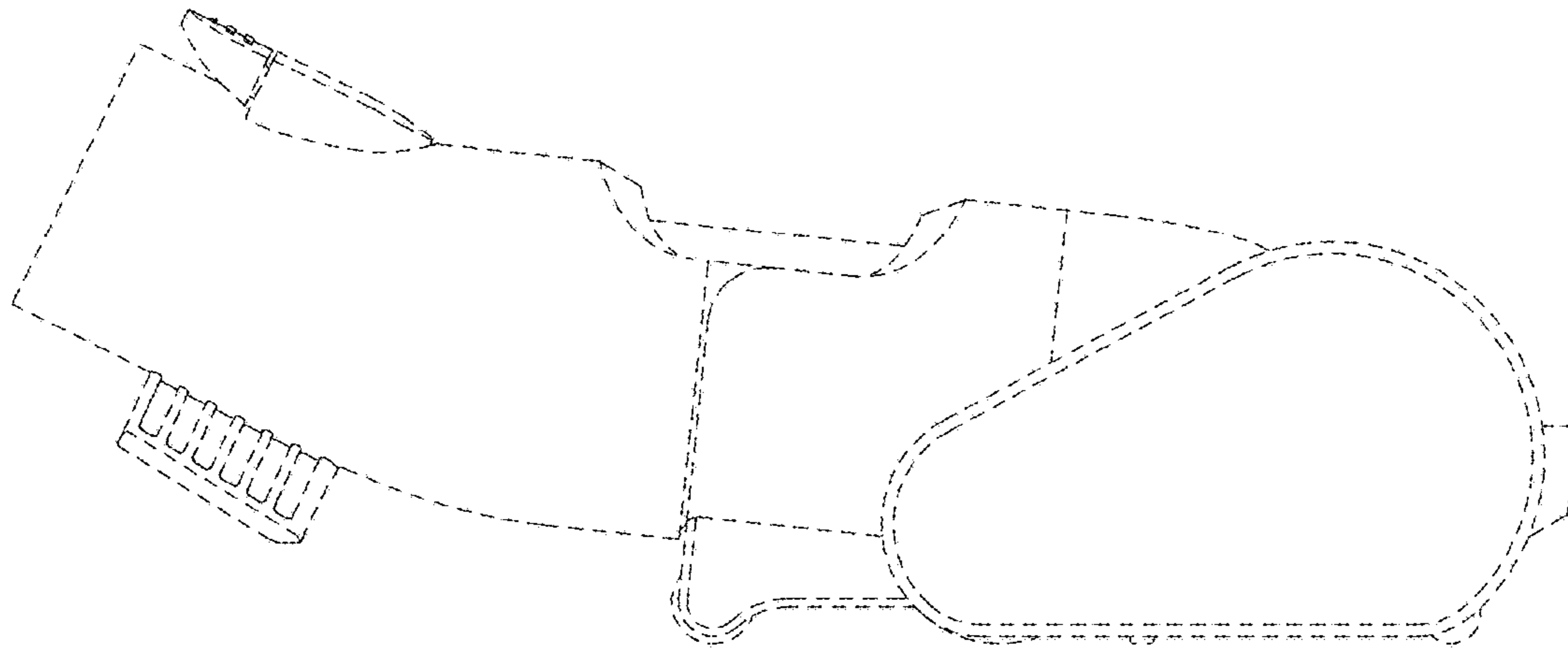


FIG. 4

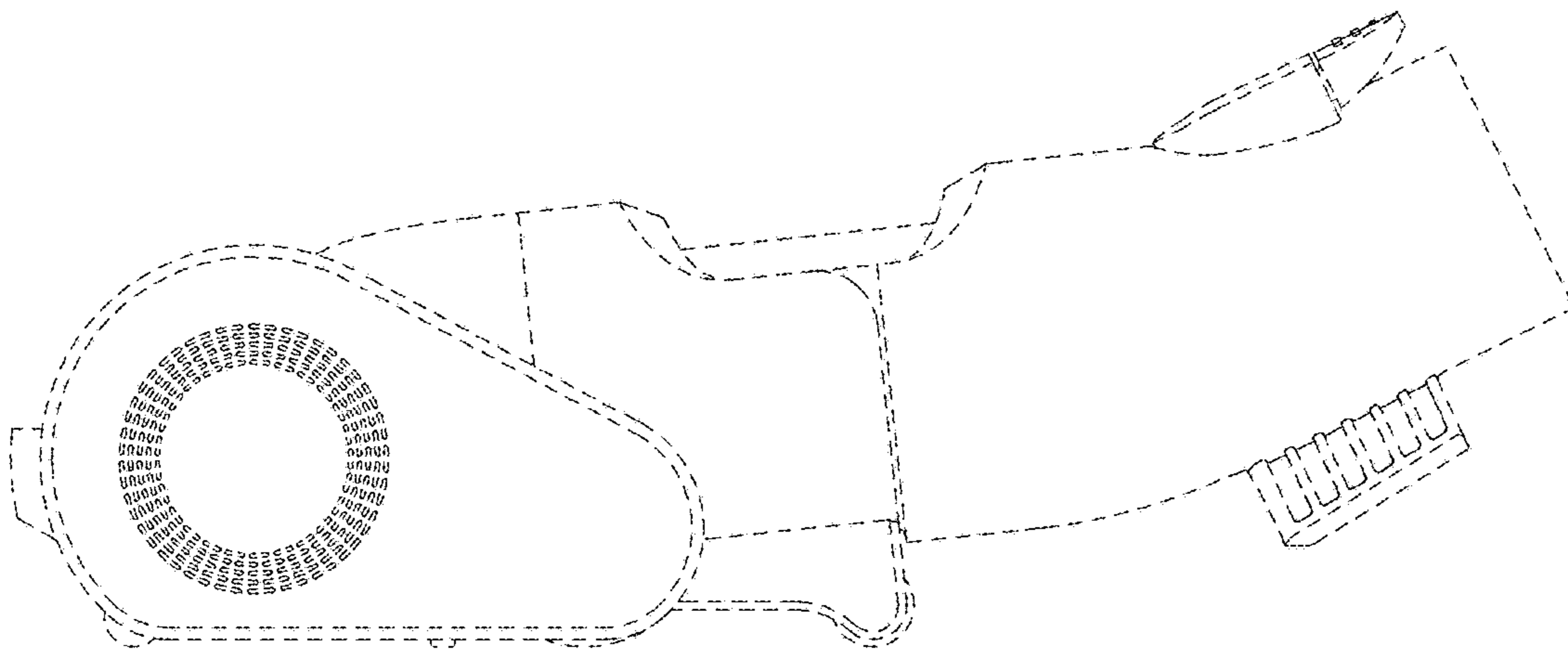


FIG. 5

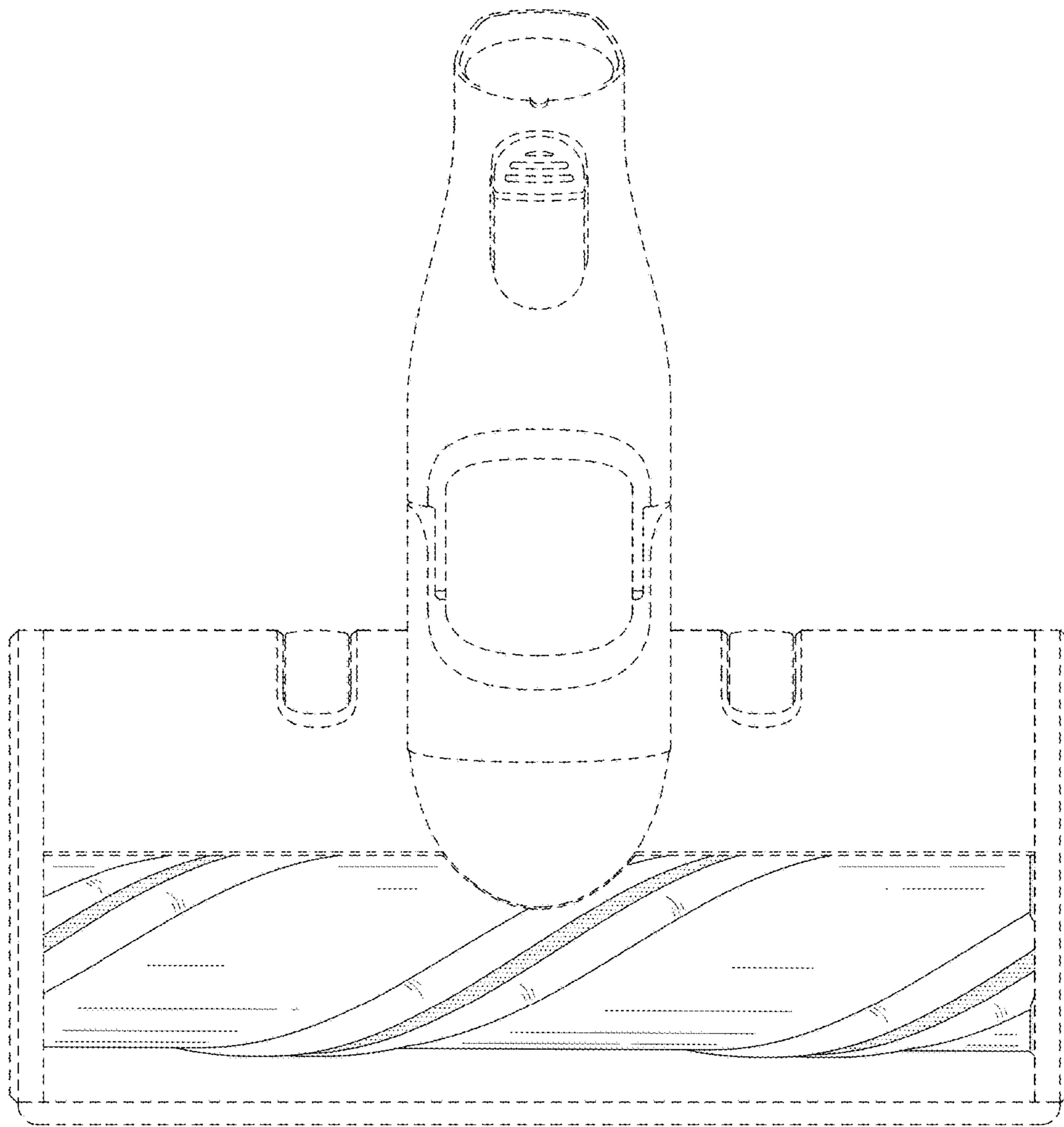


FIG. 6

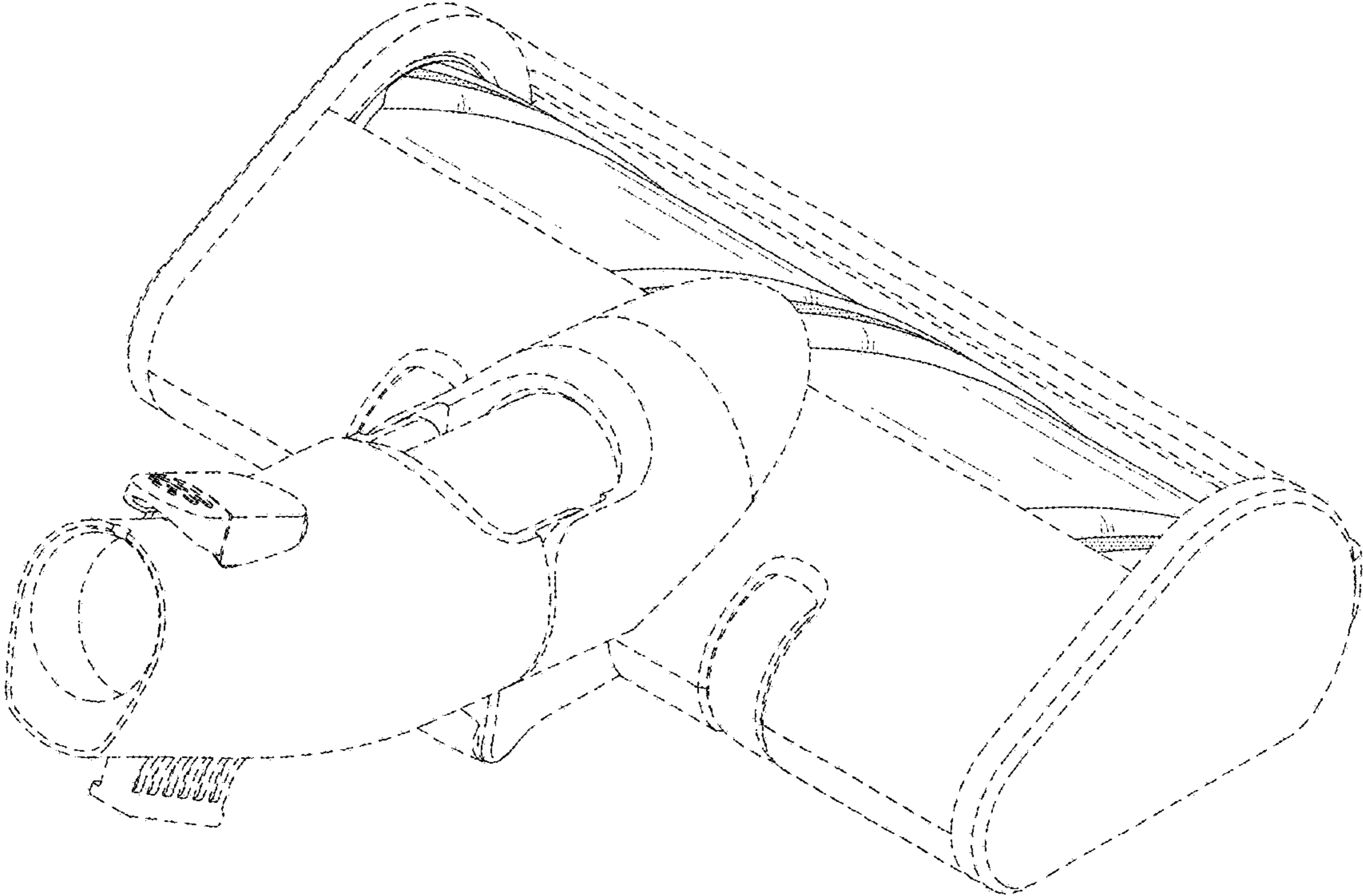


FIG. 7