



US00D848094S

(12) **United States Design Patent**
Hui

(10) **Patent No.:** **US D848,094 S**

(45) **Date of Patent:** **** *May 7, 2019**

(54) **POOL CLEANER**

(71) Applicant: **Compurobot Technology Company,**
Dongguan (CN)

(72) Inventor: **Wing-Tak Hui,** Hong Kong (CN)

(*) Notice: This patent is subject to a terminal disclaimer.

(**) Term: **15 Years**

(21) Appl. No.: **29/573,318**

(22) Filed: **Aug. 4, 2016**

(51) **LOC (11) Cl.** **15-05**

(52) **U.S. Cl.**
USPC **D32/21**

(58) **Field of Classification Search**
USPC D32/17, 21-24, 31
CPC A04H 4/1636; A04H 4/1654; A04H 4/169;
A47L 9/2842

See application file for complete search history.

(56) **References Cited**

U.S. PATENT DOCUMENTS

D625,059 S	*	10/2010	Morenstein	D32/21
D625,477 S	*	10/2010	Morenstein	D32/21
D630,808 S	*	1/2011	Dye	D32/21
D630,809 S	*	1/2011	Dye	D32/21
D669,235 S	*	10/2012	Bassett	D32/21
D684,738 S	*	6/2013	Richiuso	D32/21
D690,478 S	*	9/2013	Li	D32/21
D690,887 S	*	10/2013	Lee	D32/21
D691,337 S	*	10/2013	Kim	D32/21

D709,255 S	*	7/2014	Wang	D32/21
D714,002 S	*	9/2014	Casini	D32/21
D715,504 S	*	10/2014	Deoksang	D32/21
D718,911 S	*	12/2014	Vanderstegen-Drake	D32/21
D720,103 S	*	12/2014	Haug	D32/21
D721,460 S	*	1/2015	Hanan	D32/21
D728,873 S	*	5/2015	Renaud	D32/21
D745,757 S	*	12/2015	Choi	D32/21
D746,005 S	*	12/2015	Cheon	D32/21
D747,573 S	*	1/2016	Richiuso	D32/21
D751,777 S	*	3/2016	Cheon	D32/21
D771,884 S	*	11/2016	Ninomiya	D32/21
D778,514 S	*	2/2017	Park	D32/21
D778,515 S	*	2/2017	Choi	D32/21

* cited by examiner

Primary Examiner — Ruth McInroy

(74) *Attorney, Agent, or Firm* — Weiss & Moy, P.C.;
Jeffrey D. Moy

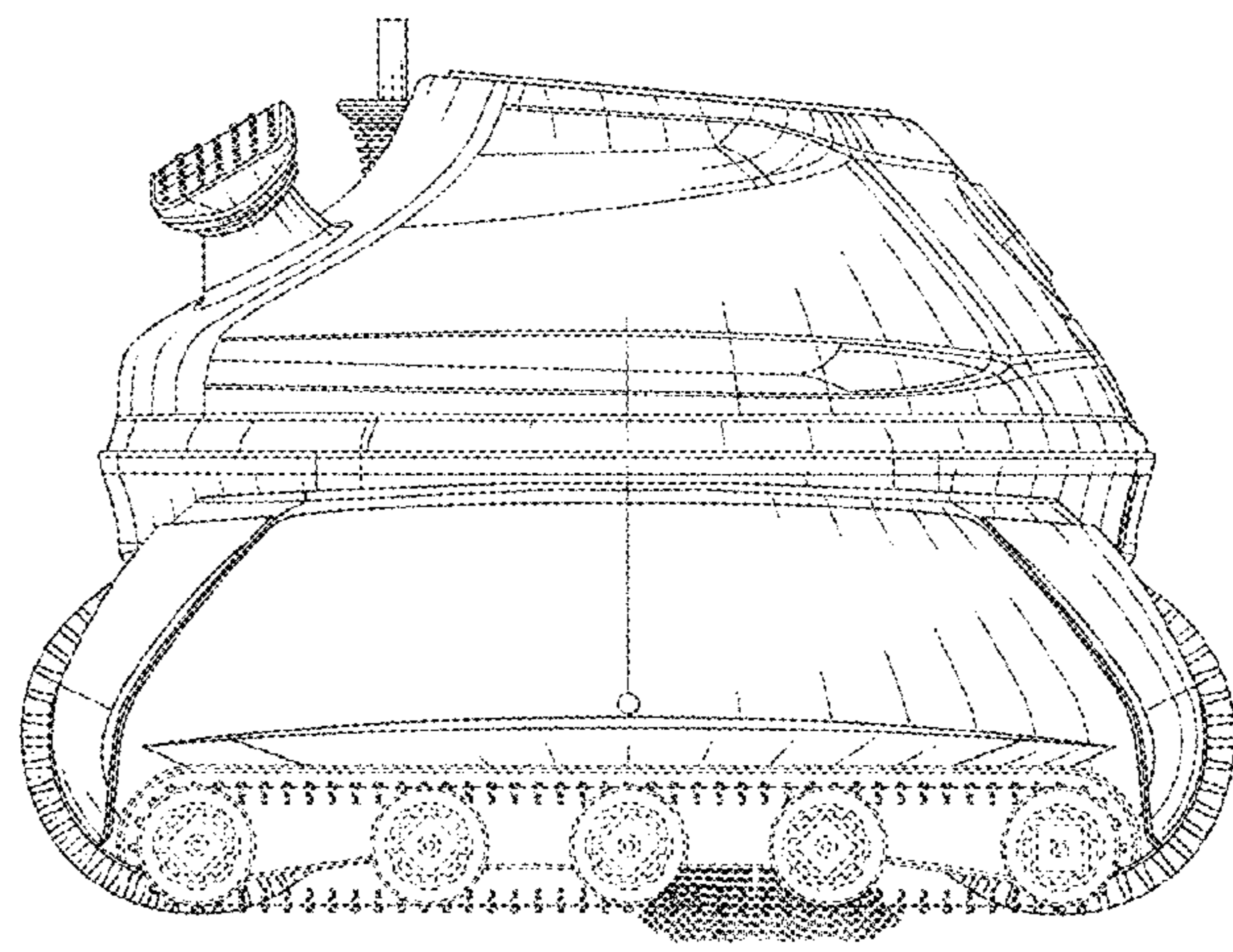
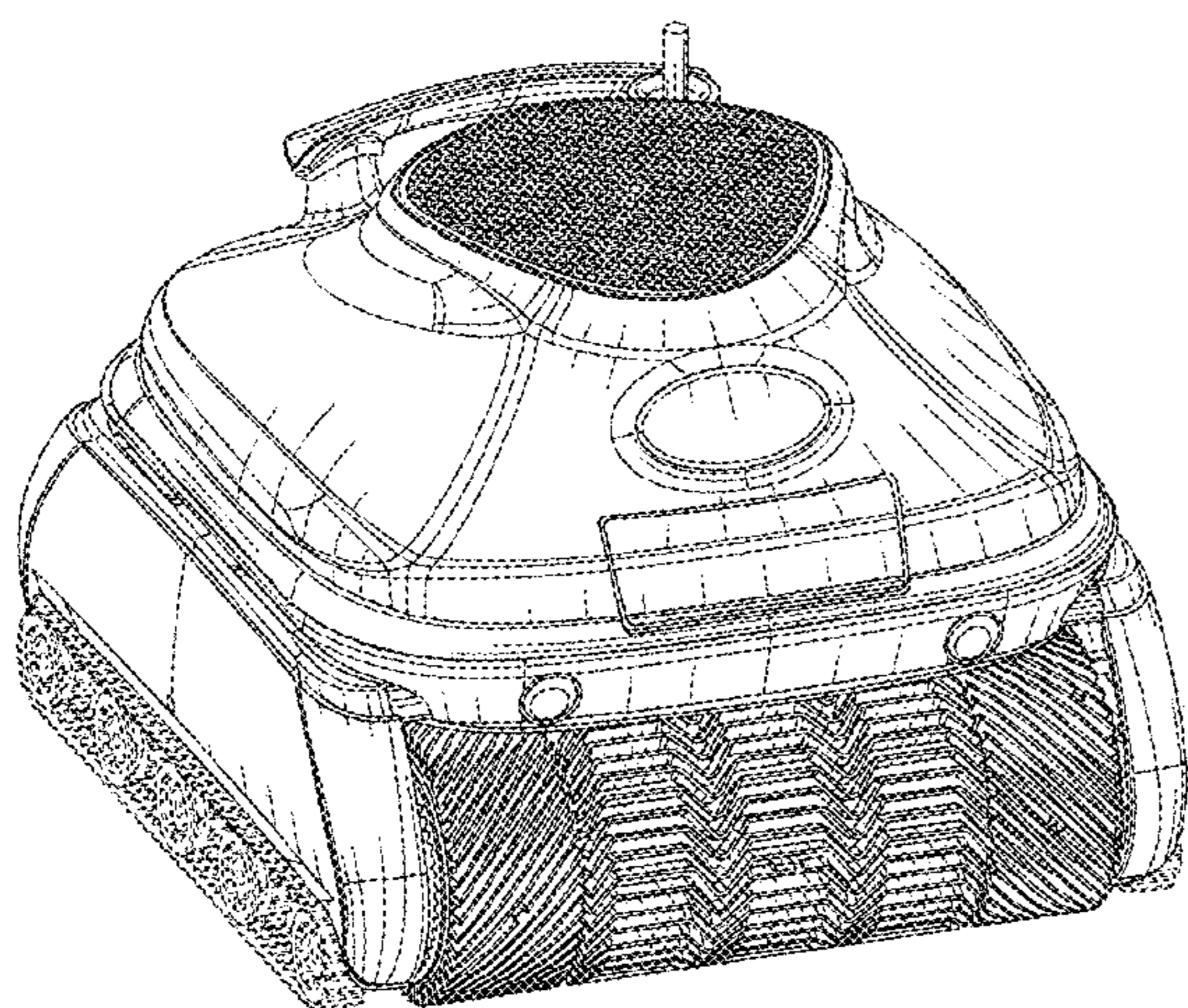
(57) **CLAIM**

I claim the ornamental design for a pool cleaner, as shown and described.

DESCRIPTION

FIG. 1 is a perspective view of a pool cleaner;
FIG. 2 is a front view of a pool cleaner;
FIG. 3 is a rear view of a pool cleaner;
FIG. 4 is a left-side view of a pool cleaner;
FIG. 5 is a right-side view of a pool cleaner;
FIG. 6 is a top plan view of a pool cleaner; and,
FIG. 7 is a bottom plan view of a pool cleaner.
The details shown in broken lines form no part of the claimed design.

1 Claim, 7 Drawing Sheets



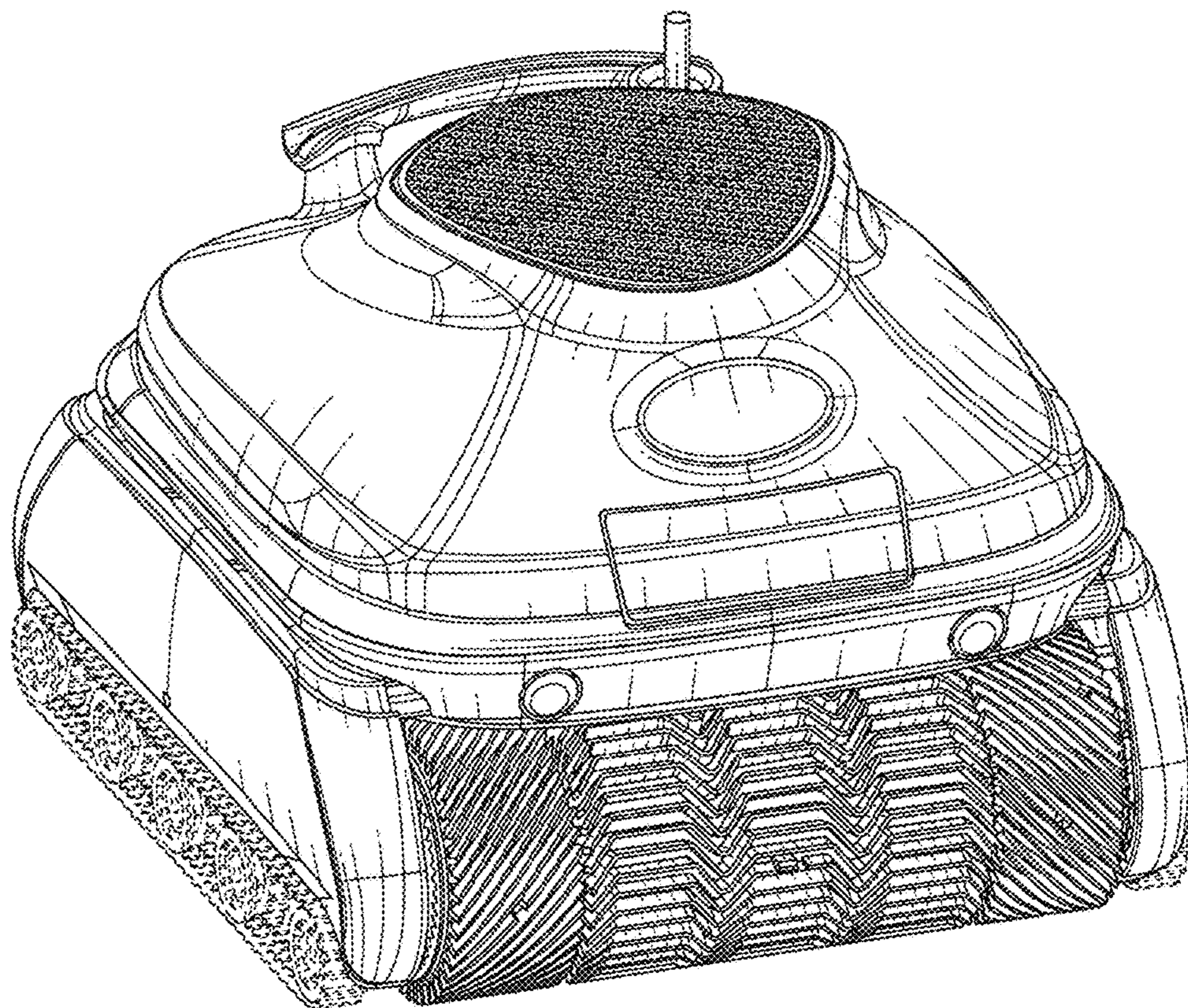


FIG. 1

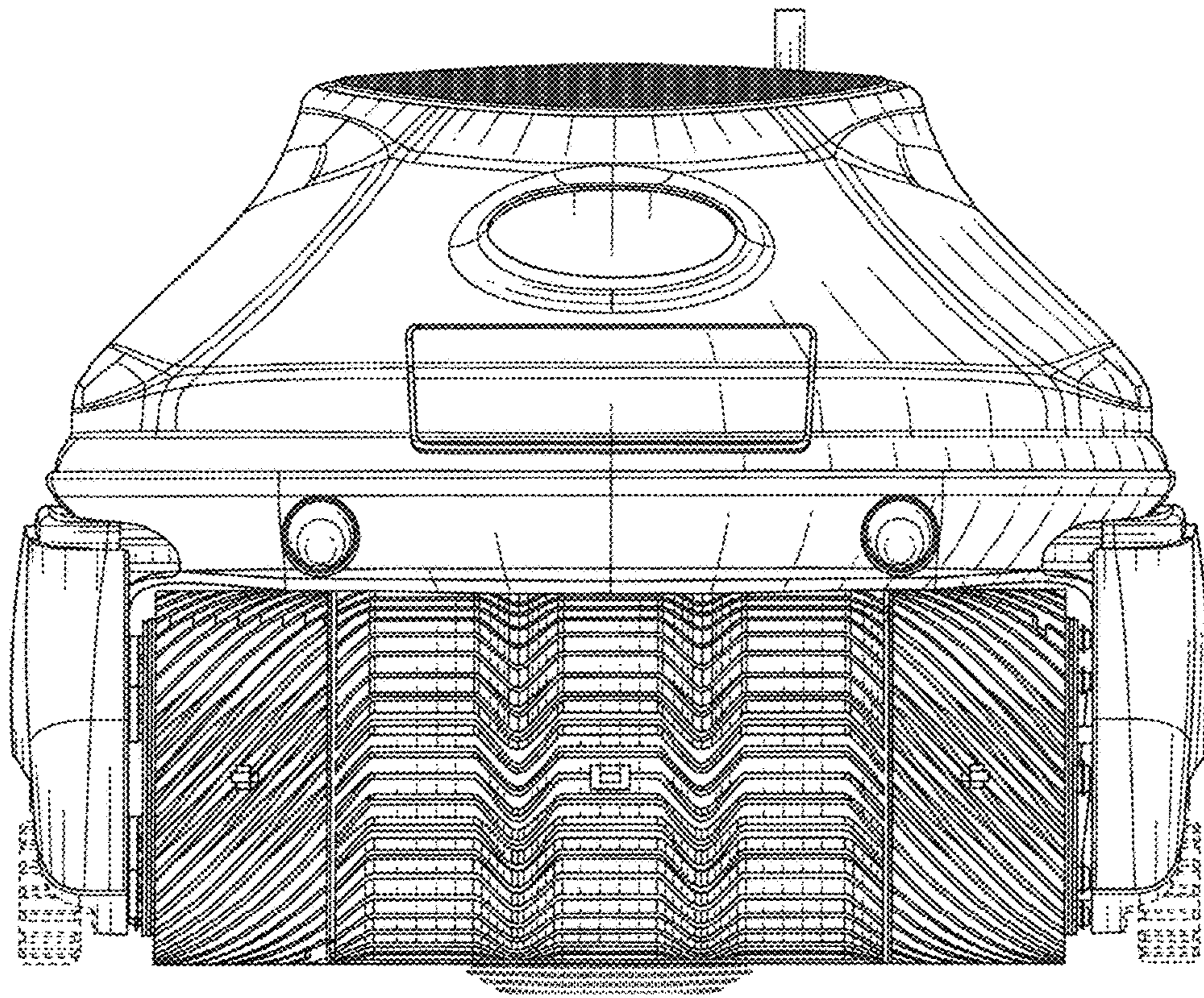


FIG. 2

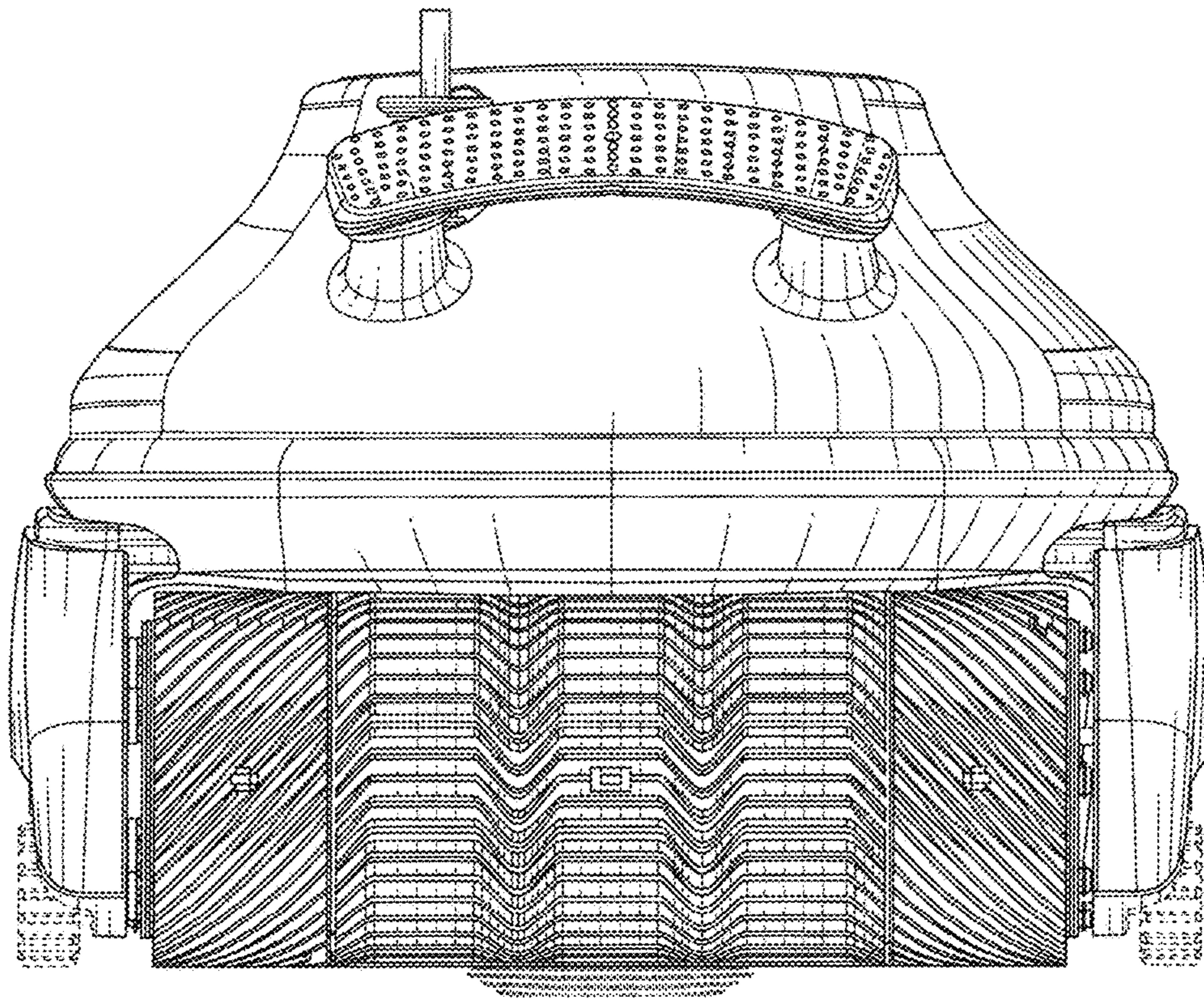


FIG. 3

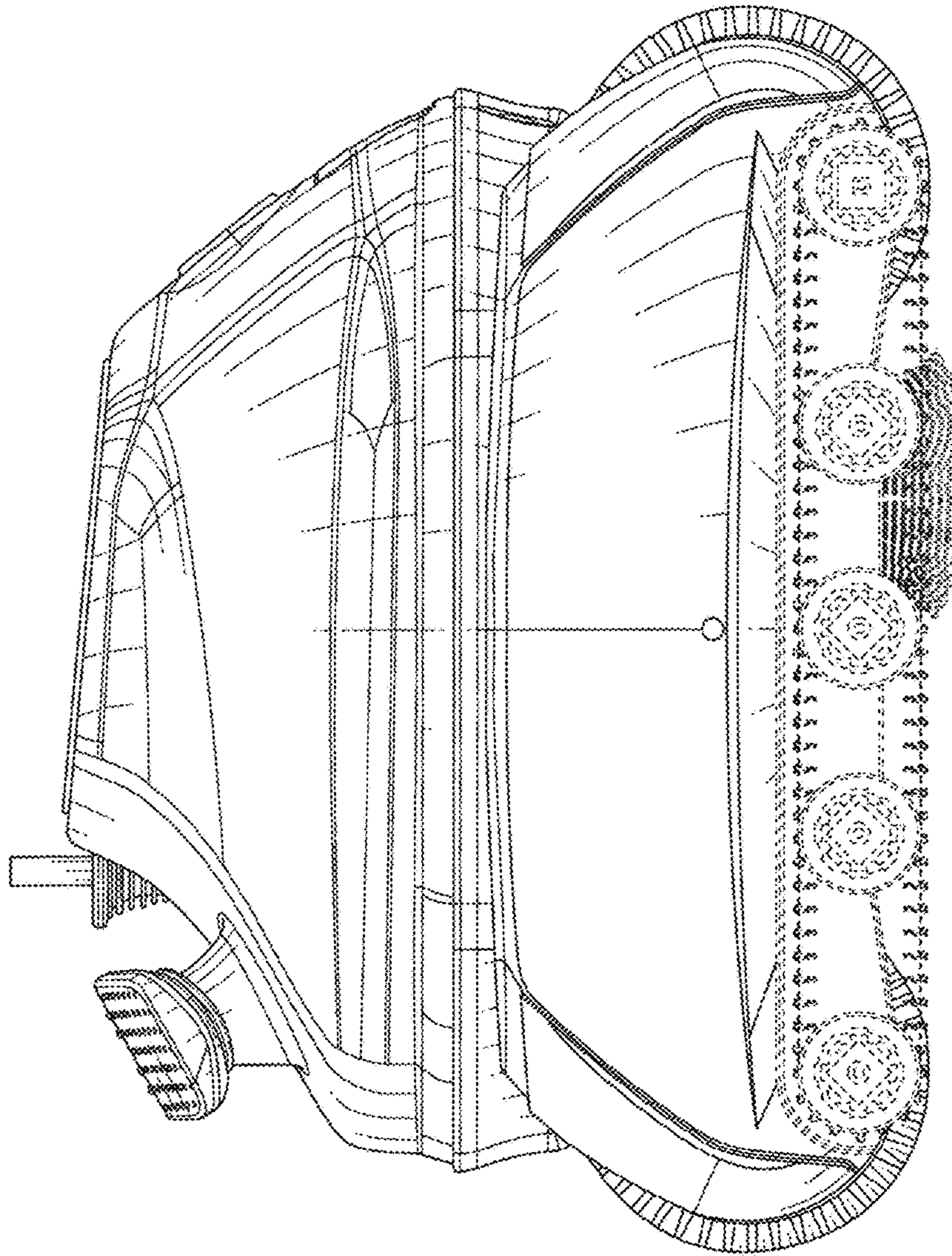


FIG. 4

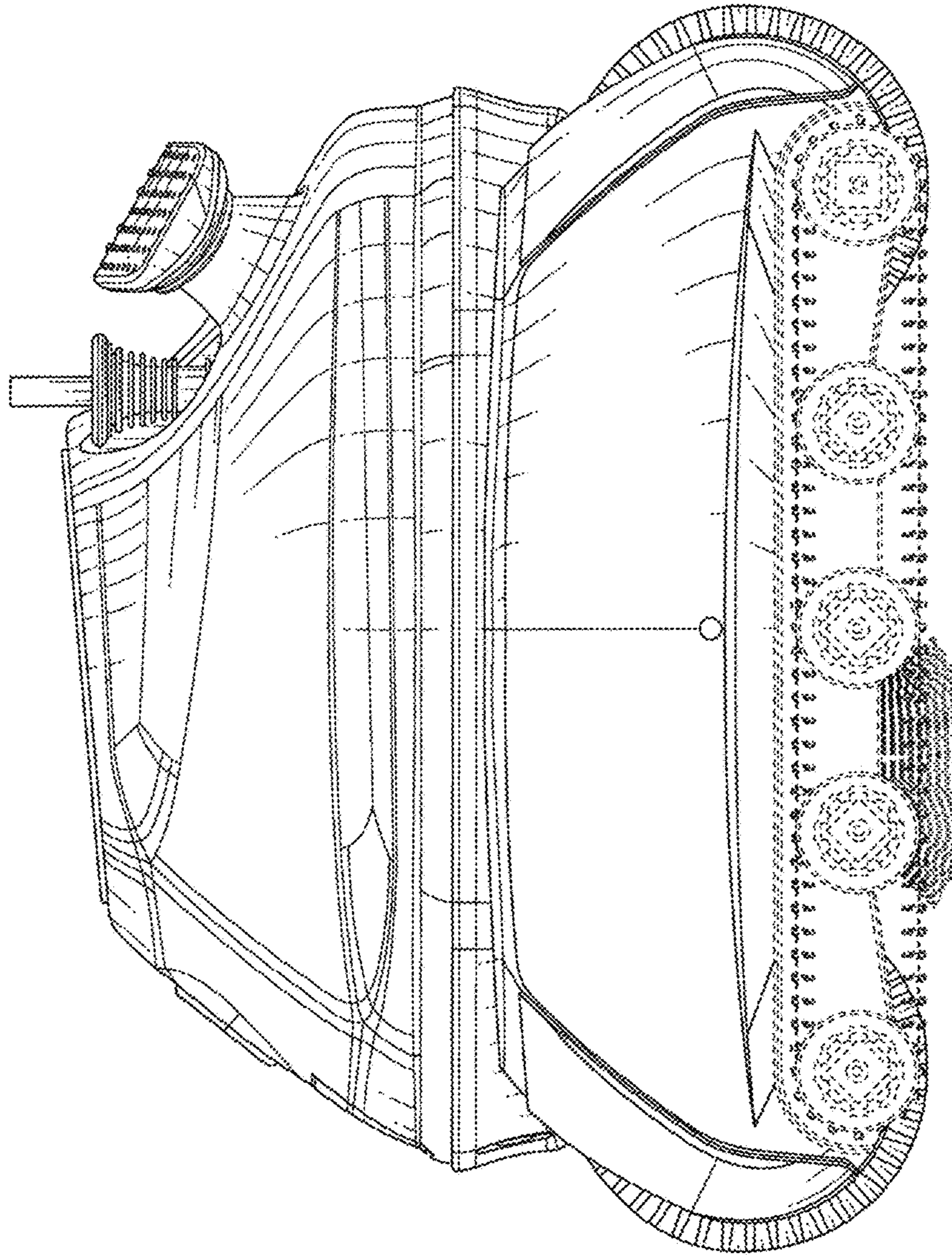


FIG. 5

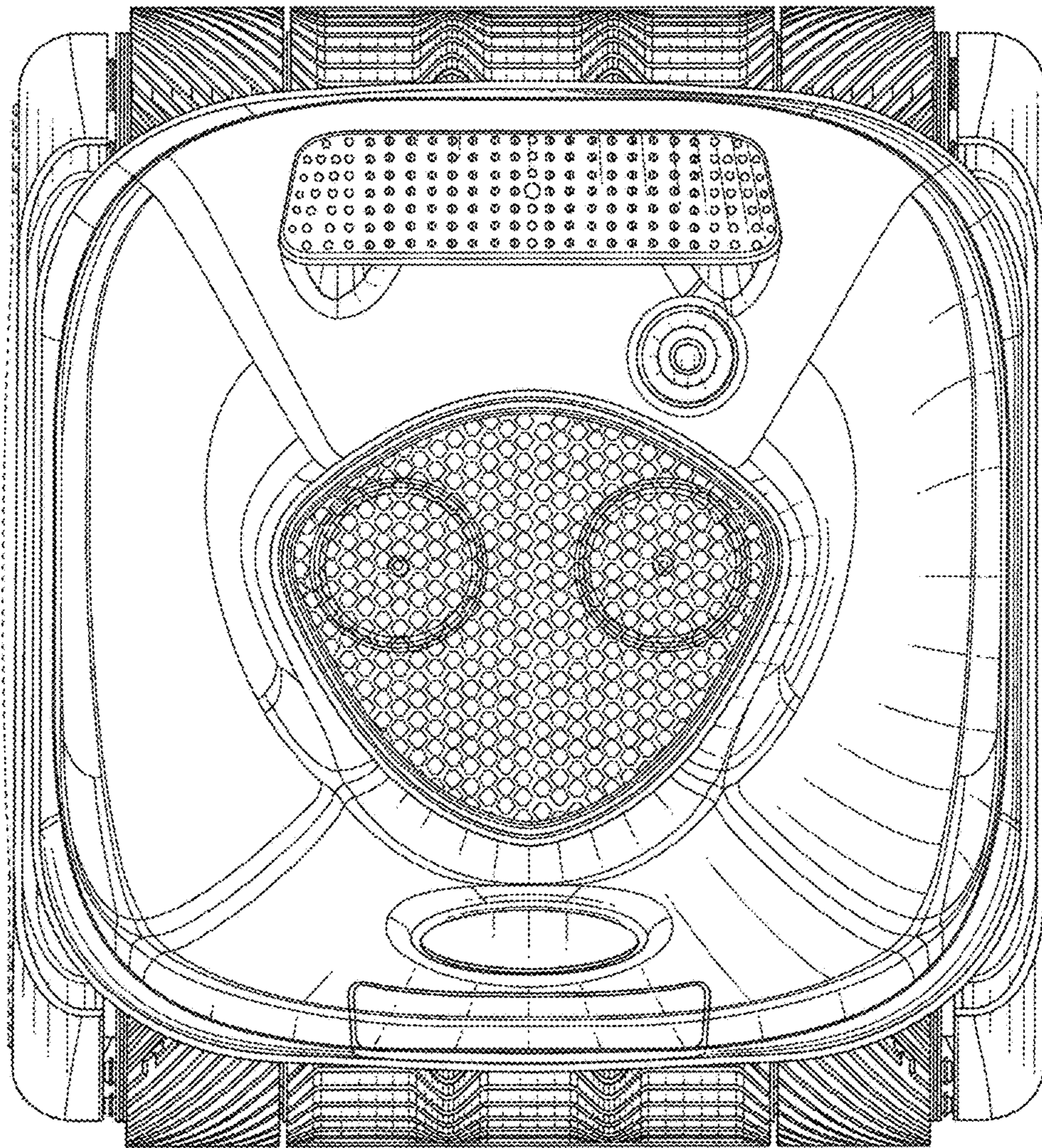


FIG. 6

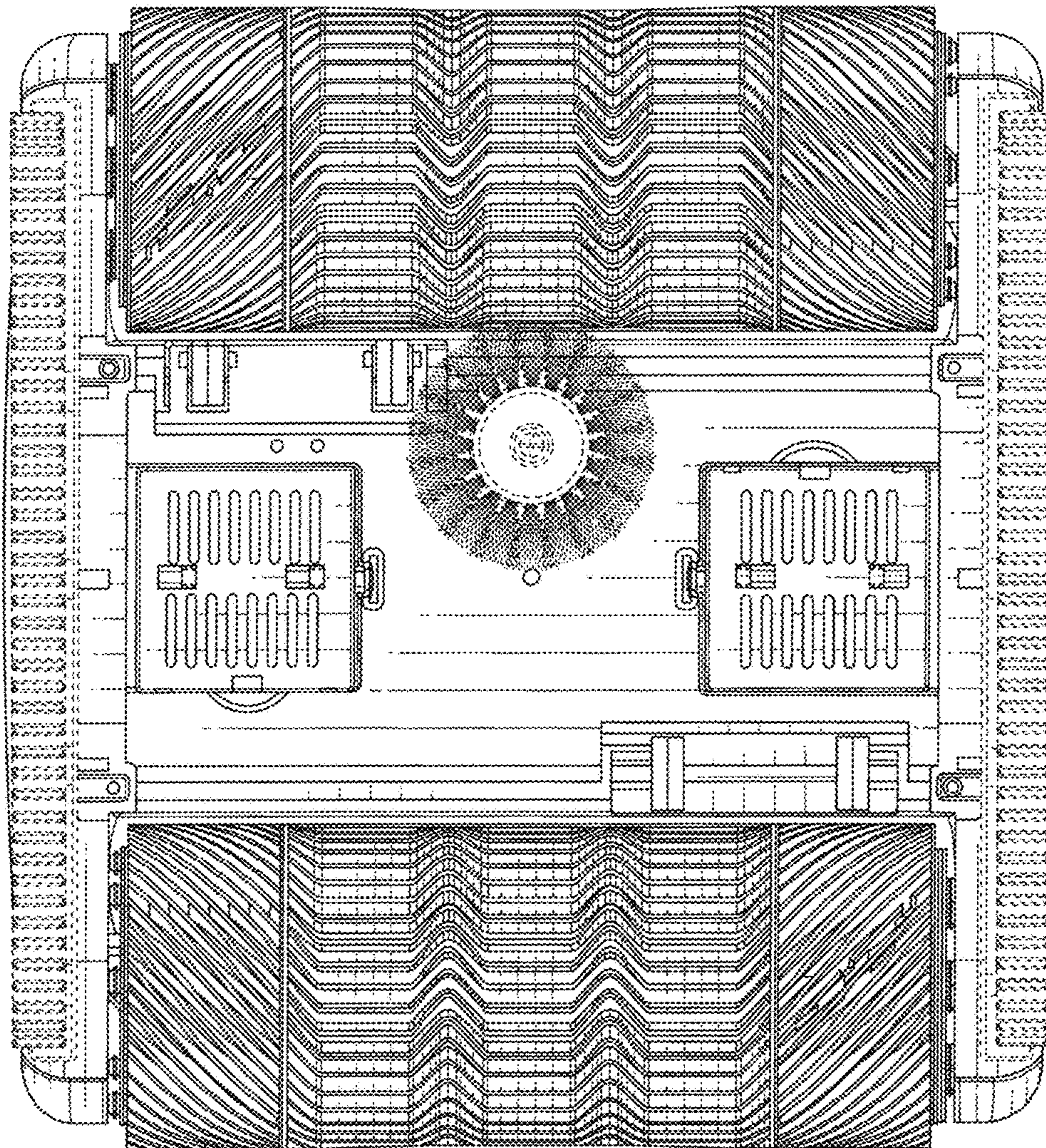


FIG. 7