

US00D848091S

(12) **United States Design Patent**
Yang et al.

(10) **Patent No.:** **US D848,091 S**

(45) **Date of Patent:** **** May 7, 2019**

- (54) **WASHING MACHINE**
- (71) Applicants: **MIDEA GROUP CO., LTD.**, Foshan (CN); **MIDEA AMERICA CORPORATION**, Parsippany, NJ (US)
- (72) Inventors: **Donghwan Yang**, Foshan (CN); **Zhe Zhang**, Foshan (CN); **Su Qin**, Wuxi (CN); **Jing Pan**, Foshan (CN); **Christopher G. Hoppe**, Louisville, KY (US)
- (73) Assignees: **MIDEA GROUP CO., LTD.**, Foshan (CN); **MIDEA AMERICAN CORPORATION**, Parsippany, NJ (US)

D648,085 S *	11/2011	Miller	D32/28
D648,497 S *	11/2011	Bhattacharya	D32/28
D654,640 S *	2/2012	Song	D32/6
D697,680 S *	1/2014	Hwang	D32/25
D704,907 S *	5/2014	Yoo	D32/6
D709,657 S *	7/2014	Shin	D32/25
D711,605 S *	8/2014	Jo	D32/25
D729,467 S *	5/2015	Jee	D32/6
D729,994 S *	5/2015	Kang	D32/6
D729,995 S *	5/2015	Song	D32/6
D730,594 S *	5/2015	Kang	D32/6
D730,595 S *	5/2015	Jeong	D32/6
D733,372 S *	6/2015	Song	D32/6
D744,177 S *	11/2015	Jung	D32/6
D748,355 S *	1/2016	Sim	D32/6
2009/0229320 A1 *	9/2009	Yoo	D06F 23/04 68/3 R
2015/0123521 A1 *	5/2015	Lee	D06F 39/14 312/228

(**) Term: **15 Years**

(21) Appl. No.: **29/579,275**

(22) Filed: **Sep. 29, 2016**

(51) **LOC (11) Cl.** **15-05**

(52) **U.S. Cl.**
USPC **D32/6**

(58) **Field of Classification Search**
USPC D32/1, 5, 6, 8
CPC D06F 33/02; D06F 39/02; D06F 2204/065;
D06F 25/00; D06F 35/006; D06F 58/00;
D06F 58/02; D06F 58/04; D06F 58/20;
D06F 23/04; G05B 19/042
See application file for complete search history.

(56) **References Cited**

U.S. PATENT DOCUMENTS

D422,387 S *	4/2000	Mutoh	D32/25
D446,891 S *	8/2001	Kim	D32/6
D524,494 S *	7/2006	Kim	D32/9
D541,491 S *	4/2007	Jun	D32/6
D619,314 S *	7/2010	Bixby	D32/25
D621,563 S *	8/2010	Bixby	D32/25

* cited by examiner

Primary Examiner — Michelle E. Wilson
(74) *Attorney, Agent, or Firm* — Hodgson Russ LLP

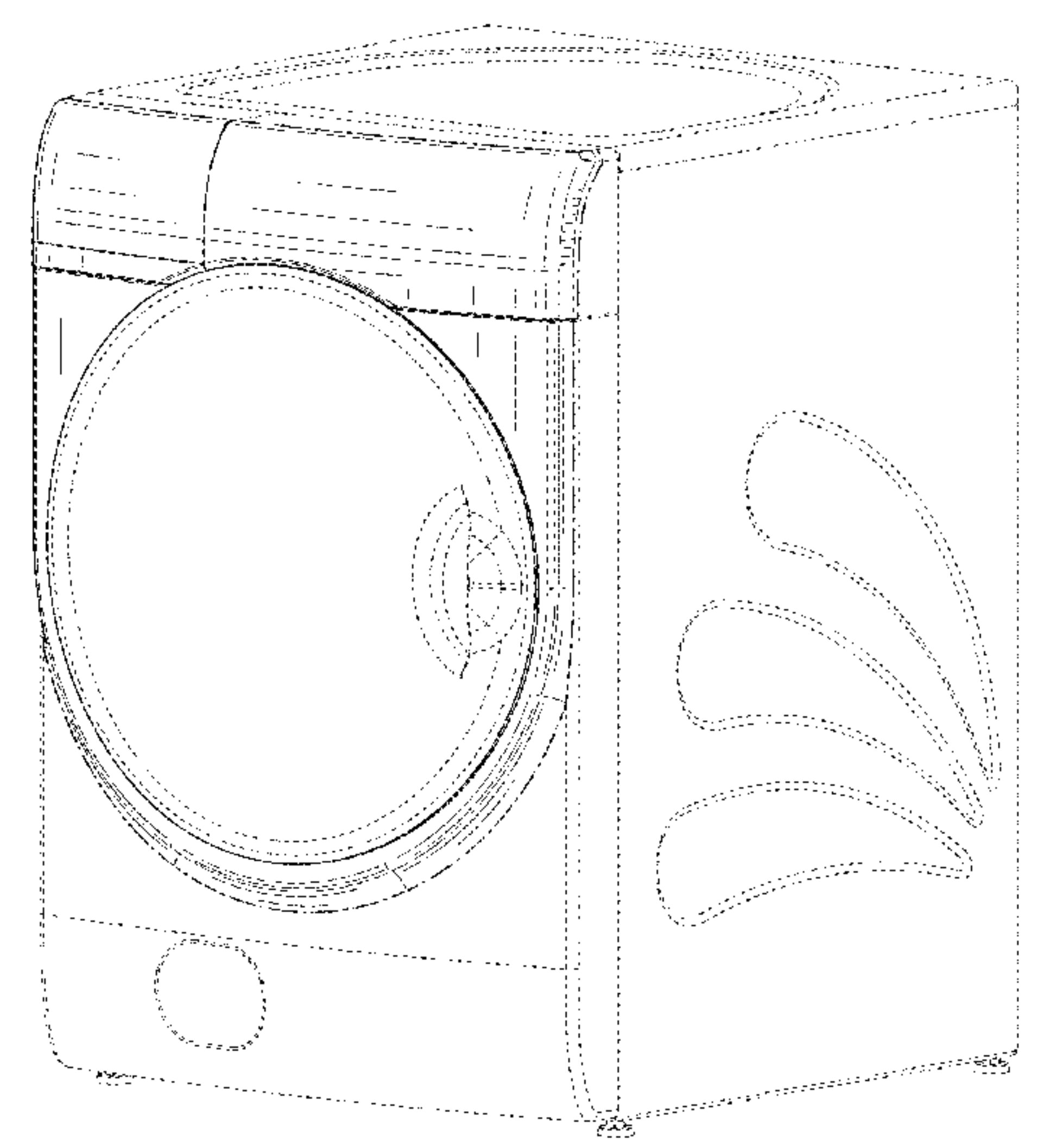
(57) **CLAIM**

The ornamental design for a washing machine, as shown and described.

DESCRIPTION

FIG. 1 is a perspective view of a washing machine;
FIG. 2 is a front elevation view thereof;
FIG. 3 is a rear elevation view thereof;
FIG. 4 is a right side elevation view thereof;
FIG. 5 is a left side elevation view thereof;
FIG. 6 is a top plan view thereof; and,
FIG. 7 is a bottom plan view thereof.
The broken lines represent unclaimed features of the washing machine that form no part of the claimed design. The long dash-short dash lines indicate surface boundaries of the claimed design.

1 Claim, 7 Drawing Sheets



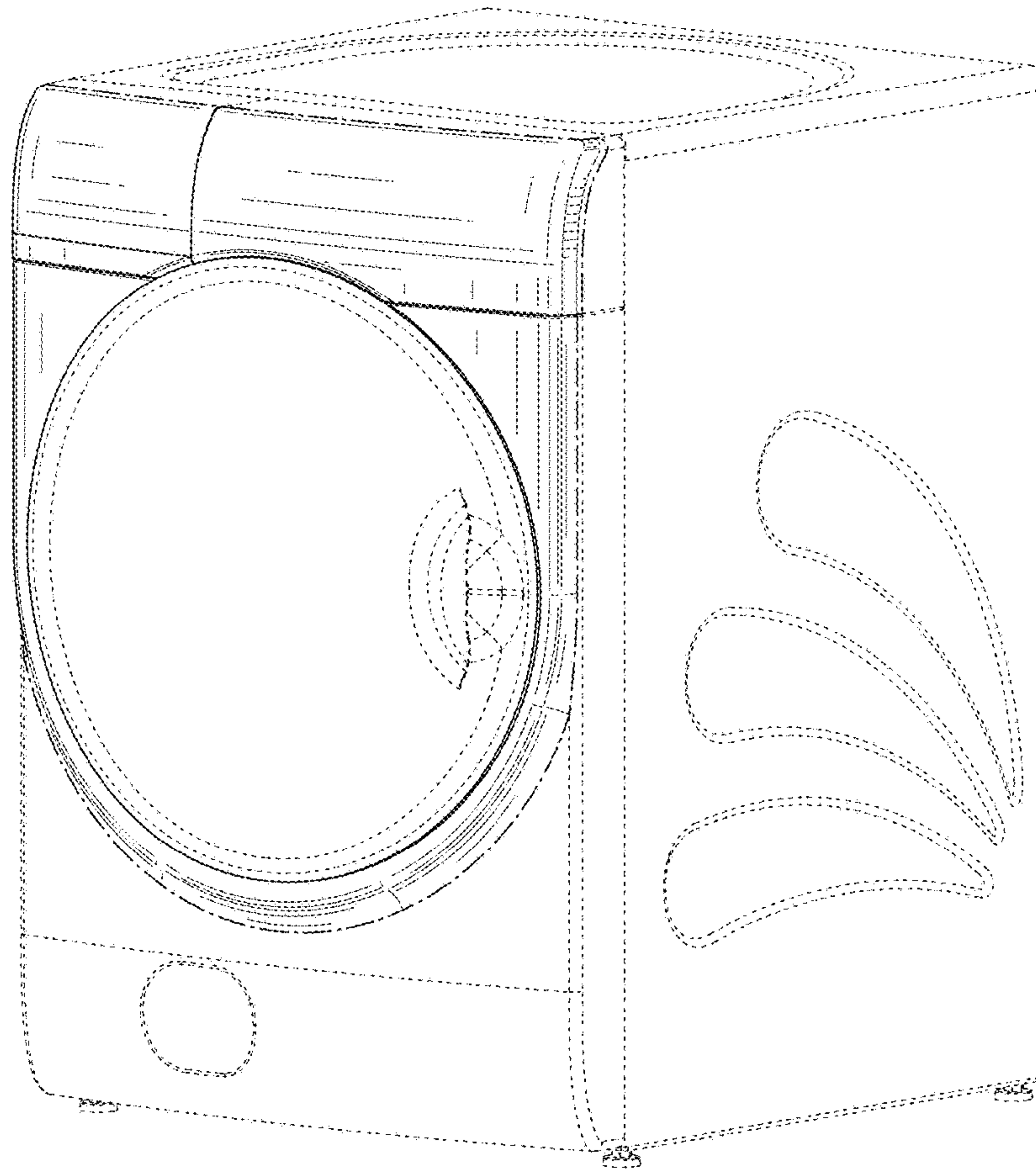


FIG.1

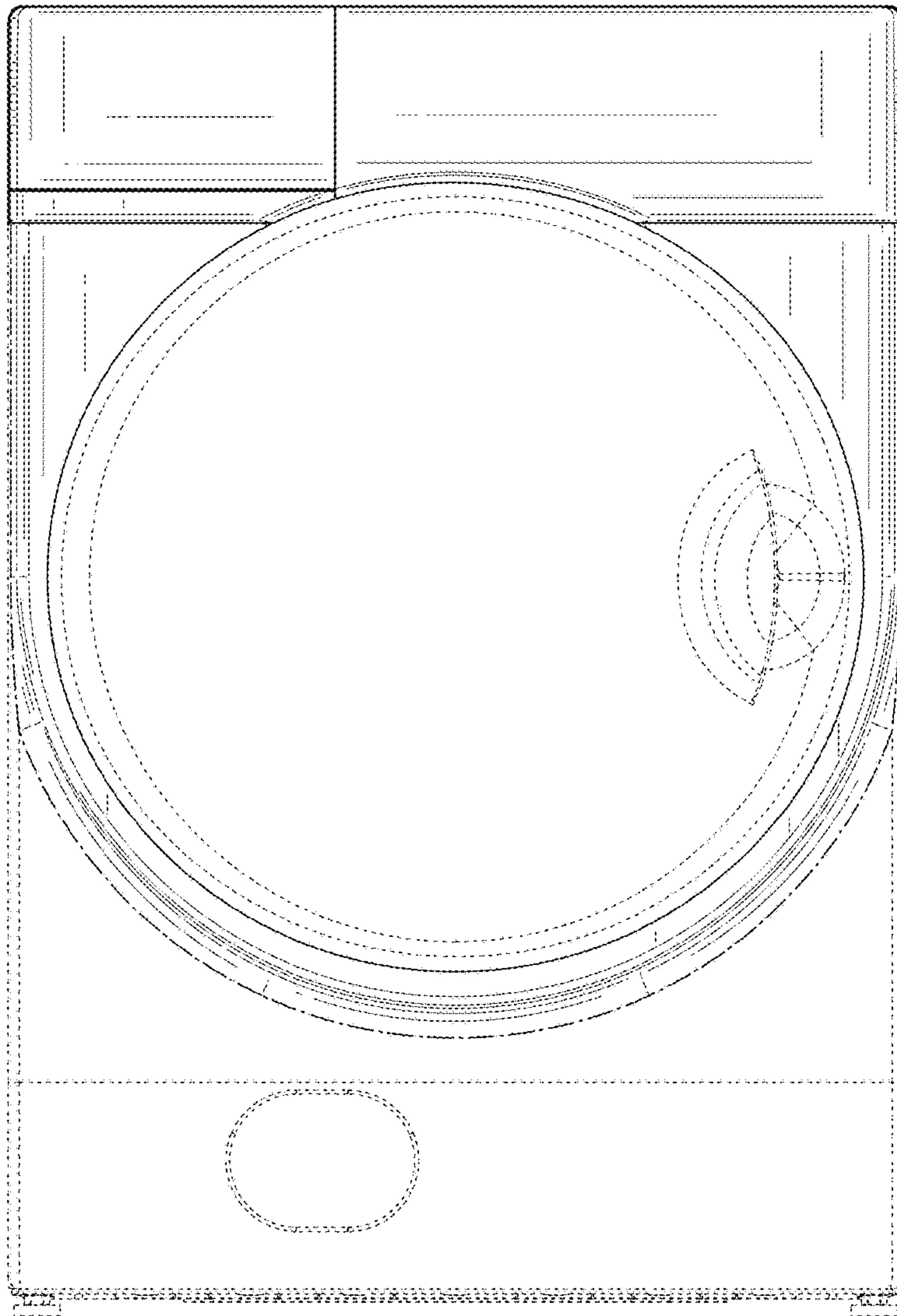


FIG.2

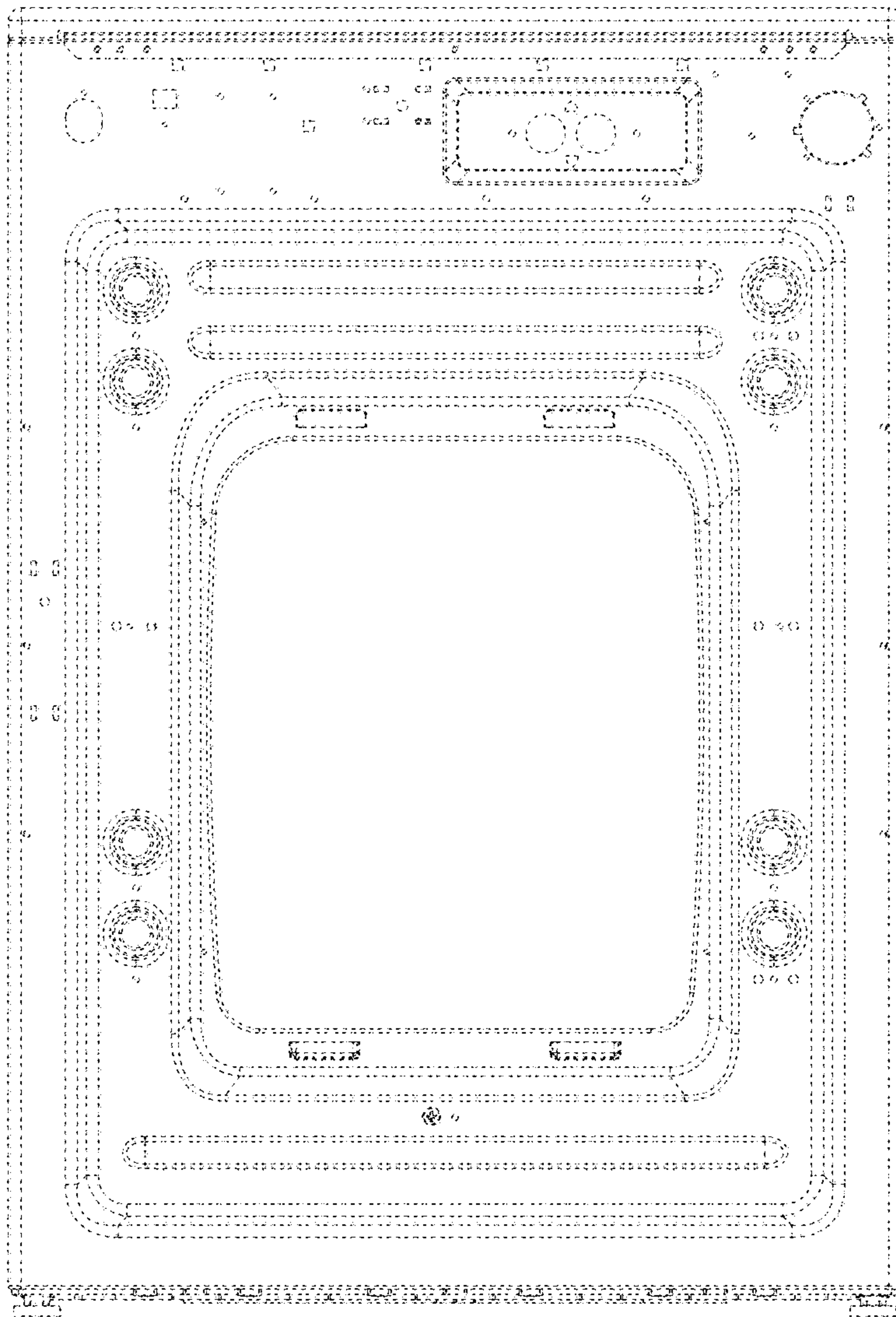


FIG.3

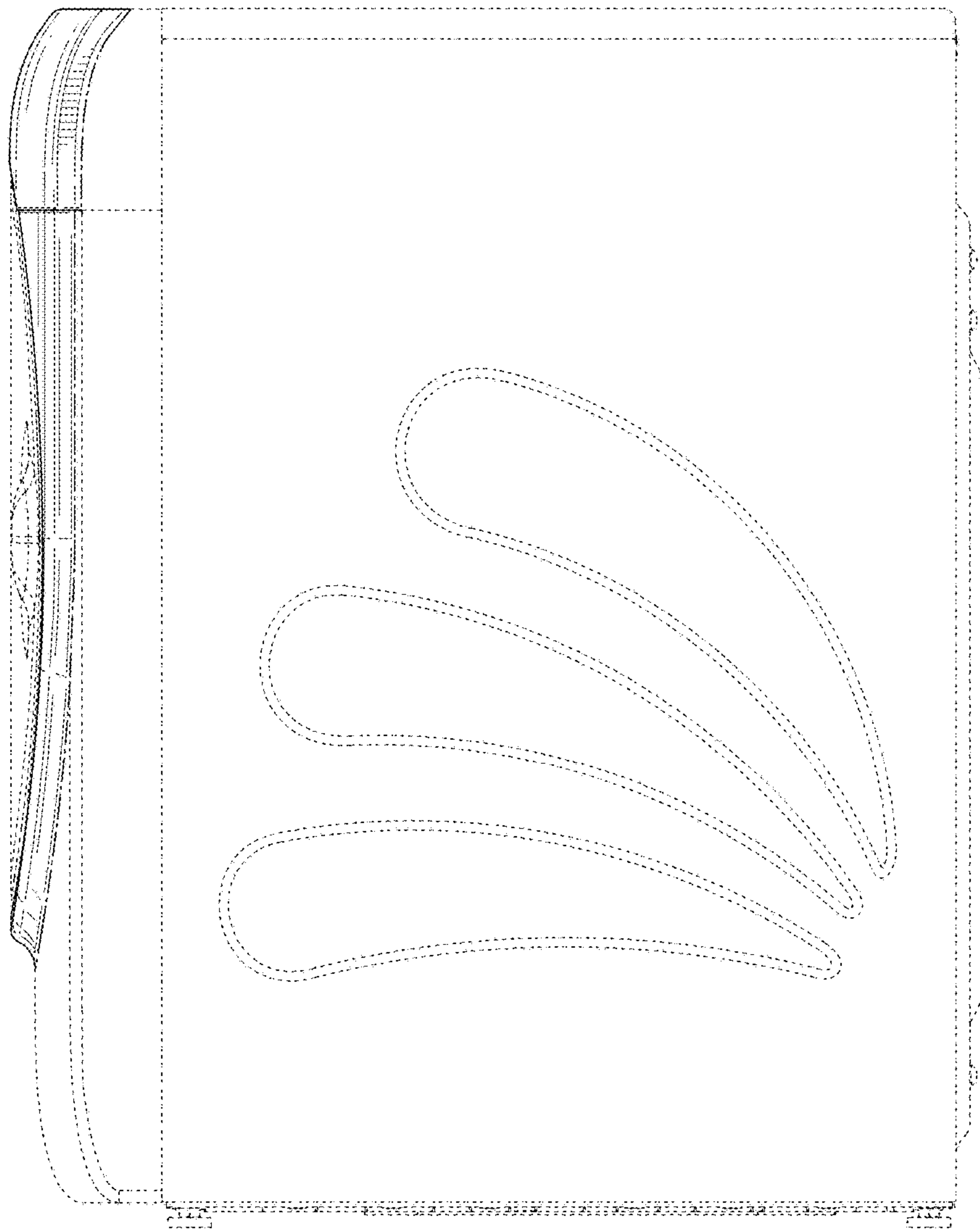


FIG. 4

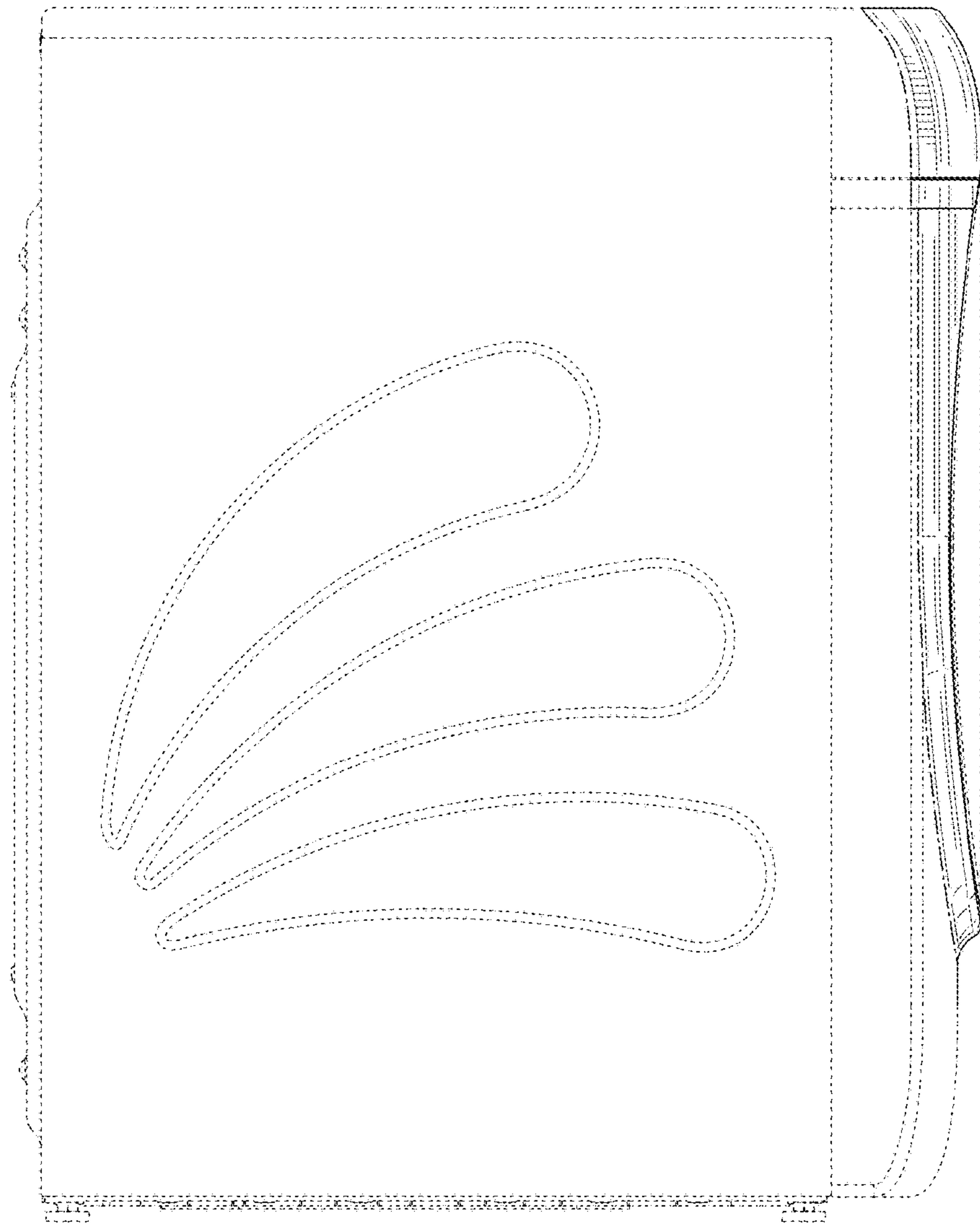


FIG.5

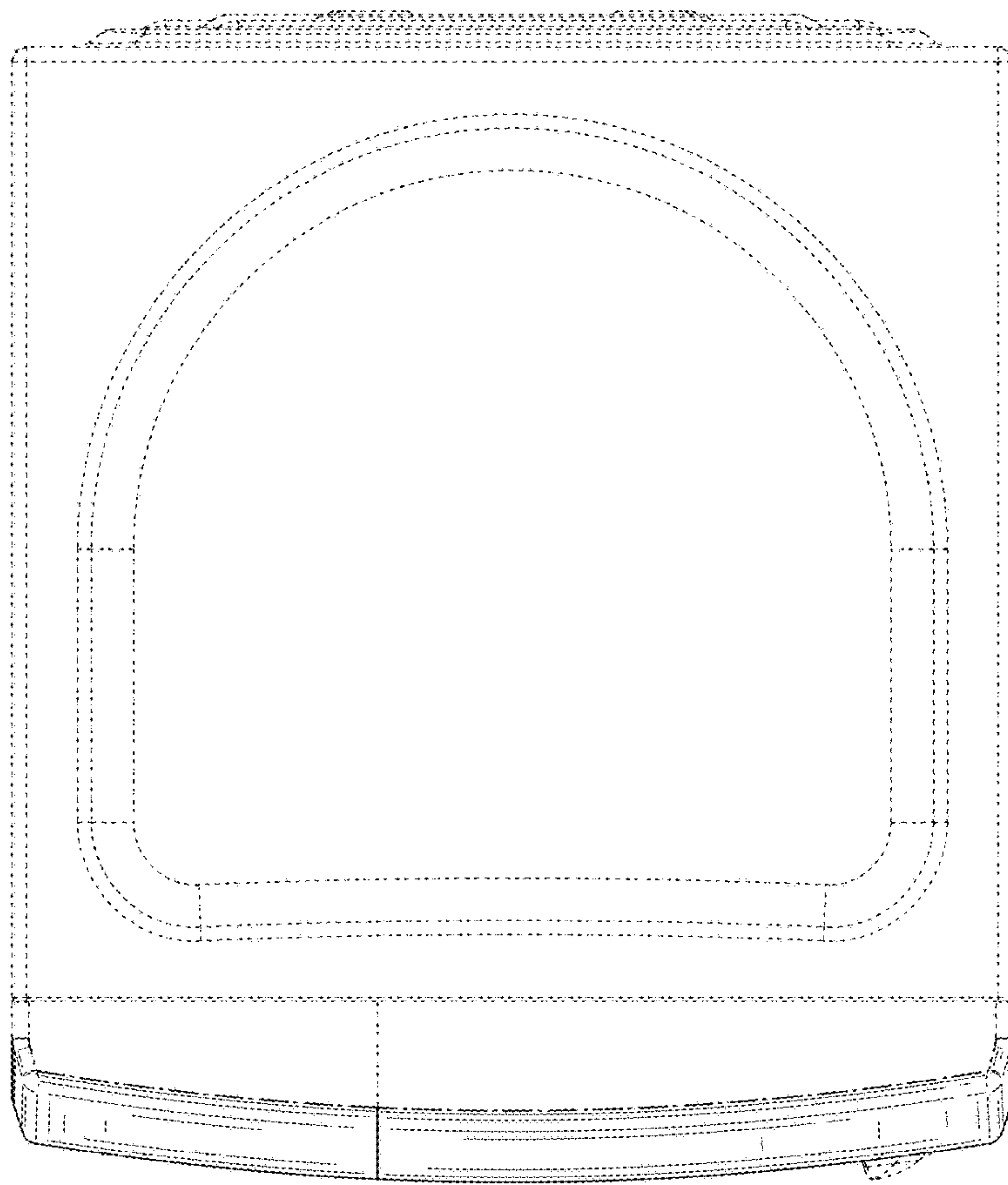


FIG. 6

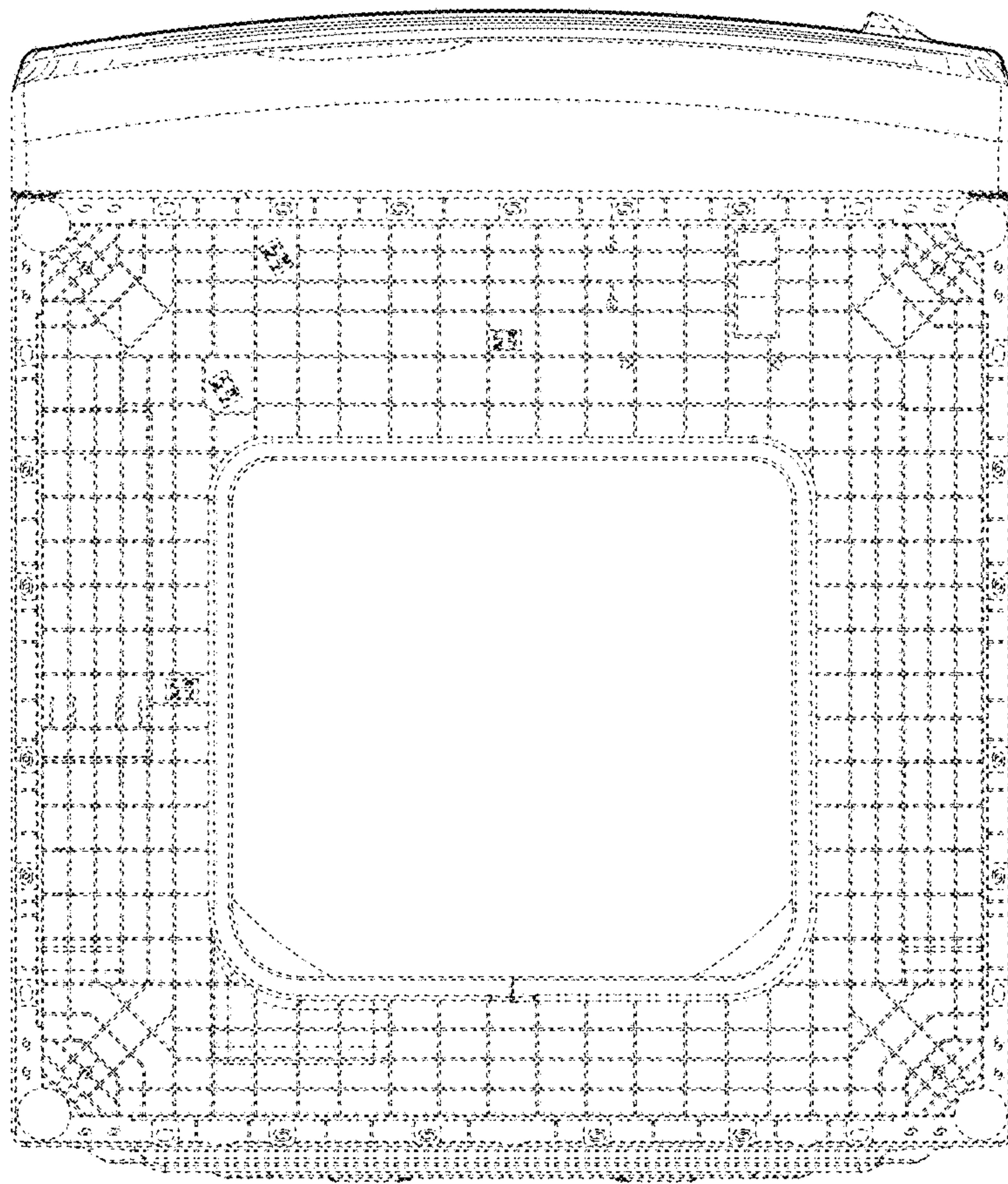


FIG. 7