



US00D848090S

(12) **United States Design Patent**  
**Cunniff**

(10) **Patent No.:** **US D848,090 S**

(45) **Date of Patent:** **\*\* May 7, 2019**

- (54) **PET MASSAGER**
- (71) Applicant: **Massage For Pets LLC**, New York, NY (US)
- (72) Inventor: **Kyle Cunniff**, Alamosa, CO (US)
- (73) Assignee: **Massage For Pets LLC**, New York, NY (US)
- (\*\*) Term: **15 Years**
- (21) Appl. No.: **29/625,354**
- (22) Filed: **Nov. 9, 2017**
- (51) **LOC (11) Cl.** ..... **30-99**
- (52) **U.S. Cl.**  
USPC ..... **D30/199; D30/158**
- (58) **Field of Classification Search**  
USPC ..... D30/158, 160, 199; D24/200, 209, D24/211-215; 601/125-132, 113, 118, 601/133, 135, 134, 137, 136; 607/96; 606/180  
CPC ..... A01K 13/00; A01K 29/00; A61H 15/00; A61H 15/0085; A61H 15/0092; A61H 15/02; A61H 2015/0042; A61H 2015/005; A61H 2015/0057; A61H 2015/0064; A61H 23/0263  
See application file for complete search history.

(56) **References Cited**

**U.S. PATENT DOCUMENTS**

- 693,064 A \* 2/1902 Proben et al. .... A61H 15/0092  
601/129
- 1,921,901 A \* 8/1933 Anderson ..... A01M 15/00  
119/662
- 2,011,471 A \* 8/1935 Casagrande ..... A61H 15/0092  
601/128
- RE19,696 E \* 9/1935 Hemp ..... A61H 15/0092  
601/129

- 2,246,263 A \* 6/1941 Patterson ..... B43L 17/08  
156/579
- 4,210,135 A \* 7/1980 Deuser ..... A61H 7/003  
601/129
- D276,652 S \* 12/1984 O'Brien ..... D24/211
- D281,815 S \* 12/1985 Conn, Sr. .... D24/211
- 4,989,585 A \* 2/1991 Auker ..... A61H 15/0092  
601/118
- D359,360 S \* 6/1995 Ivy ..... D24/211
- D371,607 S \* 7/1996 Taylor ..... D24/211
- 5,735,803 A \* 4/1998 Musilli ..... A61H 15/0092  
601/128
- D492,037 S \* 6/2004 Chien ..... D24/211
- D530,428 S \* 10/2006 Huang ..... D24/214
- D674,500 S \* 1/2013 Matsushita ..... D24/211
- D687,956 S \* 8/2013 Williams, III ..... D24/211
- D719,664 S \* 12/2014 Riftin ..... D24/211
- D728,115 S \* 4/2015 Matsushita ..... D24/211
- D829,919 S \* 10/2018 Davis ..... D24/211
- 2003/0100936 A1 \* 5/2003 Altshuler ..... A46B 15/0036  
607/96

(Continued)

*Primary Examiner* — Susan Moon Lee  
(74) *Attorney, Agent, or Firm* — Kirschstein, Israel, Schiffmiller & Pieroni, P.C.

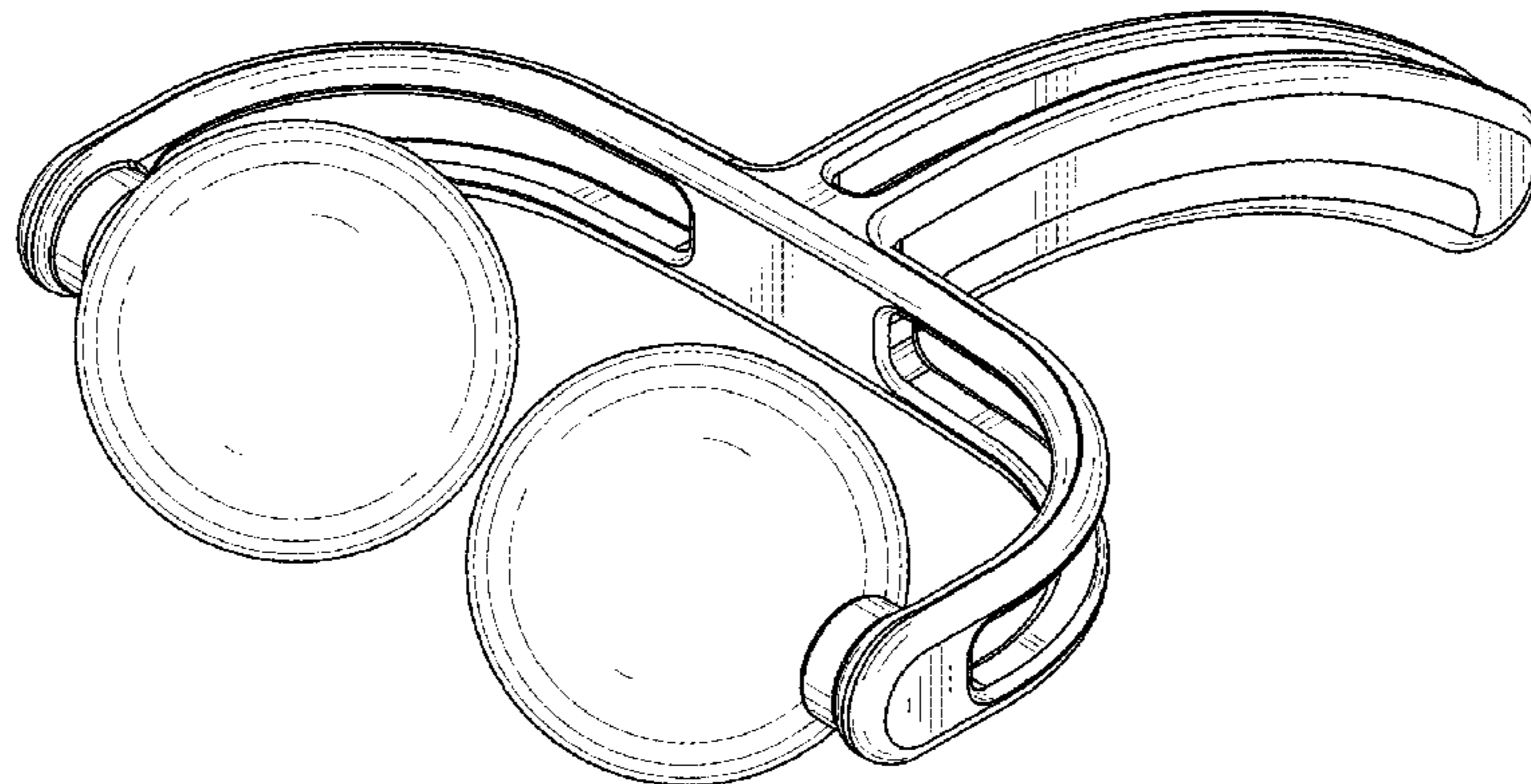
(57) **CLAIM**

The ornamental design for a pet massager, as shown.

**DESCRIPTION**

FIG. 1 is a perspective view of a pet massager as seen from above according to my new design.  
FIG. 2 is a perspective view thereof as seen from below.  
FIG. 3 is a right side elevational view thereof.  
FIG. 4 is a left side elevational view thereof.  
FIG. 5 is a top plan view thereof.  
FIG. 6 is a bottom plan view thereof.  
FIG. 7 is a front elevational view thereof; and,  
FIG. 8 is a rear elevational view thereof.

**1 Claim, 7 Drawing Sheets**



(56)

**References Cited**

U.S. PATENT DOCUMENTS

2006/0276732 A1\* 12/2006 Chen ..... A61H 15/0092  
601/113  
2009/0312691 A1\* 12/2009 Kim ..... A61H 15/0092  
604/22  
2018/0042806 A1\* 2/2018 West ..... A61H 15/0092  
2018/0161234 A1\* 6/2018 Dominee ..... A61H 15/00  
2018/0353371 A1\* 12/2018 Shikahama ..... A61H 15/00

\* cited by examiner

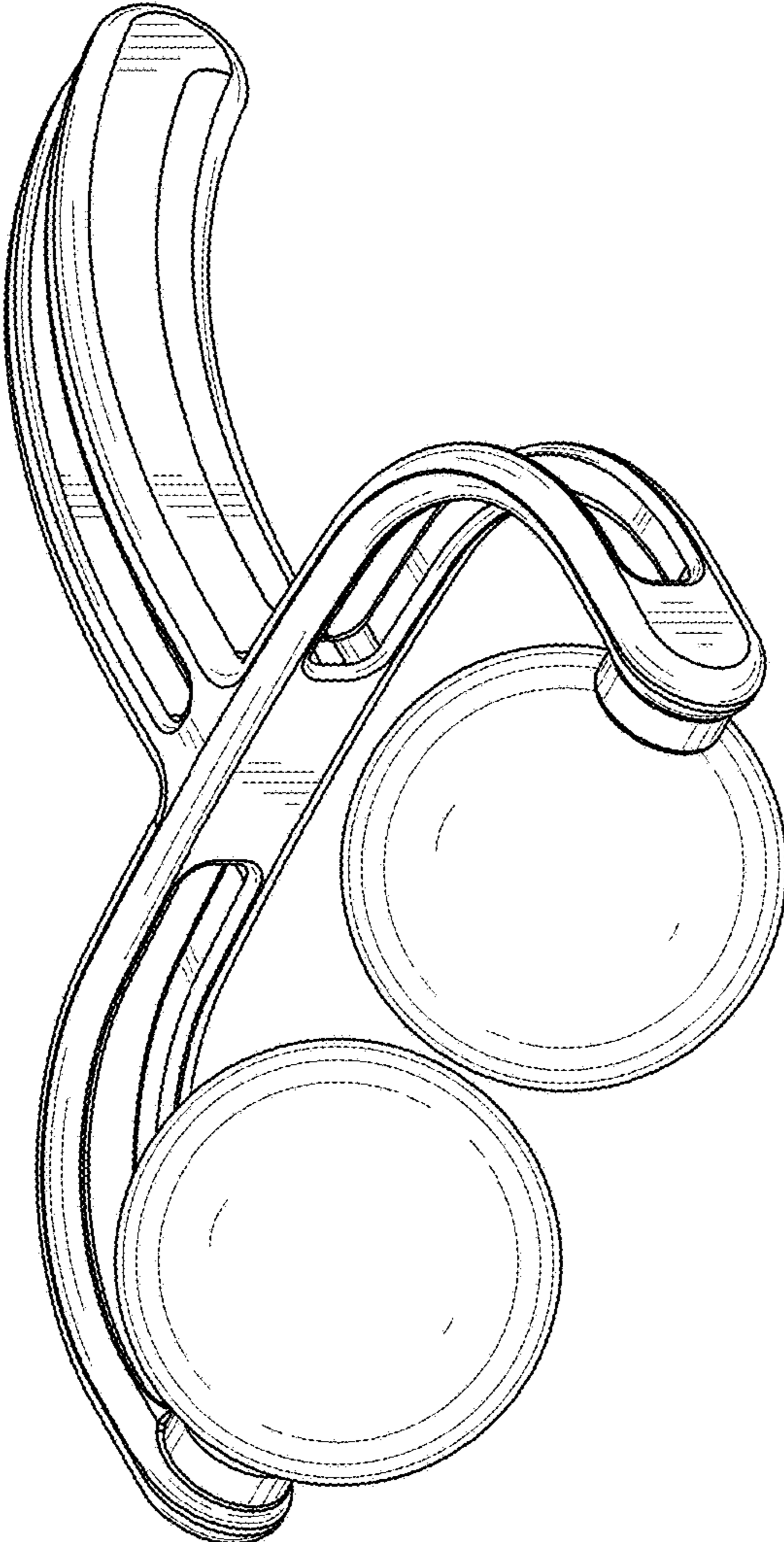


FIG. 1

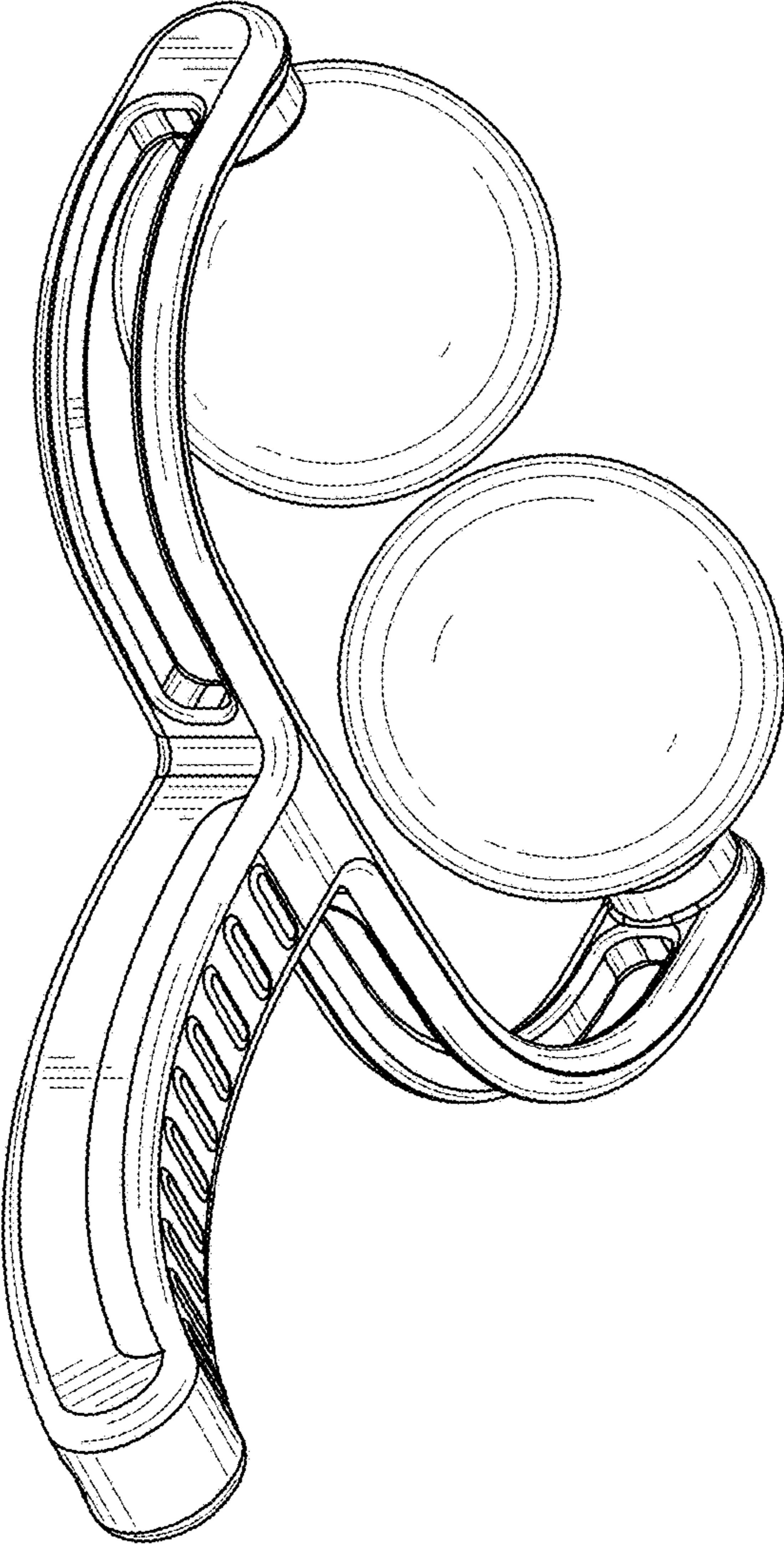


FIG. 2

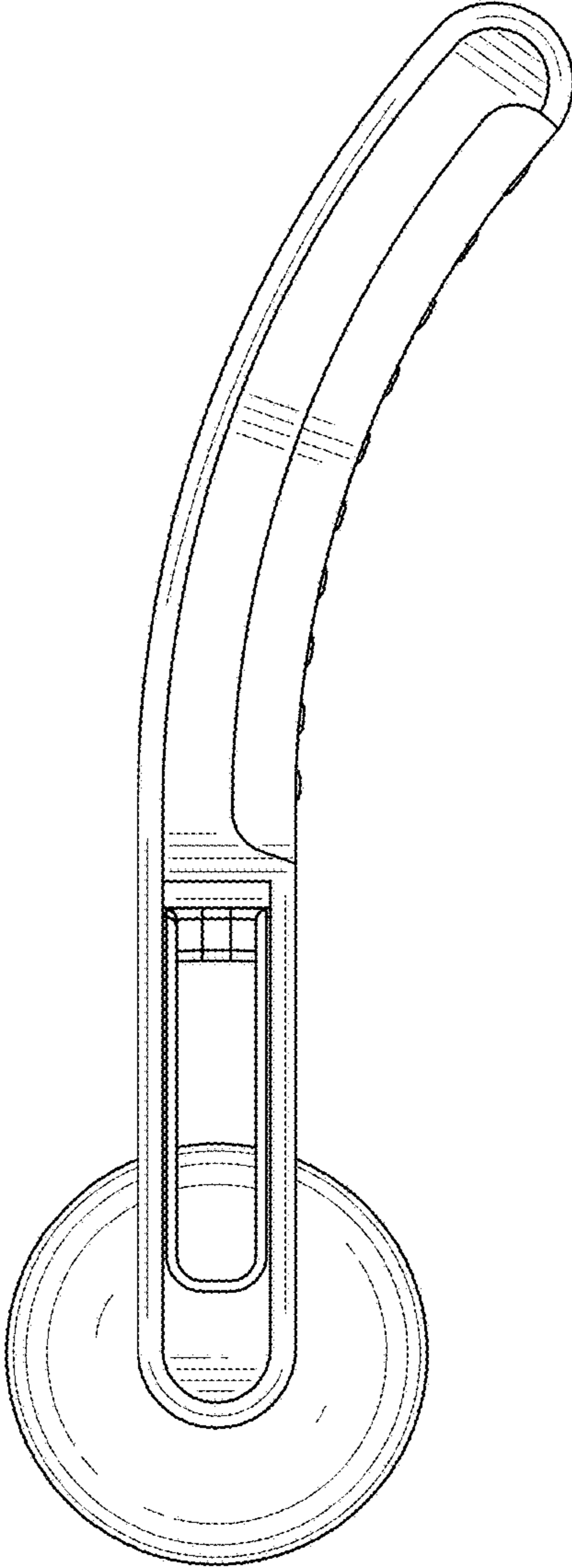


FIG. 3

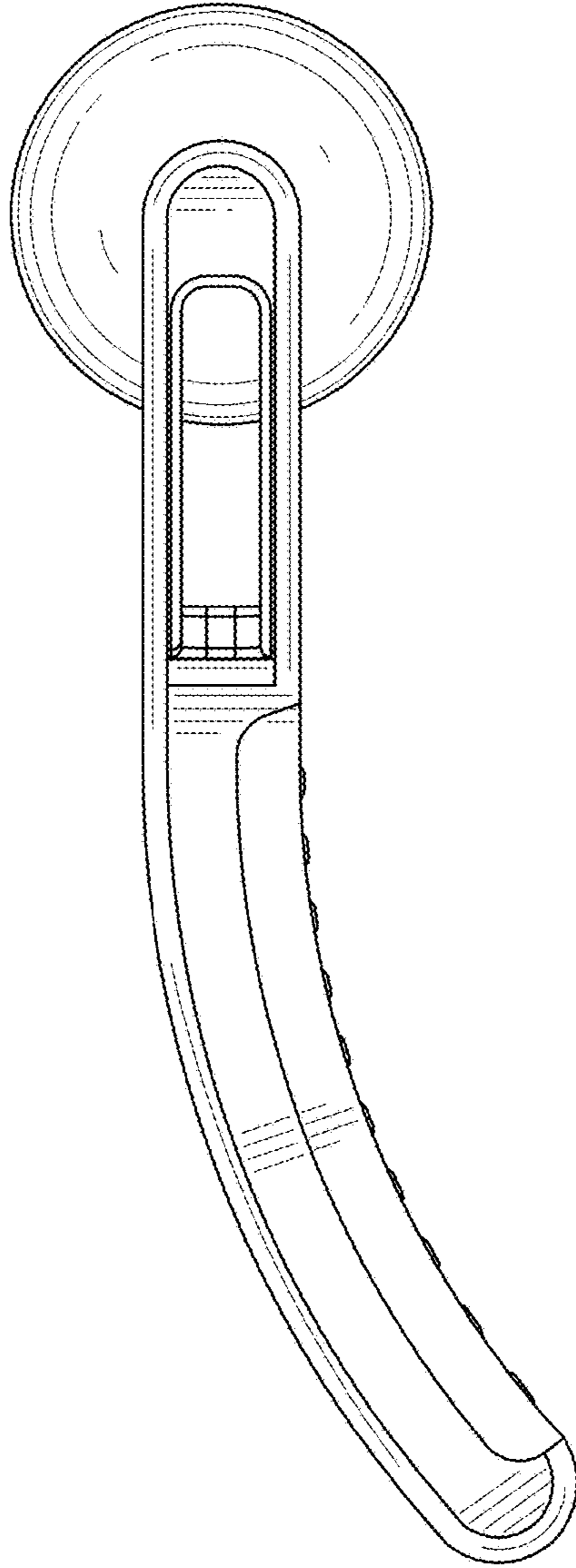


FIG. 4

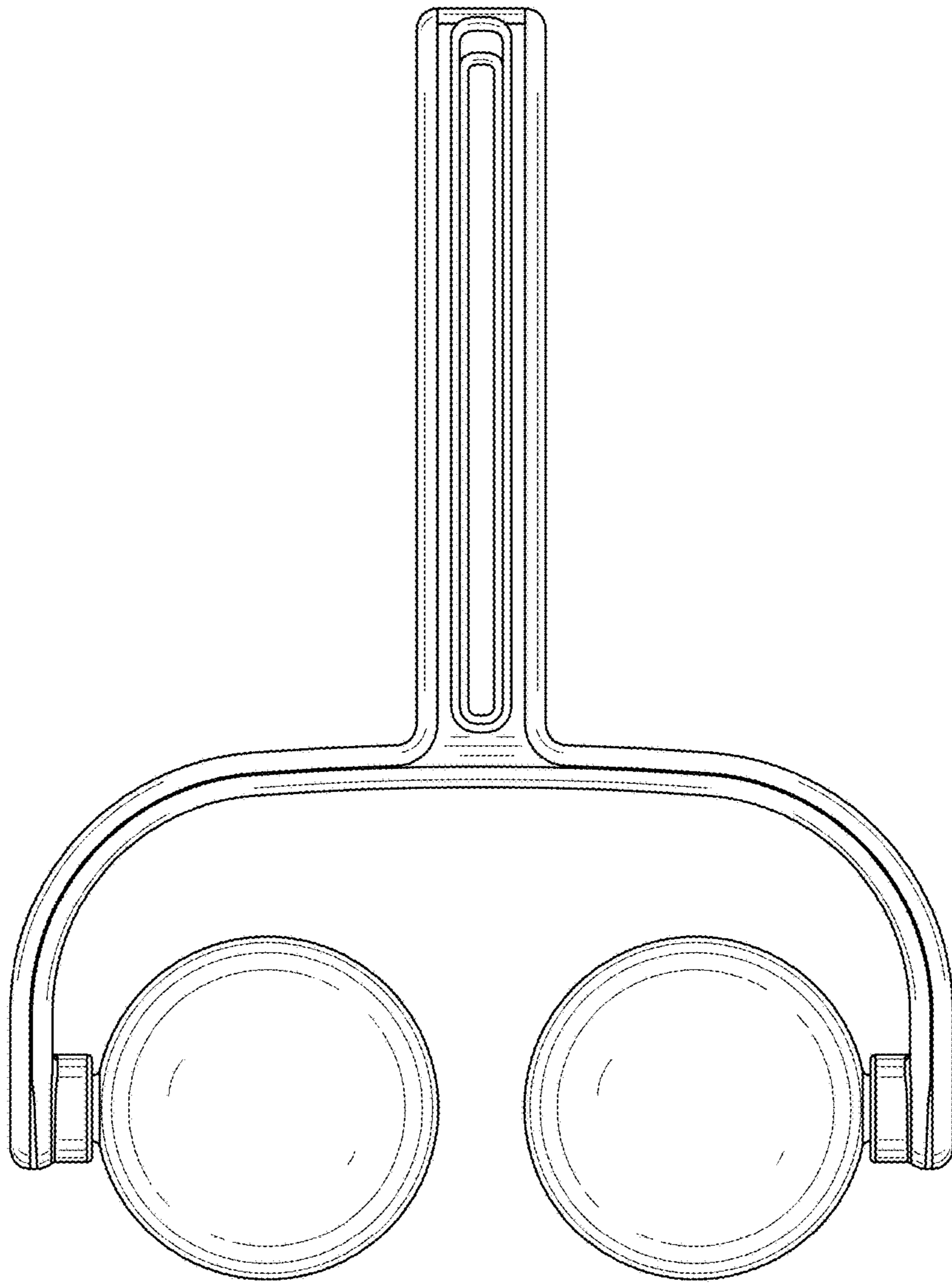


FIG. 5

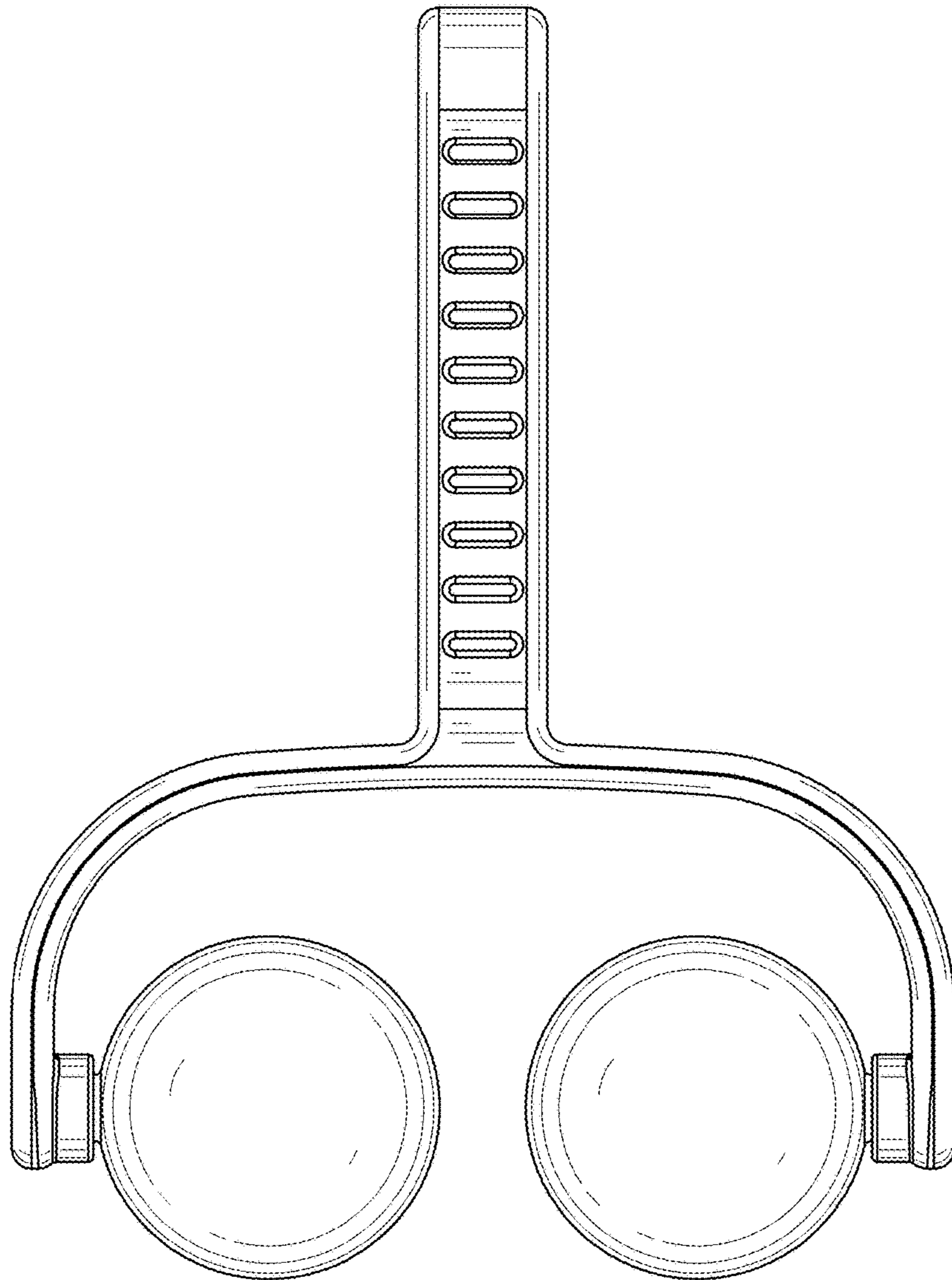


FIG. 6



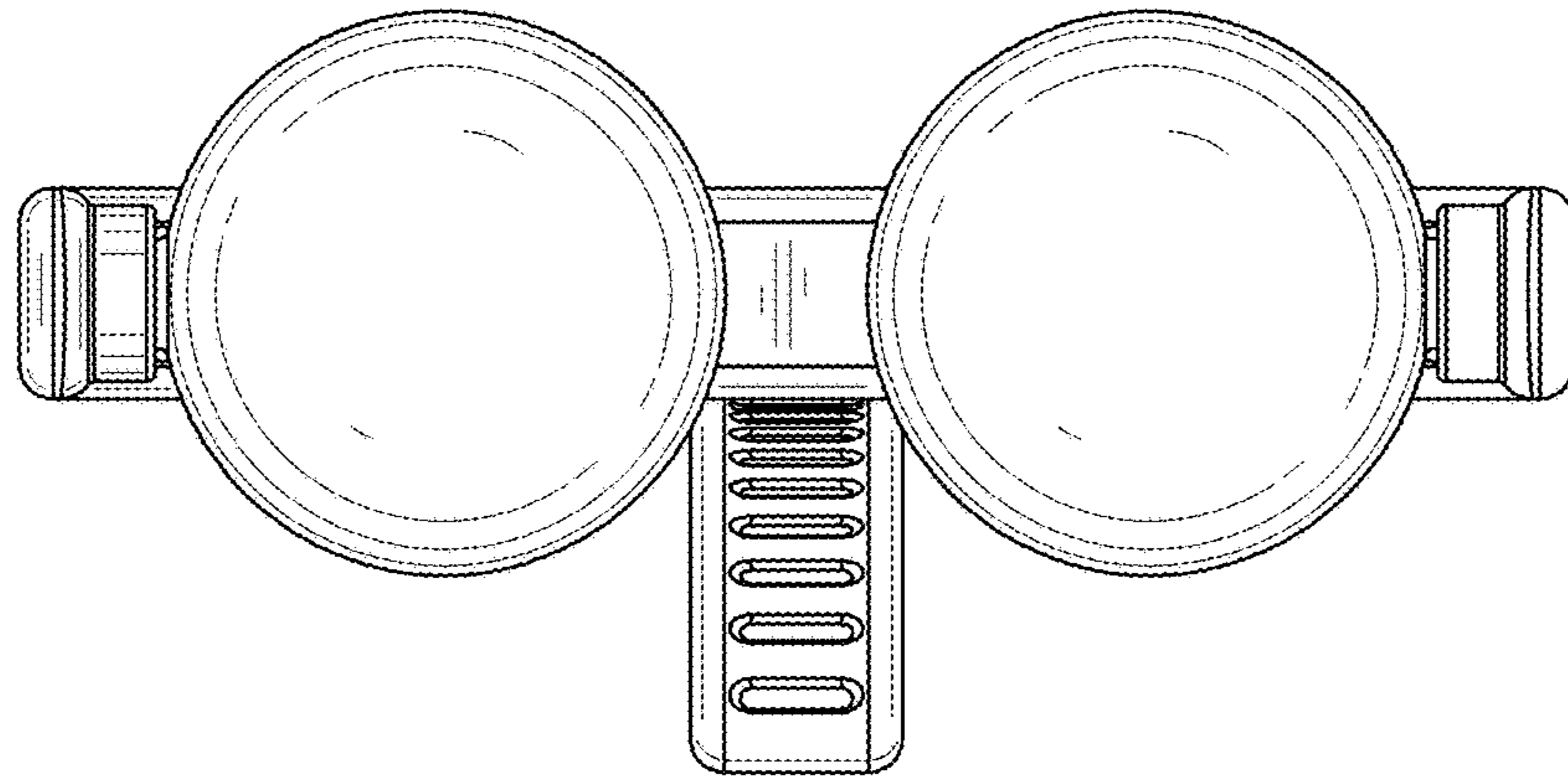


FIG. 7

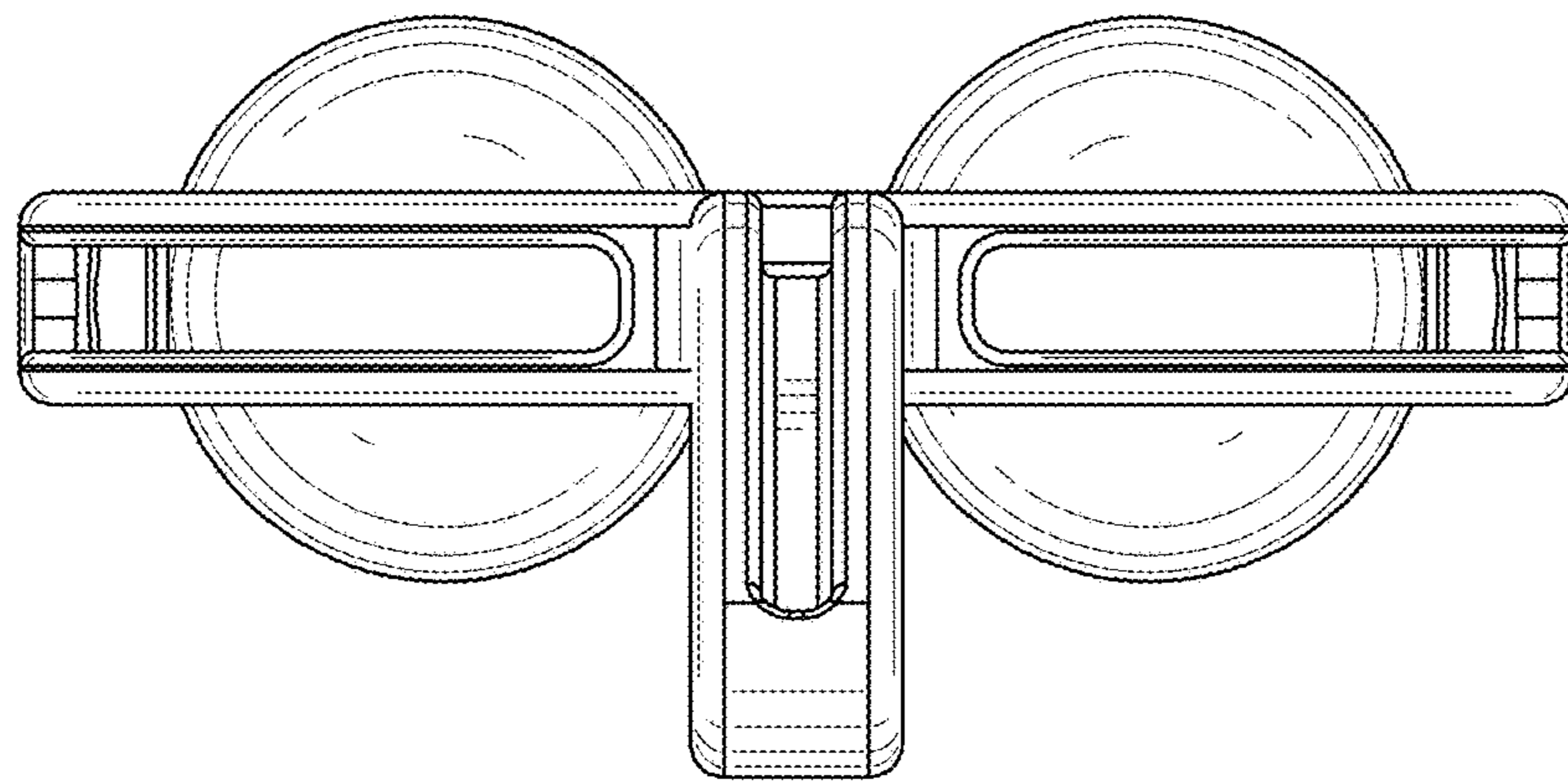


FIG. 8