

US00D848089S

(12) **United States Design Patent** (10) **Patent No.:** **US D848,089 S**
Cunniff (45) **Date of Patent:** **** May 7, 2019**

(54) **PET MASSAGER**
(71) Applicant: **Massage For Pets LLC**, New York, NY (US)
(72) Inventor: **Kyle Cunniff**, Alamosa, CO (US)
(73) Assignee: **Massage For Pets LLC**, New York, NY (US)
(**) Term: **15 Years**
(21) Appl. No.: **29/625,353**
(22) Filed: **Nov. 9, 2017**
(51) **LOC (11) Cl.** **30-99**
(52) **U.S. Cl.**
USPC **D30/199; D30/158**
(58) **Field of Classification Search**
USPC D30/158, 160, 199; D24/200, 209, D24/211-215; 601/125-132, 113, 118, 601/133, 135, 134, 137, 136; 607/96; 606/180
CPC A01K 13/00; A01K 29/00; A61H 15/00; A61H 15/0085; A61H 15/0092; A61H 15/02; A61H 2015/0042; A61H 2015/005; A61H 2015/0057; A61H 2015/0064; A61H 23/0263
See application file for complete search history.

D384,157 S * 9/1997 Kusnets D24/211
5,836,901 A * 11/1998 Shenkal A61H 7/003
601/135
D405,886 S * 2/1999 Haynes D24/211
D408,924 S * 4/1999 Chen D24/211
D422,084 S * 3/2000 Mickelson D24/211
6,241,694 B1 * 6/2001 Goulding-Thompson
A61H 7/001
601/134
D473,657 S * 4/2003 Lewis-Jonsson D24/211
D542,926 S * 5/2007 Louis D24/214
D556,913 S * 12/2007 Laituri D24/214
D558,886 S * 1/2008 Chen D24/214
D582,563 S * 12/2008 Ferber D24/214
D627,897 S * 11/2010 Yde D24/214
D630,760 S * 1/2011 Imboden D24/211
D665,915 S * 8/2012 Ma D24/215
D705,425 S * 5/2014 Boone, III D24/147
D729,940 S * 5/2015 Zeng D24/215
D740,432 S * 10/2015 Wu D24/211
D763,462 S * 8/2016 Piccirillo A61H 7/004
D24/215

(Continued)

Primary Examiner — Susan Moon Lee
(74) *Attorney, Agent, or Firm* — Kirschstein, Israel, Schiffmiller & Pieroni, P.C.

(57) **CLAIM**

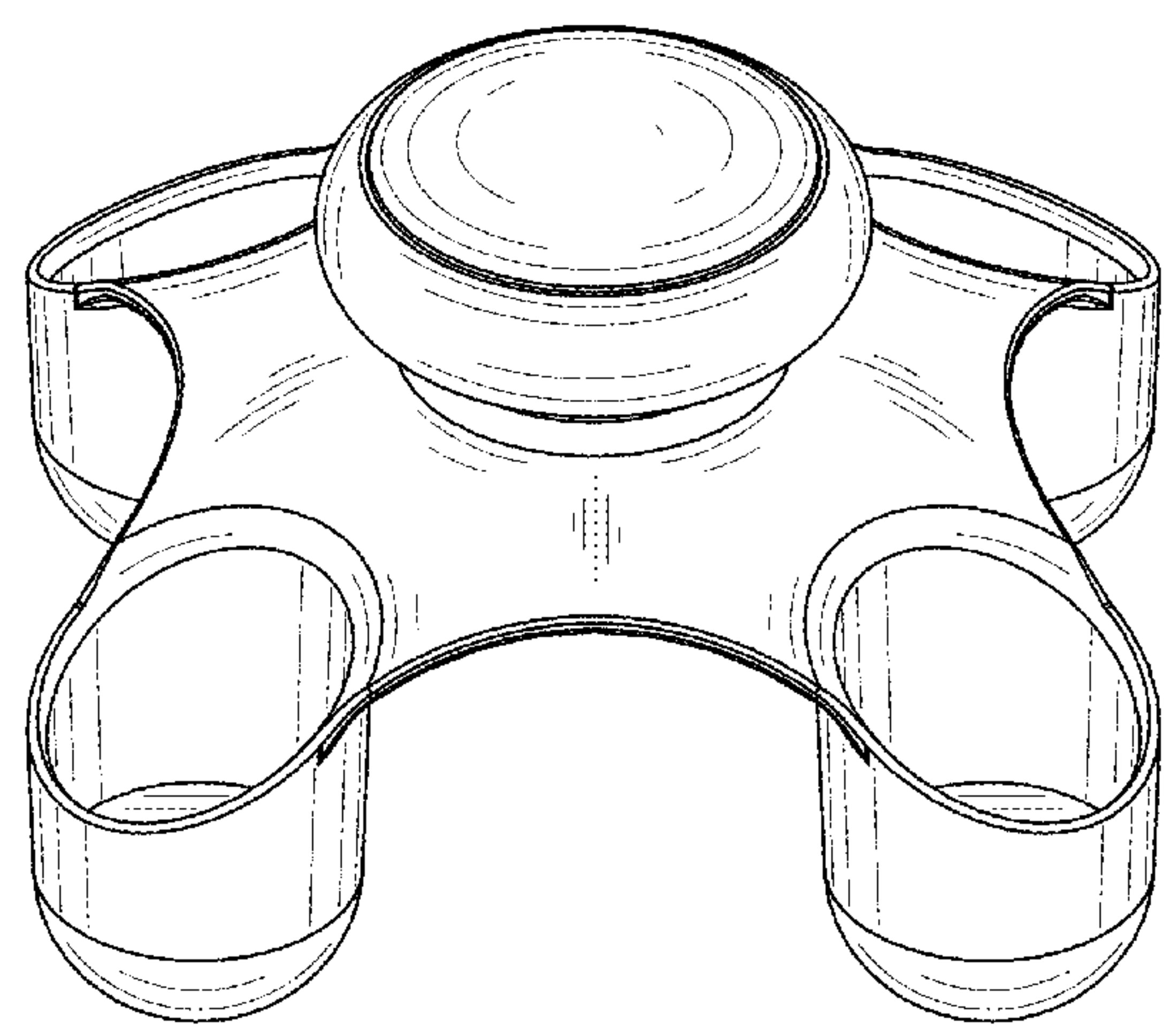
The ornamental design for a pet massager, as shown.

DESCRIPTION

FIG. 1 is a perspective view of a pet massager as seen from above according to my new design.
FIG. 2 is a perspective view thereof as seen from below.
FIG. 3 is a right side elevational view thereof.
FIG. 4 is a left side elevational view thereof.
FIG. 5 is a front elevational view thereof.
FIG. 6 is a rear elevational view thereof.
FIG. 7 is a top plan view thereof; and,
FIG. 8 is a bottom plan view thereof.

1 Claim, 6 Drawing Sheets

(56) **References Cited**
U.S. PATENT DOCUMENTS
2,633,844 A * 4/1953 Herndon A61H 15/0092
601/128
3,060,928 A * 10/1962 Lowe A61H 15/0092
601/128
D269,376 S * 6/1983 Nakao D24/211
D280,664 S * 9/1985 Ishida D24/211
D372,313 S * 7/1996 McMillan D24/211
D376,015 S * 11/1996 Newberry D24/211
D382,971 S * 8/1997 Haldi D24/211



(56)

References Cited

U.S. PATENT DOCUMENTS

D785,193 S * 4/2017 Cole D24/200

* cited by examiner

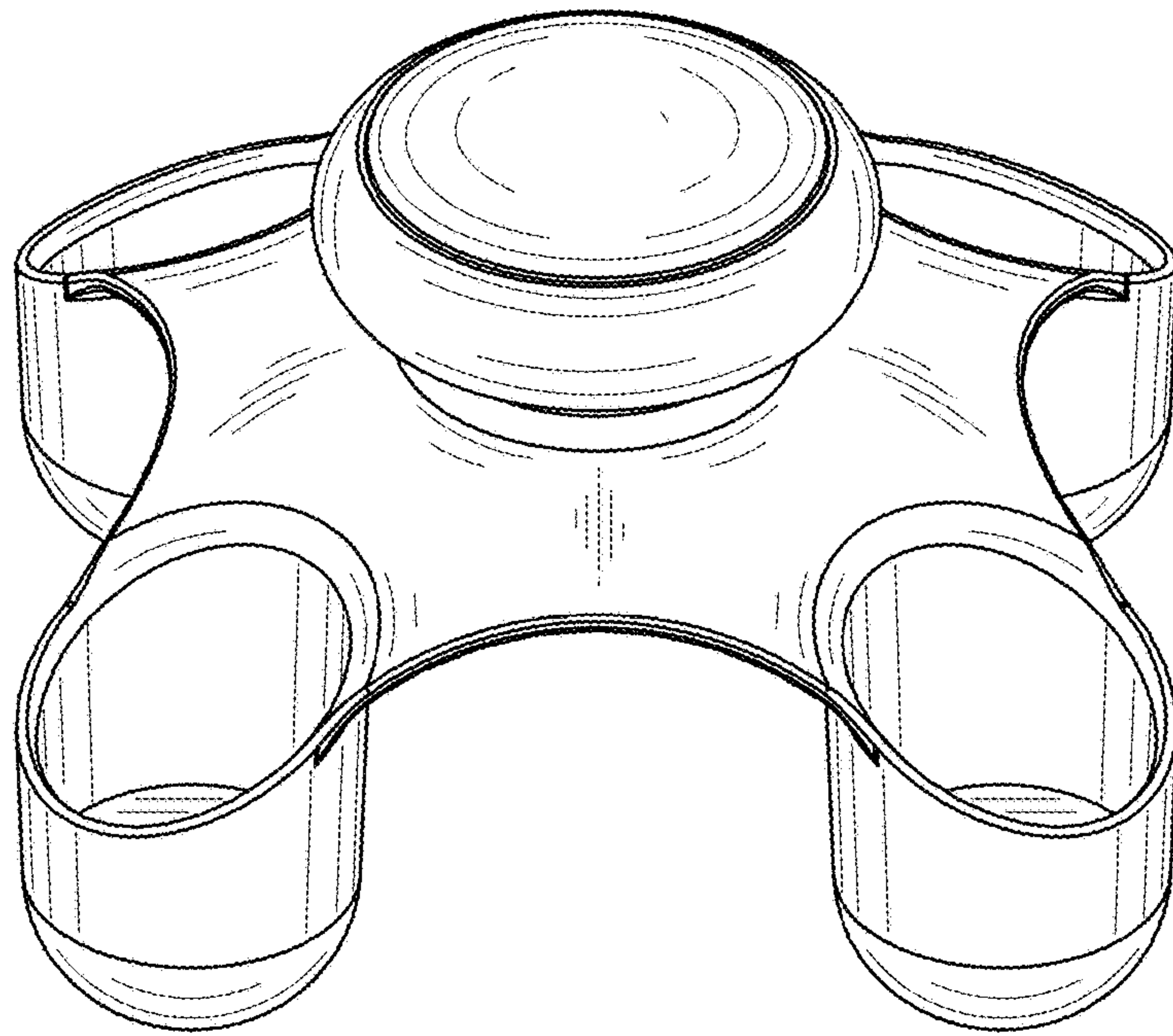


FIG. 1

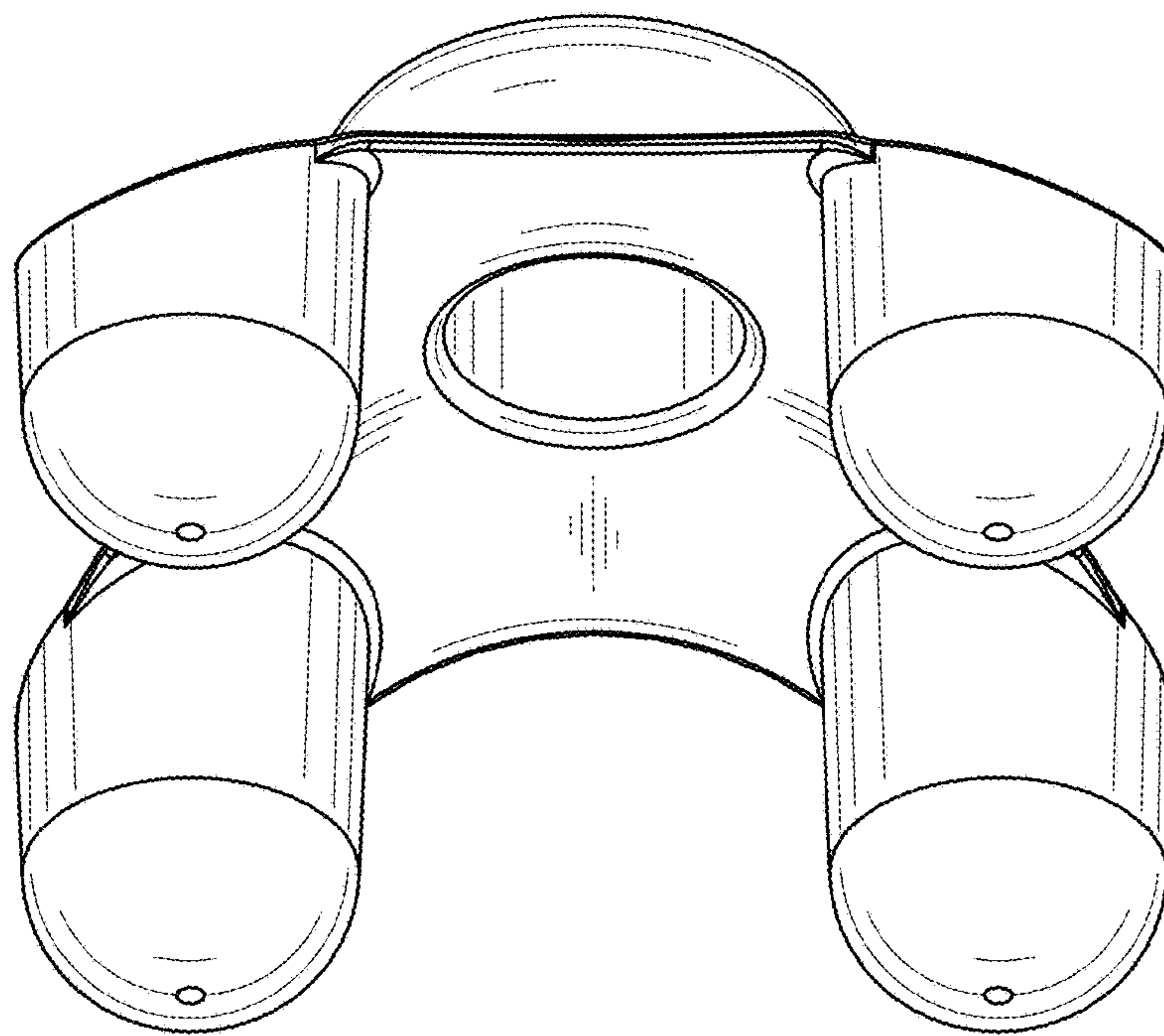


FIG. 2

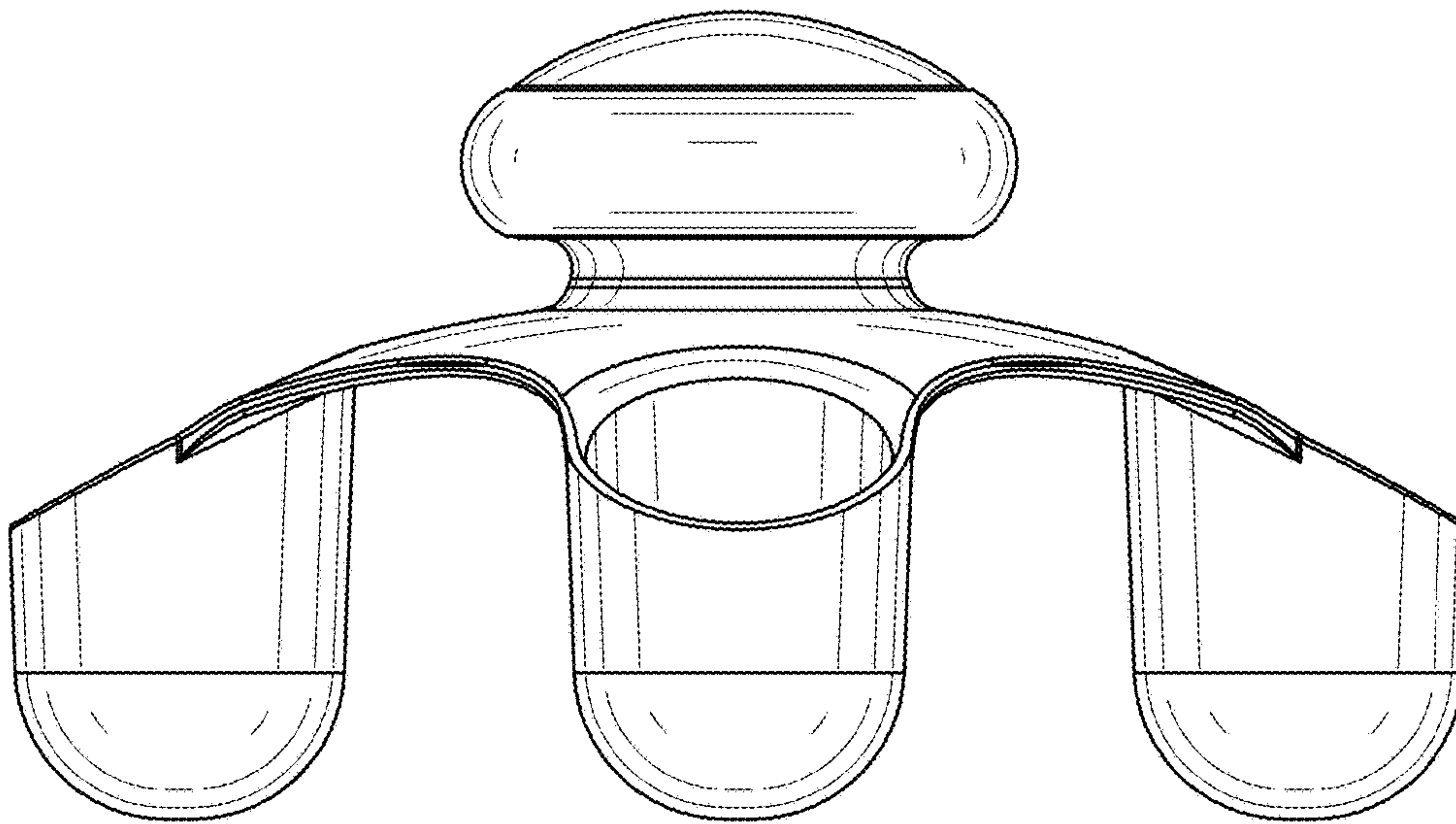


FIG. 3

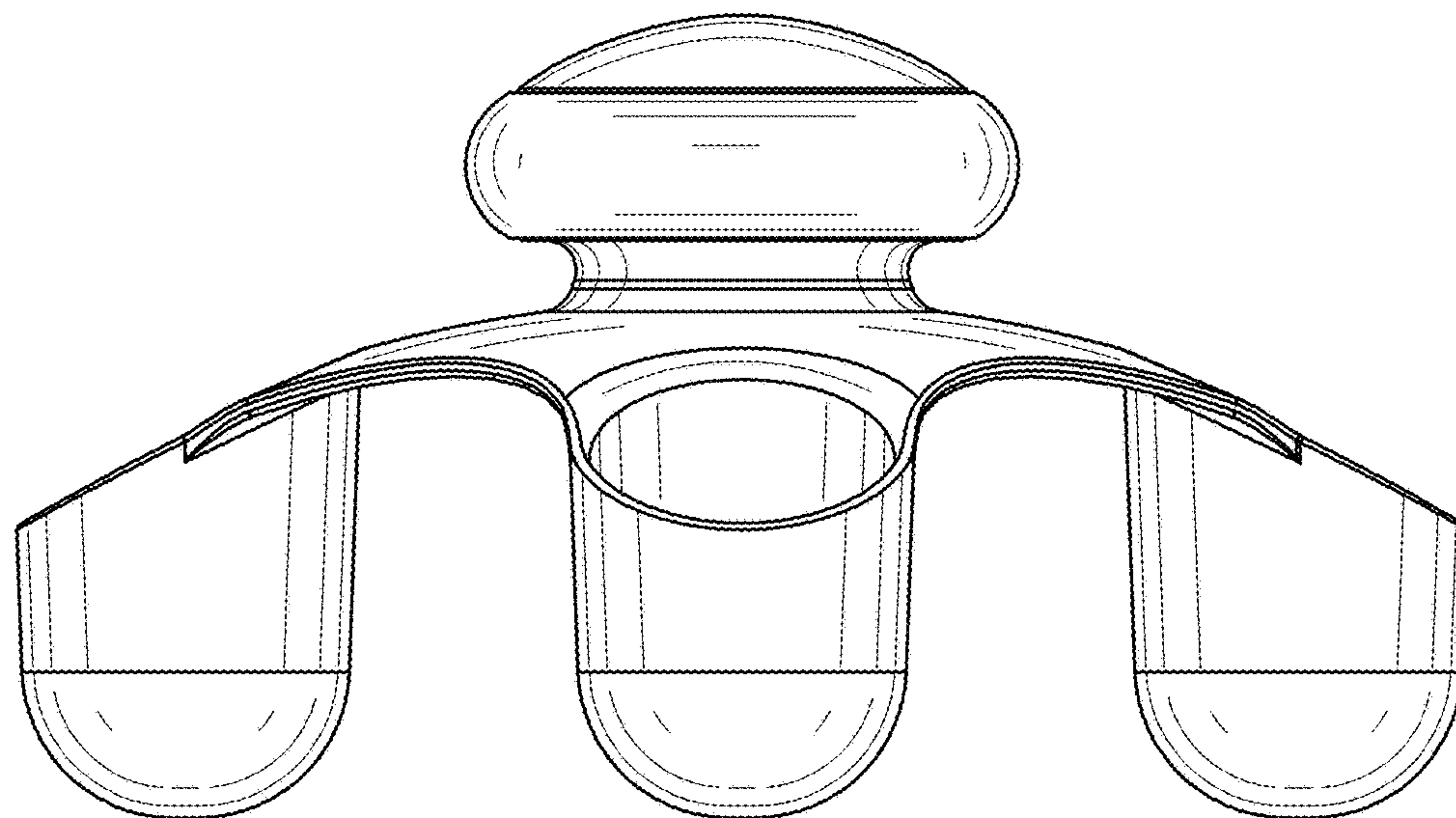


FIG. 4

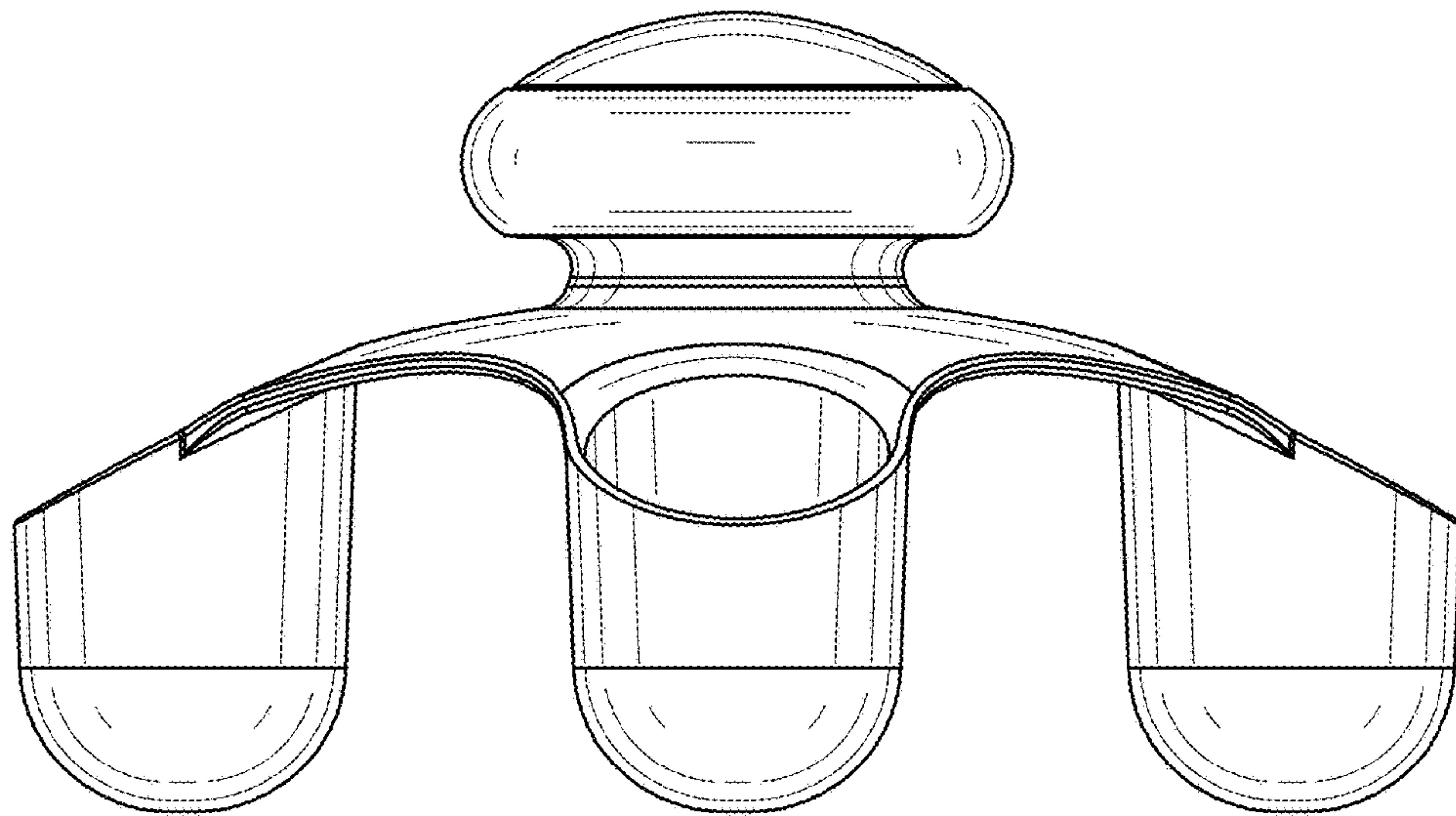


FIG. 5

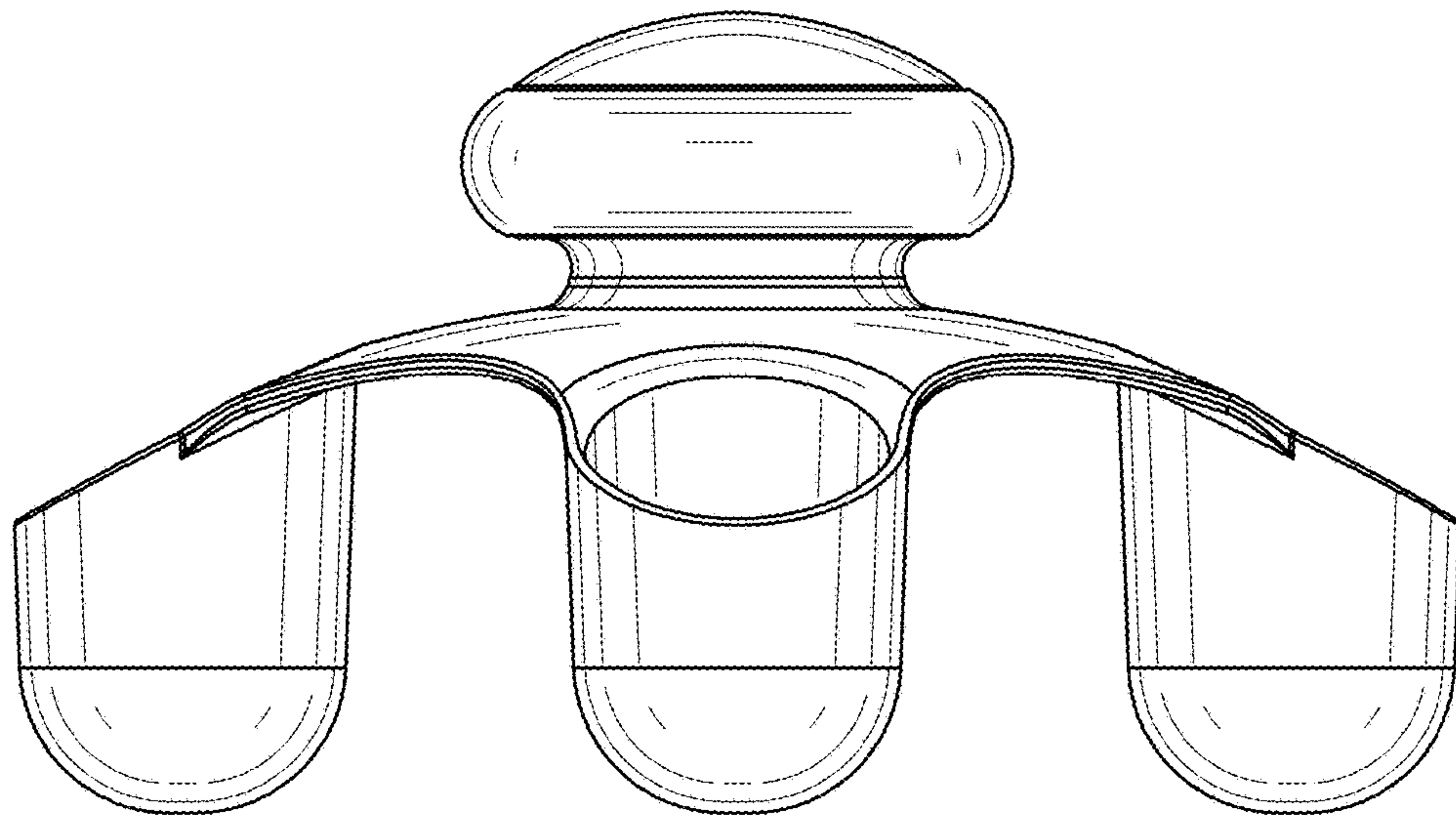


FIG. 6

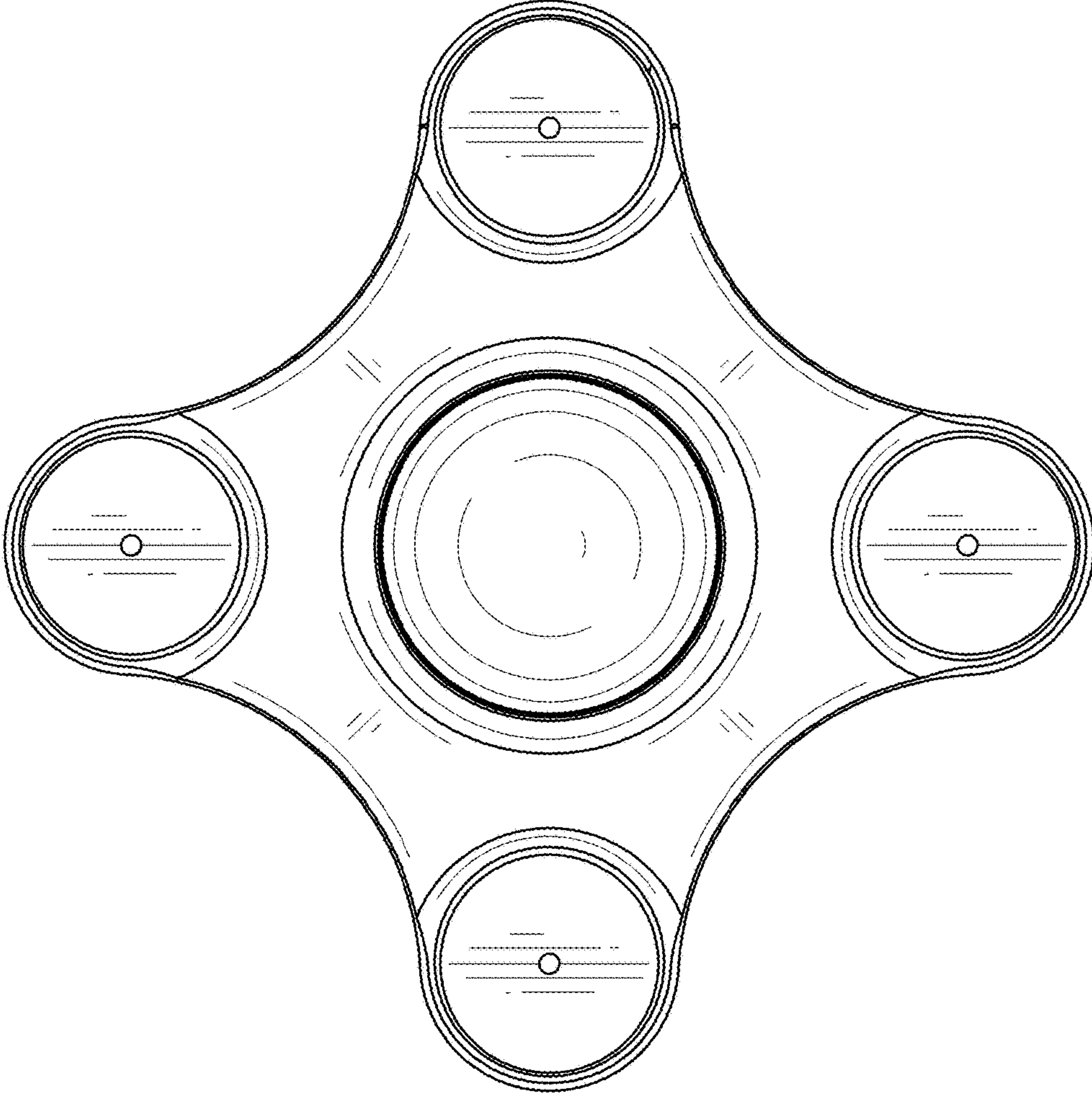


FIG. 7

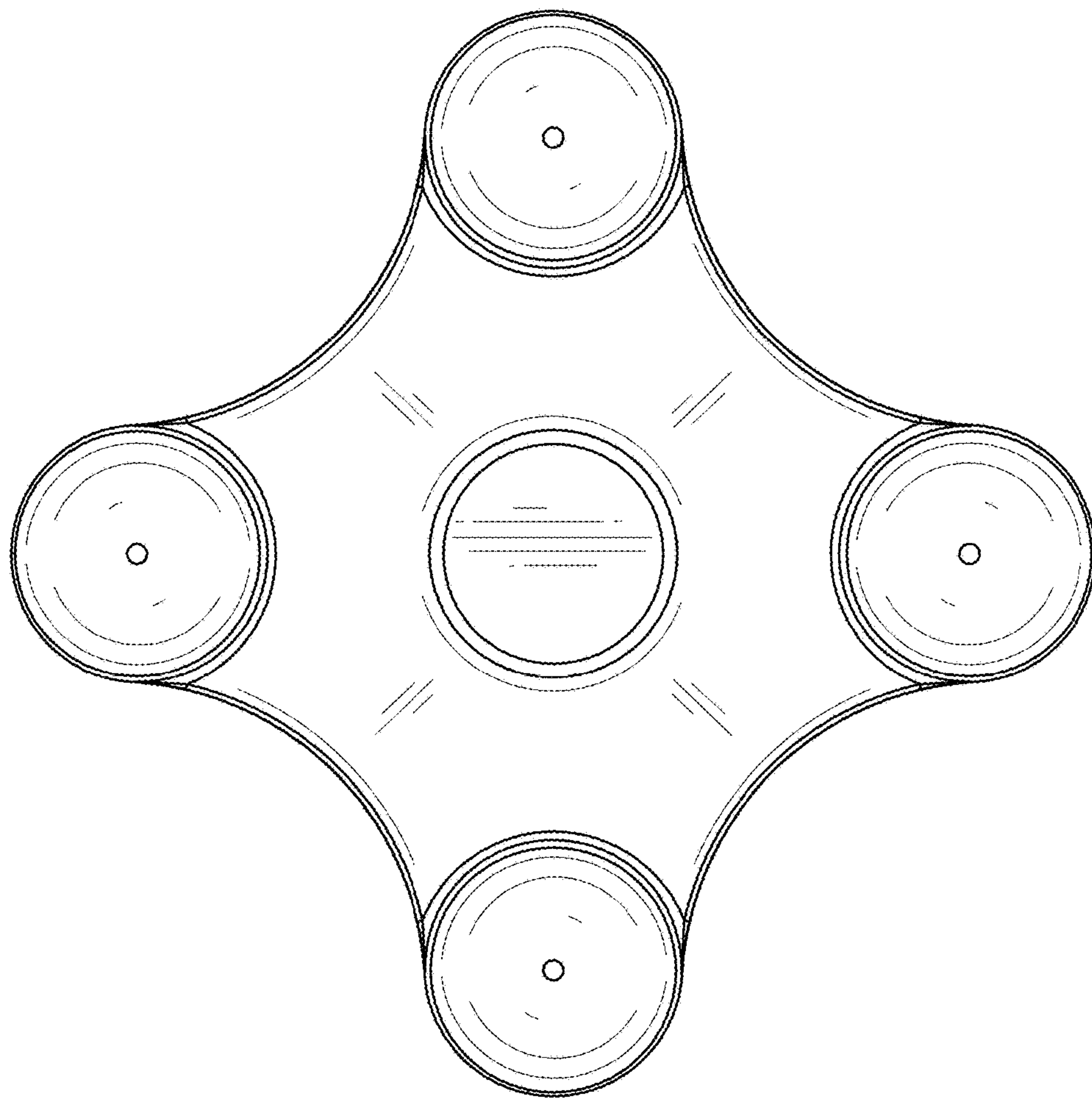


FIG. 8