



US00D848088S

(12) **United States Design Patent**
Cunniff

(10) **Patent No.:** **US D848,088 S**

(45) **Date of Patent:** **** May 7, 2019**

- (54) **PET MASSAGER**
- (71) Applicant: **Massage For Pets LLC**, New York, NY (US)
- (72) Inventor: **Kyle Cunniff**, Alamosa, CO (US)
- (73) Assignee: **Massage For Pets LLC**, New York, NY (US)
- (**) Term: **15 Years**
- (21) Appl. No.: **29/625,352**
- (22) Filed: **Nov. 9, 2017**
- (51) **LOC (11) Cl.** **30-99**
- (52) **U.S. Cl.**
USPC **D30/199; D30/158**
- (58) **Field of Classification Search**
USPC D30/158, 160, 199; D24/200, 209, D24/211-215; 601/125-132, 113, 118, 601/133, 135, 134, 137, 136; 607/96; 606/180
CPC A01K 13/00; A01K 29/00; A61H 15/00; A61H 15/0085; A61H 15/0092; A61H 15/02; A61H 2015/0042; A61H 2015/005; A61H 2015/0057; A61H 2015/0064; A61H 23/0263
See application file for complete search history.

- 4,989,585 A * 2/1991 Auker A61H 15/0092
601/118
- D349,576 S * 8/1994 Heiligenstein D24/200
- D349,771 S * 8/1994 Heiligenstein D24/200
- D359,360 S * 6/1995 Ivy D24/211
- D391,645 S * 3/1998 Chien D24/211
- D410,549 S * 6/1999 Chen D24/211
- D415,569 S * 10/1999 Wyrwa D24/211
- D422,364 S * 4/2000 Van Dyk D24/211
- D445,196 S * 7/2001 Gladieux, III D24/211
- D445,508 S * 7/2001 Gladieux, III D24/211
- D479,607 S * 9/2003 Chen D24/211
- D484,608 S * 12/2003 Tinsley D24/214
- D492,037 S * 6/2004 Chien D24/211
- 7,169,120 B2 * 1/2007 Murdock A61H 15/0092
601/129
- 7,699,794 B2 * 4/2010 Meyer A61H 7/005
601/15
- 8,382,727 B1 * 2/2013 Martin A45D 34/041
401/220
- D677,391 S * 3/2013 Bickford D24/211
- D678,541 S * 3/2013 Bickford D24/211

(Continued)

Primary Examiner — Susan Moon Lee
(74) *Attorney, Agent, or Firm* — Kirschstein, Israel, Schiffmiller & Pieroni, P.C.

(57) **CLAIM**

The ornamental design for a pet massager, as shown.

DESCRIPTION

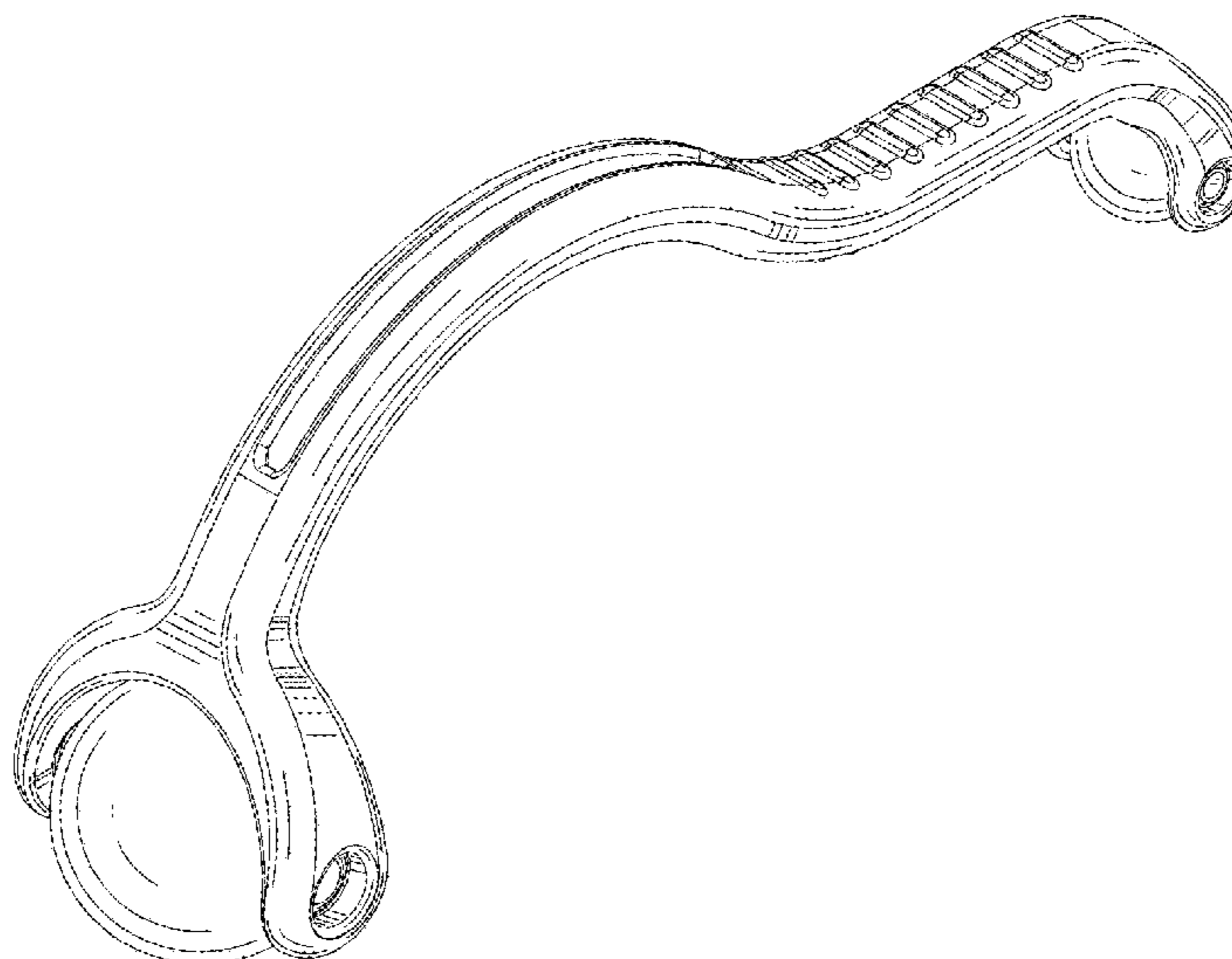
FIG. 1 is a perspective view of a pet massager as seen from above according to my new design.
FIG. 2 is a perspective view thereof as seen from below.
FIG. 3 is a right side elevational view thereof.
FIG. 4 is a left side elevational view thereof.
FIG. 5 is a top plan view thereof.
FIG. 6 is a bottom plan view thereof.
FIG. 7 is a front elevational view thereof; and,
FIG. 8 is a rear elevational view thereof.

1 Claim, 6 Drawing Sheets

(56) **References Cited**

U.S. PATENT DOCUMENTS

- 693,064 A * 2/1902 Proben et al. A61H 15/0092
601/129
- 1,657,974 A * 1/1928 Scoggin A61H 15/0085
601/129
- 1,748,762 A * 2/1930 Gilbert A61H 15/0092
601/129
- D185,246 S * 5/1959 Taran 601/119
- D262,490 S * 12/1981 Hewitt D24/211



(56)

References Cited

U.S. PATENT DOCUMENTS

D678,542 S * 3/2013 Bickford D24/211
D719,664 S * 12/2014 Rifting D24/211
D738,520 S * 9/2015 Lv D24/211
D766,454 S * 9/2016 Higgins D24/214
D828,010 S * 9/2018 Hawley D3/18
D829,919 S * 10/2018 Davis D24/211
2003/0100936 A1 * 5/2003 Altshuler A46B 15/0036
607/96
2004/0015110 A1 * 1/2004 Chen A61H 15/0092
601/125
2008/0154161 A1 * 6/2008 Abbott A61H 15/0092
601/113
2008/0161735 A1 * 7/2008 Lee A61H 15/0092
601/125
2010/0292723 A1 * 11/2010 Lee A61H 15/0092
606/180
2013/0048011 A1 * 2/2013 Bickford A45D 34/041
132/320
2013/0226052 A1 * 8/2013 Niggemann A61H 7/007
601/118
2014/0228723 A1 * 8/2014 Cockerill A61H 15/0092
601/128
2018/0161234 A1 * 6/2018 Dominee A61H 15/00

* cited by examiner

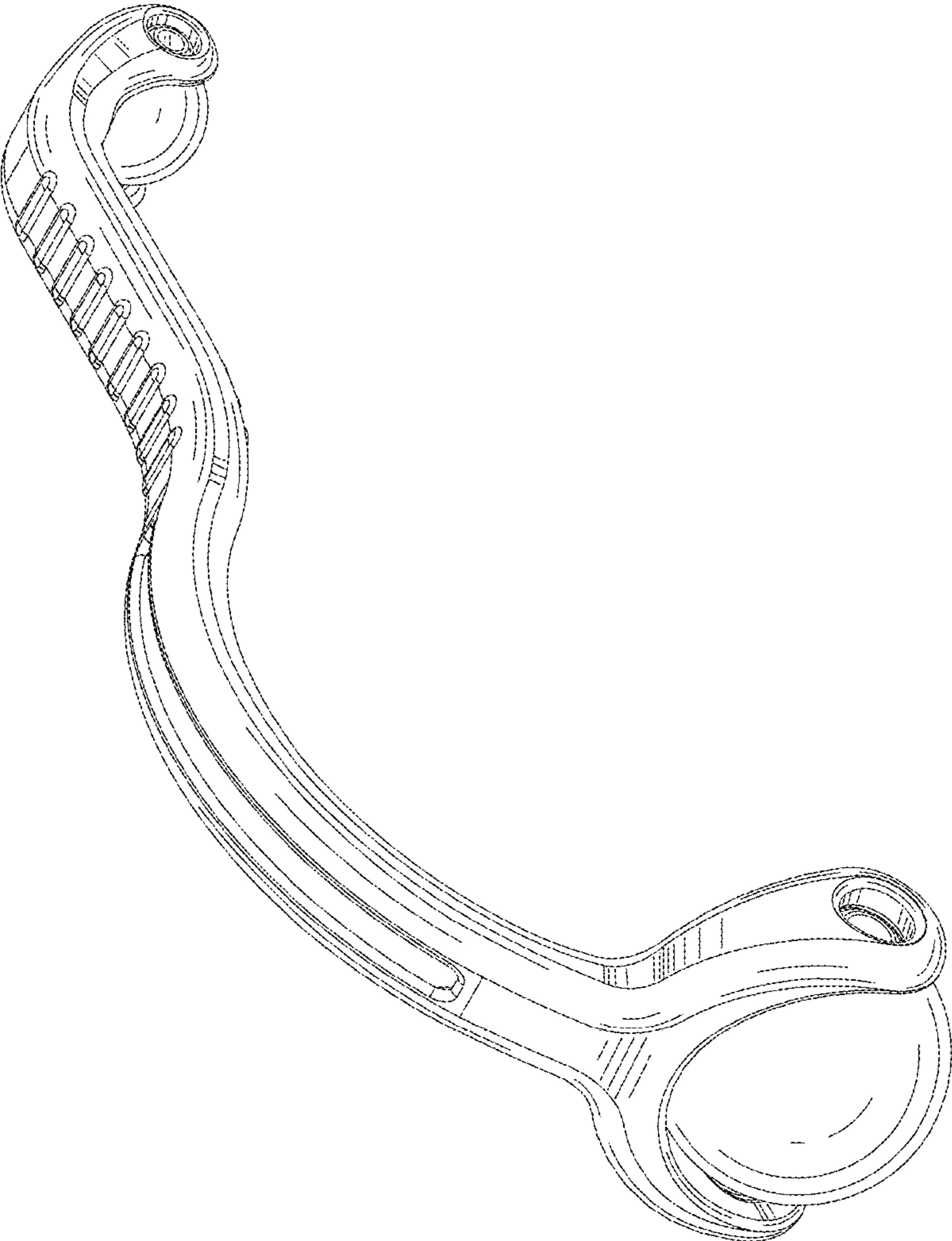


FIG. 1

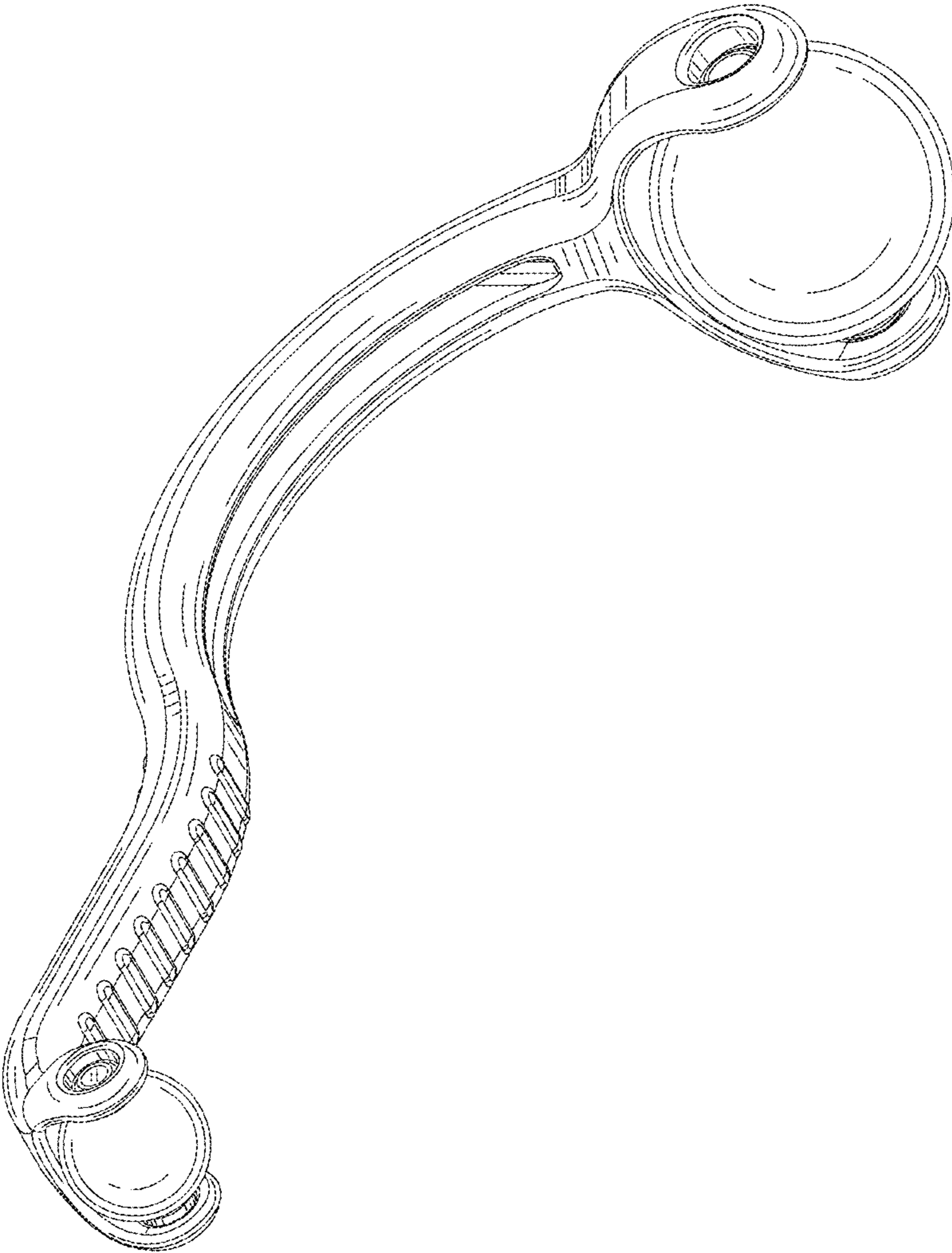


FIG. 2

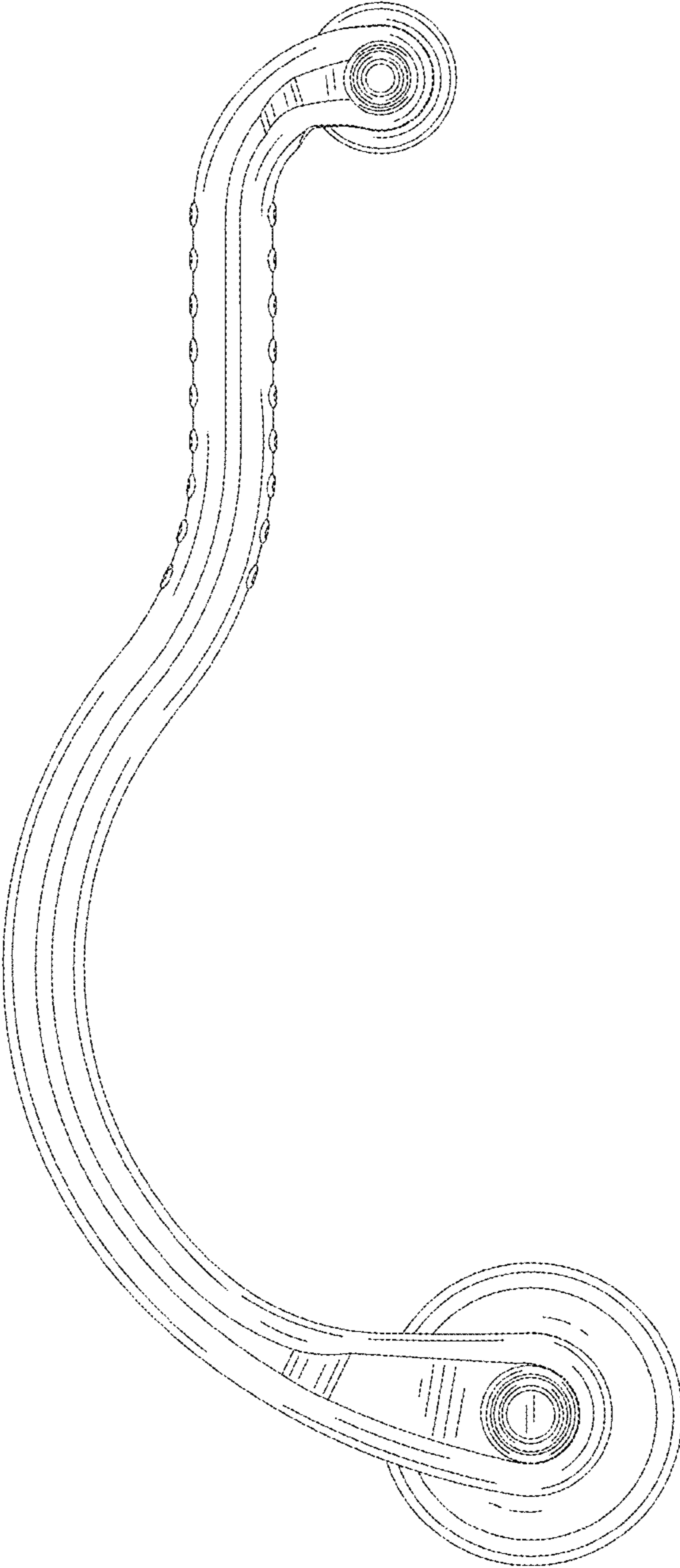


FIG. 3

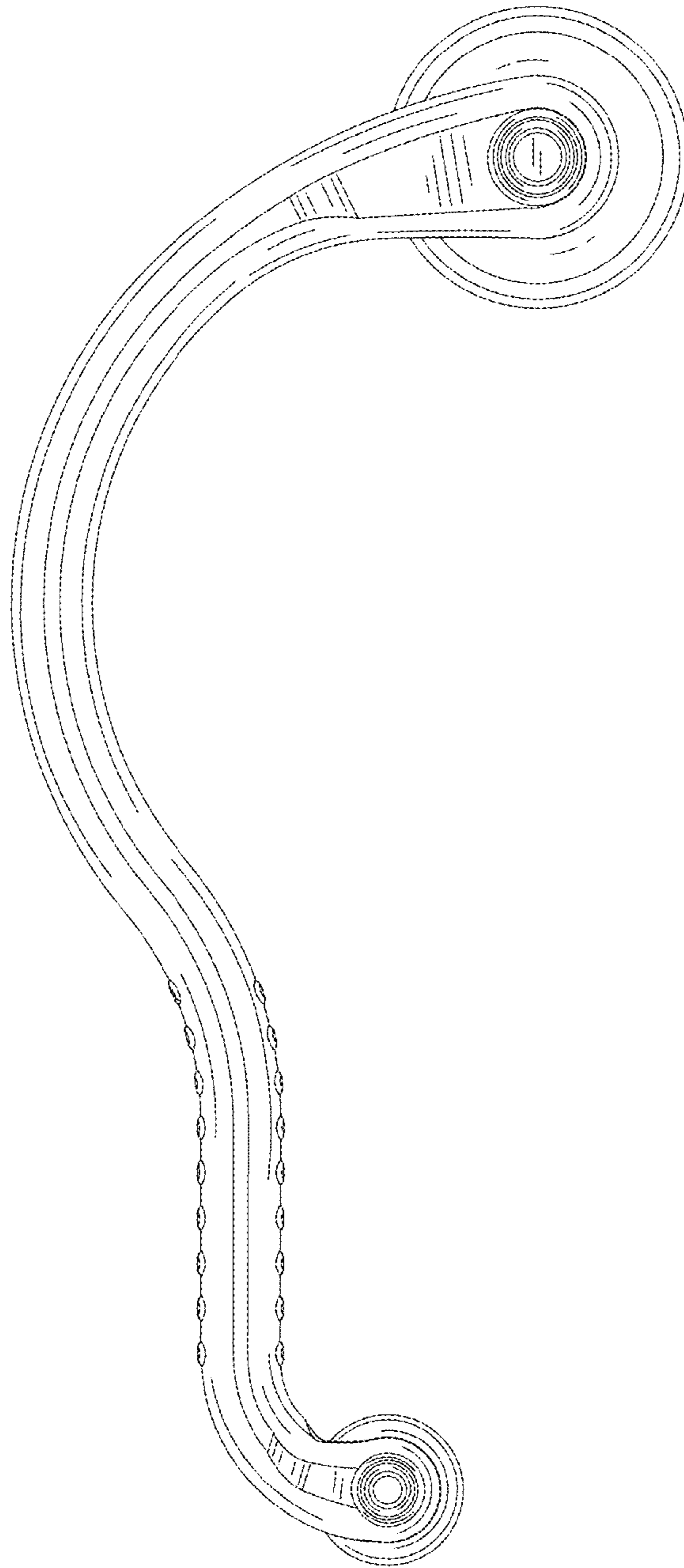


FIG. 4

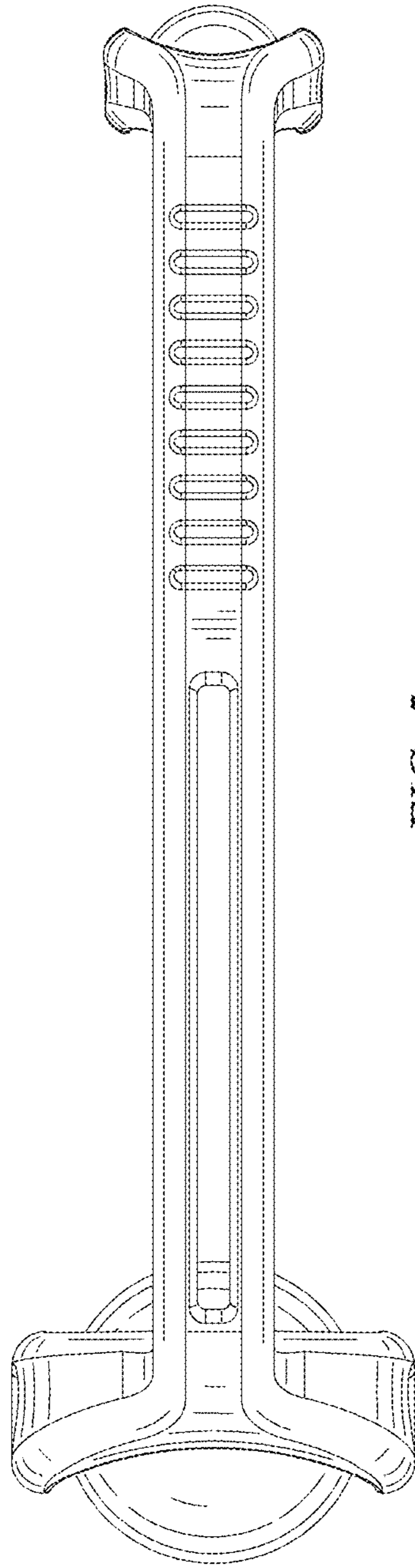


FIG. 5

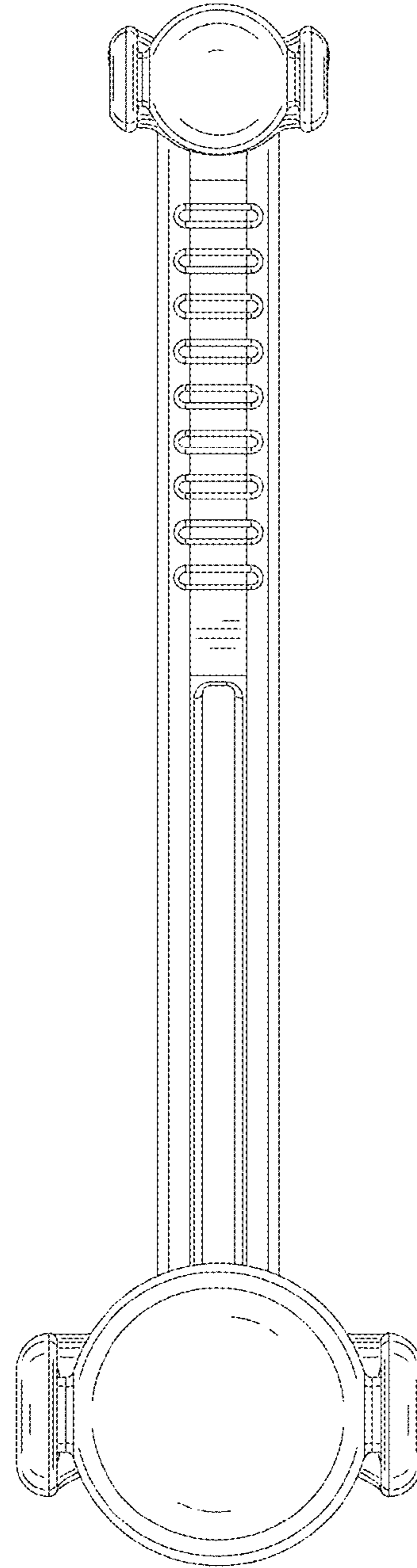


FIG. 6

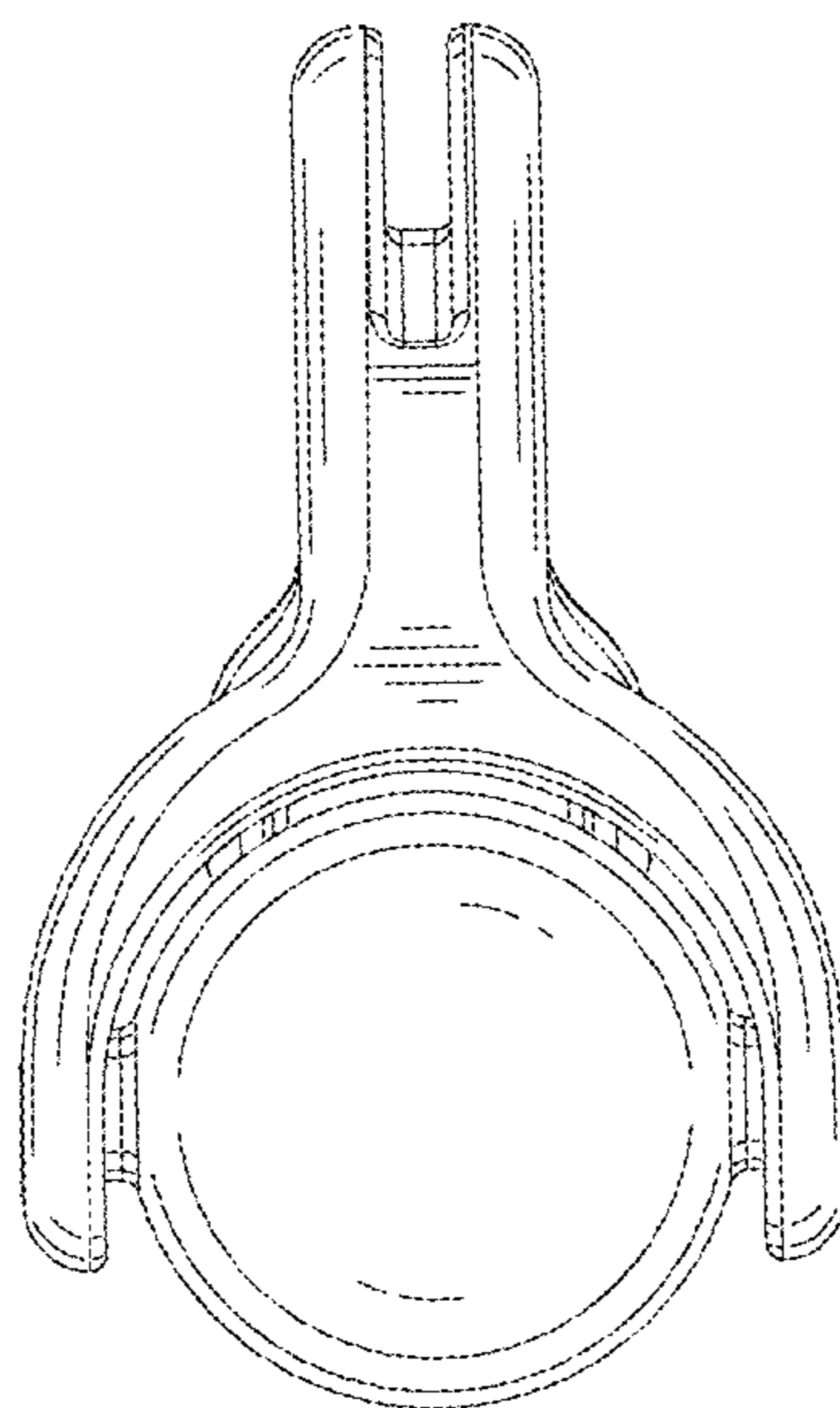


FIG. 7

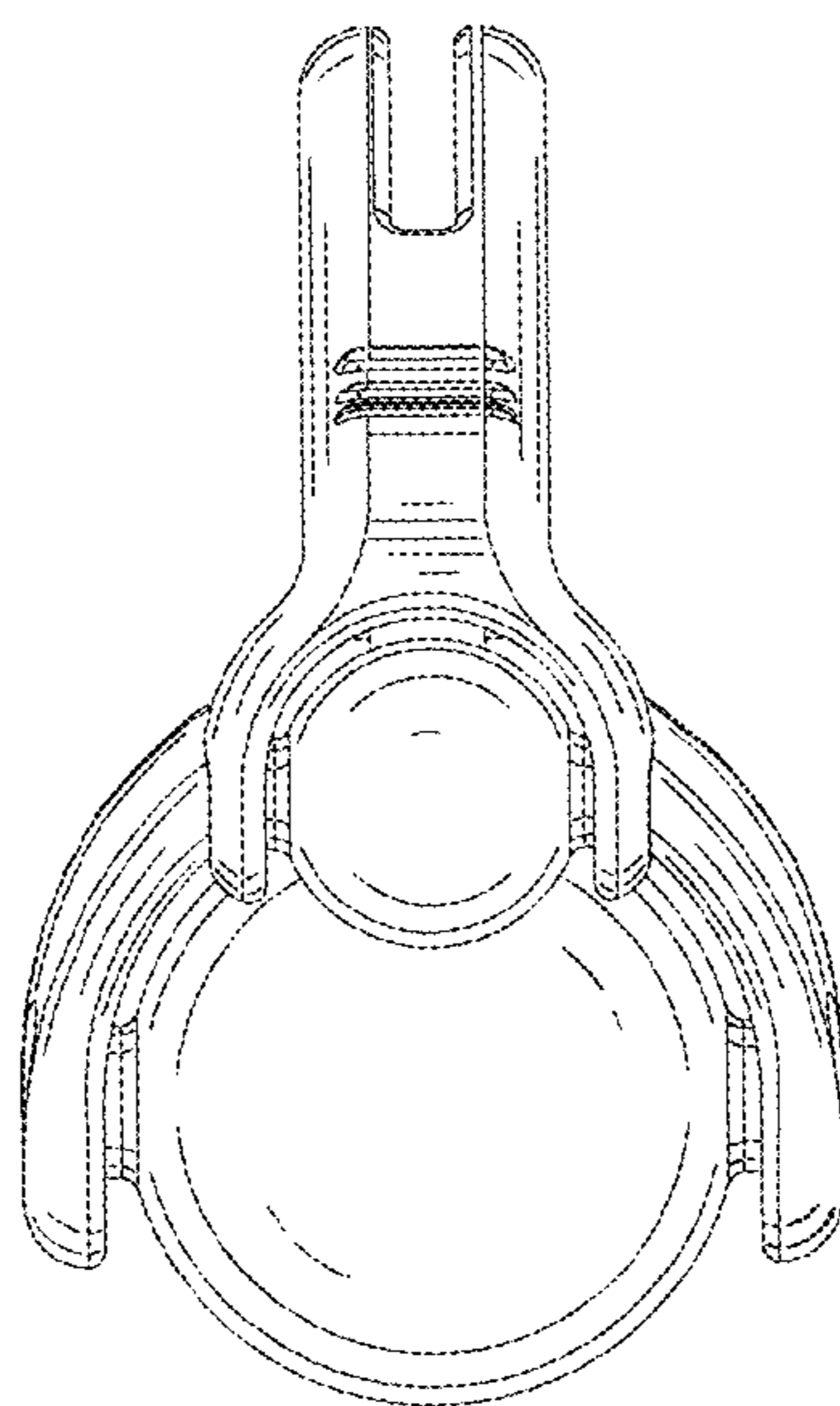


FIG. 8