



US00D848087S

(12) **United States Design Patent** (10) **Patent No.:** **US D848,087 S**
Ramirez (45) **Date of Patent:** **** May 7, 2019**

(54) **ANIMAL TOY**

(56) **References Cited**

(71) Applicant: **Nicola Ramirez**, Buckinghamshire (GB)

U.S. PATENT DOCUMENTS

(72) Inventor: **Nicola Ramirez**, Buckinghamshire (GB)

D396,253	S	*	7/1998	Beecher	D21/406
D490,157	S	*	5/2004	Listenberger	D24/193
D636,884	S	*	4/2011	Roehrig	D24/194
D659,253	S	*	5/2012	Valderrama	D24/194
D674,494	S	*	1/2013	Roehrig	D24/194
D697,274	S	*	1/2014	Thorne	D24/194
D719,268	S	*	12/2014	Recht	D24/194
D721,439	S	*	1/2015	Swartz	D24/194
D739,034	S	*	9/2015	Lee	D24/195
9,480,626	B2	*	11/2016	Rohrig	A61J 17/02
2005/0004603	A1	*	1/2005	Desousa	A61J 17/02
						606/235
2014/0202396	A1	*	7/2014	Hansen	A01K 15/025
						119/710

(73) Assignee: **Talisker Bay International Ltd.**, Ayrshire (GB)

(**) Term: **15 Years**

(21) Appl. No.: **29/614,707**

(22) Filed: **Aug. 22, 2017**

* cited by examiner

Related U.S. Application Data

Primary Examiner — Cathy Anne MacCormac

(63) Continuation-in-part of application No. 29/523,403, filed on Apr. 9, 2015, now abandoned.

(74) *Attorney, Agent, or Firm* — Bay State IP, LLC

(51) **LOC (11) Cl.** **30-99**

(57) **CLAIM**

(52) **U.S. Cl.**

The ornamental design for an animal toy, as shown and described.

USPC **D30/160**

DESCRIPTION

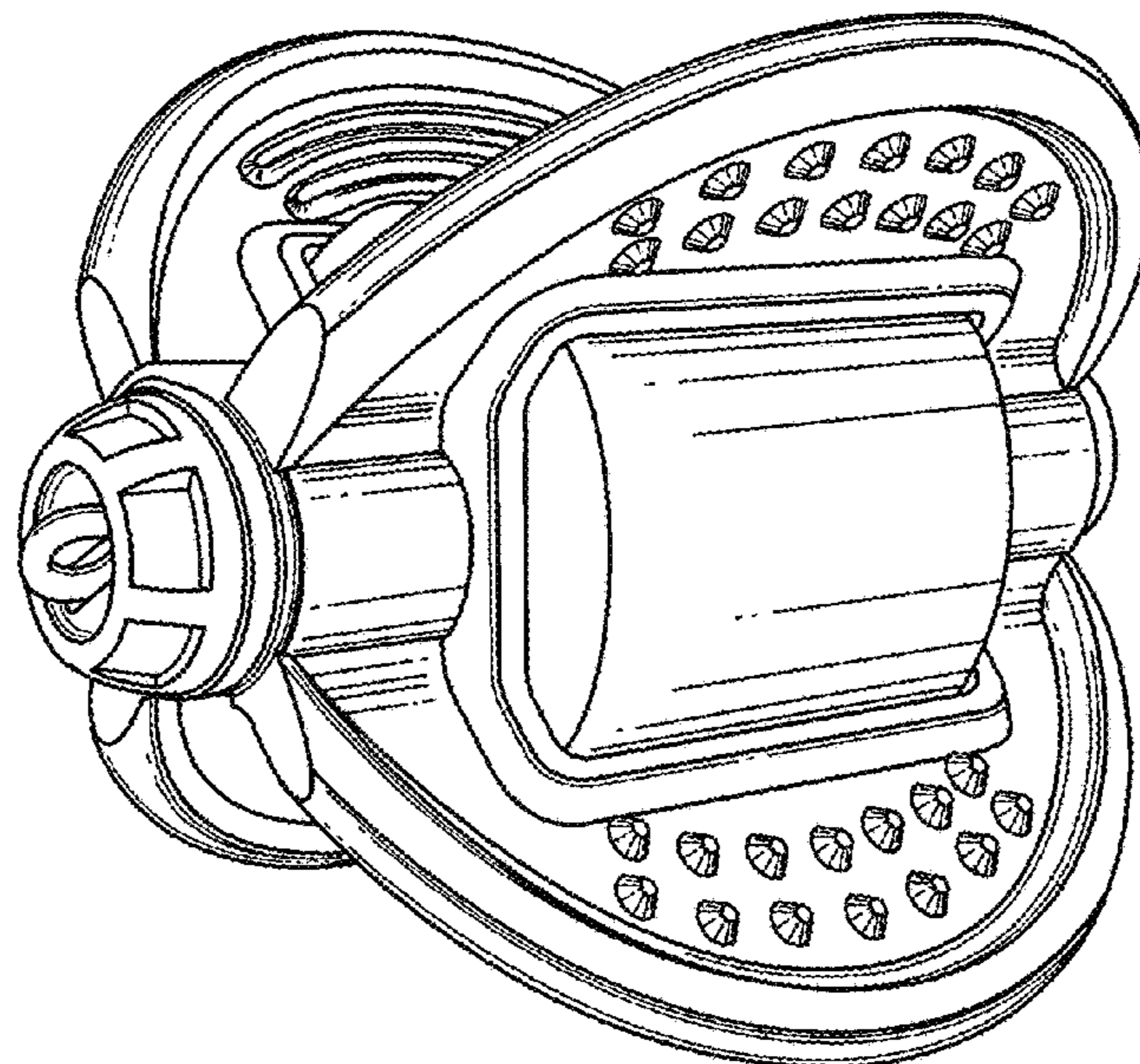
(58) **Field of Classification Search**

USPC D30/160; D21/406, 460; D24/194–195
CPC .. A01K 15/024; A01K 15/025; A01K 15/026;
A01K 15/027; A61J 17/00; A63B 65/00;
A63B 65/02; A63B 67/18; A63B 67/19;
A63B 67/183; A63B 67/187; A63B
43/002; A63B 43/02; A63H 27/005;
A63H 33/18; F42B 6/003

FIG. 1 is a front perspective view showing my new design;
FIG. 2 is a front view;
FIG. 3 is a top view;
FIG. 4 is a back view;
FIG. 5 is a bottom view;
FIG. 6 is a left side view; and,
FIG. 7 is a right side view.

See application file for complete search history.

1 Claim, 4 Drawing Sheets



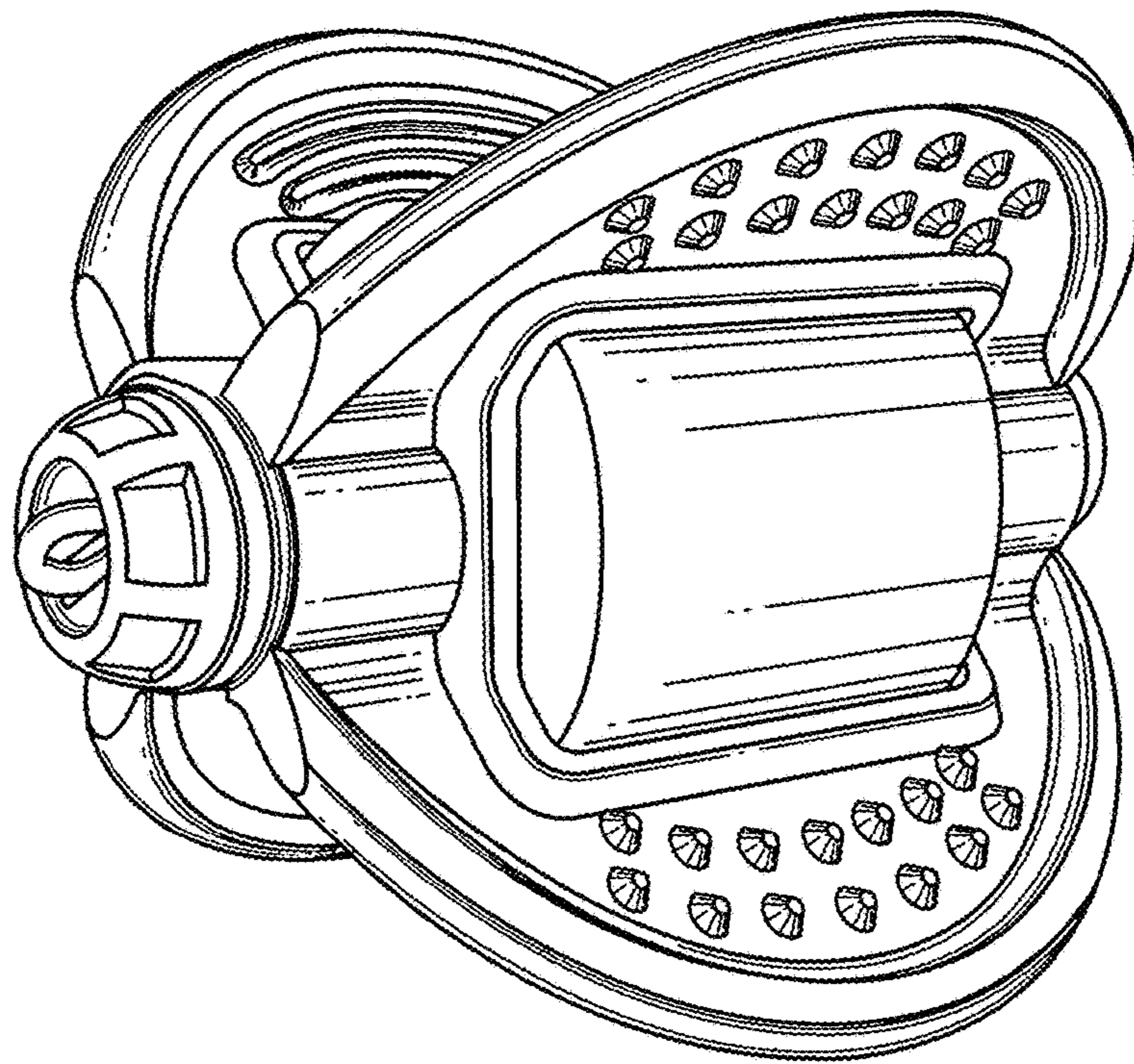


Fig. 1

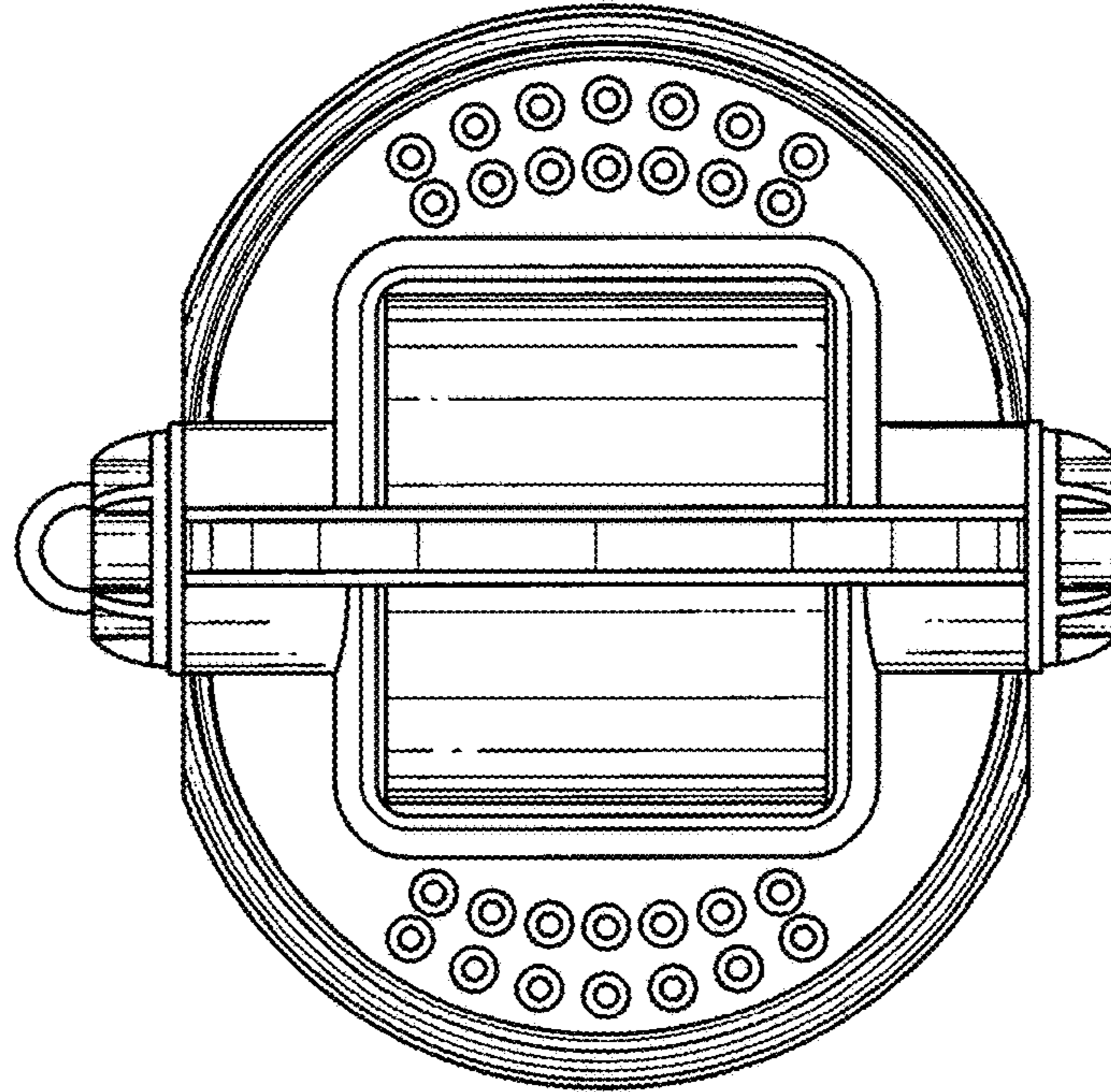


Fig. 2

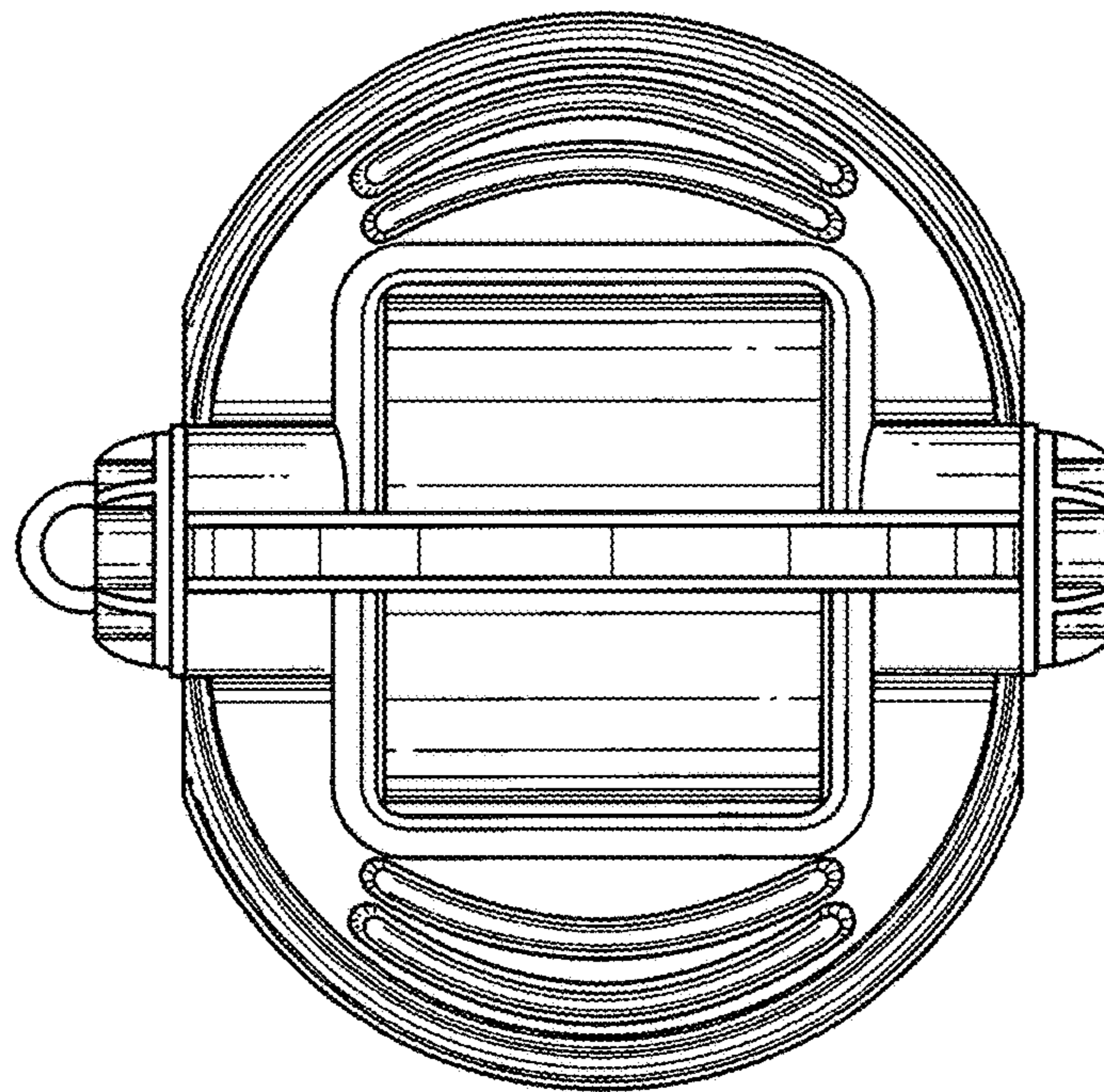


Fig. 3

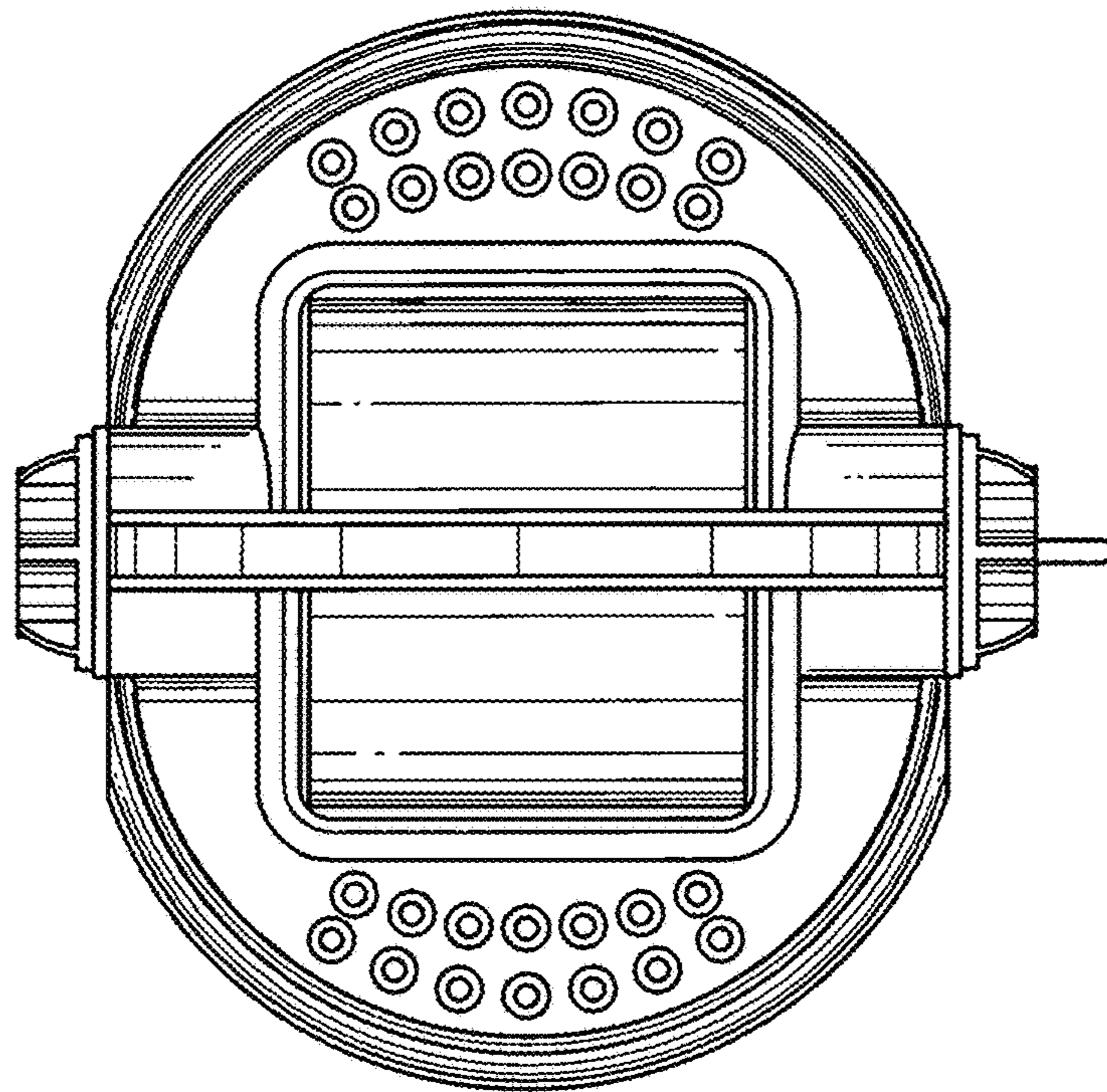


Fig. 4

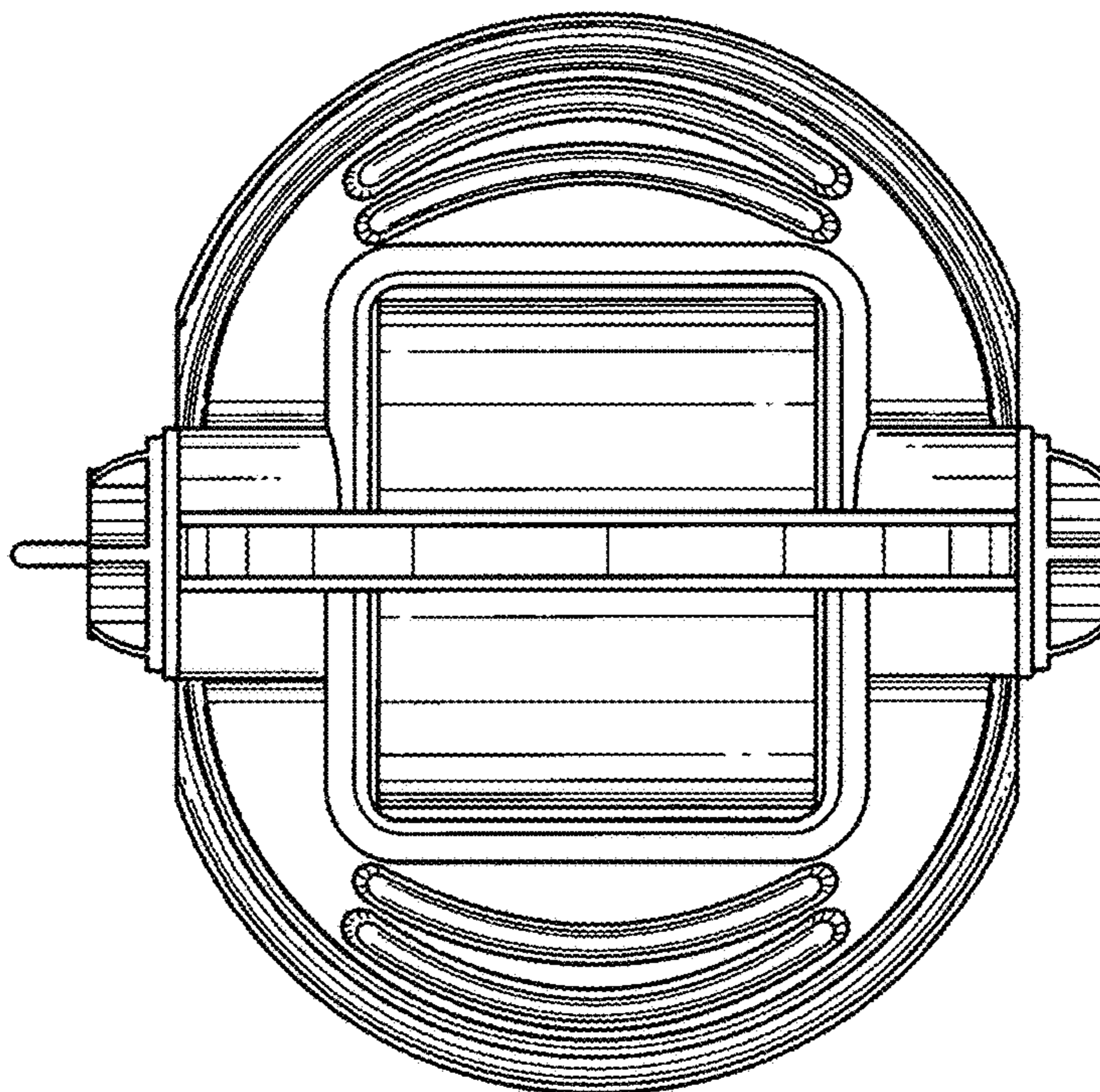


Fig. 5

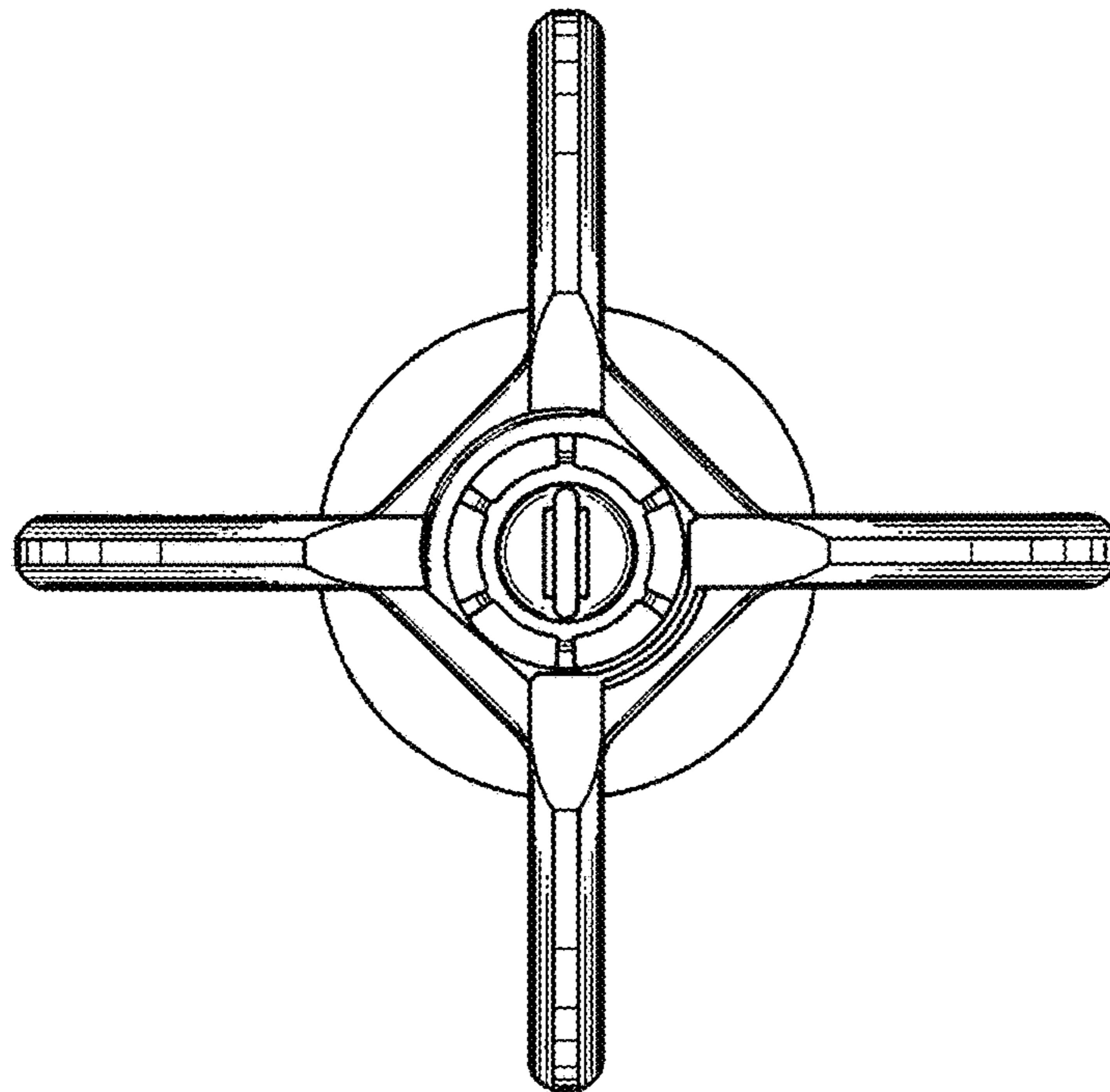


Fig. 6

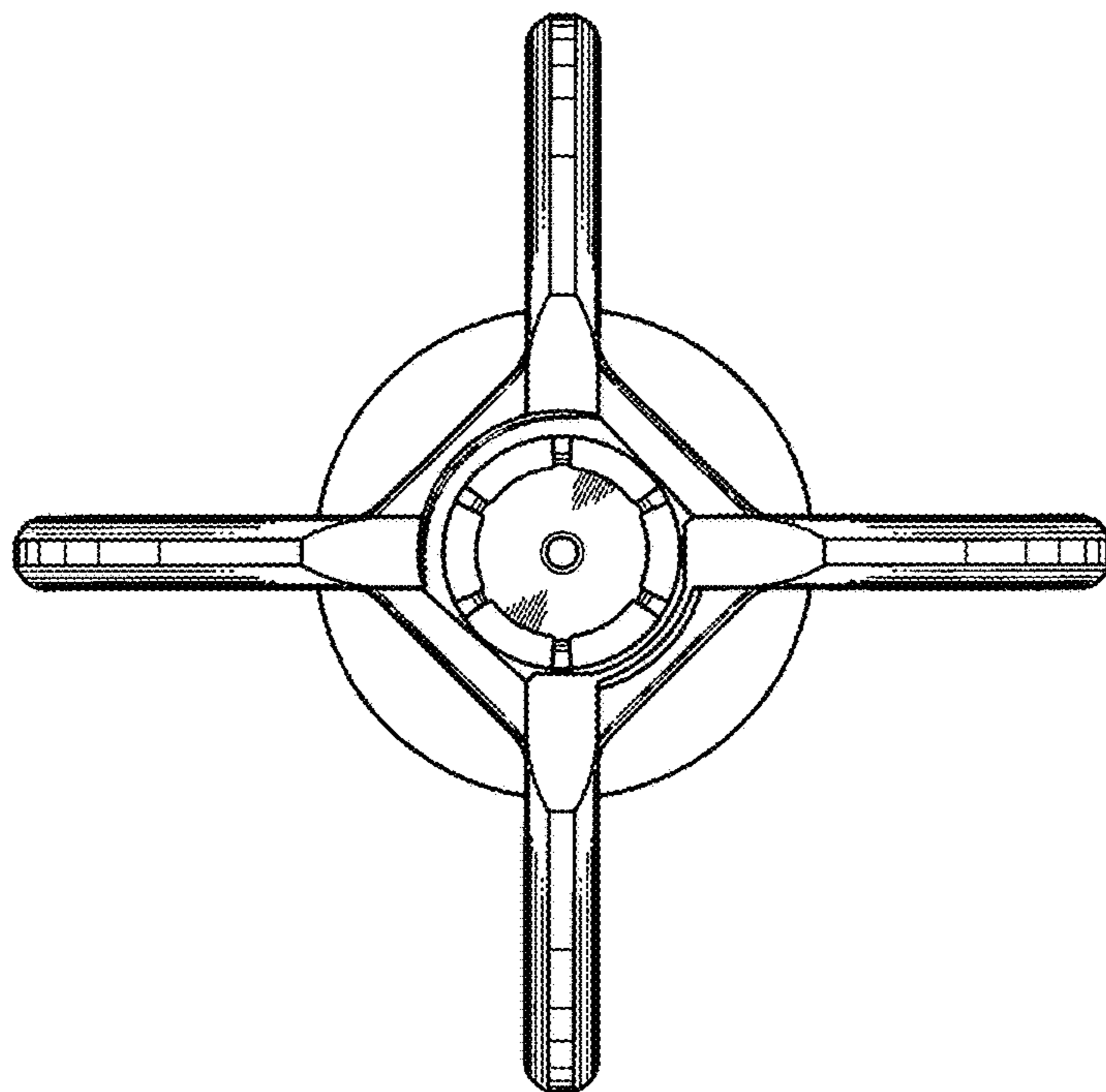


Fig. 7