



US00D848080S

(12) **United States Design Patent**
Qiao

(10) **Patent No.:** **US D848,080 S**

(45) **Date of Patent:** **** May 7, 2019**

(54) **PET FEEDER**

(71) Applicant: **Yuan Qiao**, Hebei (CN)

(72) Inventor: **Yuan Qiao**, Hebei (CN)

(**) Term: **15 Years**

(21) Appl. No.: **29/593,512**

(22) Filed: **Feb. 9, 2017**

(51) **LOC (11) Cl.** **30-03**

(52) **U.S. Cl.**
USPC **D30/133**; D30/121; D30/131; D30/130

(58) **Field of Classification Search**
USPC D30/133, 121, 128, 130, 132; 119/52.1,
119/55, 61.5, 61.6, 61.57, 61.56;
D6/480-489, 708, 691.6, 656.13, 691.8,
D6/495-499, 349, 429, 477, 353, 690;
248/188, 157, 188.5, 188.8, 188.9, 404,
248/226.11, 231.31; 312/204;
108/153.1-157, 144.11, 145, 146, 147.12,
108/147.21, 148, 149, 150, 151, 152,
108/157.1, 161, 147.19, 64, 136;
297/423.46, 423.44, 423.45; 5/659,
5/503.1, 505.1
CPC A01K 5/00; A01K 5/01; A01K 5/0107;
A01K 5/0114; A01K 5/0121; A01K
5/0128; A01K 5/0135; A01K 7/005
See application file for complete search history.

(56) **References Cited**

U.S. PATENT DOCUMENTS

D89,262 S * 2/1933 Nunimaker D30/130
D105,450 S * 7/1937 Clifton D30/130
3,180,316 A * 4/1965 Chatfield A01K 5/0291
119/51.12
D263,784 S * 4/1982 Butler D27/126
D374,513 S * 10/1996 Melvin D30/121

D374,517 S * 10/1996 Morrill D30/133
D377,244 S * 1/1997 Steininger D30/133
D424,759 S * 5/2000 Sipka D30/130
D506,294 S * 6/2005 Boje D30/133
D647,668 S * 10/2011 Siklosi D30/130
D686,784 S * 7/2013 Elliott D30/133
D699,402 S * 2/2014 Diskin D30/129
D717,505 S * 11/2014 Diskin D30/129
9,226,478 B1 * 1/2016 Uhl A01K 5/0114
9,288,967 B1 * 3/2016 Wampler A01K 7/00
9,668,455 B1 * 6/2017 Carmichael A01K 5/0114
2006/0075974 A1 * 4/2006 Kennedy A01K 5/0142
119/61.5
2008/0190372 A1 * 8/2008 Horvath A01K 5/0114
119/61.56
2010/0162961 A1 * 7/2010 Hove A01K 5/0142
119/51.5

OTHER PUBLICATIONS

DIY Elevated Paw Print Pet Feeder, <https://www.tiffanymccauley.com/elevated-dog-feeder/>, Jun. 10, 2015, 1 page. (Year: 2015).*

* cited by examiner

Primary Examiner — Susan Moon Lee
(74) *Attorney, Agent, or Firm* — MU P.C.; Jeffrey C. Mirich

(57) **CLAIM**

The ornamental design for a pet feeder, as shown herein.

DESCRIPTION

FIG. 1 is a front elevation view, showing the pet feeder.
FIG. 2 is a front perspective view of the pet feeder.
FIG. 3 is a rear perspective view of the pet feeder.
FIG. 4 is a side perspective view of the pet feeder.
FIG. 5 is a side perspective view of the pet feeder.
FIG. 6 is a top plan view of the pet feeder; and,
FIG. 7 is a bottom plan view of the pet feeder.

1 Claim, 7 Drawing Sheets

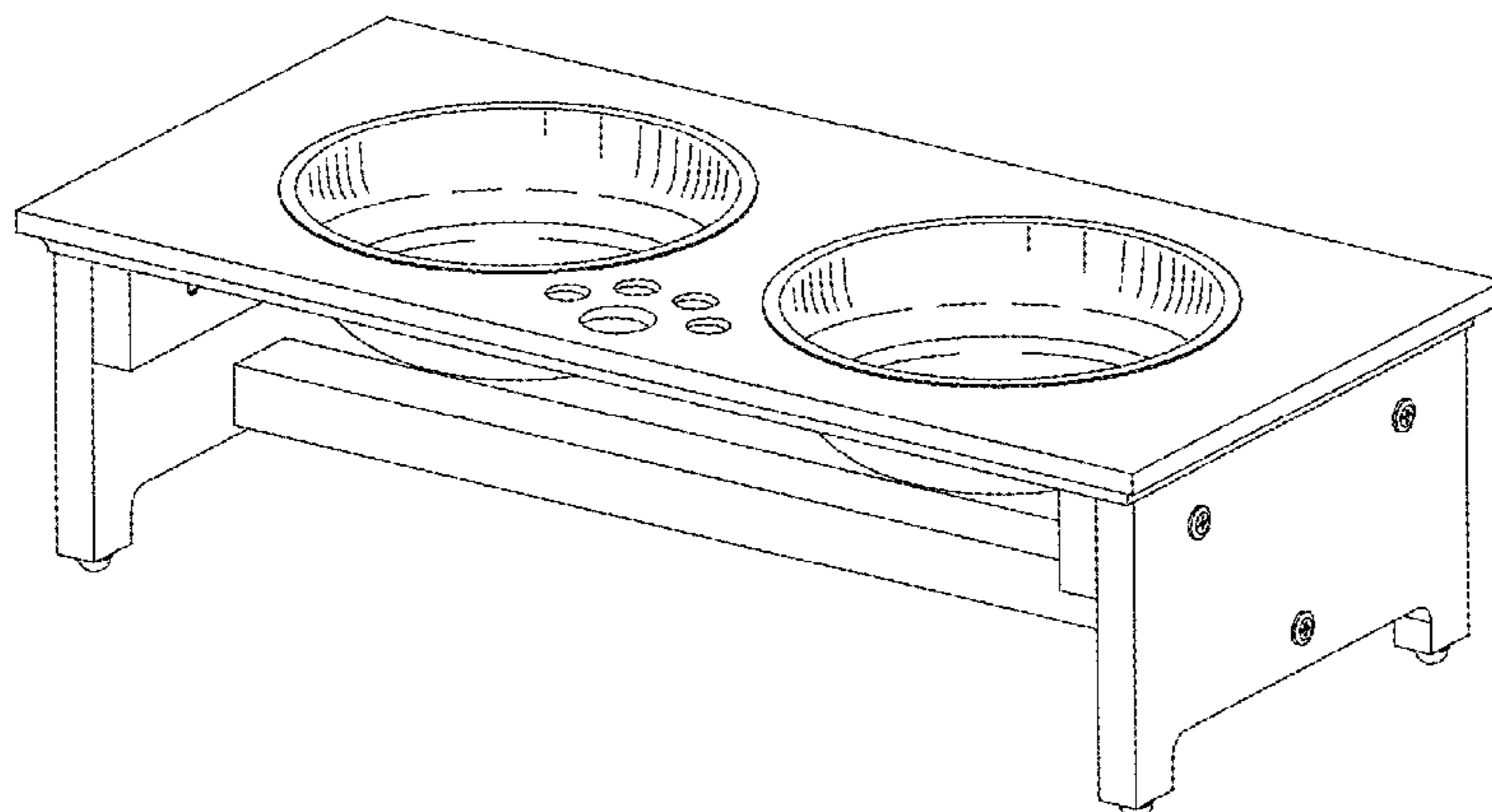


FIG. 1

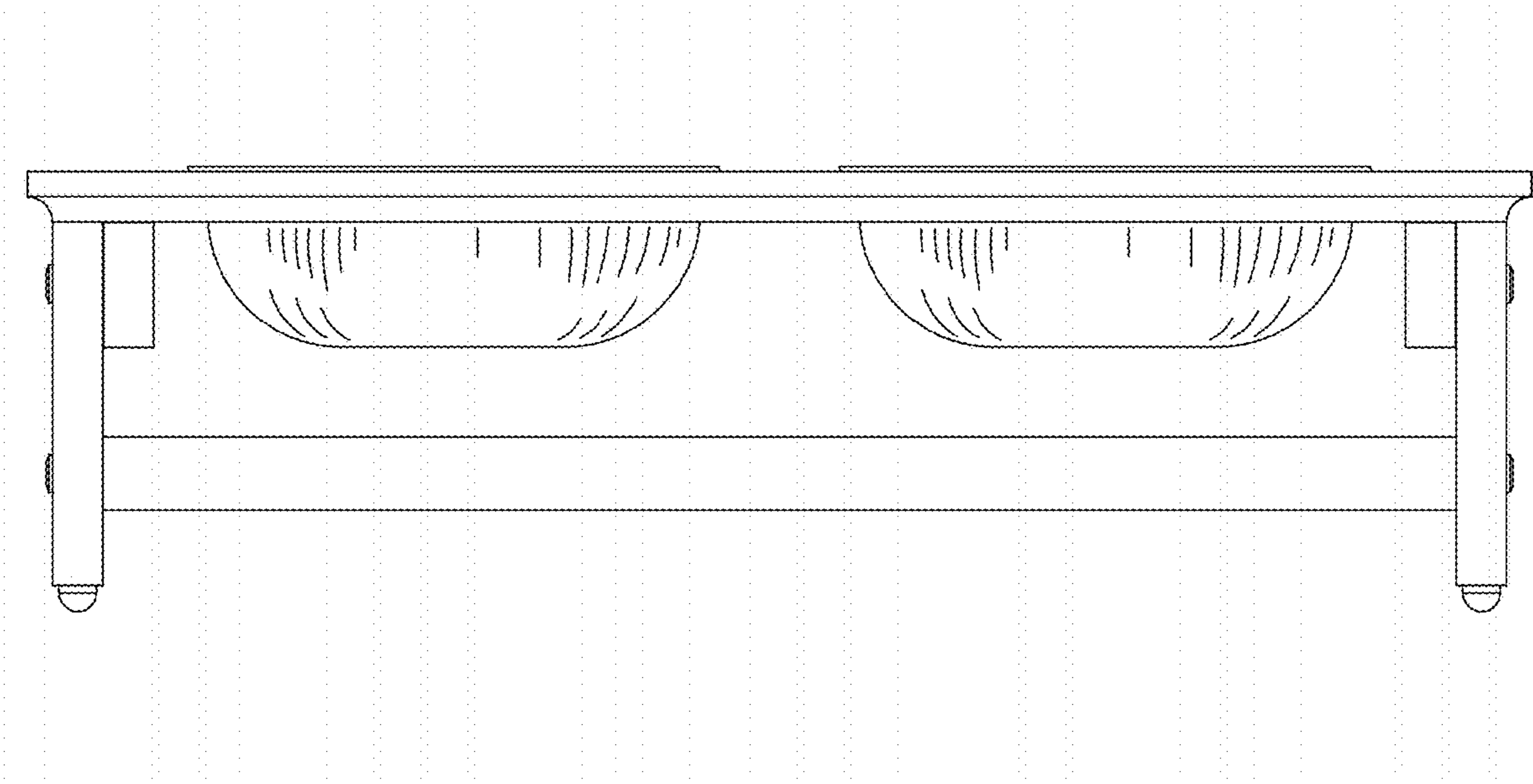


FIG. 2

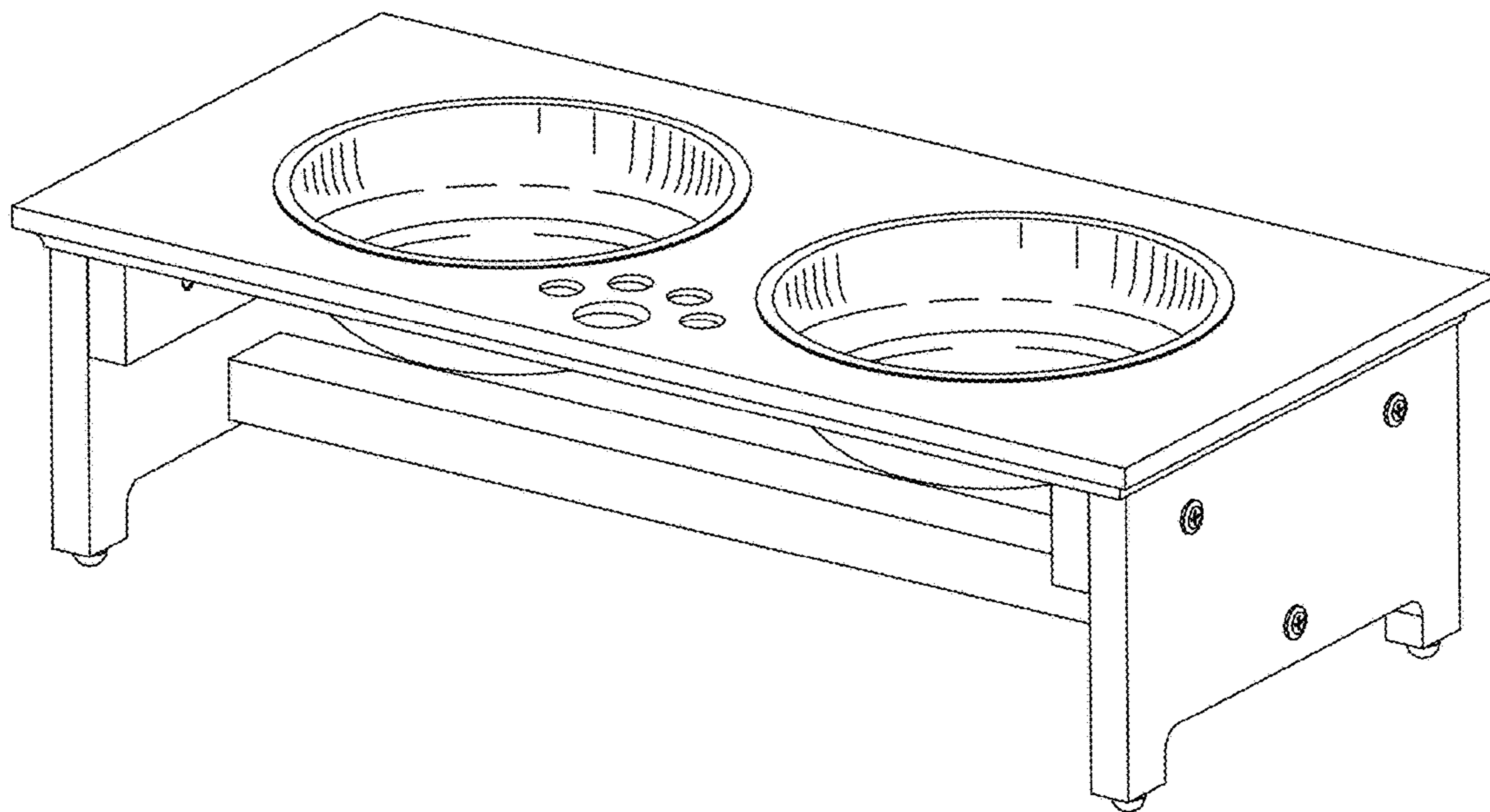


FIG. 3

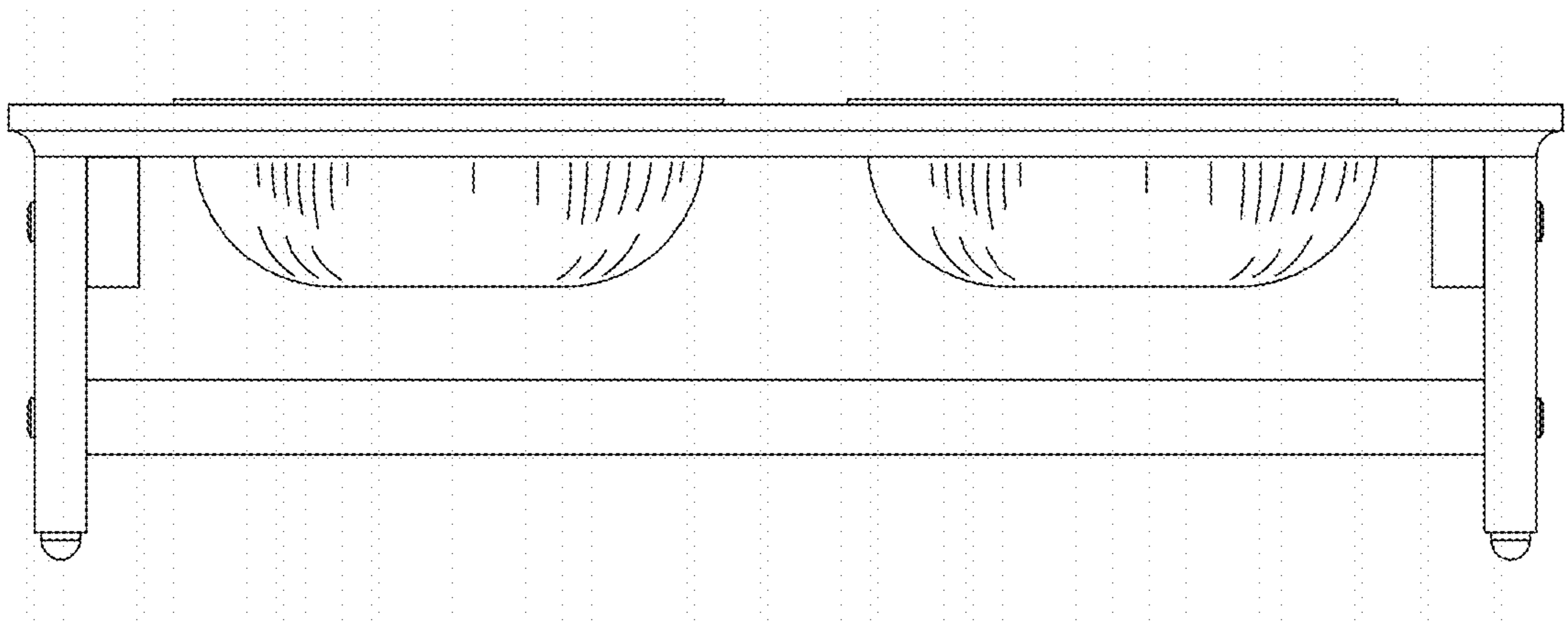


FIG. 4

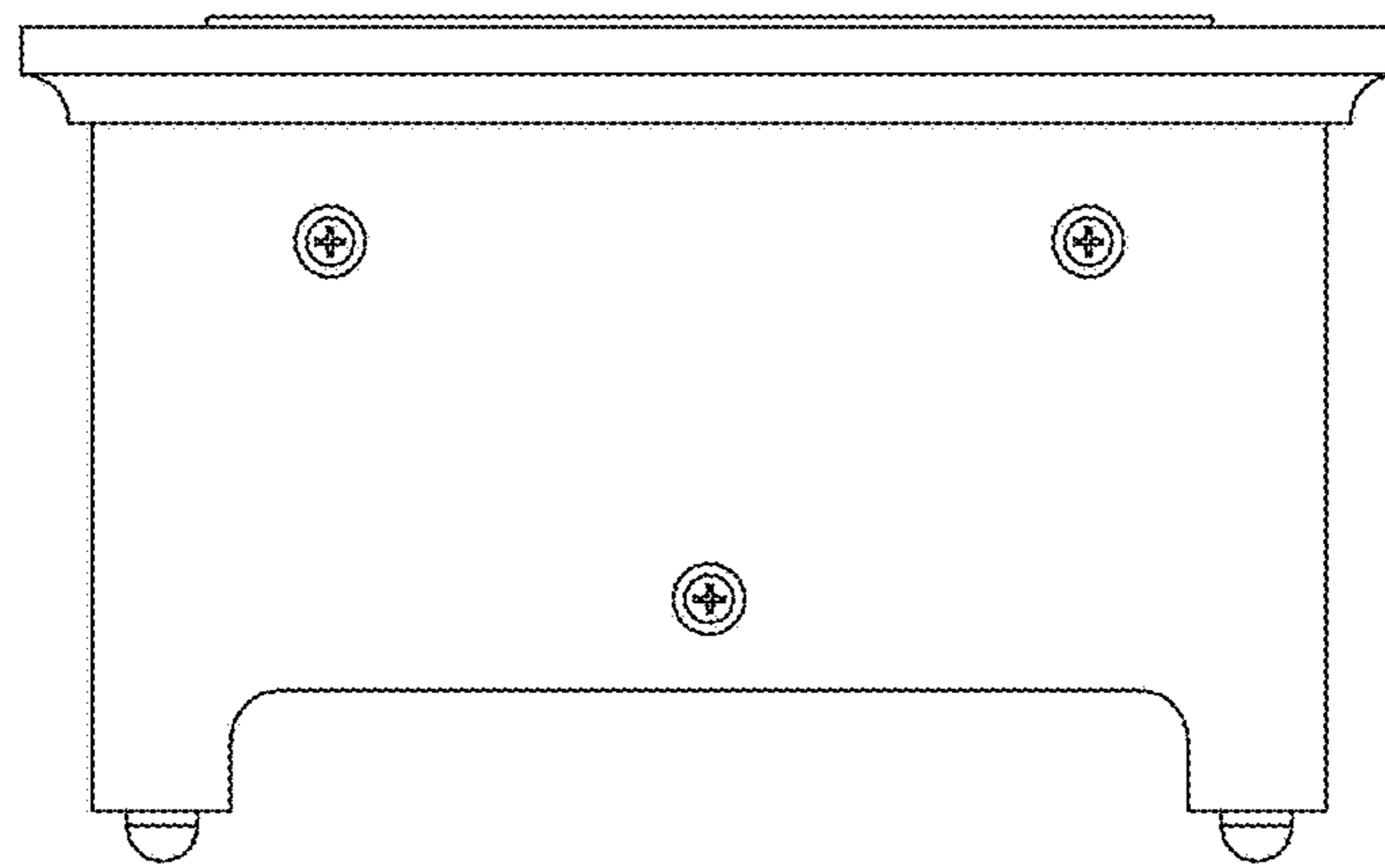


FIG. 5

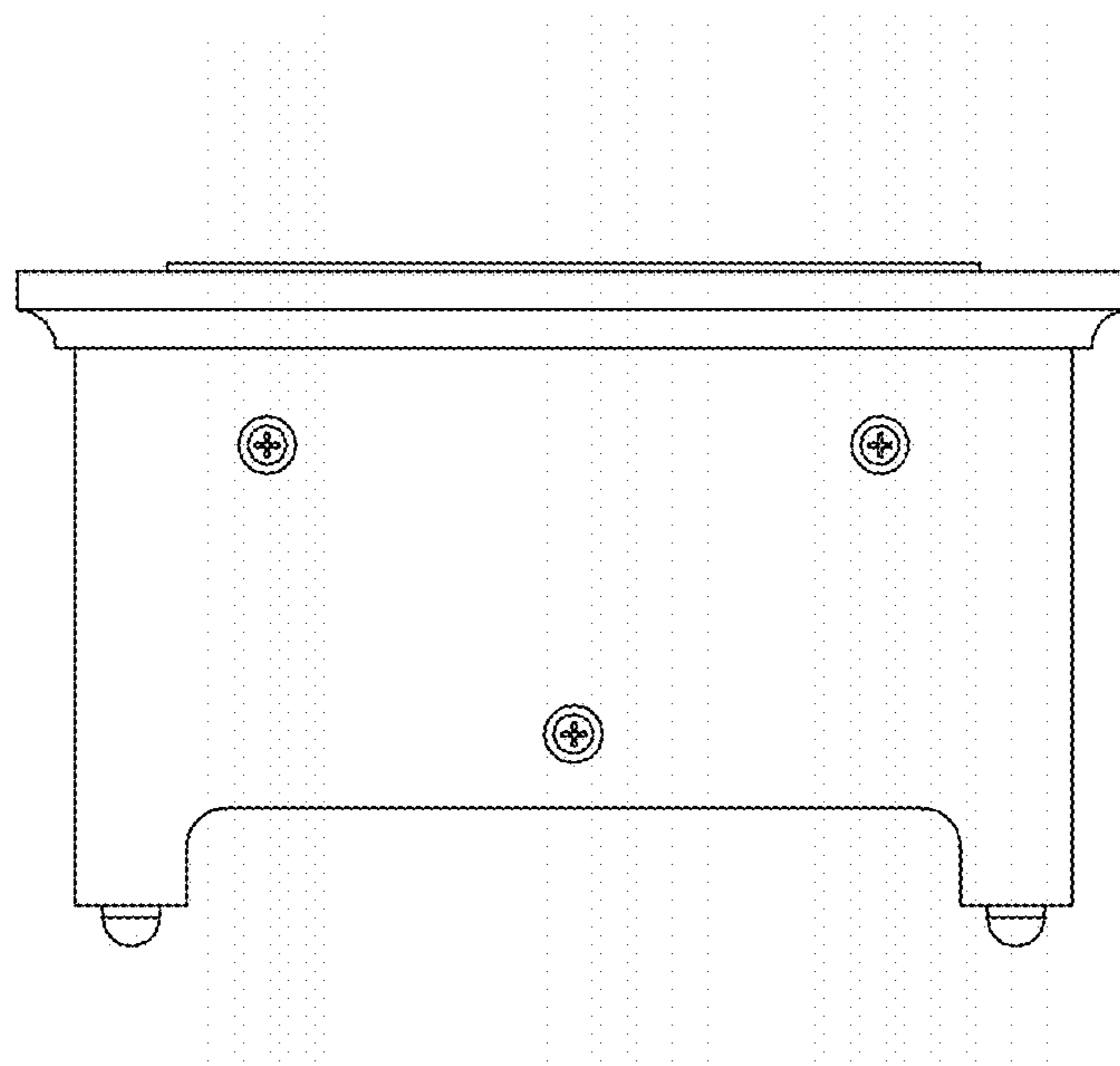


FIG. 6

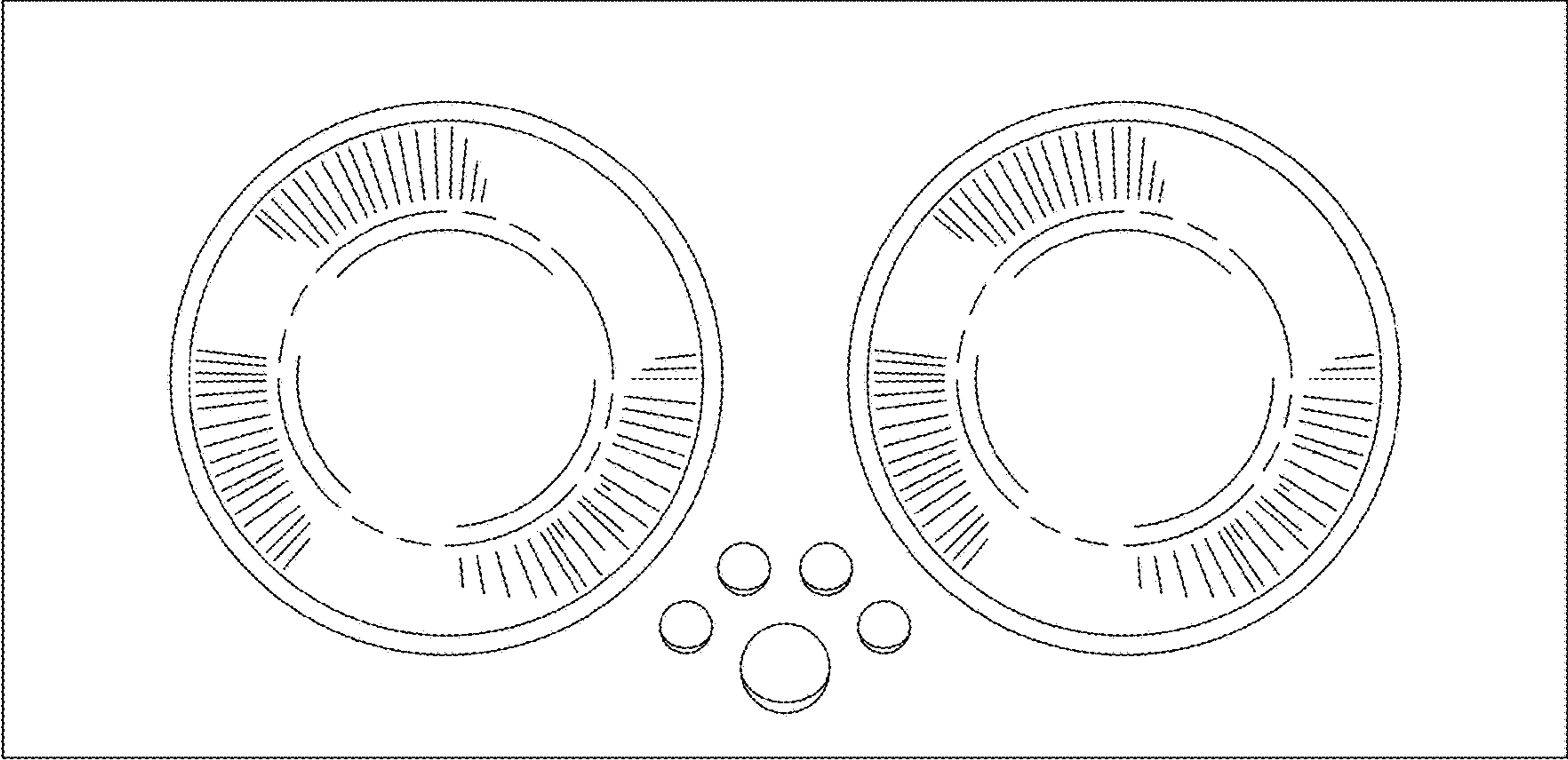


FIG. 7

