



US00D848079S

(12) **United States Design Patent** (10) **Patent No.:** **US D848,079 S**
MacNeil et al. (45) **Date of Patent:** **** May 7, 2019**

- (54) **PET RAMP**
- (71) Applicant: **MacNeil IP LLC**, Bolingbrook, IL (US)
- (72) Inventors: **David F. MacNeil**, Fort Lauderdale, FL (US); **Frederick W. Masanek, Jr.**, Barrington, IL (US); **David S. Iverson**, Oak Brook, IL (US)

736,867 A	8/1903	Murray	
756,574 A	4/1904	Brooke	
D322,872 S *	12/1991	Holbrook	119/28.5
5,213,060 A *	5/1993	Sloan	A01K 1/0353 119/28.5
D382,676 S *	8/1997	Holbrook	D30/119
D412,224 S *	7/1999	Adler	D30/119
5,933,898 A *	8/1999	Estes	B65G 69/30 14/69.5

(Continued)

- (73) Assignee: **MacNeil IP LLC**, Bolingbrook, IL (US)
- (**) Term: **15 Years**
- (21) Appl. No.: **29/624,138**
- (22) Filed: **Oct. 30, 2017**

Related U.S. Application Data

- (62) Division of application No. 29/560,231, filed on Apr. 4, 2016.
- (51) **LOC (11) Cl.** **30-02**
- (52) **U.S. Cl.**
USPC **D30/119**
- (58) **Field of Classification Search**
USPC D30/108, 109, 113, 114, 115, 116, 117,
D30/118, 119, 120; D25/152, 153, 154,
D25/155, 156
CPC A01K 1/035
See application file for complete search history.

(56) **References Cited**

U.S. PATENT DOCUMENTS

322,872 A	7/1885	Watson
353,029 A	11/1886	Hirsch
376,874 A	1/1888	Gesner
376,909 A	1/1888	Reiff
382,676 A	5/1888	Alden
412,224 A	10/1889	Atchison
558,473 A	4/1896	Berger
640,015 A	12/1899	Newby

OTHER PUBLICATIONS

“PetSTEP Original Folding Pet Ramp”. Found online Nov. 15, 2018 at amazon.com. Page dated Jul. 12, 2003. Retrieved from https://www.amazon.com/PetSTEP-Original-Folding-Ramp-Graphite/dp/B001AR7YII/ref=cm_cr_ar_p_d_product_top?ie=UTF8.*

(Continued)

Primary Examiner — George D. Kirschbaum

Assistant Examiner — Kendra Leslie Hamilton

(74) *Attorney, Agent, or Firm* — Perkins IP Law Group LLC; Jefferson Perkins

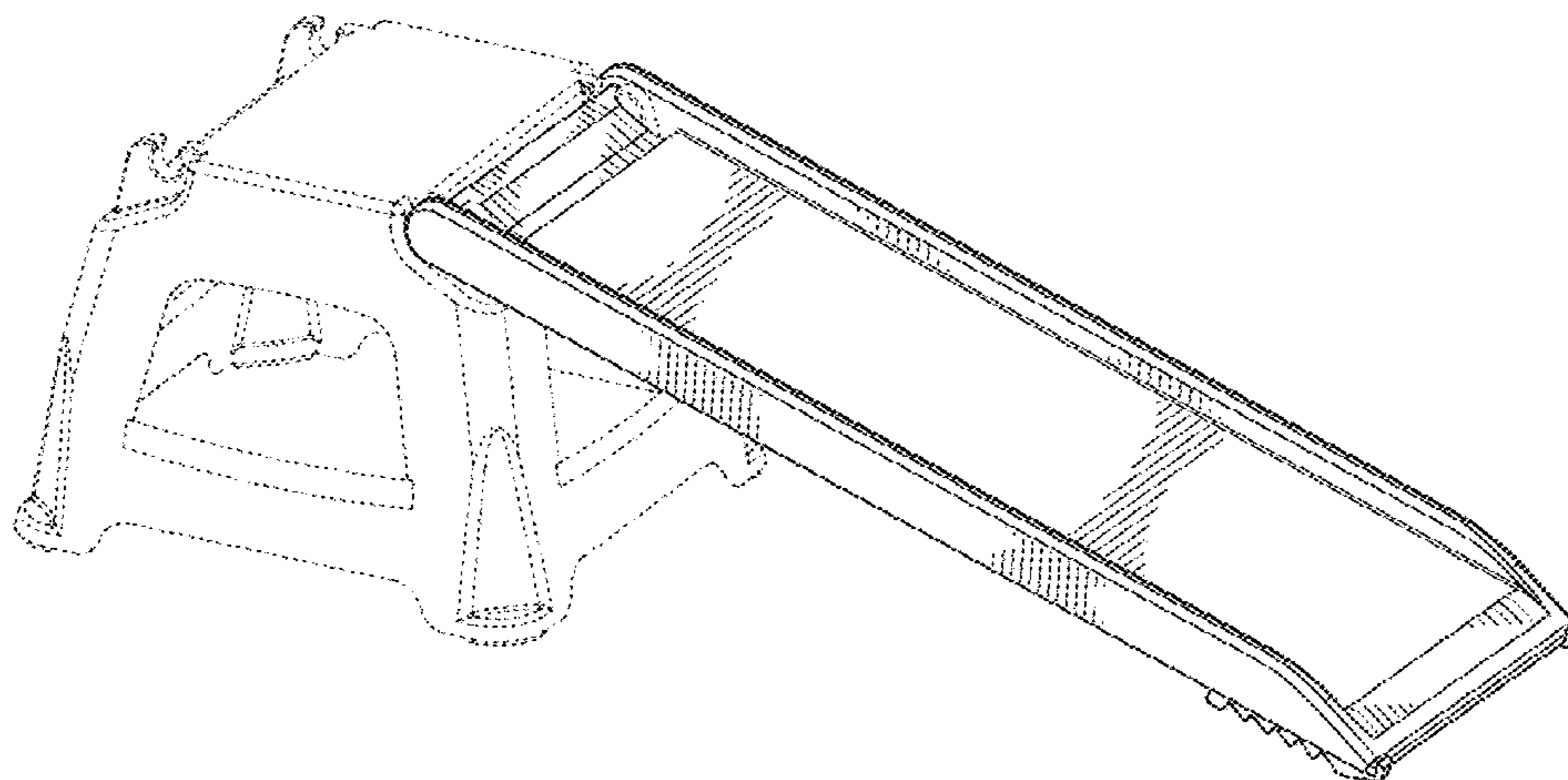
(57) **CLAIM**

We claim the ornamental design for a pet ramp, as shown and described.

DESCRIPTION

FIG. 1 is a top perspective view of our design; FIG. 2 is a magnified top perspective view of our design; FIG. 2A is a magnified perspective detail taken from the point of view of line 2A = 2A in FIG. 2; FIG. 3 is a top view of our design; FIG. 4 is a left side view of our design, a right side view being a mirror image of the left side view; FIG. 5 is a front view of our design; and, FIG. 6 is a rear view of our design. The broken lines in the drawings depict environmental subject matter and form no part of the claimed design.

1 Claim, 3 Drawing Sheets



(56)

References Cited

U.S. PATENT DOCUMENTS

6,119,634	A	9/2000	Myrick	
6,267,082	B1 *	7/2001	Naragon	A01K 1/035 119/849
6,318,294	B1	11/2001	Richmond et al.	
6,516,752	B2 *	2/2003	Batterton	A01K 13/001 119/650
6,886,660	B2	5/2005	Sapatova	
6,895,622	B2 *	5/2005	Szekely	E01C 11/24 14/69.5
D599,062	S *	8/2009	Jakubowski	D30/199
8,468,632	B1 *	6/2013	Ricci	A01K 1/035 14/69.5
8,684,278	B2 *	4/2014	Brown, Jr.	B60B 39/12 238/14
9,694,997	B2 *	7/2017	Lopez	B60P 1/43
9,775,326	B1 *	10/2017	MacNeil	A01K 1/035
2005/0115522	A1	6/2005	Bishop	
2016/0302381	A1	10/2016	Asposito	

OTHER PUBLICATIONS

“Pet Gear Pet Ramp”. Found online Jan. 19, 2017 at amazon.com. Page dated Jan. 16, 2013. Retrieved from <https://www.amazon.com/>

Pet-Gear-Standing-300-Pounds-Chocolate/dp/B00CGYE0LI/ref=cm_cr_arp_d_product_top?ie=UTF8.*

“Internet’s Best Small Adjustable Pet Ramp”. Found online Nov. 15, 2018 at amazon.com. Page dated Oct. 24, 2017. Retrieved from https://www.amazon.com/Internets-Best-Adjustable-Decorative-Friendly/dp/B076H98PRK/ref=cm_cr_arp_d_product_top?ie=UTF8.*

“JW Pet Walk Up Small Animal Barn.” Found online Apr. 6, 2017 at amazon.com. Page dated Dec. 23, 2011. Retrieved from https://www.amazon.com/JW-Pet-Company-Animal-Assorted/dp/B003NTJOSS/ref=cm_cr_arp_d_product_top?ie=UTF8.

“Kaytee Woodland Get-A-Way Small Mouse House.” Found online Apr. 6, 2017 at amazon.com. Page dated Feb. 5, 2010. Retrieved from https://www.amazon.com/Kaytee-Woodland-Small-Mouse-House/dp/B0009WMQ7Y/ref=cm_cr_arp_d_product_top?ie=UTF8.

“Paw Climbers Pet Ramp for Beds.” Found online Jan. 19, 2017 at sears.com. Page dated Sep. 24, 2014. Retrieved from <http://web.archive.org/web/20140924003141/http://www.sears.com/paw-climbers-pet-ramp-for-beds/p-SPM9589744625?>

“Low Platform Pet Ramp.” Found online Jan. 19, 2017 at petclassics.com. Page dated Sep. 17, 2011. Retrieved from <http://web.archive.org/web/20110917150034/http://www.petclassics.com/Sofa-Ramps-For-Pets/low-platform-pet-ramp.74.html>.

* cited by examiner

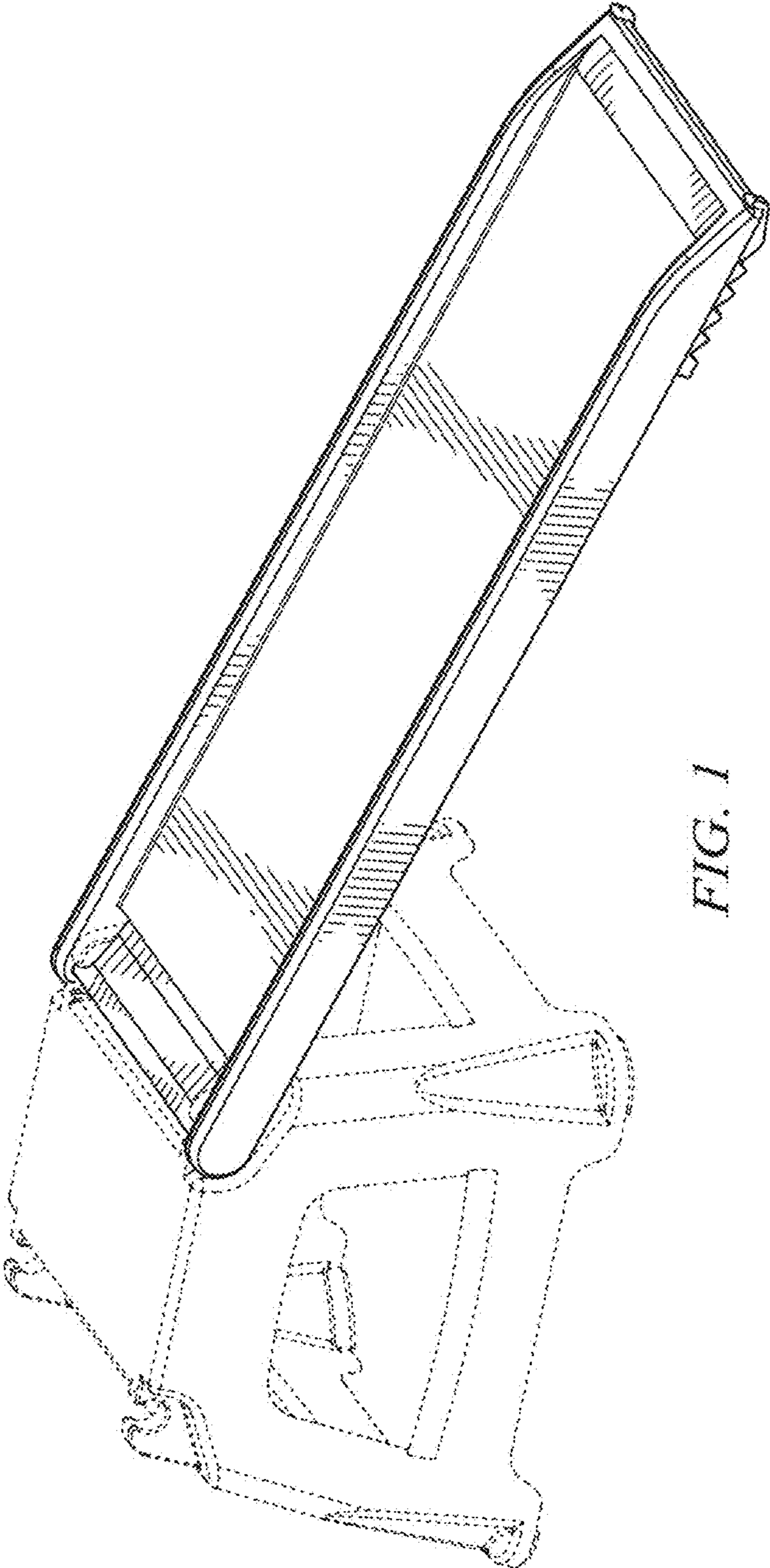


FIG. 1

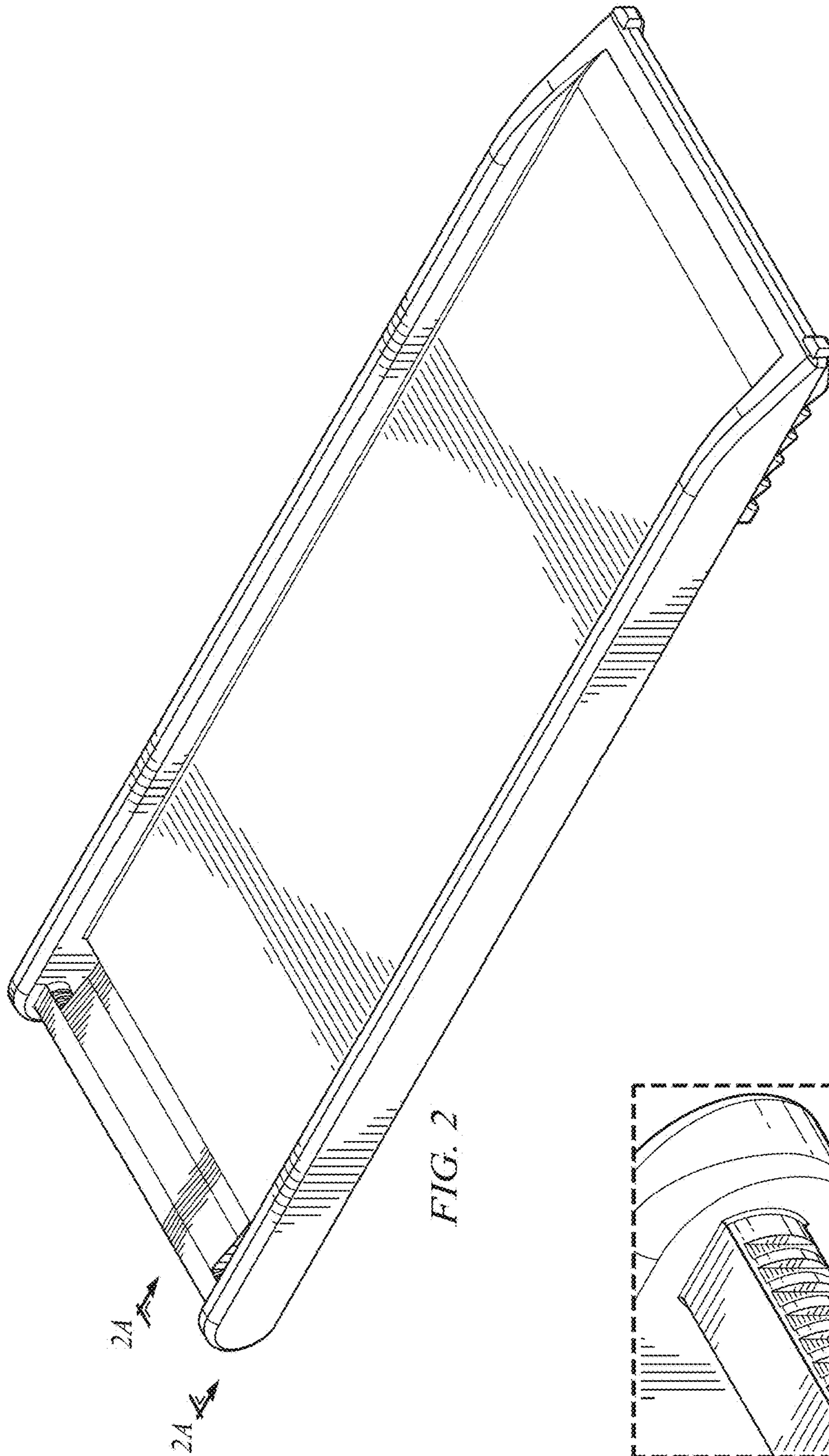


FIG. 2

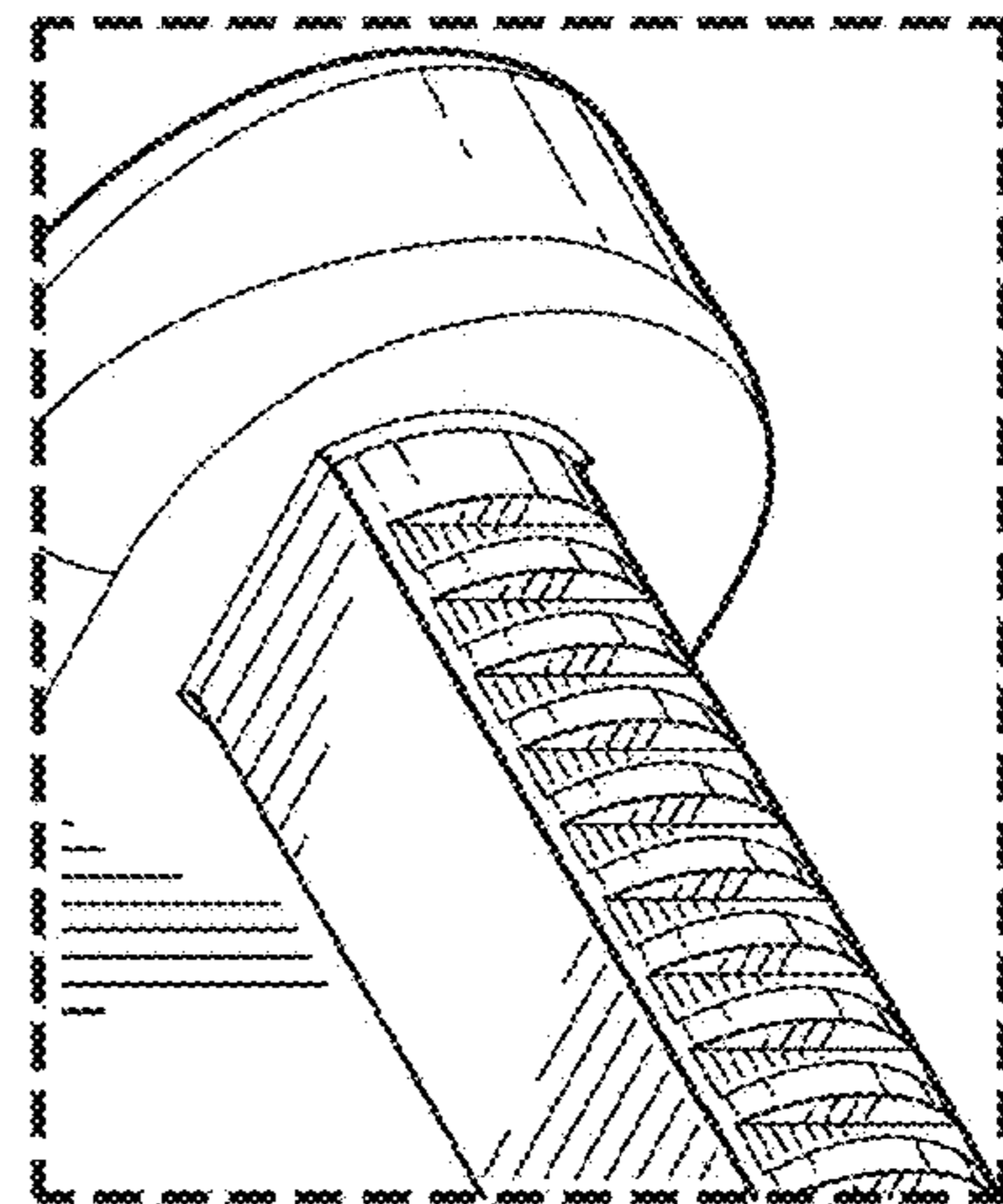


FIG. 2A

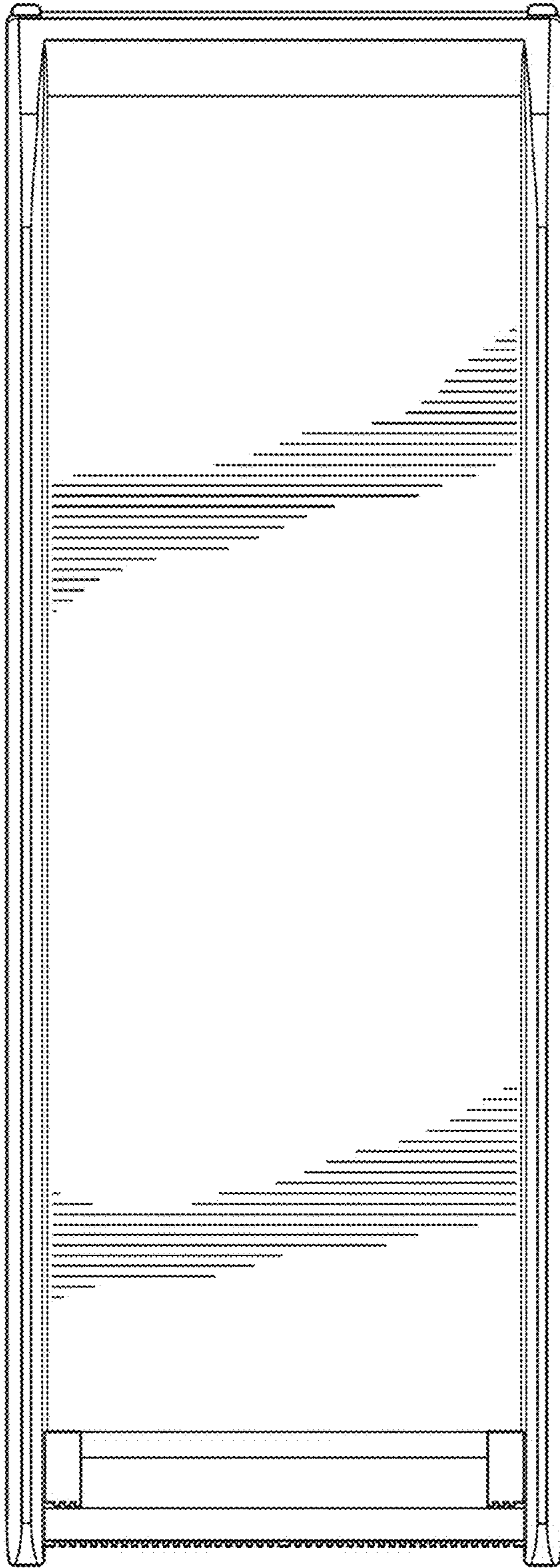


FIG. 3

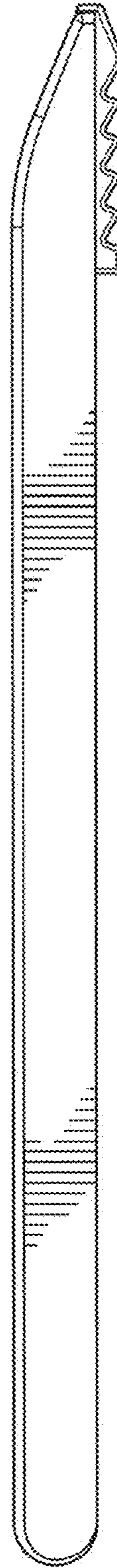


FIG. 4

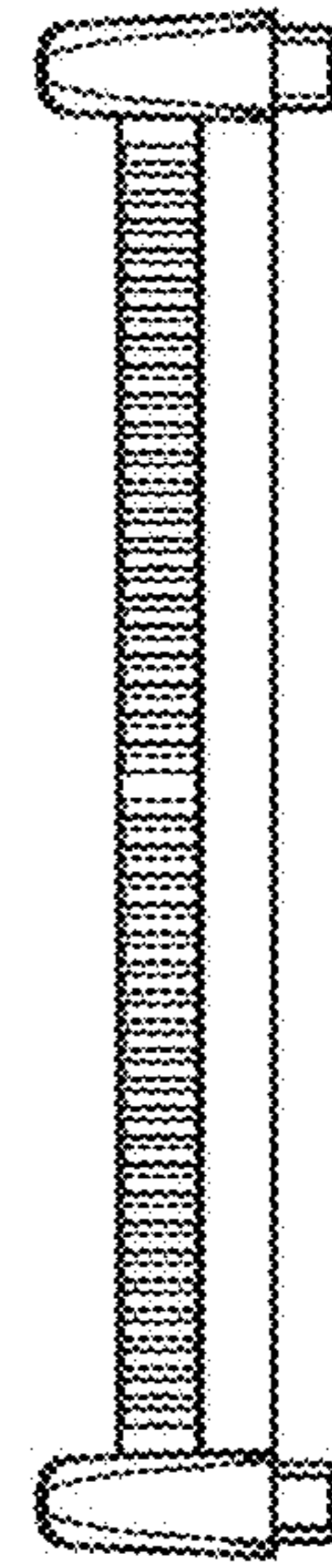


FIG. 5

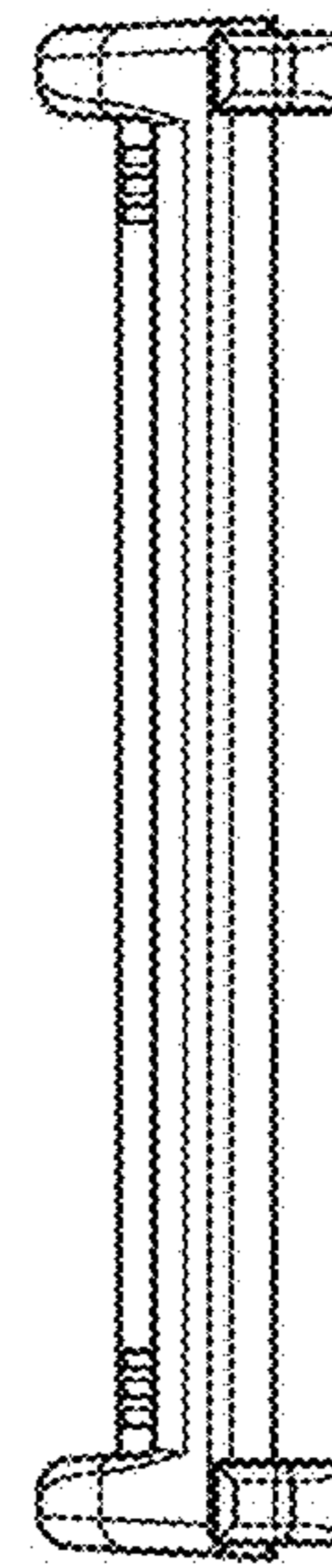


FIG. 6