



US00D848074S

(12) **United States Design Patent**
Kim

(10) **Patent No.:** **US D848,074 S**

(45) **Date of Patent:** **** May 7, 2019**

(54) **COMBINED NAIL CLIPPER AND
MAGNIFYING GLASS**

(71) Applicant: **ROYAL METAL INDUSTRIAL CO.,
LTD.**, Bucheon-si, Gyeonggi-do (KR)

(72) Inventor: **Kap Soo Kim**, Siheung-si (KR)

(73) Assignee: **ROYAL METAL INDUSTRIAL CO.,
LTD.**, Bucheon-si (KR)

(**) Term: **15 Years**

(21) Appl. No.: **29/616,651**

(22) Filed: **Sep. 7, 2017**

(30) **Foreign Application Priority Data**

Jun. 23, 2017 (KR) 30-2017-0029057

(51) **LOC (11) Cl.** **28-03**

(52) **U.S. Cl.**
USPC **D28/60**

(58) **Field of Classification Search**
USPC D28/9, 55-57, 60; 132/73-76.5;
30/26-29, 124; 359/656, 811, 817, 819;
D16/100, 135; 351/154

CPC A45D 29/02; A45D 29/04; A45D 29/06;
A45D 29/12; A45D 29/17; A45D 29/18;
A45D 29/023; A45D 2029/026

See application file for complete search history.

(56) **References Cited**

U.S. PATENT DOCUMENTS

D25,949 S * 8/1896 Hinden D16/100
D198,660 S * 7/1964 Britton D28/60
3,154,850 A * 11/1964 Okuno A45D 29/023
132/73
3,744,131 A * 7/1973 Manes A45D 29/023
30/28

3,986,257 A * 10/1976 Kiura A45D 29/023
30/28
4,574,475 A * 3/1986 Lee A45D 29/023
30/125
4,614,031 A * 9/1986 Chen A45D 29/023
132/75.5
D305,267 S * 12/1989 Chung D28/60
(Continued)

OTHER PUBLICATIONS

Nail Clipper with Magnifier SMC-2, Royal Metal, posted at royalmetal.co.kr, author and date not listed © 2018 Royal Metal Ind. Co., LTD, online, site visited Aug. 16, 2018. Available from Internet, URL: <https://www.royalmetal.co.kr/products.html> (Year: 2018).*

(Continued)

Primary Examiner — Shannon W Morgan

Assistant Examiner — Altaira J Swangin

(74) *Attorney, Agent, or Firm* — Novick, Kim & Lee, PLLC; Jae Youn Kim

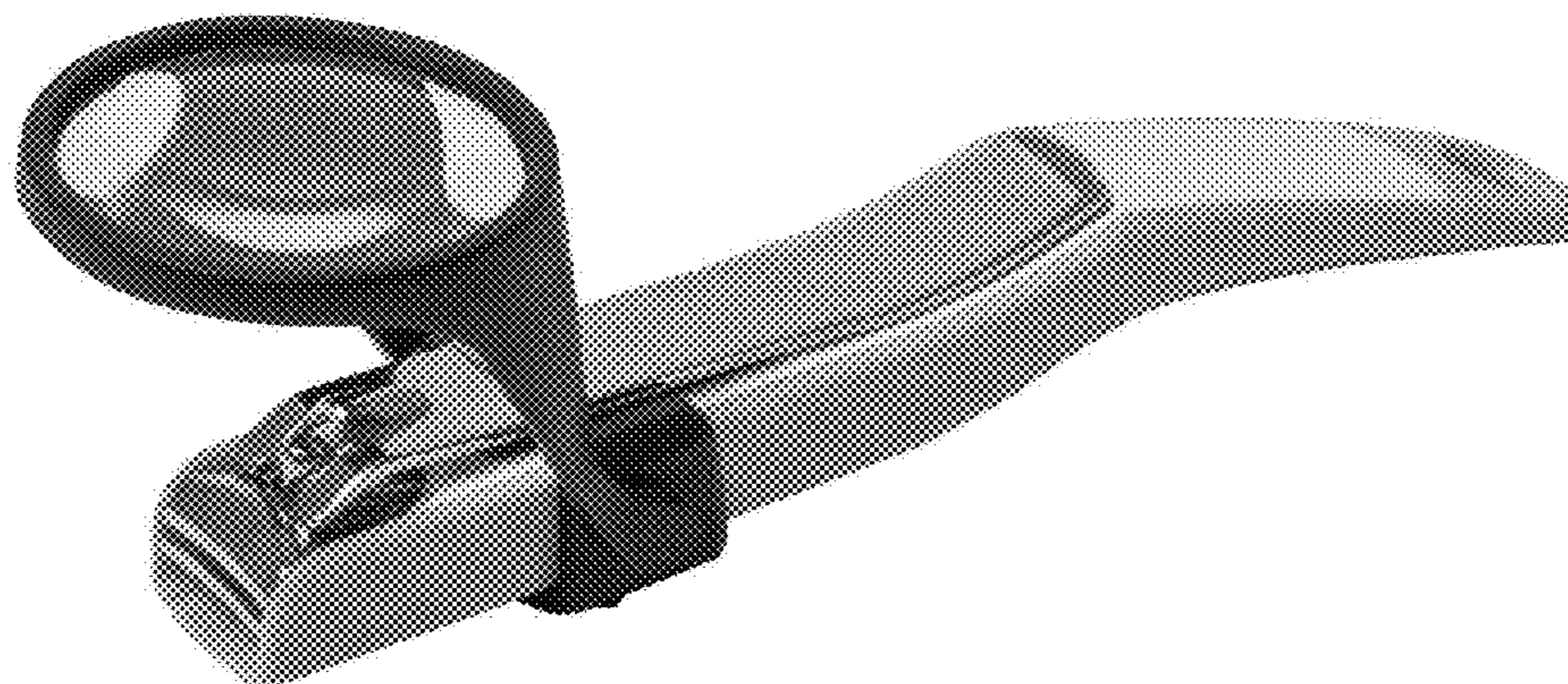
(57) **CLAIM**

I claim, the ornamental design for a combined nail clipper and magnifying glass, as shown and described.

DESCRIPTION

FIG. 1 is a top, front, left perspective view of a combined nail clipper and magnifying glass, showing my new design; FIG. 2 is a front elevational view thereof; FIG. 3 is a rear elevational view thereof; FIG. 4 is a left side elevational view thereof; FIG. 5 is a right side elevational view thereof; FIG. 6 is a top plan view thereof, showing the magnifying frame including the glass lens; FIG. 7 is a bottom plan view thereof; and, FIG. 8 is another top plan view thereof, showing an alternate configuration wherein the magnifying frame does not include the glass lens, for ease of illustration.

1 Claim, 8 Drawing Sheets



(56)

References Cited

U.S. PATENT DOCUMENTS

4,934,050 A * 6/1990 Athalye A45D 29/023
132/75
4,996,771 A * 3/1991 Williams A45D 29/023
132/75.5
5,195,544 A * 3/1993 Campagna A45D 29/023
132/73.5
5,226,849 A * 7/1993 Johnson A45D 26/0066
132/73
D350,551 S * 9/1994 Feinbloom D16/135
D350,761 S * 9/1994 Feinbloom D16/135
5,490,327 A * 2/1996 Ohori A45D 29/02
132/75.5
5,537,747 A * 7/1996 Cacciotti A45D 29/023
132/75.5
5,546,658 A * 8/1996 MacLeod A45D 29/023
30/124
5,564,189 A * 10/1996 Lee A45D 29/023
132/75.5
5,617,633 A * 4/1997 Lee A45D 29/023
132/75.5
5,632,288 A * 5/1997 Webb A45D 29/023
132/75.5
5,931,167 A * 8/1999 Coleman A45D 29/02
132/73
D437,457 S * 2/2001 Kim D28/60
D437,458 S * 2/2001 Kim D28/60
D439,375 S * 3/2001 Socarras D28/60
D440,243 S * 4/2001 Jacquet D16/135
D468,865 S * 1/2003 Park D28/60
D516,250 S * 2/2006 Merheje D28/60
D517,731 S * 3/2006 Legras de Grandcourt .. D28/59
D522,177 S * 5/2006 Legras de Grandcourt .. D28/60
D573,757 S * 7/2008 Kim D28/60

D581,098 S * 11/2008 Fiene D28/60
D625,884 S * 10/2010 Ashok D28/60
D676,610 S * 2/2013 Kim D28/62
D726,373 S * 4/2015 Charroy D28/60
D726,374 S * 4/2015 Kim D28/60
D813,460 S * 3/2018 Ishida D28/60
D823,368 S * 7/2018 Kessler D16/135
2002/0092172 A1* 7/2002 Park A45D 29/02
30/28
2003/0000090 A1* 1/2003 Yasuyuki A45D 29/02
30/28
2003/0010349 A1* 1/2003 Rende A45D 29/023
132/75
2004/0098861 A1* 5/2004 Novellie A45D 29/02
30/28
2004/0194795 A1* 10/2004 Cho A45D 29/02
132/73
2006/0075639 A1* 4/2006 Wong A45D 29/02
30/28
2007/0017537 A1* 1/2007 Neal A45D 29/02
132/75.4
2008/0313908 A1* 12/2008 Han A45D 29/023
30/28
2016/0073760 A1* 3/2016 Rizzi A45D 29/06
132/200
2016/0286931 A1* 10/2016 LaTorre A45D 29/023

OTHER PUBLICATIONS

Steel Nail Clipper Magnifier, brand not listed, <http://bargains-galore.blogspot.com>, posted by food inspiration on Jun. 25, 2014 © not listed, online, site visited Aug. 16, 2018. Available from Internet, URL: <http://bargains-galore.blogspot.com/2014/06/steel-nail-clippercutter-with-magnifier.html> (Year: 2014).*

* cited by examiner



FIG. 1

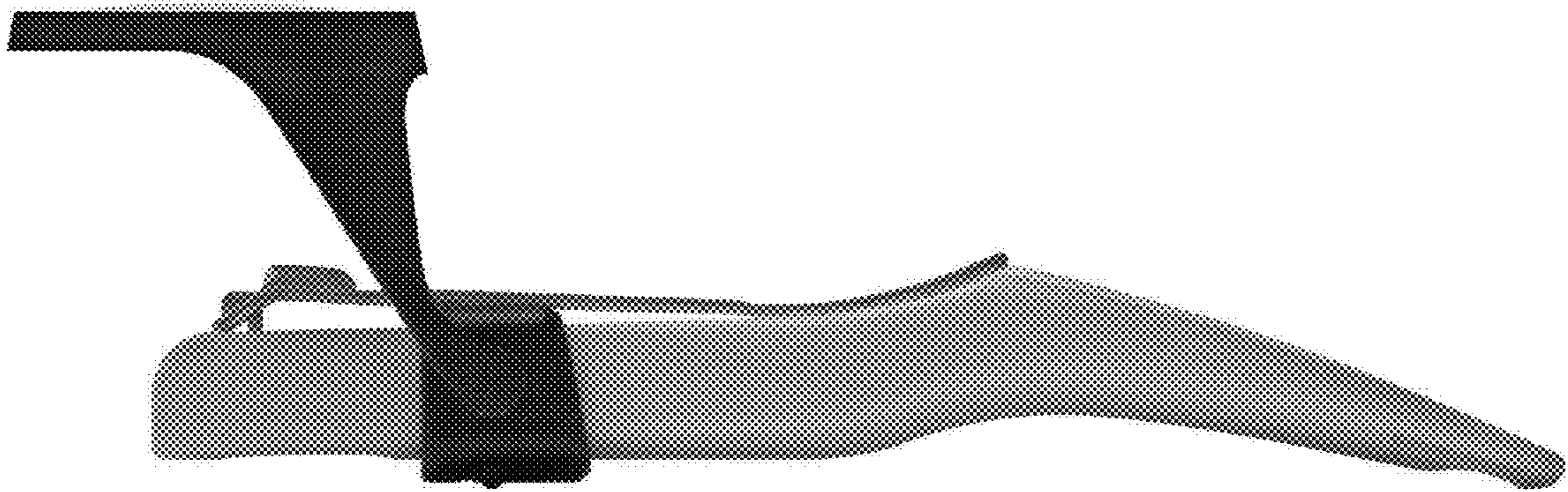


FIG. 2

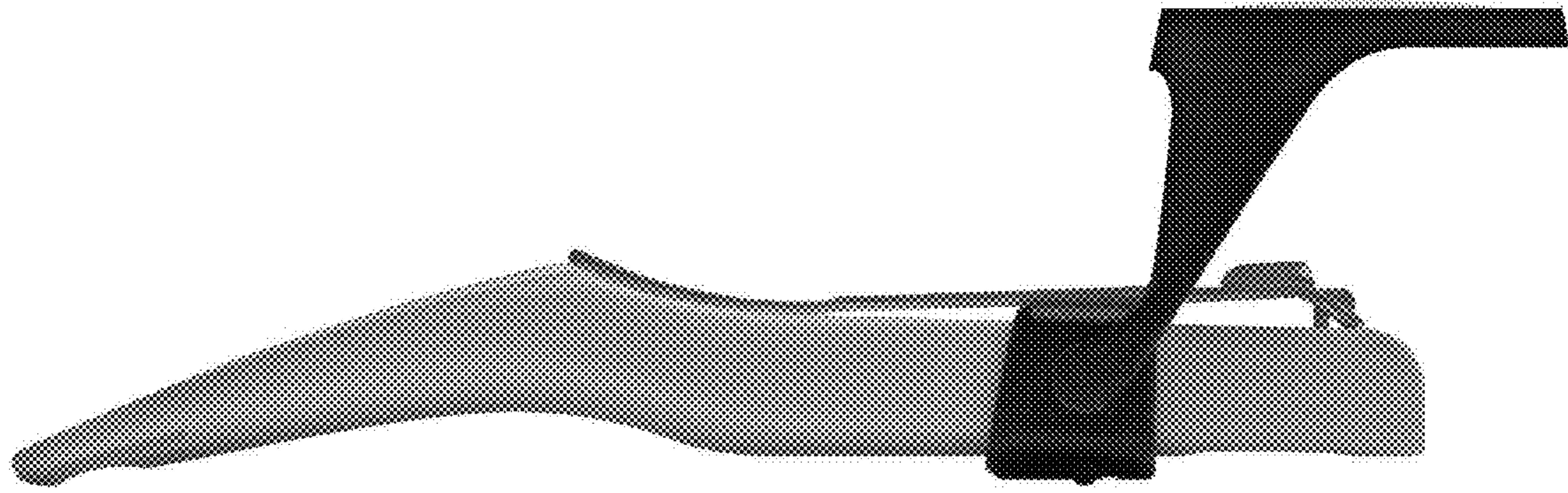


FIG. 3



FIG. 4

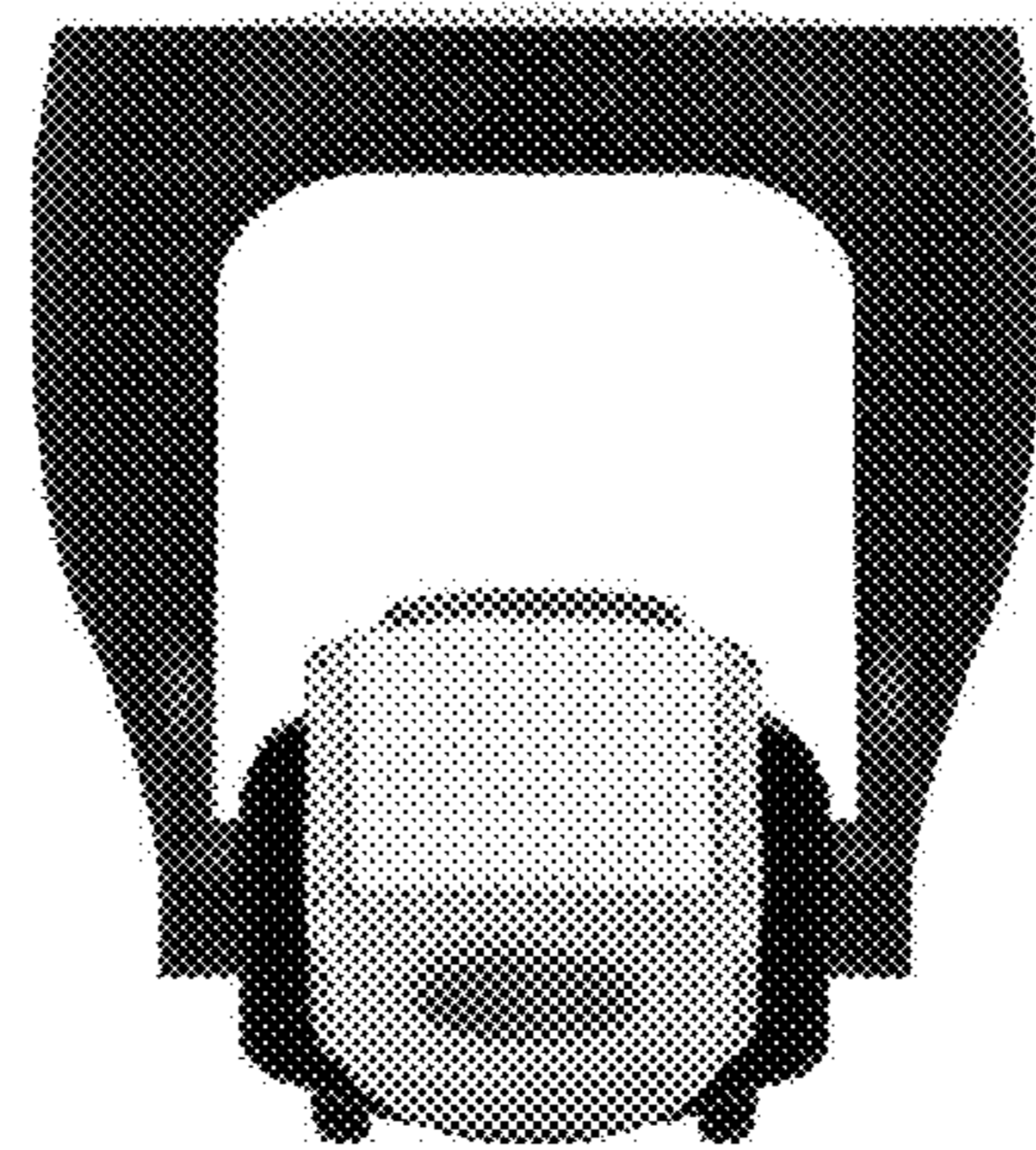


FIG. 5

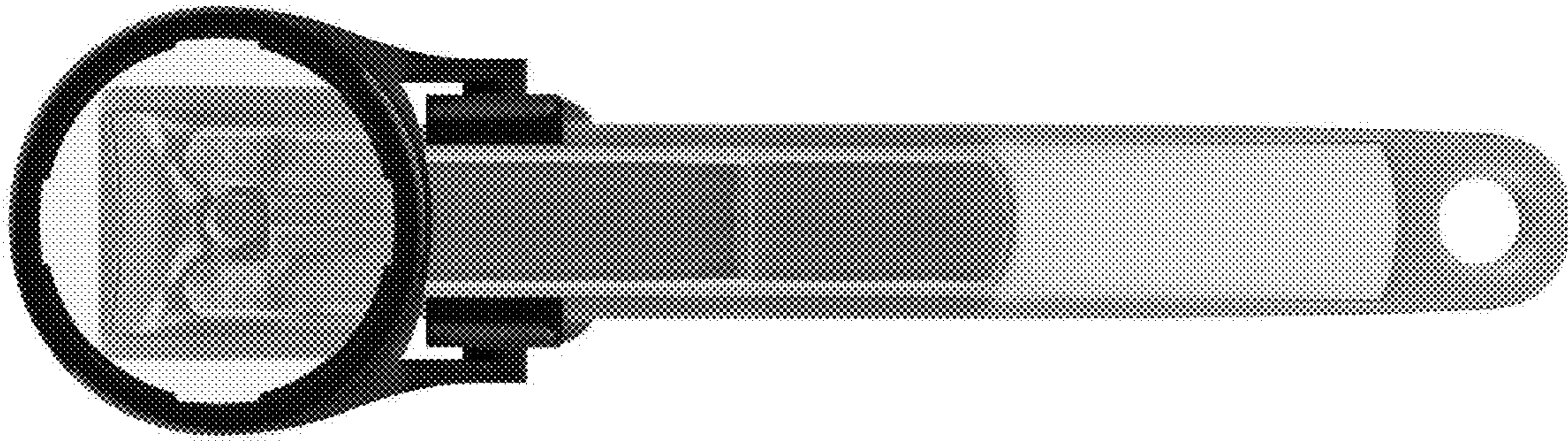


FIG. 6

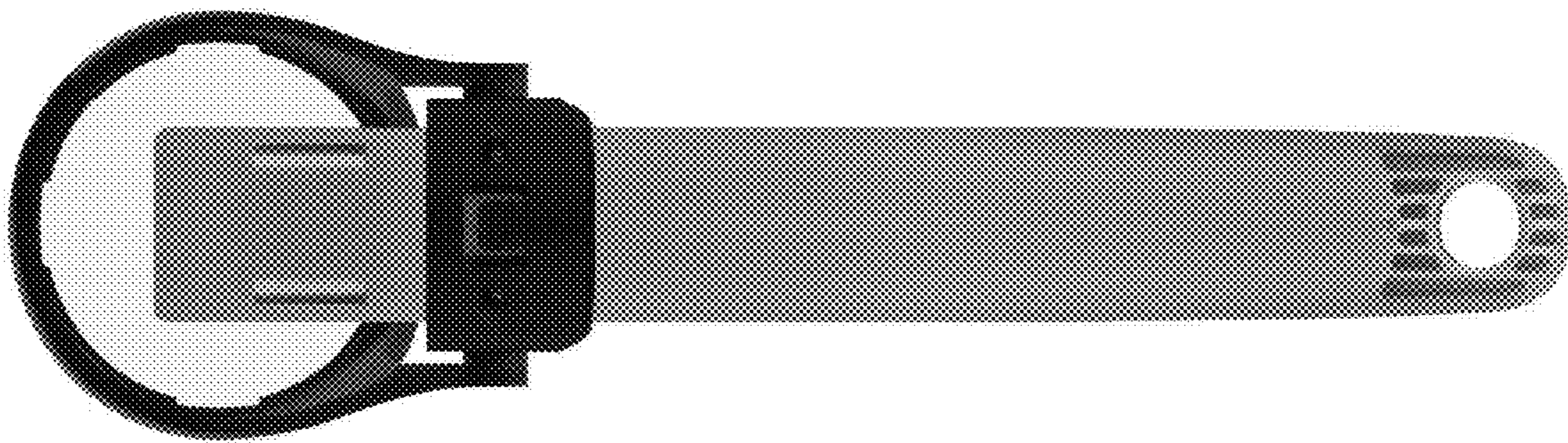


FIG. 7

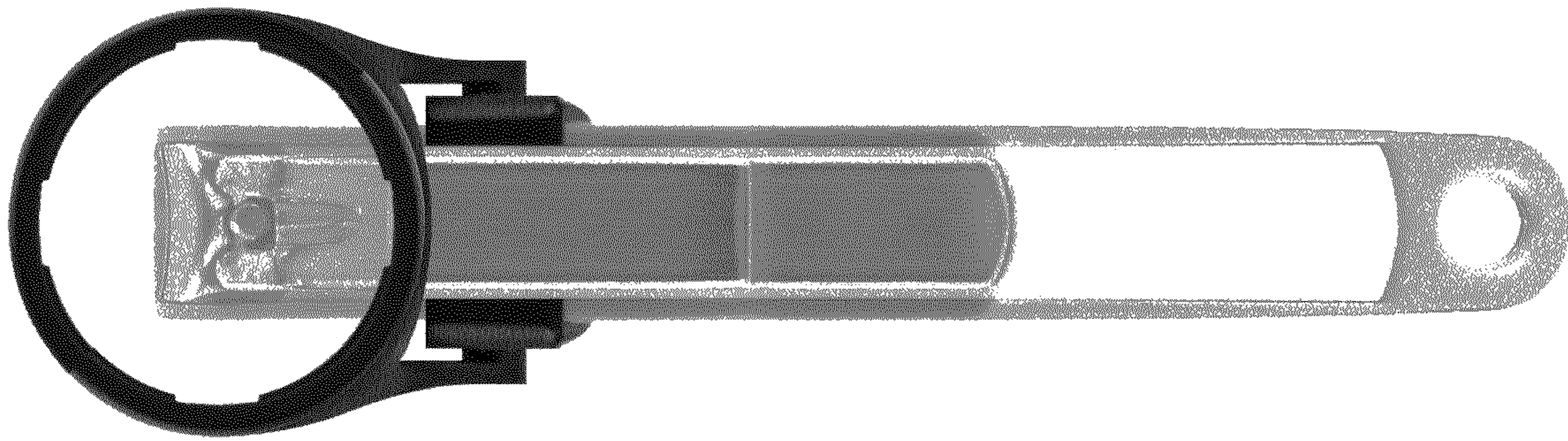


FIG. 8