

US00D848072S

(12) **United States Design Patent** (10) **Patent No.:** **US D848,072 S**
Prat-Pfister (45) **Date of Patent:** **** May 7, 2019**

(54) **TWO HEAD DRY SHAVER** D637,759 S * 5/2011 Byun D28/50
D651,746 S * 1/2012 Prat-Pfister D28/50
(71) Applicant: **KONINKLIJKE PHILIPS N.V.**, D675,779 S * 2/2013 Vetu D28/50
Eindhoven (NL) D695,961 S * 12/2013 Prat-Pfister D28/50
D696,817 S * 12/2013 Prat-Pfister D28/50
(72) Inventor: **Gaël Louis Jacques Prat-Pfister**, D720,886 S * 1/2015 Prat-Pfister D28/50
Amersfoort (NL) D721,204 S * 1/2015 Prat-Pfister D28/50
D748,858 S * 2/2016 Prat-Pfister D28/50
D758,660 S * 6/2016 Prat-Pfister D28/50
(73) Assignee: **KONINKLIJKE PHILIPS N.V.**, D777,376 S * 1/2017 Frankel D28/50
Eindhoven (NL) D808,591 S * 1/2018 Prat-Pfister D28/50
D821,032 S * 6/2018 Prat-Pfister D28/50
(**) Term: **15 Years** 2011/0067243 A1 * 3/2011 Darwinkel B26B 19/14
30/42

(21) Appl. No.: **29/619,507**

FOREIGN PATENT DOCUMENTS

(22) Filed: **Sep. 29, 2017**

EP 3103600 A1 * 12/2016 B26B 19/14
WO WO-2014020500 A1 * 2/2014 B26B 19/14

(30) **Foreign Application Priority Data**

Mar. 31, 2017 (EM) 003832427-0024

* cited by examiner

Primary Examiner — Jennifer Rivard

(51) **LOC (11) Cl.** **28-03**

(52) **U.S. Cl.**
USPC **D28/50**

(57) **CLAIM**

The ornamental design for a two head dry shaver, as shown.

(58) **Field of Classification Search**
USPC D28/49–54
CPC B26B 19/14; B26B 19/141; B26B 19/143;
B26B 19/145; B26B 19/146; B26B
19/148; B26B 19/3853; B26B 19/386
See application file for complete search history.

DESCRIPTION

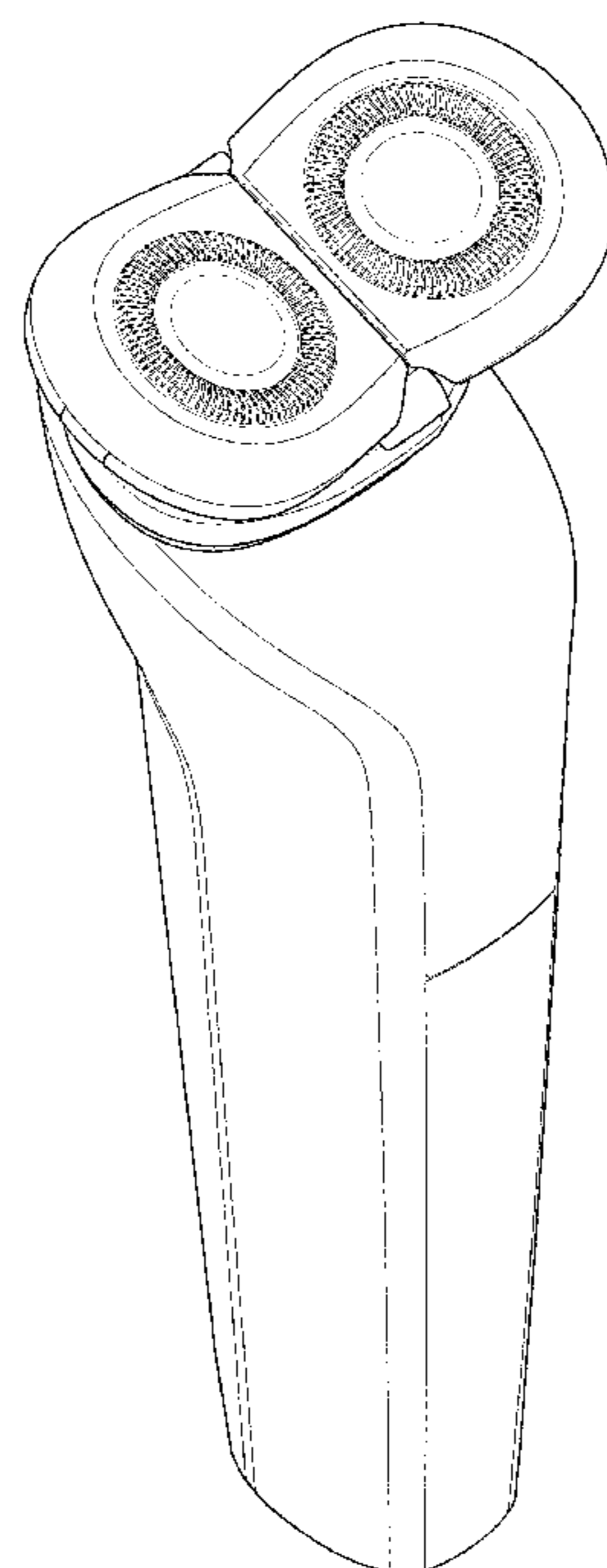
FIG. 1 is a perspective view showing my design;
FIG. 2 is a right side elevational view thereof;
FIG. 3 is a left side elevational view thereof;
FIG. 4 is a front elevational view thereof;
FIG. 5 is a rear elevational view thereof;
FIG. 6 is a top plan view thereof; and,
FIG. 7 is a bottom plan view thereof.

(56) **References Cited**

U.S. PATENT DOCUMENTS

D544,999 S * 6/2007 Prat-Pfister D28/50
D549,873 S * 8/2007 Prat-Pfister D28/50

1 Claim, 6 Drawing Sheets



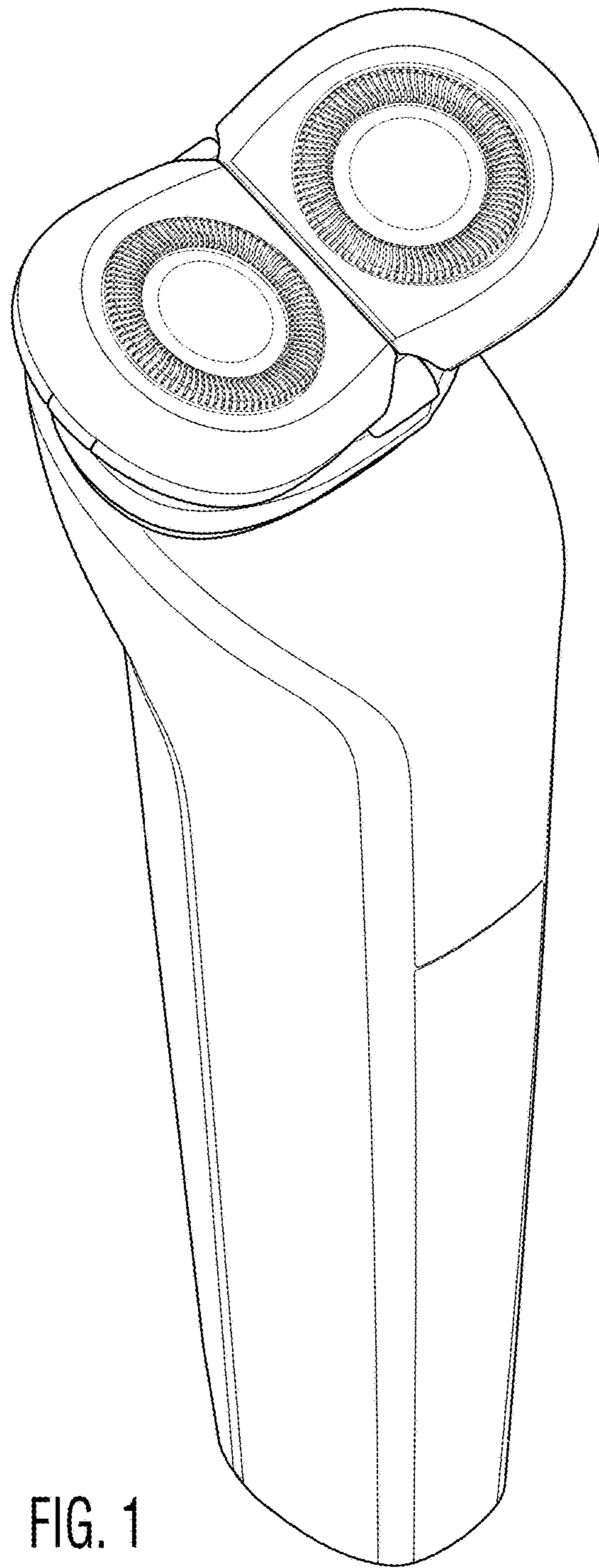


FIG. 1

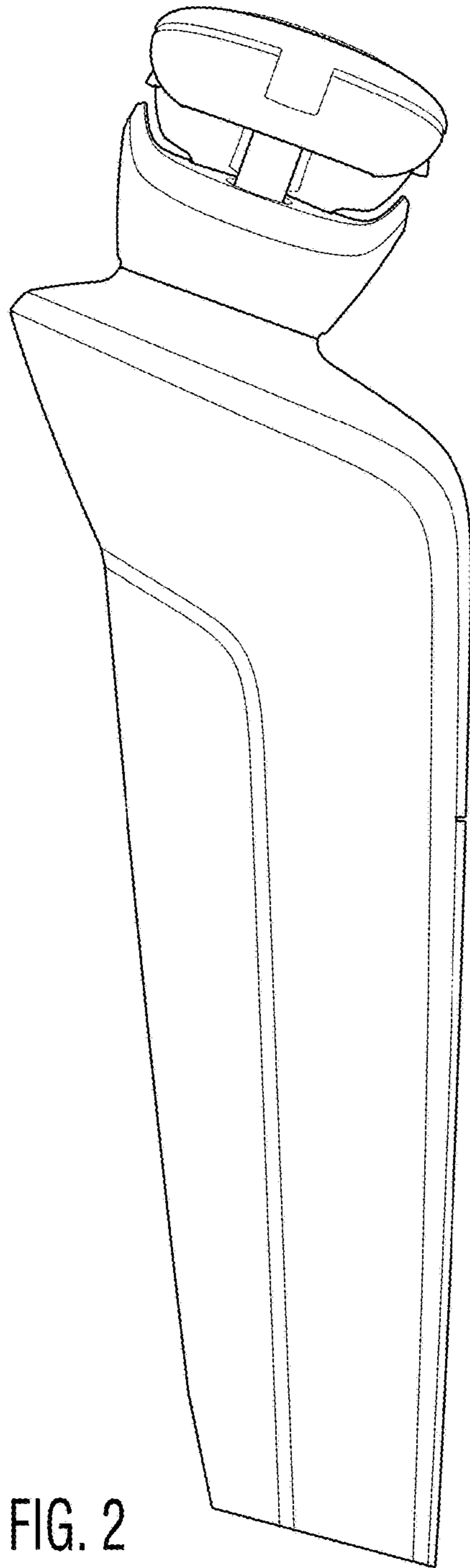


FIG. 2

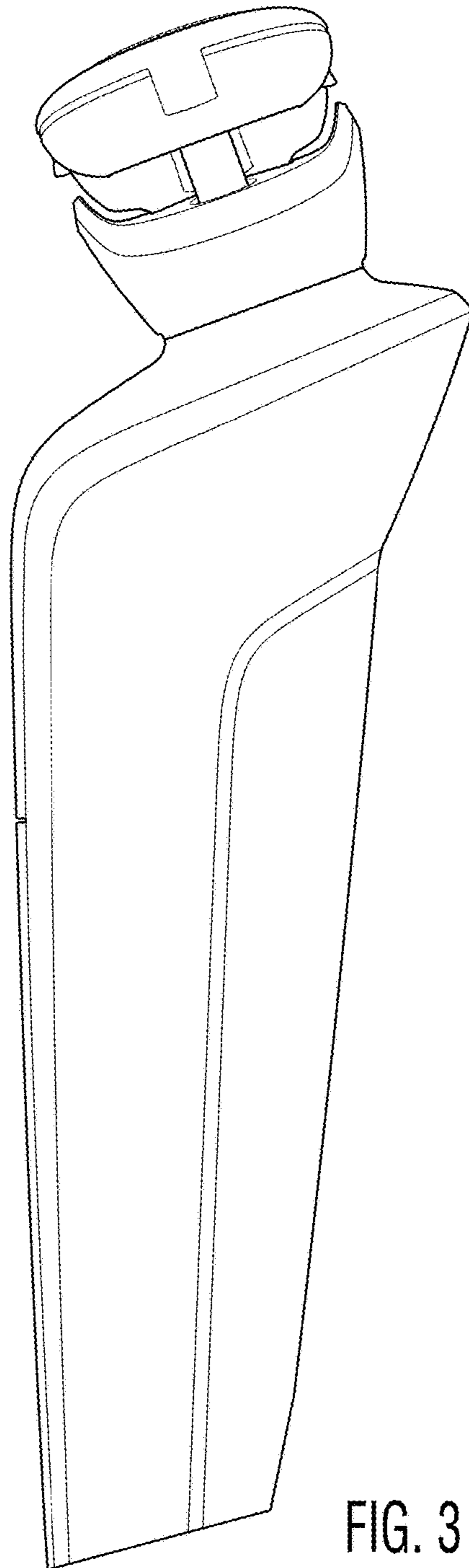


FIG. 3

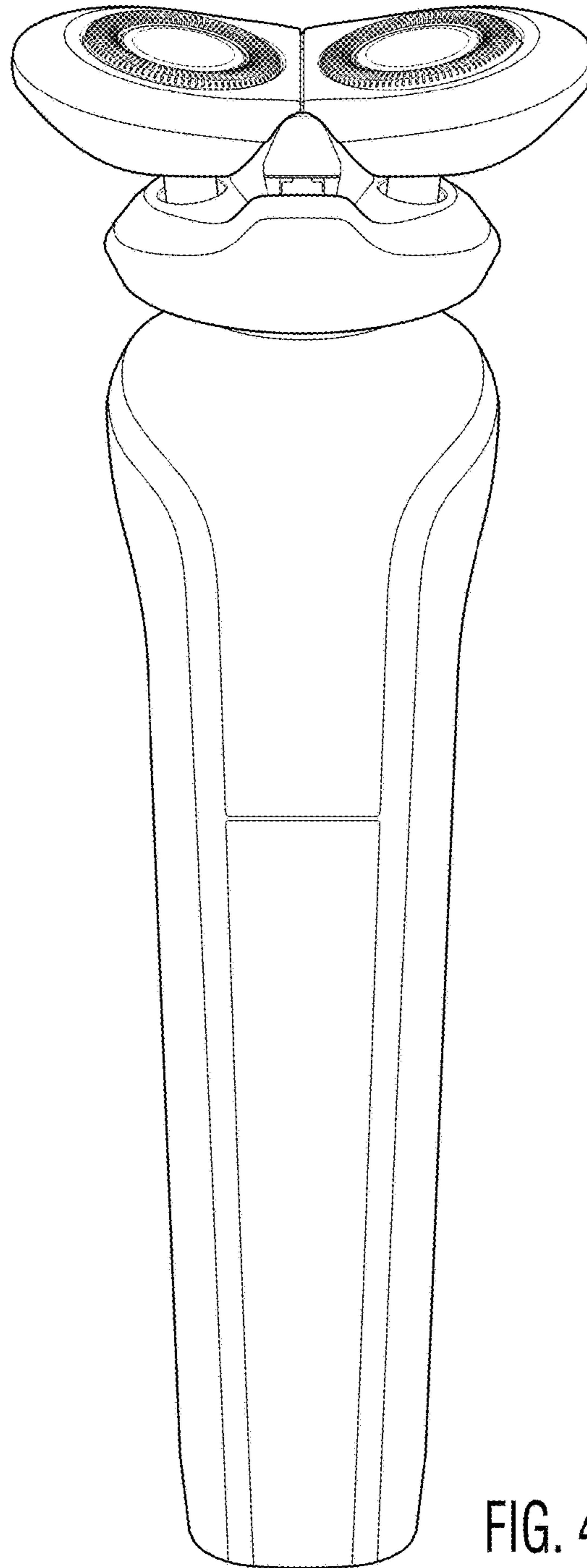


FIG. 4

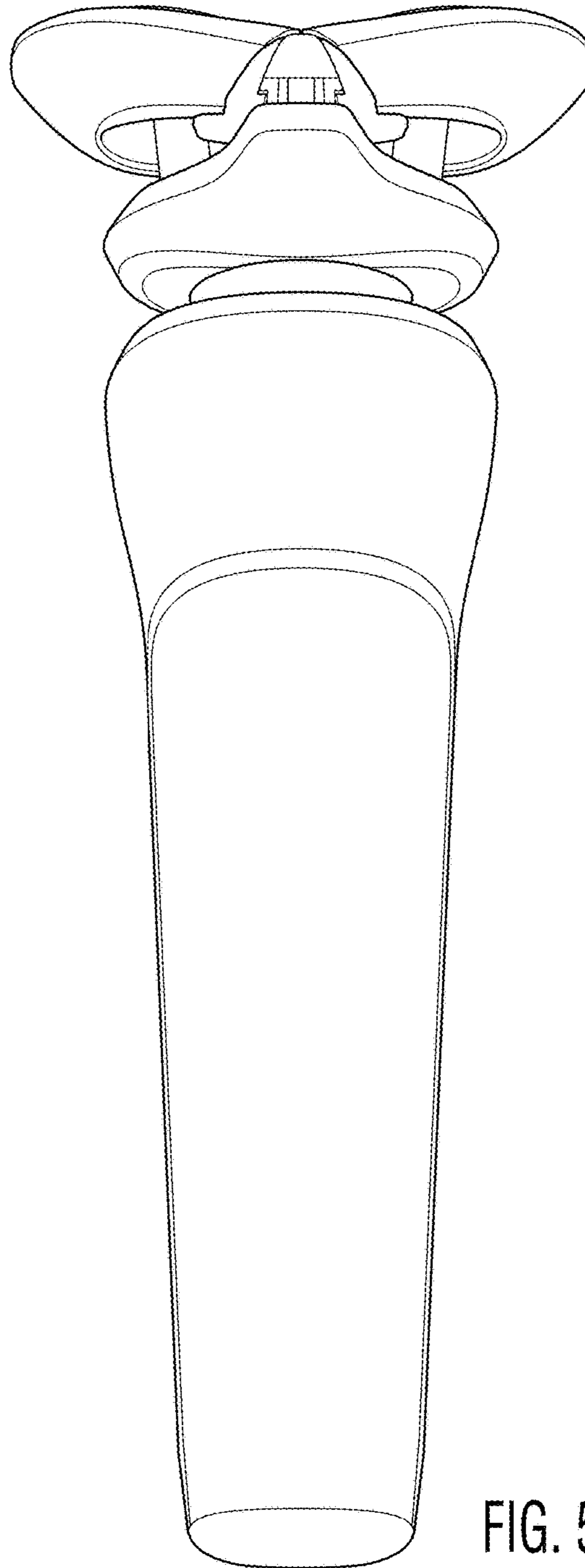


FIG. 5

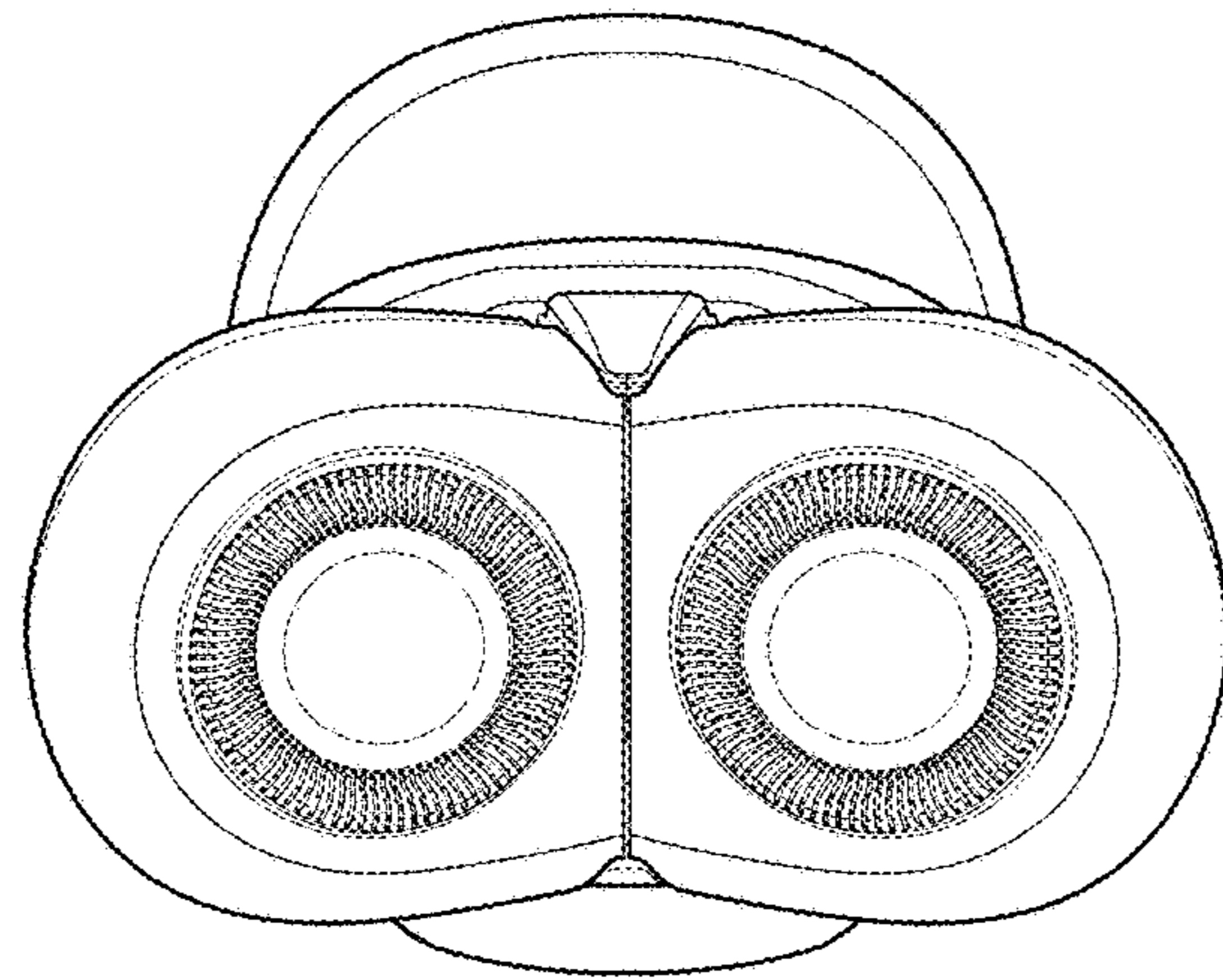


FIG. 6

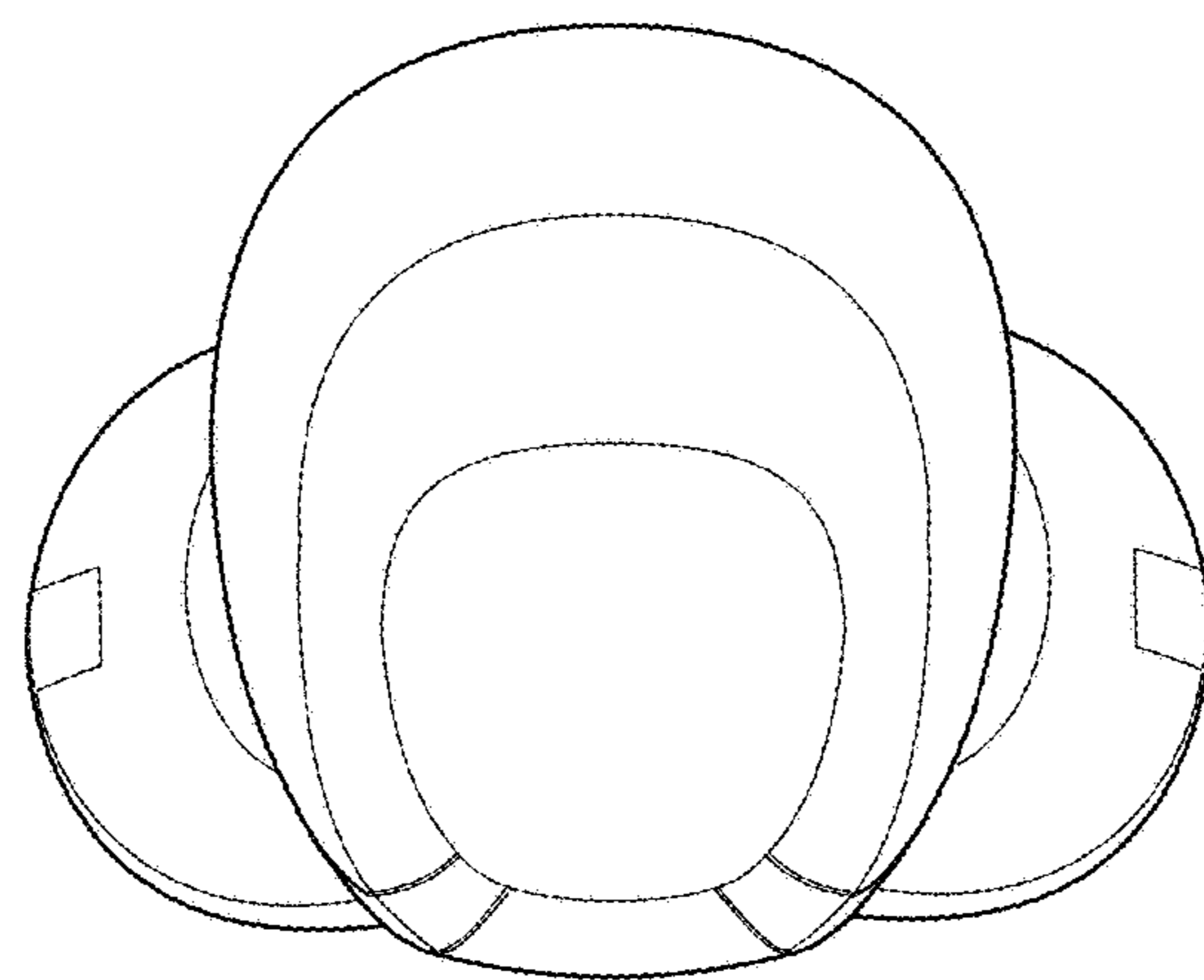


FIG. 7