



US00D848070S

(12) **United States Design Patent** (10) **Patent No.:** **US D848,070 S**  
**Bok** (45) **Date of Patent:** **\*\* May 7, 2019**

(54) **RAZOR** 3,430,341 A \* 3/1969 Choate ..... B26B 21/24  
 30/346.57  
 (71) Applicant: **Park Seung Bok**, Incheon (KR) 3,722,091 A \* 3/1973 Gagnon ..... B26B 21/24  
 30/346.57  
 (72) Inventor: **Park Seung Bok**, Incheon (KR) D451,642 S \* 12/2001 Wagstaff ..... D28/48  
 D604,903 S \* 11/2009 Modolo ..... D28/46  
 (\*\*) Term: **15 Years** D699,394 S \* 2/2014 Woon ..... D28/46  
 D765,912 S \* 9/2016 Thi Minh Vinh ..... D28/48  
 (21) Appl. No.: **35/503,427** D802,842 S \* 11/2017 Ngo ..... D28/48  
 D815,776 S \* 4/2018 Ngo ..... D28/48  
 D816,271 S \* 4/2018 Huang ..... D28/46

\* cited by examiner

(80) **Hague Agreement Data**

Int. Filing Date: **Apr. 28, 2017**  
 Int. Reg. No.: **DM/096925**  
 Int. Reg. Date: **Apr. 28, 2017**  
 Int. Reg. Pub. Date: **Jul. 28, 2017**

*Primary Examiner* — Richard E Chilcot  
 (74) *Attorney, Agent, or Firm* — Joseph J. Mayo; ARC IP  
 Law, PC

(51) **LOC (11) Cl.** ..... **28-03**  
 (52) **U.S. Cl.**  
 USPC ..... **D28/46**  
 CPC ..... **B26B 21/24** (2013.01)

(57) **CLAIM**

The ornamental design for a razor, as shown and described.

(58) **Field of Classification Search**  
 USPC ..... D28/46–48  
 CPC ..... B26B 21/24  
 See application file for complete search history.

**DESCRIPTION**

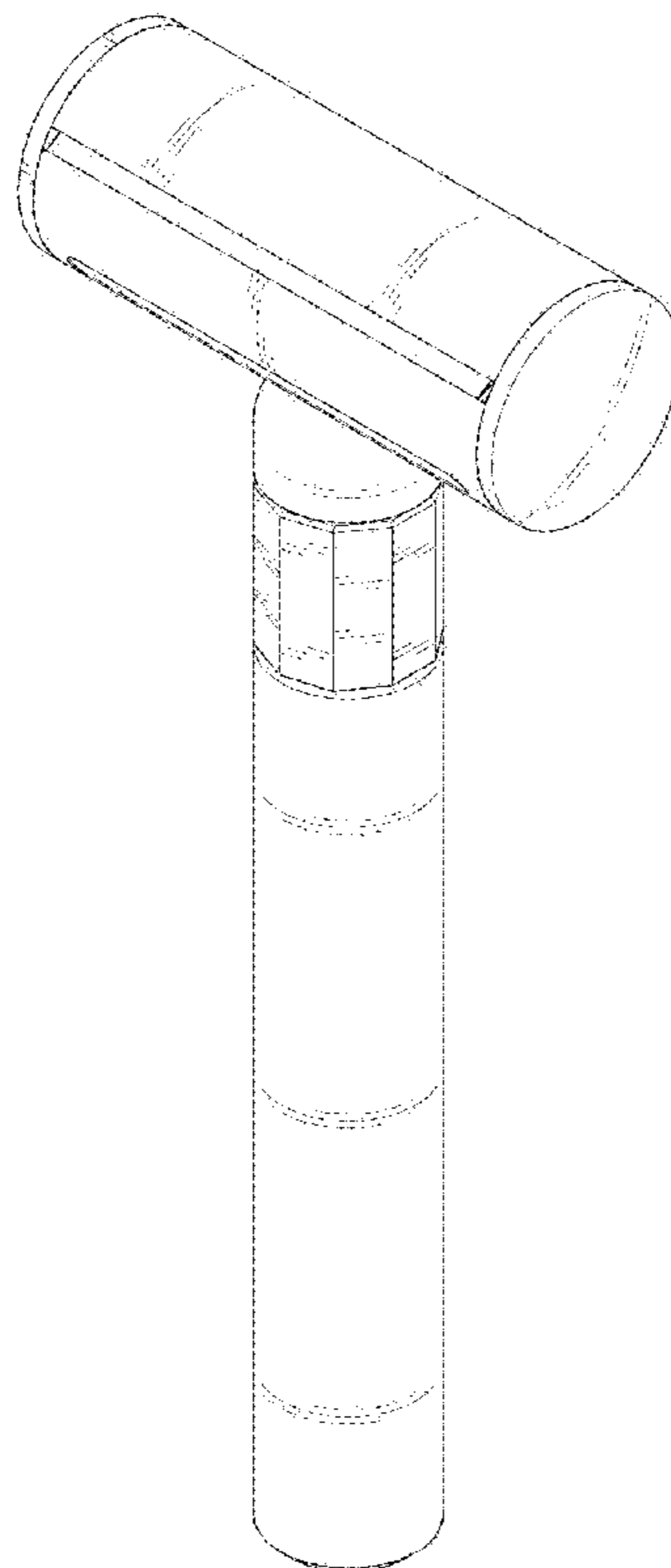
(56) **References Cited**

U.S. PATENT DOCUMENTS

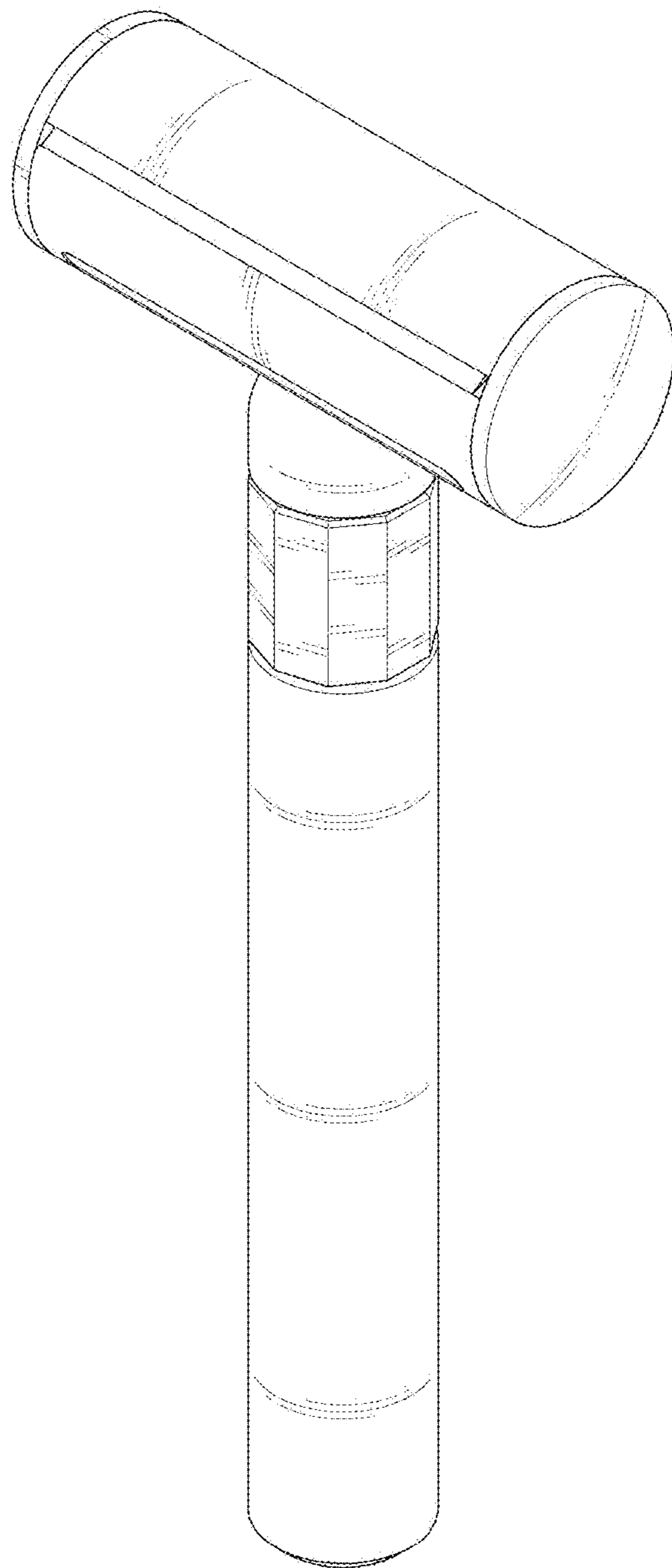
D178,898 S \* 10/1956 Nigro ..... D28/48  
 3,137,940 A \* 6/1964 Curci ..... B26B 21/24  
 30/32

- 1. Razor
- 1.1 : Perspective
- 1.2 : Front
- 1.3 : Back
- 1.4 : Top
- 1.5 : Bottom
- 1.6 : Left
- 1.7 : Right
- 1.8 : Exploded

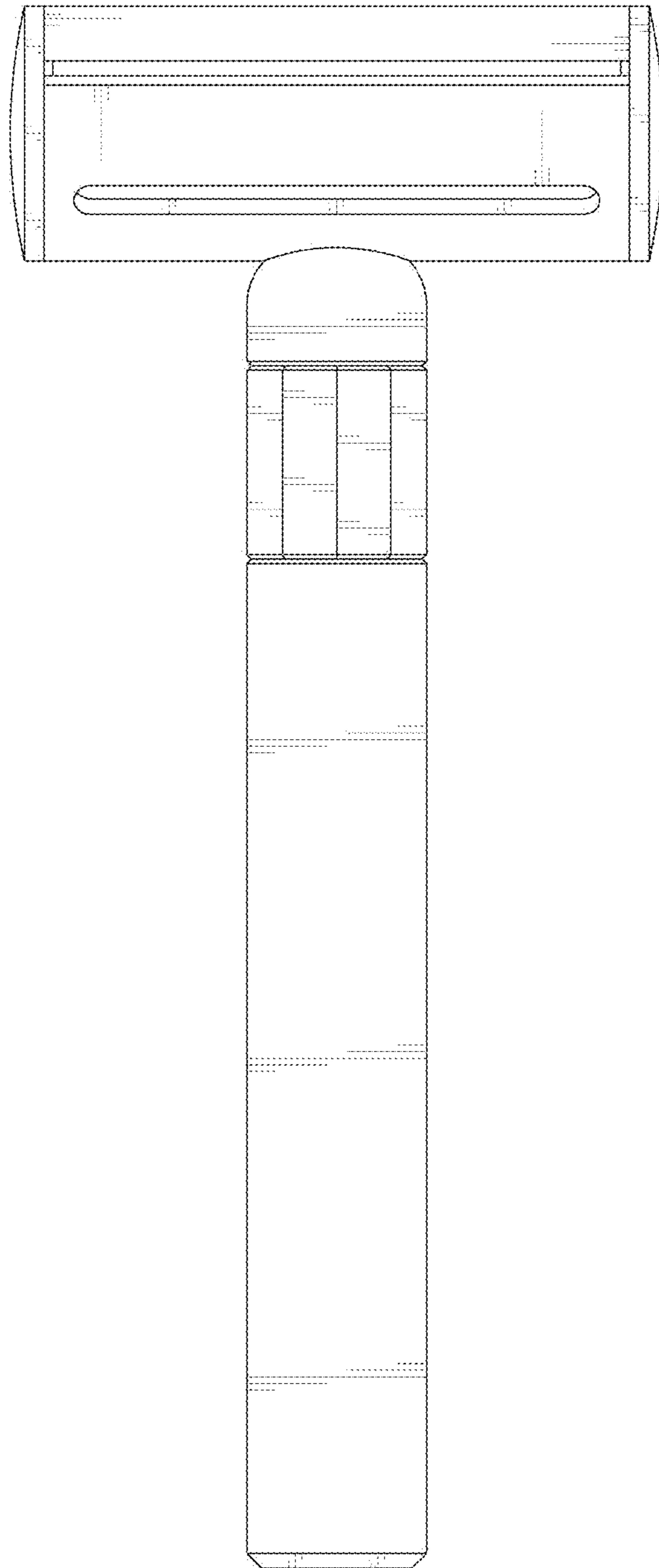
**1 Claim, 8 Drawing Sheets**



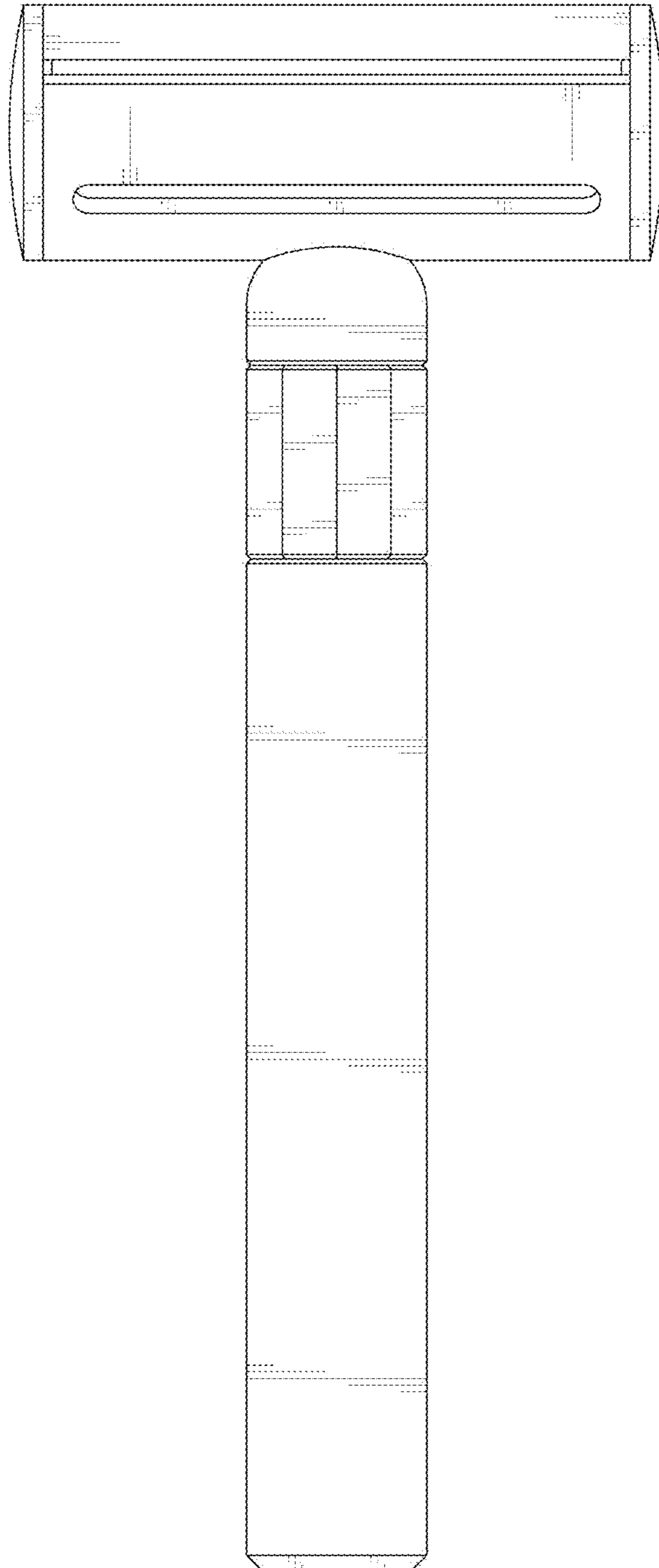
1.1



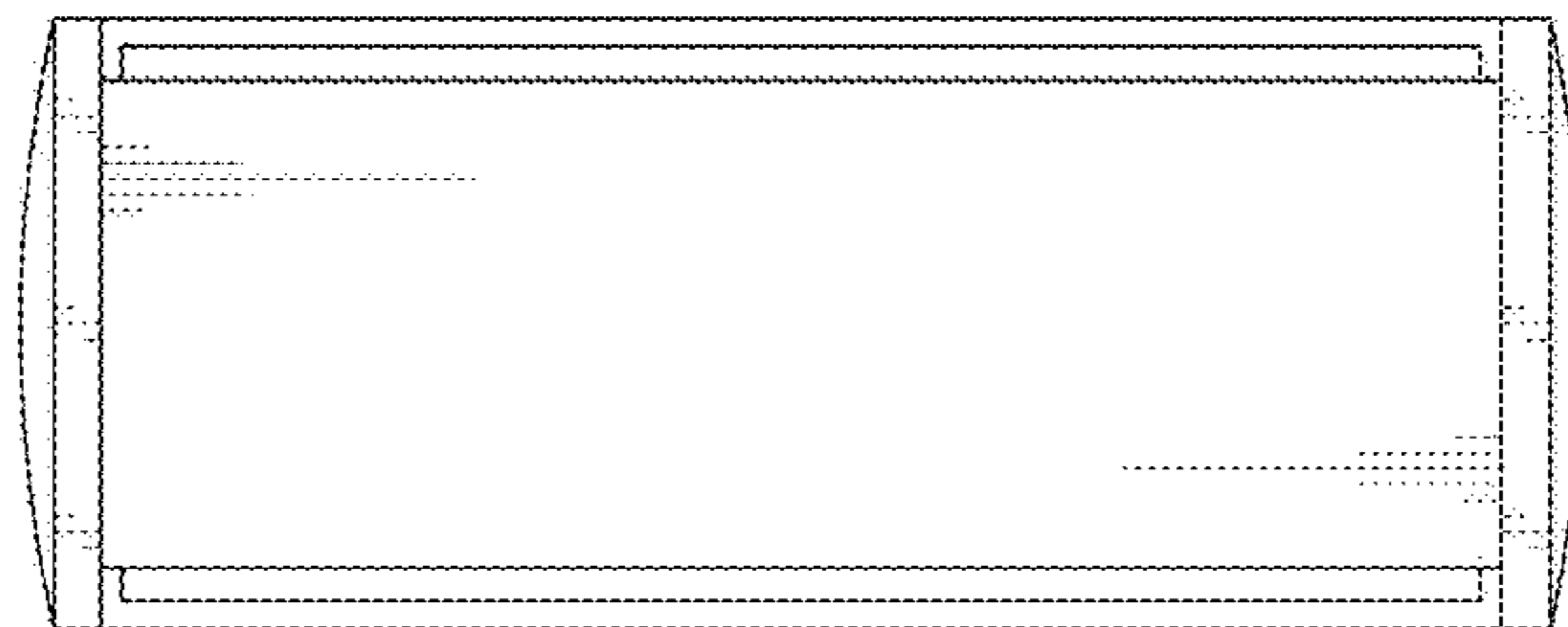
1.2



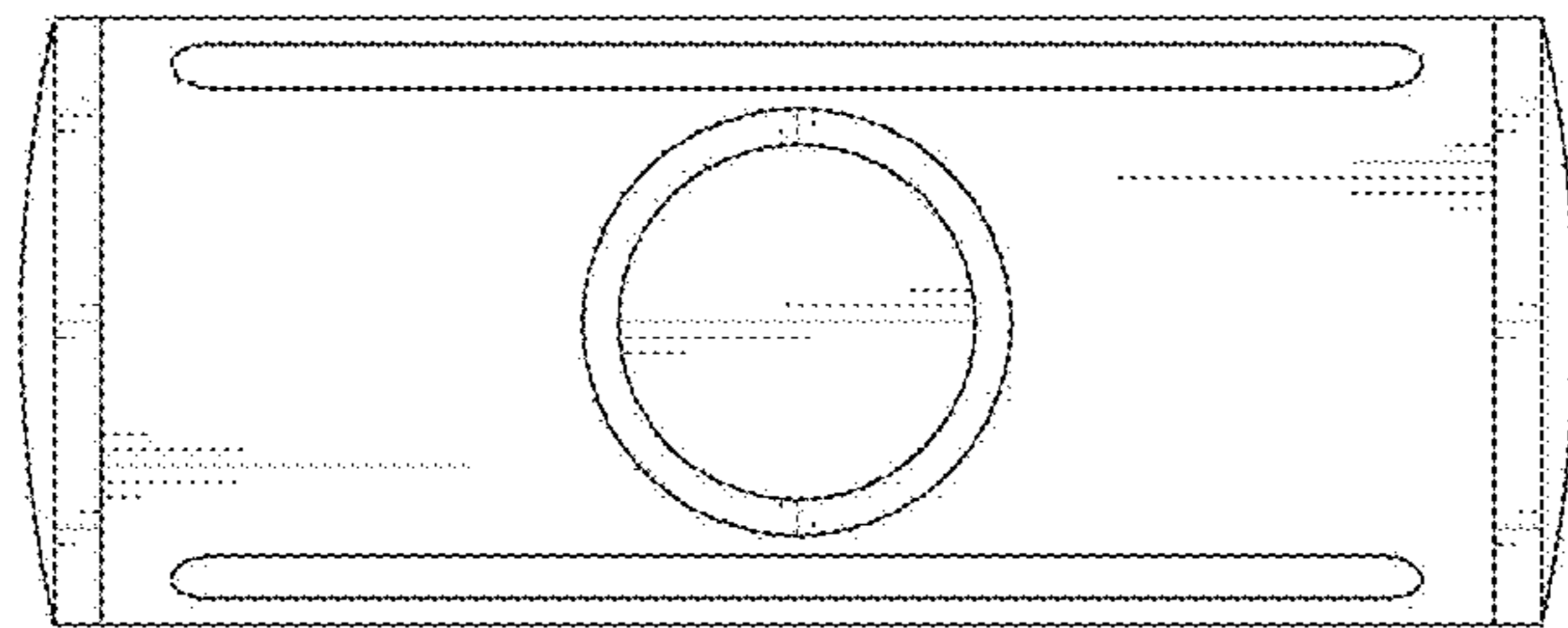
1.3



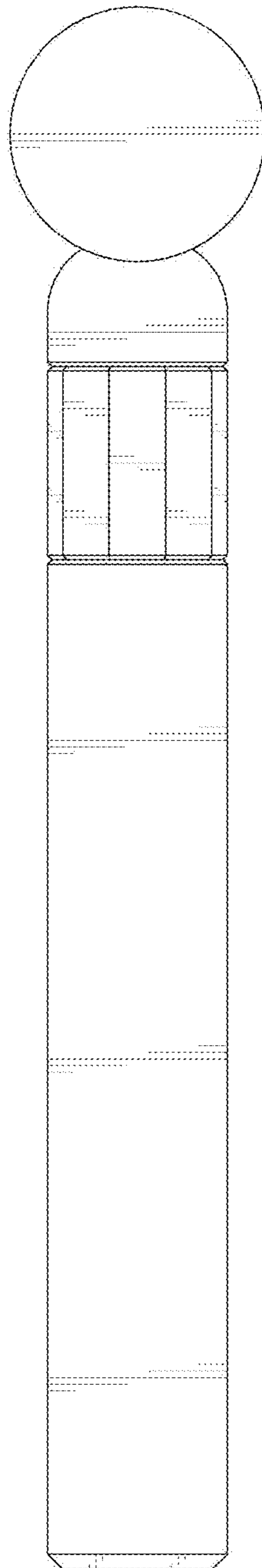
1.4



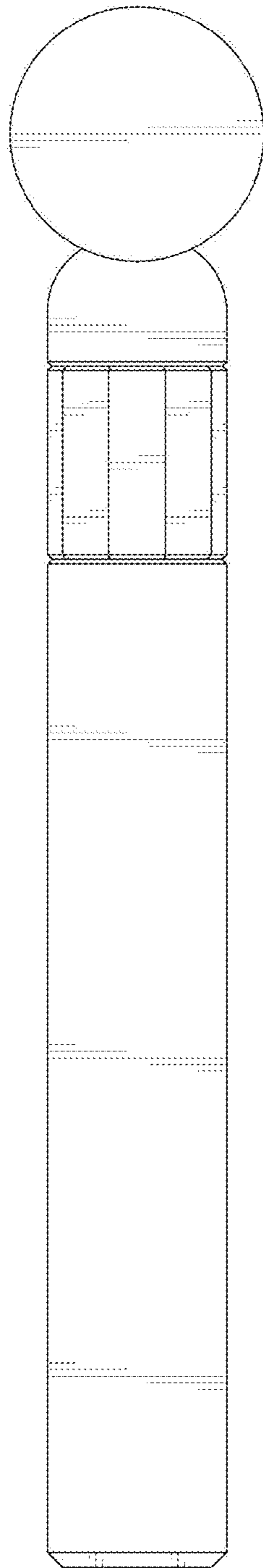
1.5



1.6



1.7





1.8

