



US00D848068S

(12) **United States Design Patent** (10) **Patent No.:** **US D848,068 S**
Heffer et al. (45) **Date of Patent:** **** *May 7, 2019**

(54) **ACCESSORY FOR HAIR STYLING AND HAIR CARE APPARATUS**

4,232,454 A * 11/1980 Springer A45D 20/122
239/455

(71) Applicant: **Dyson Technology Limited**, Wiltshire (GB)

D259,665 S 6/1981 Cousins
D277,417 S 1/1985 Wistrand
D322,892 S 1/1992 Kwok-Fai Au
5,157,757 A * 10/1992 McDougall A45D 20/122
239/455

(72) Inventors: **Jonathan James Harvey Heffer**, Swindon (GB); **Robert Mark Brett Coulton**, Bristol (GB); **Daniel John Thompson**, Bristol (GB); **Annamarie Rita Nicolson**, Bristol (GB)

D386,816 S 11/1997 Seifert
(Continued)

OTHER PUBLICATIONS

(73) Assignee: **Dyson Technology Limited**, Malmesbury, Wiltshire (GB)

Coulton et al, U.S. Office Action dated Sep. 14, 2018, directed to U.S. Appl. No. 29/627,694; 9 pages.

(Continued)

(*) Notice: This patent is subject to a terminal disclaimer.

Primary Examiner — Susan Bennett Hattan

Assistant Examiner — Rebecca Tsehaye

(**) Term: **15 Years**

(74) *Attorney, Agent, or Firm* — Morrison & Foerster LLP

(21) Appl. No.: **29/627,713**

(22) Filed: **Nov. 29, 2017**

(57) **CLAIM**

(30) **Foreign Application Priority Data**

May 30, 2017 (EM) 004024404-0001

We claim the ornamental design for an accessory for hair styling and hair care apparatus, as shown and described.

(51) **LOC (11) Cl.** **28-03**

(52) **U.S. Cl.**
USPC **D28/18**

DESCRIPTION

(58) **Field of Classification Search**
USPC D28/18, 10, 12, 15; D32/31, 21, 25;
34/96, 97, 98; 132/210, 211, 227, 226,
132/229
CPC ... A45D 6/02; A45D 6/00; A45D 7/00; A45D
7/02; A45D 4/04; A45D 4/00; A45D
4/08; A45D 4/10; A45D 4/12; A45D
1/04; A45D 20/12
See application file for complete search history.

FIG. 1 is top perspective view of an accessory for hair styling and hair care apparatus showing our new design; FIG. 2 is a bottom perspective view thereof; FIG. 3 is a side view thereof; FIG. 4 is a top view thereof; FIG. 5 is a bottom view thereof; FIG. 6 is a front view thereof; and, FIG. 7 is a rear view thereof.

The view opposite the side view of FIG. 3 is a mirror image thereof and, therefore, is omitted.

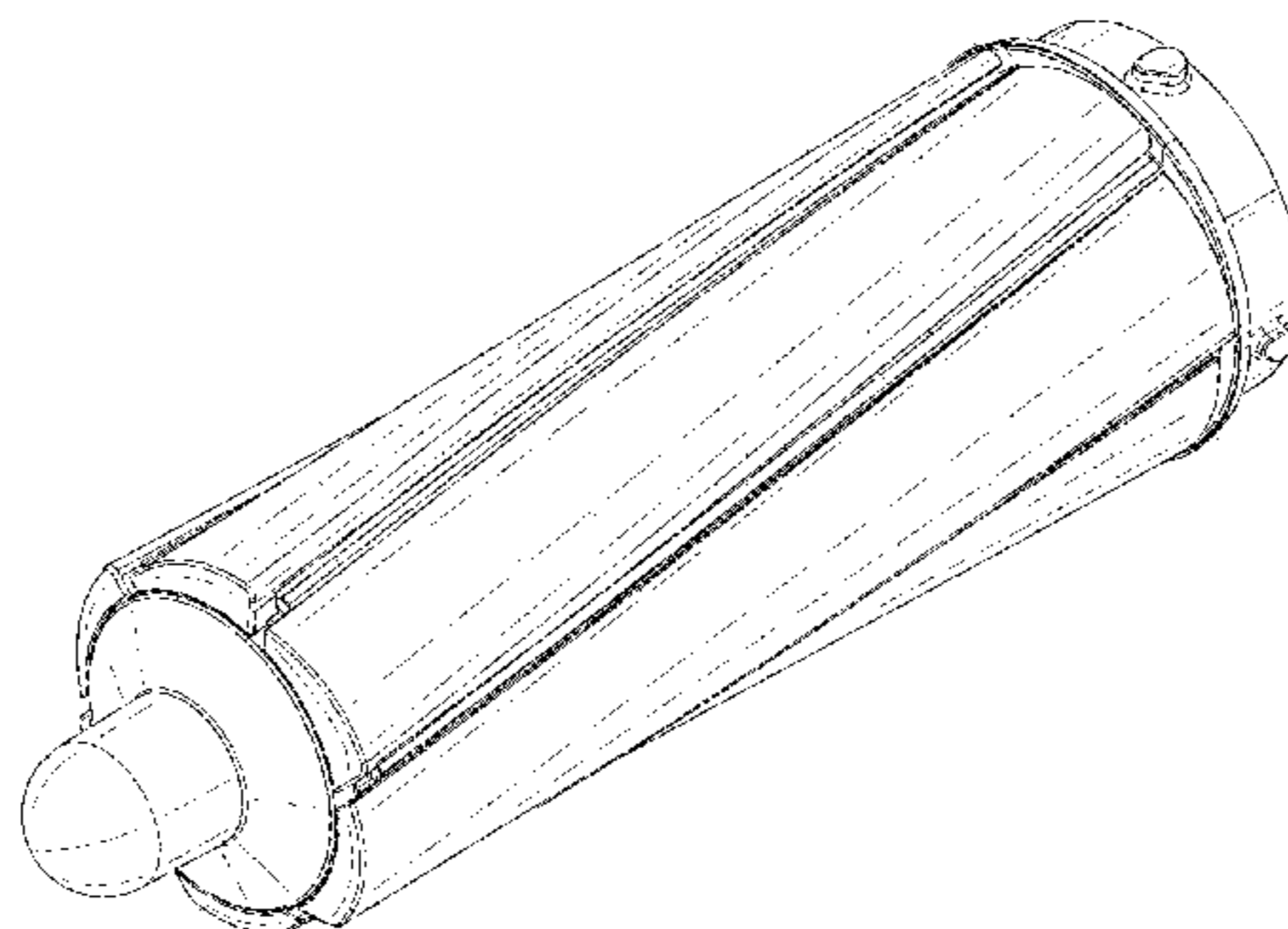
The broken lines in the drawings depict portions of the accessory for hair styling and hair care apparatus that form no part of the claimed design.

(56) **References Cited**

U.S. PATENT DOCUMENTS

D256,280 S * 8/1980 Haase D28/13
D256,846 S 9/1980 Haase

1 Claim, 7 Drawing Sheets



(56)

References Cited

U.S. PATENT DOCUMENTS

D398,073 S 9/1998 Kip
 D398,074 S * 9/1998 Nosenchuck D28/13
 D409,796 S 5/1999 Moreno
 D425,663 S 5/2000 Greubel et al.
 D439,012 S 3/2001 McCurrach
 D439,701 S 3/2001 Engelen
 D448,115 S 9/2001 White
 D457,730 S 5/2002 McCurrach
 6,460,272 B2 * 10/2002 Cheng F26B 21/001
 34/96
 D476,443 S 6/2003 Ohta et al.
 6,662,811 B2 12/2003 Mugge et al.
 D506,030 S 6/2005 Lai
 D510,192 S 10/2005 Kampel et al.
 6,962,159 B1 * 11/2005 Adam A45D 6/02
 132/210
 7,096,598 B1 8/2006 Myatt
 D557,017 S 12/2007 Kampel et al.
 D609,857 S 2/2010 Schmitz
 D676,600 S 2/2013 Thrasher, Jr.
 D700,018 S * 2/2014 Thrash D7/608
 D754,313 S * 4/2016 Ellis D23/364
 D775,418 S 12/2016 Stephens et al.
 D775,419 S 12/2016 Stephens et al.
 D776,345 S 1/2017 Tang
 D782,731 S 3/2017 Smith et al.
 D782,732 S 3/2017 Smith et al.
 D782,733 S 3/2017 Smith et al.
 D782,734 S 3/2017 Sutter et al.
 D790,785 S * 6/2017 Courtney D32/31
 D791,407 S 7/2017 Smith et al.
 D798,502 S 9/2017 Smith et al.
 D800,454 S 10/2017 Mathieu
 9,808,067 B2 11/2017 Sutter et al.
 D810,927 S * 2/2018 Ross D24/112
 D811,009 S 2/2018 Smith et al.
 D814,130 S * 3/2018 Taub D32/40
 D815,837 S 4/2018 Zhou
 D817,643 S 5/2018 Valle et al.
 9,986,810 B2 6/2018 Bobillier et al.
 D823,004 S 7/2018 Kuo
 D823,005 S 7/2018 Kuo
 10,021,951 B2 7/2018 Bobillier et al.
 10,028,574 B2 7/2018 Rennette
 2014/0083446 A1 * 3/2014 Julemont A45D 4/08
 132/211
 2016/0166033 A1 6/2016 Kerr et al.
 2016/0166035 A1 6/2016 Douglas et al.
 2016/0206075 A1 7/2016 Stephens et al.
 2016/0206076 A1 7/2016 Stephens et al.
 2016/0206077 A1 7/2016 Stephens et al.
 2016/0338464 A1 11/2016 Wilkinson et al.
 2016/0338465 A1 11/2016 Wilkinson et al.
 2017/0112256 A1 4/2017 Bobillier et al.
 2017/0164709 A1 6/2017 Laveni et al.
 2017/0273422 A1 * 9/2017 Heffer A45D 1/04
 2017/0273425 A1 9/2017 Stephens et al.
 2017/0273428 A1 9/2017 Nicolson et al.
 2017/0273429 A1 9/2017 Nicolson et al.
 2017/0273431 A1 9/2017 Courtney et al.
 2018/0055181 A1 3/2018 Spark et al.
 2018/0055184 A1 3/2018 McVeigh et al.

OTHER PUBLICATIONS

Coulton et al., U.S. Office Action dated Aug. 31, 2018, directed to U.S. Appl. No. 29/627,665; 8 pages.
 Coulton et al., U.S. Office Action dated Aug. 8, 2018, directed to U.S. Appl. No. 29/627,693; 9 pages.
 Coulton et al., U.S. Office Action dated Oct. 30, 2018, directed to U.S. Appl. No. 29/627,739; 7 pages.
 Coulton et al., U.S. Office Action dated Oct. 30, 2018, directed to U.S. Appl. No. 29/627,749; 7 pages.

Coulton et al., U.S. Office Action dated Oct. 30, 2018, directed to U.S. Appl. No. 29/627,752; 7 pages.
 Coulton et al., U.S. Office Action dated Oct. 30, 2018, directed to U.S. Appl. No. 29/627,754; 7 pages.
 Coulton et al., U.S. Office Action dated Oct. 30, 2018, directed to U.S. Appl. No. 29/627,773; 8 pages.
 Coulton et al., U.S. Office Action dated Sep. 10, 2018, directed to U.S. Appl. No. 29/627,690; 7 pages.
 Coulton et al., U.S. Office Action dated Sep. 14, 2018, directed to U.S. Appl. No. 29/627,707; 9 pages.
 Heffer et al., U.S. Office Action dated Aug. 16, 2018, directed to U.S. Appl. No. 29/627,688; 8 pages.
 Heffer et al., U.S. Office Action dated Aug. 16, 2018, directed to U.S. Appl. No. 29/627,712; 8 pages.
 Heffer et al., U.S. Office Action dated Aug. 16, 2018, directed to U.S. Appl. No. 29/627,730; 8 pages.
 Tappenden et al., U.S. Office Action dated Oct. 17, 2018, directed to U.S. Appl. No. 29/627,727; 6 pages.
 Tappenden et al., U.S. Office Action dated Aug. 8, 2018, directed to U.S. Appl. No. 29/627,660; 7 pages.
 Tappenden et al., U.S. Office Action dated Aug. 8, 2018, directed to U.S. Appl. No. 29/627,664; 7 pages.
 Tappenden et al., U.S. Office Action dated Aug. 8, 2018, directed to U.S. Appl. No. 29/627,668; 7 pages.
 Tappenden et al., U.S. Office Action dated Aug. 8, 2018, directed to U.S. Appl. No. 29/627,671; 7 pages.
 Tappenden et al., U.S. Office Action dated Aug. 8, 2018, directed to U.S. Appl. No. 29/627,673; 7 pages.
 Tappenden et al., U.S. Office Action dated Aug. 8, 2018, directed to U.S. Appl. No. 29/627,677; 7 pages.
 Tappenden et al., U.S. Office Action dated Aug. 8, 2018, directed to U.S. Appl. No. 29/627,678; 7 pages.
 Tappenden et al., U.S. Office Action dated Aug. 8, 2018, directed to U.S. Appl. No. 29/627,714; 7 pages.
 Tappenden et al., U.S. Office Action dated Nov. 14, 2018, directed to U.S. Appl. No. 29/627,741; 7 pages.
 Tappenden et al., U.S. Office Action dated Nov. 14, 2018, directed to U.S. Appl. No. 29/627,742; 7 pages.
 Tappenden et al., U.S. Office Action dated Nov. 14, 2018, directed to U.S. Appl. No. 29/627,743; 7 pages.
 Tappenden et al., U.S. Office Action dated Nov. 14, 2018, directed to U.S. Appl. No. 29/627,744; 7 pages.
 Tappenden et al., U.S. Office Action dated Oct. 1, 2018, directed to U.S. Appl. No. 29/627,717; 6 pages.
 Tappenden et al., U.S. Office Action dated Oct. 17, 2018, directed to U.S. Appl. No. 29/627,723; 6 pages.
 Tappenden et al., U.S. Office Action dated Oct. 17, 2018, directed to U.S. Appl. No. 29/627,731; 6 pages.
 Tappenden et al., U.S. Office Action dated Oct. 17, 2018, directed to U.S. Appl. No. 29/627,733; 6 pages.
 Tappenden et al., U.S. Office Action dated Oct. 17, 2018, directed to U.S. Appl. No. 29/627,734; 6 pages.
 Tappenden et al., U.S. Office Action dated Oct. 17, 2018, directed to U.S. Appl. No. 29/627,735; 6 pages.
 Tappenden et al., U.S. Office Action dated Sep. 27, 2018, directed to U.S. Appl. No. 29/627,700; 6 pages.
 Tappenden et al., U.S. Office Action dated Sep. 27, 2018, directed to U.S. Appl. No. 29/627,702; 6 pages.
 Tappenden et al., U.S. Office Action dated Sep. 27, 2018, directed to U.S. Appl. No. 29/627,705; 6 pages.
 Tappenden et al., U.S. Office Action dated Sep. 27, 2018, directed to U.S. Appl. No. 29/627,706; 6 pages.
 Tappenden et al., U.S. Office Action dated Sep. 27, 2018, directed to U.S. Appl. No. 29/627,710; 6 pages.
 Tappenden et al., U.S. Office Action dated Sep. 27, 2018, directed to U.S. Appl. No. 29/627,724; 6 pages.
 Tappenden et al., U.S. Office Action dated Sep. 27, 2018, directed to U.S. Appl. No. 29/627,725; 6 pages.
 Tappenden et al., U.S. Office Action dated Sep. 27, 2018, directed to U.S. Appl. No. 29/627,726; 6 pages.

(56)

References Cited

OTHER PUBLICATIONS

Tappenden et al., U.S. Office Action dated Sep. 28, 2018, directed to U.S. Appl. No. 29/627,719; 6 pages.

* cited by examiner

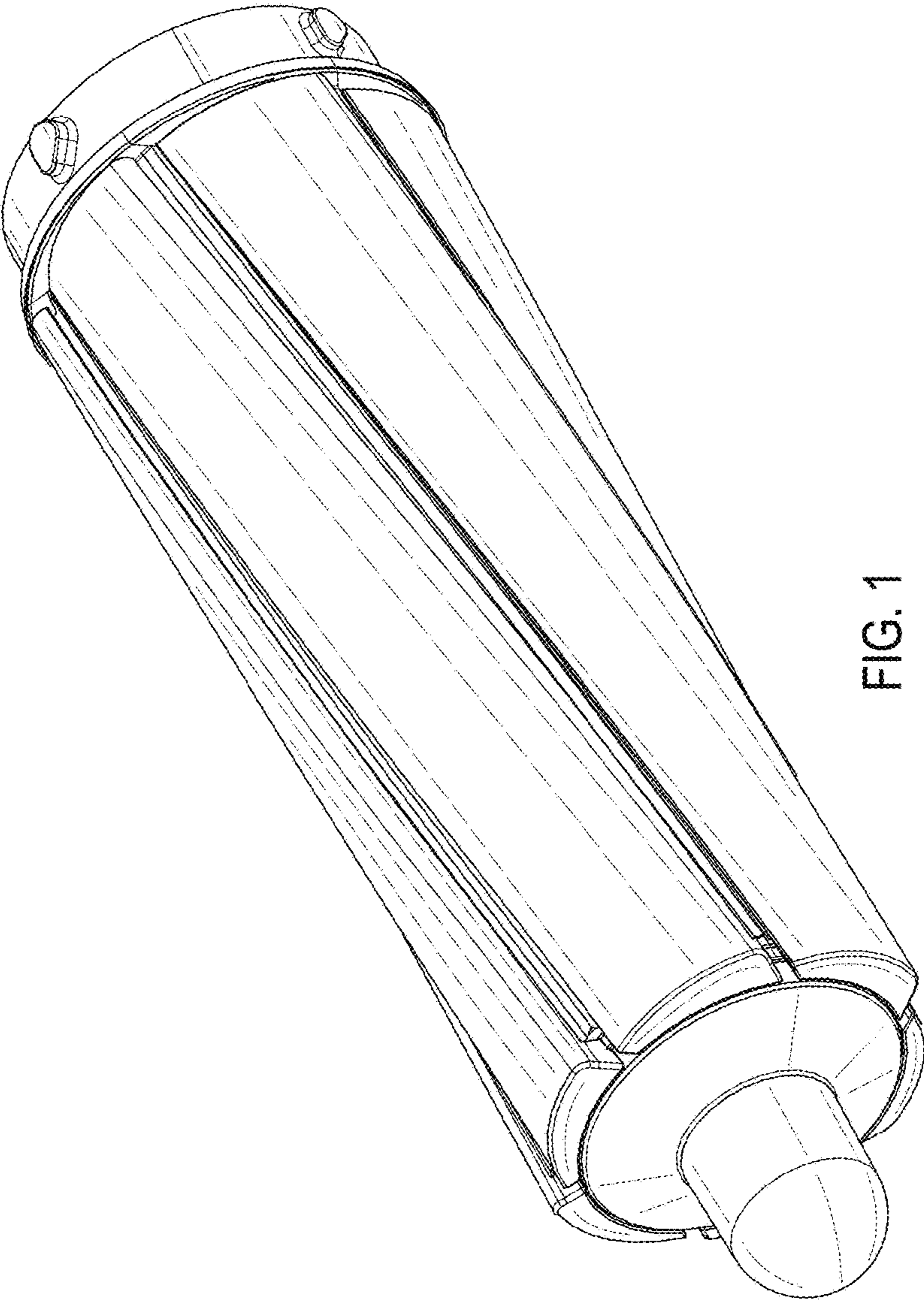


FIG. 1

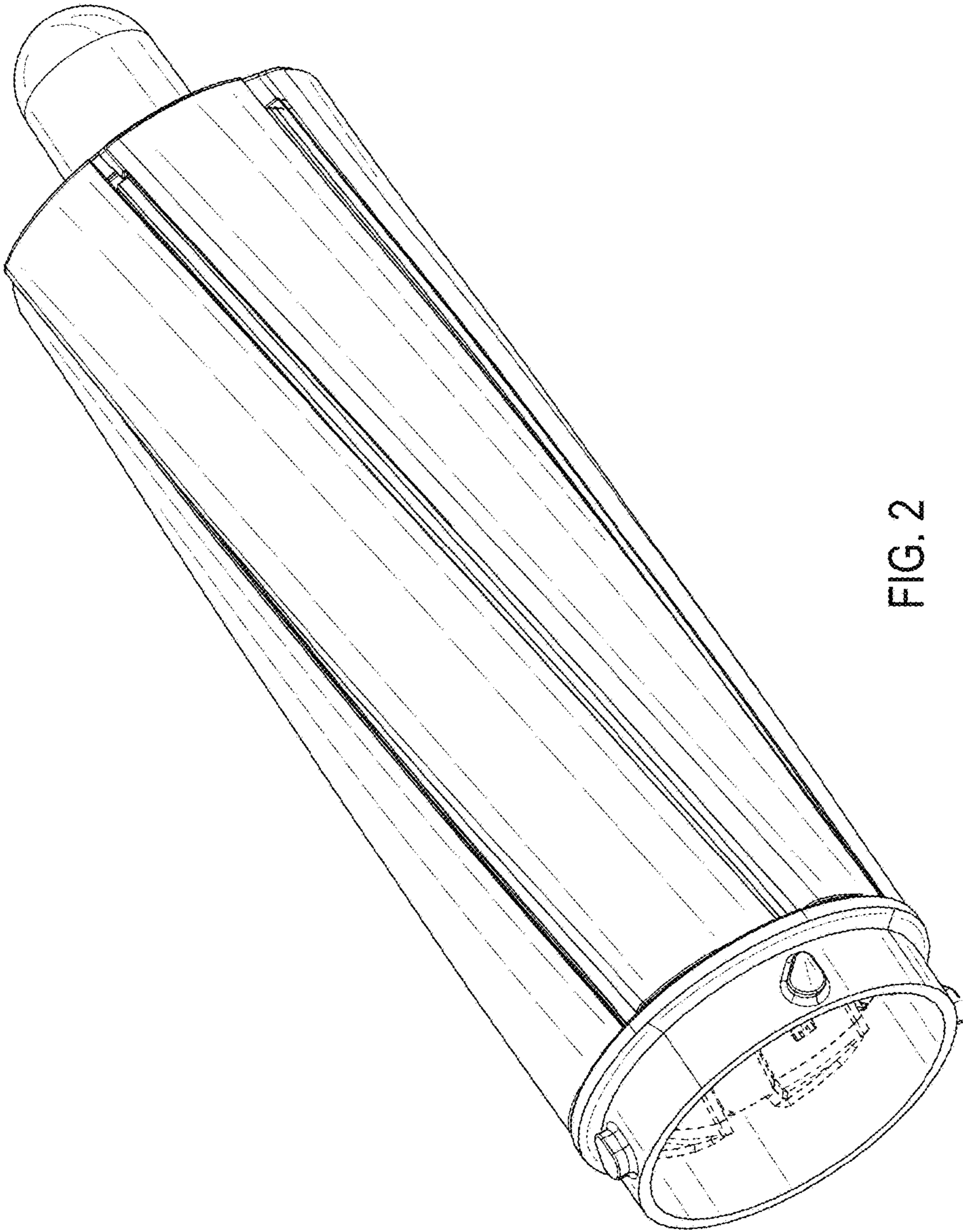


FIG. 2

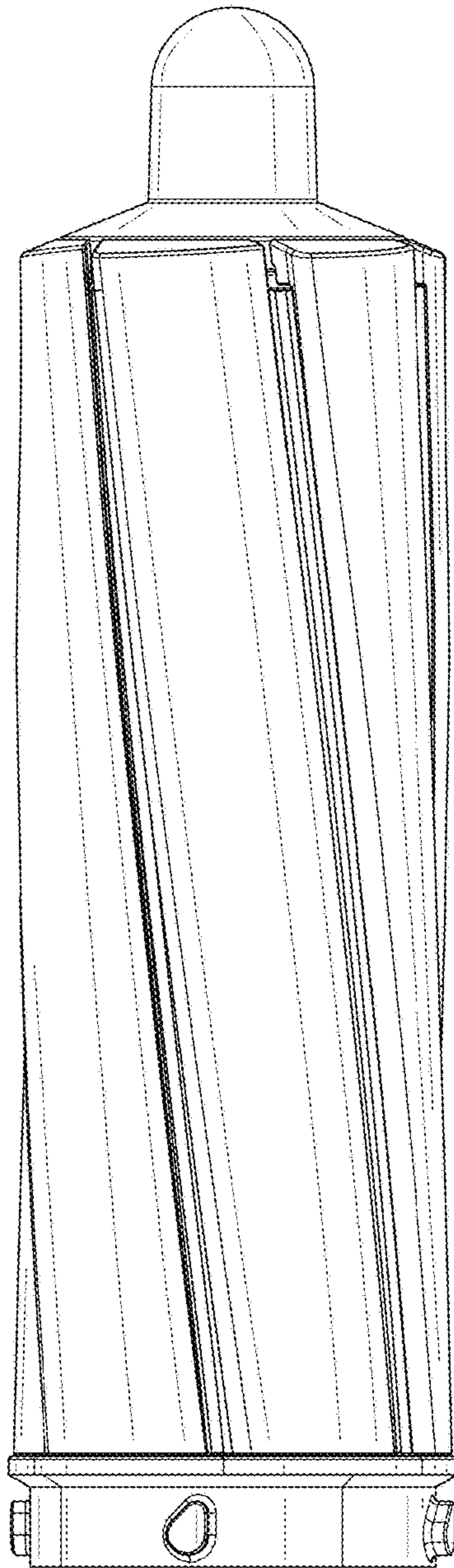


FIG. 3

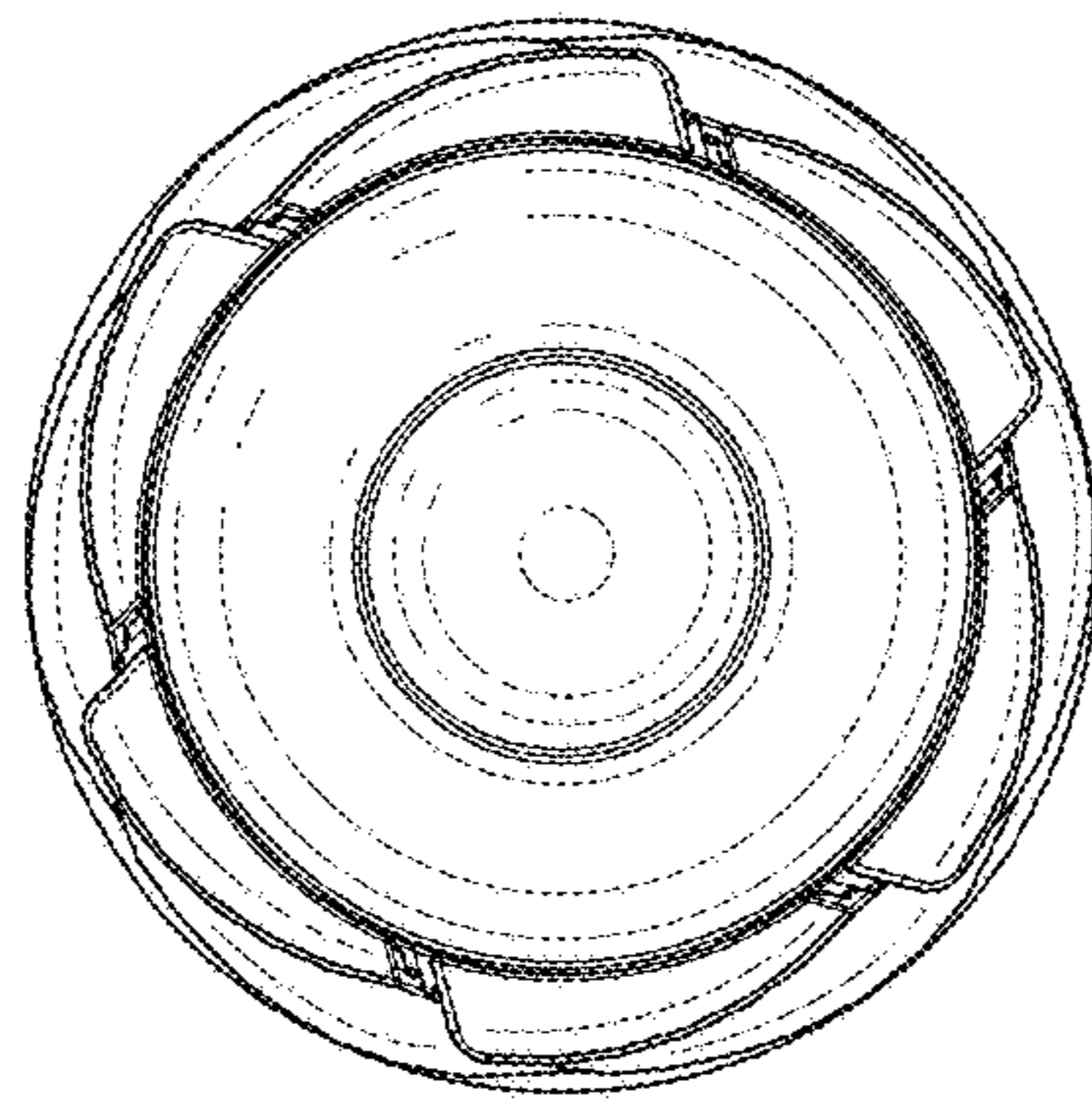


FIG. 4

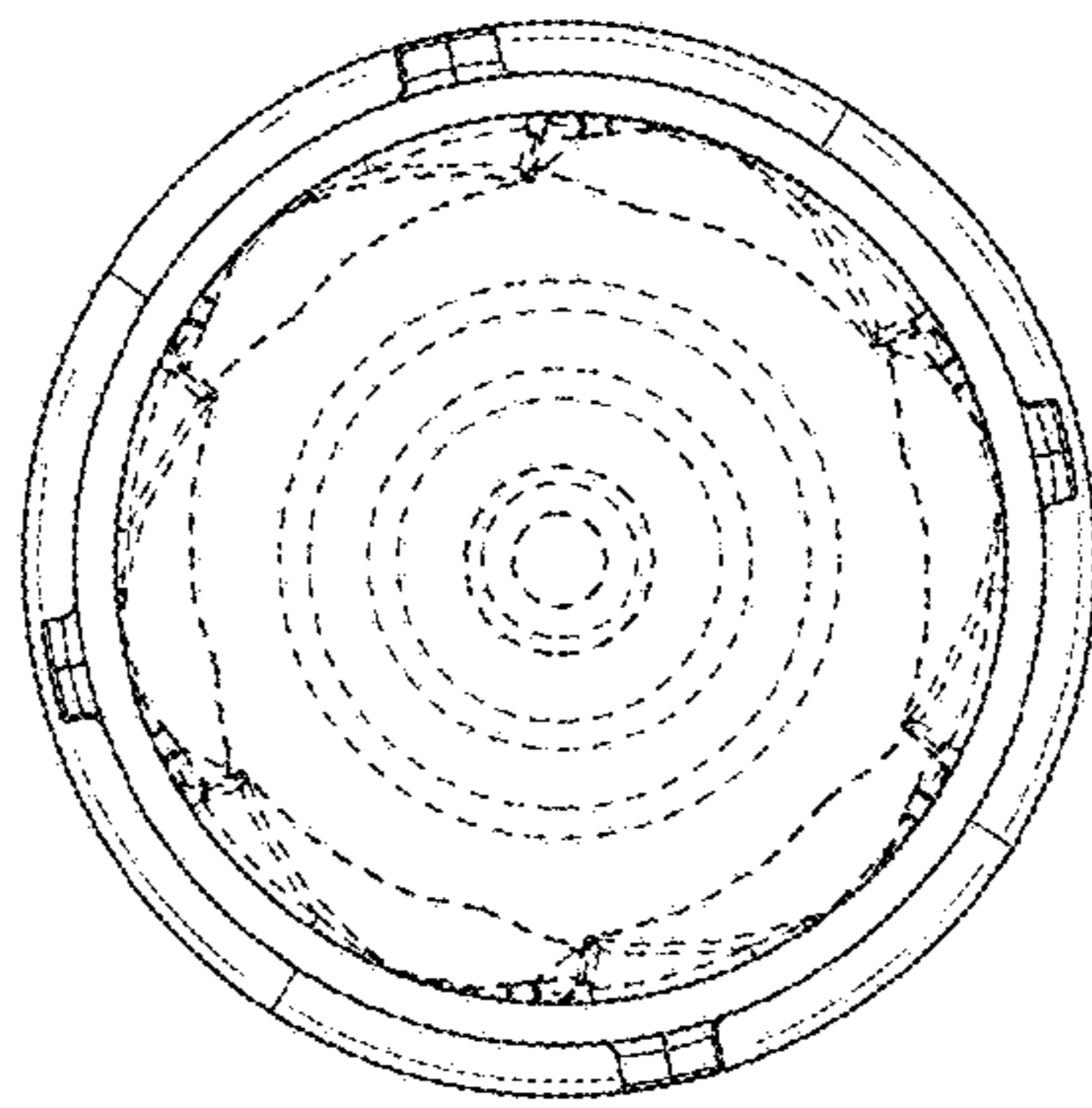


FIG. 5

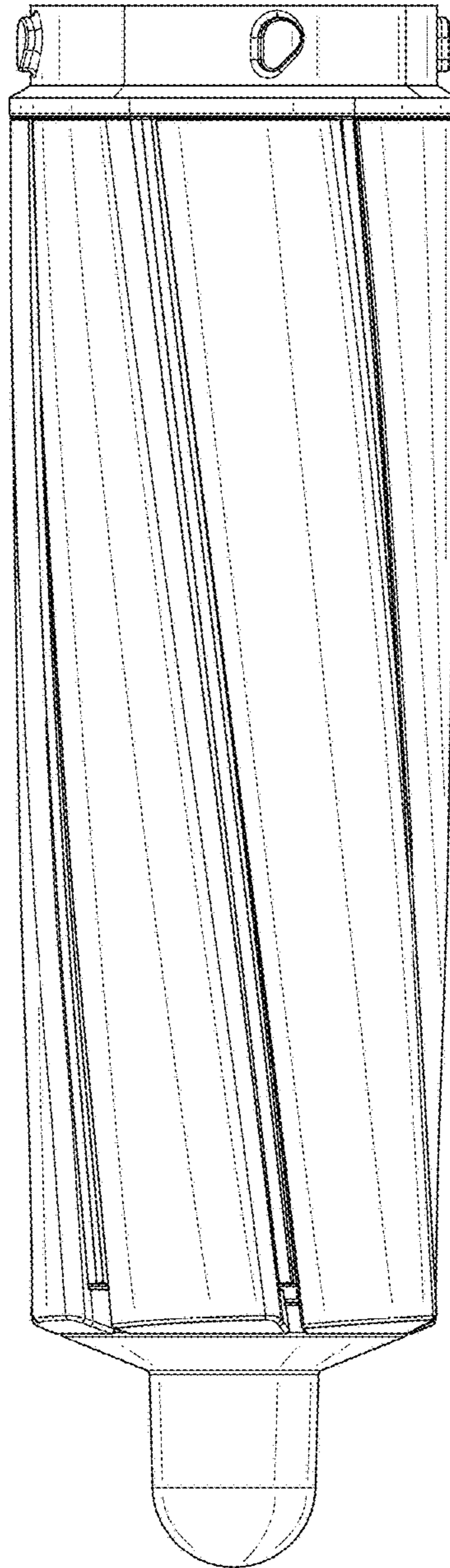


FIG. 6

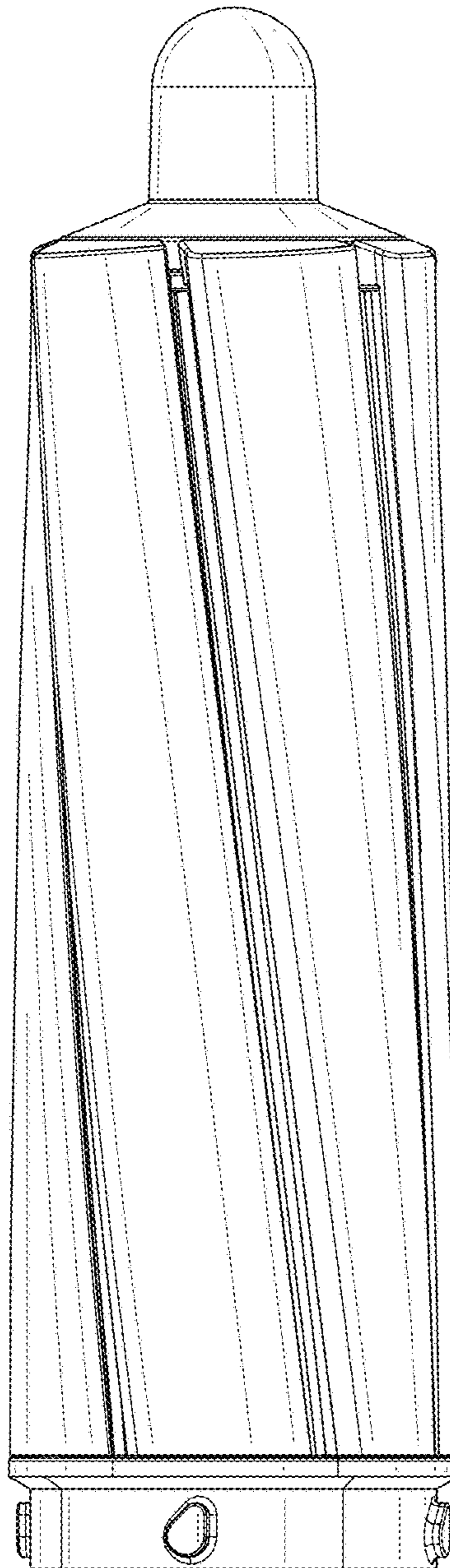


FIG. 7