



US00D848066S

(12) **United States Design Patent** (10) **Patent No.:** **US D848,066 S**  
**Coulton et al.** (45) **Date of Patent:** **\*\* May 7, 2019**

(54) **ACCESSORY FOR HAIR STYLING AND HAIR CARE APPARATUS**  
 (71) Applicant: **Dyson Technology Limited**, Wiltshire (GB)  
 (72) Inventors: **Robert Mark Brett Coulton**, Bristol (GB); **Anmarie Rita Nicolson**, Bristol (GB); **Emma Victoria Carson**, Swindon (GB); **Daniel John Thompson**, Bristol (GB); **Alexander Stuart Knox**, Swindon (GB); **Andrea Ee-Va Lim**, Bristol (GB); **Weiyi Chia**, Singapore (SG); **Stephen Benjamin Courtney**, Gloucester (GB); **Wei Jie Lam**, Singapore (SG)

4,232,454 A 11/1980 Springer  
 D259,665 S 6/1981 Cousins  
 D277,417 S 1/1985 Wistrand  
 D322,892 S \* 1/1992 Kwok-Fai Au ..... D4/100  
 5,157,757 A 10/1992 McDougall  
 D386,816 S \* 11/1997 Seifert ..... D28/18  
 D398,073 S 9/1998 Kip  
 D398,074 S 9/1998 Nosenchuck  
 D409,796 S \* 5/1999 Moreno ..... D28/18  
 D425,663 S 5/2000 Greubel et al.  
 D439,012 S \* 3/2001 McCurrach ..... D28/13  
 D439,701 S \* 3/2001 Engelen ..... D28/13  
 D448,115 S \* 9/2001 White ..... D28/18  
 D457,730 S \* 5/2002 McCurrach ..... D28/10  
 6,460,272 B2 10/2002 Cheng  
 D476,443 S \* 6/2003 Ohta ..... D28/18  
 6,662,811 B2 \* 12/2003 Mugge ..... A45D 24/22  
 132/228

(73) Assignee: **Dyson Technology Limited**, Malmesbury, Wiltshire (GB)

D506,030 S 6/2005 Lai  
 D510,192 S \* 10/2005 Kampel ..... D4/128  
 6,962,159 B1 11/2005 Adam  
 7,096,598 B1 \* 8/2006 Myatt ..... A45D 20/52  
 34/96

(\*\*) Term: **15 Years**

(21) Appl. No.: **29/627,693**

D557,017 S \* 12/2007 Kampel ..... D4/128

(22) Filed: **Nov. 29, 2017**

D609,857 S 2/2010 Schmitz  
 D676,600 S 2/2013 Thrasher, Jr.  
 D700,018 S 2/2014 Thrash

(30) **Foreign Application Priority Data**

May 30, 2017 (EM) ..... 004024644-0001

D754,313 S 4/2016 Ellis et al.  
 D775,418 S 12/2016 Stephens et al.  
 D775,419 S 12/2016 Stephens et al.

(51) **LOC (11) Cl.** ..... **28-03**

D776,345 S 1/2017 Tang  
 D782,731 S 3/2017 Smith et al.  
 D782,732 S 3/2017 Smith et al.

(52) **U.S. Cl.**  
 USPC ..... **D28/18**

D782,733 S 3/2017 Smith et al.  
 D782,734 S 3/2017 Sutter et al.  
 D790,785 S 6/2017 Courtney et al.

(58) **Field of Classification Search**

USPC ..... D28/18, 24, 25, 10, 12, 13, 15, 34;  
 D4/100, 102, 11, 117, 127, 128;  
 34/96-98; 392/380, 383-385; 239/135,  
 239/128, 270  
 CPC ..... A45D 20/12; A45D 20/00; A45D 20/10;  
 A45D 20/08

D791,407 S 7/2017 Smith et al.  
 D798,502 S 9/2017 Smith et al.  
 D800,454 S 10/2017 Mathieu

See application file for complete search history.

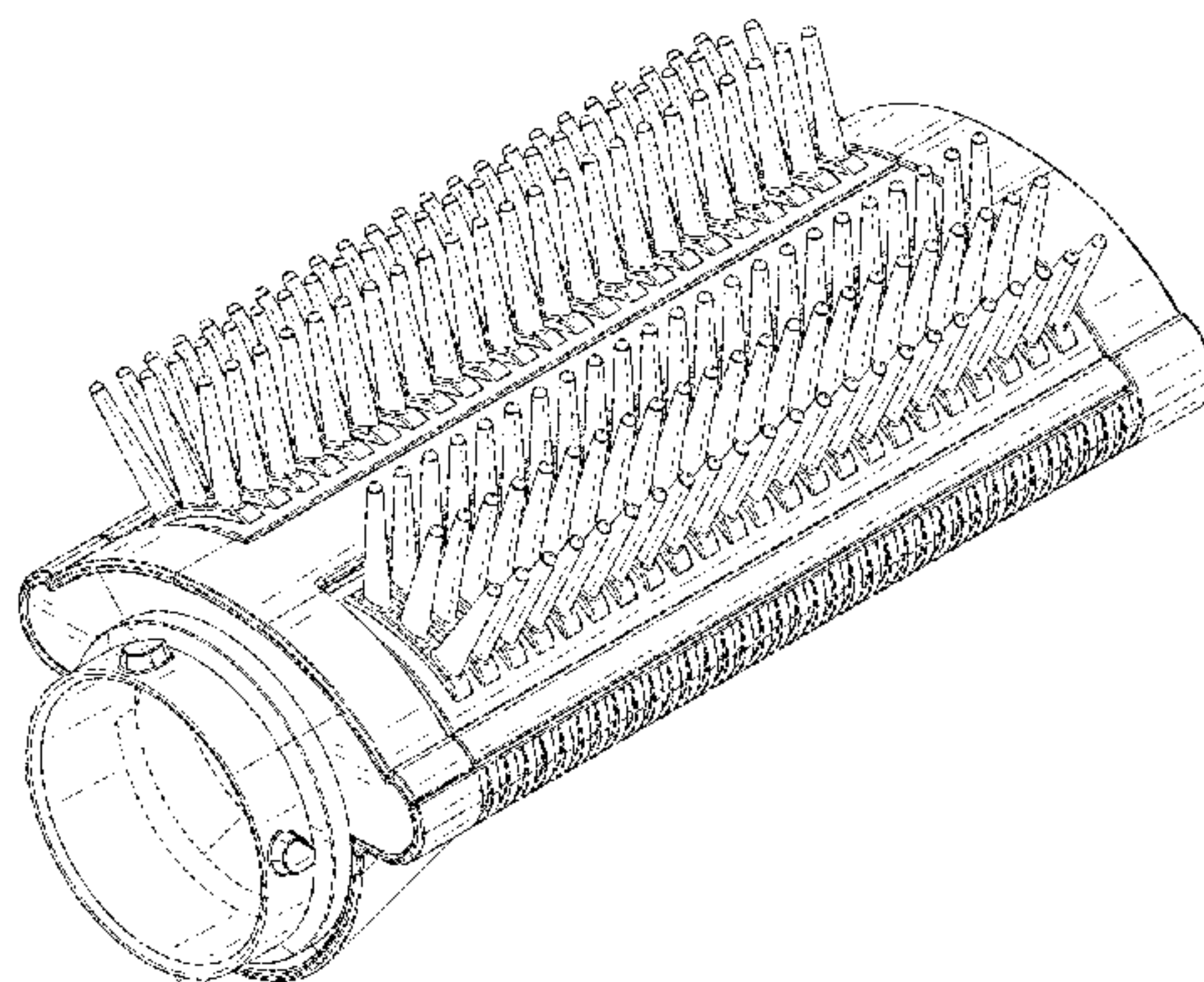
9,808,067 B2 11/2017 Sutter et al.  
 D810,927 S 2/2018 Ross et al.  
 D811,009 S 2/2018 Smith et al.

(56) **References Cited**

U.S. PATENT DOCUMENTS

D256,280 S 8/1980 Haase  
 D256,846 S 9/1980 Haase

D814,130 S 3/2018 Taub  
 D815,837 S 4/2018 Zhou  
 D817,643 S \* 5/2018 Valle ..... D4/100  
 9,986,810 B2 6/2018 Bobillier et al.  
 D823,004 S \* 7/2018 Kuo ..... D4/128  
 D823,005 S \* 7/2018 Kuo ..... D4/128  
 10,021,951 B2 7/2018 Bobillier et al.  
 10,028,574 B2 \* 7/2018 Rennette ..... A46B 9/023  
 2014/0083446 A1 3/2014 Julemont et al.  
 2016/0166033 A1 6/2016 Kerr et al.  
 2016/0166035 A1 6/2016 Douglas et al.





2016/0206075	A1	7/2016	Stephens et al.
2016/0206076	A1	7/2016	Stephens et al.
2016/0206077	A1	7/2016	Stephens et al.
2016/0338464	A1	11/2016	Wilkinson et al.
2016/0338465	A1	11/2016	Wilkinson et al.
2017/0112256	A1	4/2017	Bobillier et al.
2017/0164709	A1	6/2017	Laveni et al.
2017/0273422	A1	9/2017	Heffer et al.
2017/0273425	A1	9/2017	Stephens et al.
2017/0273428	A1*	9/2017	Nicolson ..... A45D 20/50
2017/0273429	A1*	9/2017	Nicolson ..... A45D 20/50
2017/0273431	A1	9/2017	Courtney et al.
2018/0055181	A1	3/2018	Spark et al.
2018/0055184	A1	3/2018	McVeigh et al.

OTHER PUBLICATIONS

Coulton et al, U.S. Office Action dated Sep. 14, 2018, directed to U.S. Appl. No. 29/627,694; 9 pages.  
 Coulton et al., U.S. Office Action dated Aug. 31, 2018, directed to U.S. Appl. No. 29/627,665; 8 pages.  
 Coulton et al., U.S. Office Action dated Oct. 30, 2018, directed to U.S. Appl. No. 29/627,739; 7 pages.  
 Coulton et al., U.S. Office Action dated Oct. 30, 2018, directed to U.S. Appl. No. 29/627,749; 7 pages.  
 Coulton et al., U.S. Office Action dated Oct. 30, 2018, directed to U.S. Appl. No. 29/627,752; 7 pages.  
 Coulton et al., U.S. Office Action dated Oct. 30, 2018, directed to U.S. Appl. No. 29/627,754; 7 pages.  
 Coulton et al., U.S. Office Action dated Oct. 30, 2018, directed to U.S. Appl. No. 29/627,773; 8 pages.  
 Coulton et al., U.S. Office Action dated Sep. 10, 2018, directed to U.S. Appl. No. 29/627,690; 7 pages.  
 Coulton et al., U.S. Office Action dated Sep. 14, 2018, directed to U.S. Appl. No. 29/627,707; 9 pages.  
 Heffer et al., U.S. Office Action dated Aug. 16, 2018, directed to U.S. Appl. No. 29/627,688; 8 pages.  
 Heffer et al., U.S. Office Action dated Aug. 16, 2018, directed to U.S. Appl. No. 29/627,712; 8 pages.  
 Heffer et al., U.S. Office Action dated Aug. 16, 2018, directed to U.S. Appl. No. 29/627,713; 8 pages.  
 Heffer et al., U.S. Office Action dated Aug. 16, 2018, directed to U.S. Appl. No. 29/627,730; 8 pages.  
 Tappenden et al., U.S. Office Action dated Oct. 17, 2018, directed to U.S. Appl. No. 29/627,727; 6 pages.  
 Tappenden et al., U.S. Office Action dated Aug. 8, 2018, directed to U.S. Appl. No. 29/627,660; 7 pages.  
 Tappenden et al., U.S. Office Action dated Aug. 8, 2018, directed to U.S. Appl. No. 29/627,664; 7 pages.  
 Tappenden et al., U.S. Office Action dated Aug. 8, 2018, directed to U.S. Appl. No. 29/627,668; 7 pages.  
 Tappenden et al., U.S. Office Action dated Aug. 8, 2018, directed to U.S. Appl. No. 29/627,671; 7 pages.  
 Tappenden et al., U.S. Office Action dated Aug. 8, 2018, directed to U.S. Appl. No. 29/627,673; 7 pages.  
 Tappenden et al., U.S. Office Action dated Aug. 8, 2018, directed to U.S. Appl. No. 29/627,677; 7 pages.  
 Tappenden et al., U.S. Office Action dated Aug. 8, 2018, directed to U.S. Appl. No. 29/627,678; 7 pages.  
 Tappenden et al., U.S. Office Action dated Aug. 8, 2018, directed to U.S. Appl. No. 29/627,714; 7 pages.

Tappenden et al., U.S. Office Action dated Oct. 1, 2018, directed to U.S. Appl. No. 29/627,717; 6 pages.  
 Tappenden et al., U.S. Office Action dated Oct. 17, 2018, directed to U.S. Appl. No. 29/627,723; 6 pages.  
 Tappenden et al., U.S. Office Action dated Oct. 17, 2018, directed to U.S. Appl. No. 29/627,731; 6 pages.  
 Tappenden et al., U.S. Office Action dated Oct. 17, 2018, directed to U.S. Appl. No. 29/627,733; 6 pages.  
 Tappenden et al., U.S. Office Action dated Oct. 17, 2018, directed to U.S. Appl. No. 29/627,734; 6 pages.  
 Tappenden et al., U.S. Office Action dated Oct. 17, 2018, directed to U.S. Appl. No. 29/627,735; 6 pages.  
 Tappenden et al., U.S. Office Action dated Sep. 27, 2018, directed to U.S. Appl. No. 29/627,700; 6 pages.  
 Tappenden et al., U.S. Office Action dated Sep. 27, 2018, directed to U.S. Appl. No. 29/627,702; 6 pages.  
 Tappenden et al., U.S. Office Action dated Sep. 27, 2018, directed to U.S. Appl. No. 29/627,705; 6 pages.  
 Tappenden et al., U.S. Office Action dated Sep. 27, 2018, directed to U.S. Appl. No. 29/627,706; 6 pages.  
 Tappenden et al., U.S. Office Action dated Sep. 27, 2018, directed to U.S. Appl. No. 29/627,710; 6 pages.  
 Tappenden et al., U.S. Office Action dated Sep. 27, 2018, directed to U.S. Appl. No. 29/627,724; 6 pages.  
 Tappenden et al., U.S. Office Action dated Sep. 27, 2018, directed to U.S. Appl. No. 29/627,725; 6 pages.  
 Tappenden et al., U.S. Office Action dated Sep. 27, 2018, directed to U.S. Appl. No. 29/627,726; 6 pages.  
 Tappenden et al., U.S. Office Action dated Sep. 28, 2018, directed to U.S. Appl. No. 29/627,719; 6 pages.

\* cited by examiner

*Primary Examiner* — Susan Bennett Hattan  
*Assistant Examiner* — Rebecca Tsehaye  
 (74) *Attorney, Agent, or Firm* — Morrison & Foerster LLP

(57) **CLAIM**

We claim the ornamental design for an accessory for hair styling and hair care apparatus, as shown and described.

**DESCRIPTION**

FIG. 1 is a bottom perspective view of an accessory for hair styling and hair care apparatus showing our new design; FIG. 2 is a top perspective view thereof; FIG. 3 is a side view thereof; FIG. 4 is a top view thereof; FIG. 5 is a bottom view thereof; FIG. 6 is a front view thereof; and, FIG. 7 is a rear view thereof. The view opposite the side view of FIG. 3 is a mirror image thereof and, therefore, is omitted. The broken lines in the drawings depict portions of the accessory for hair styling and hair care apparatus that form no part of the claimed design.

**1 Claim, 7 Drawing Sheets**



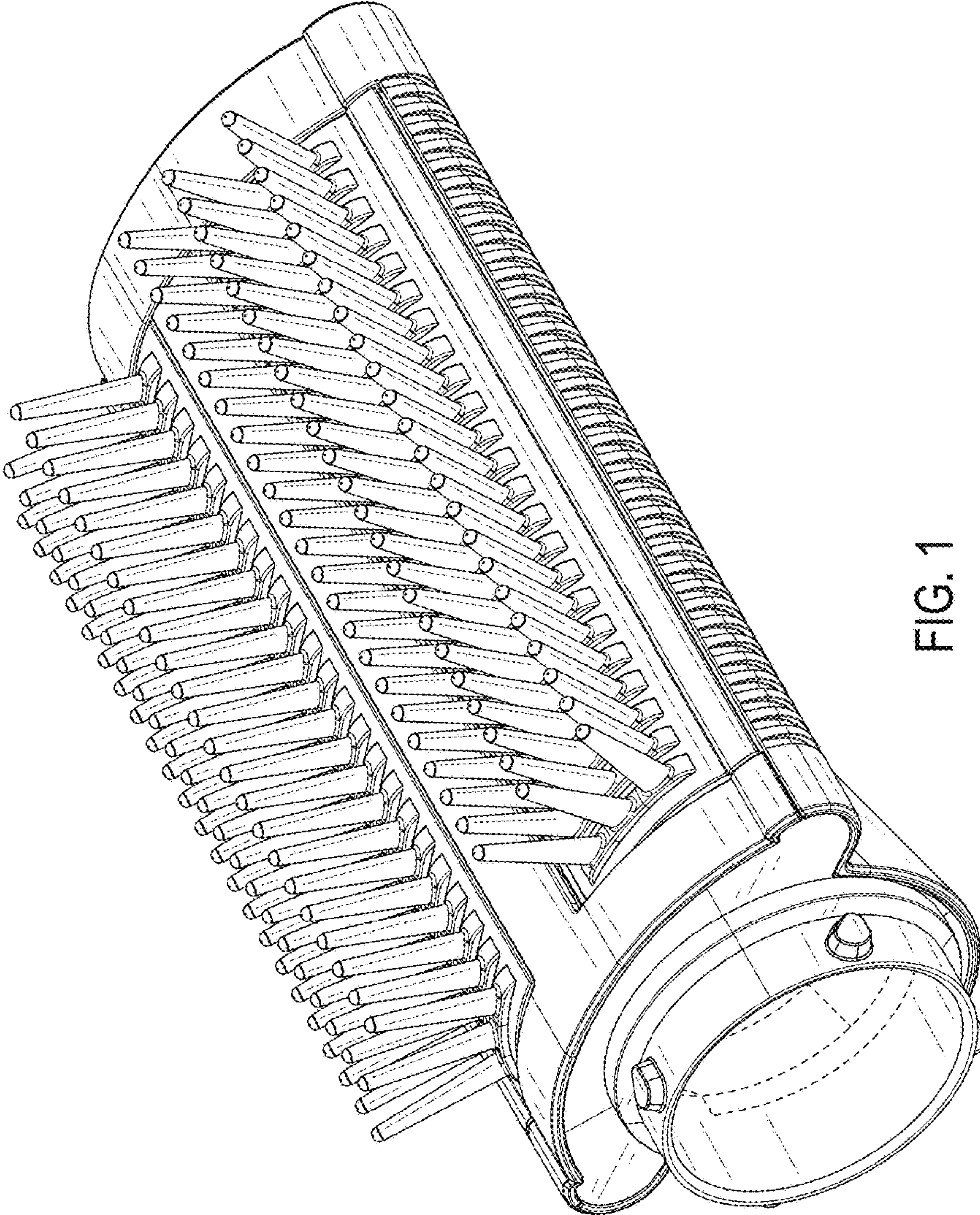


FIG. 1

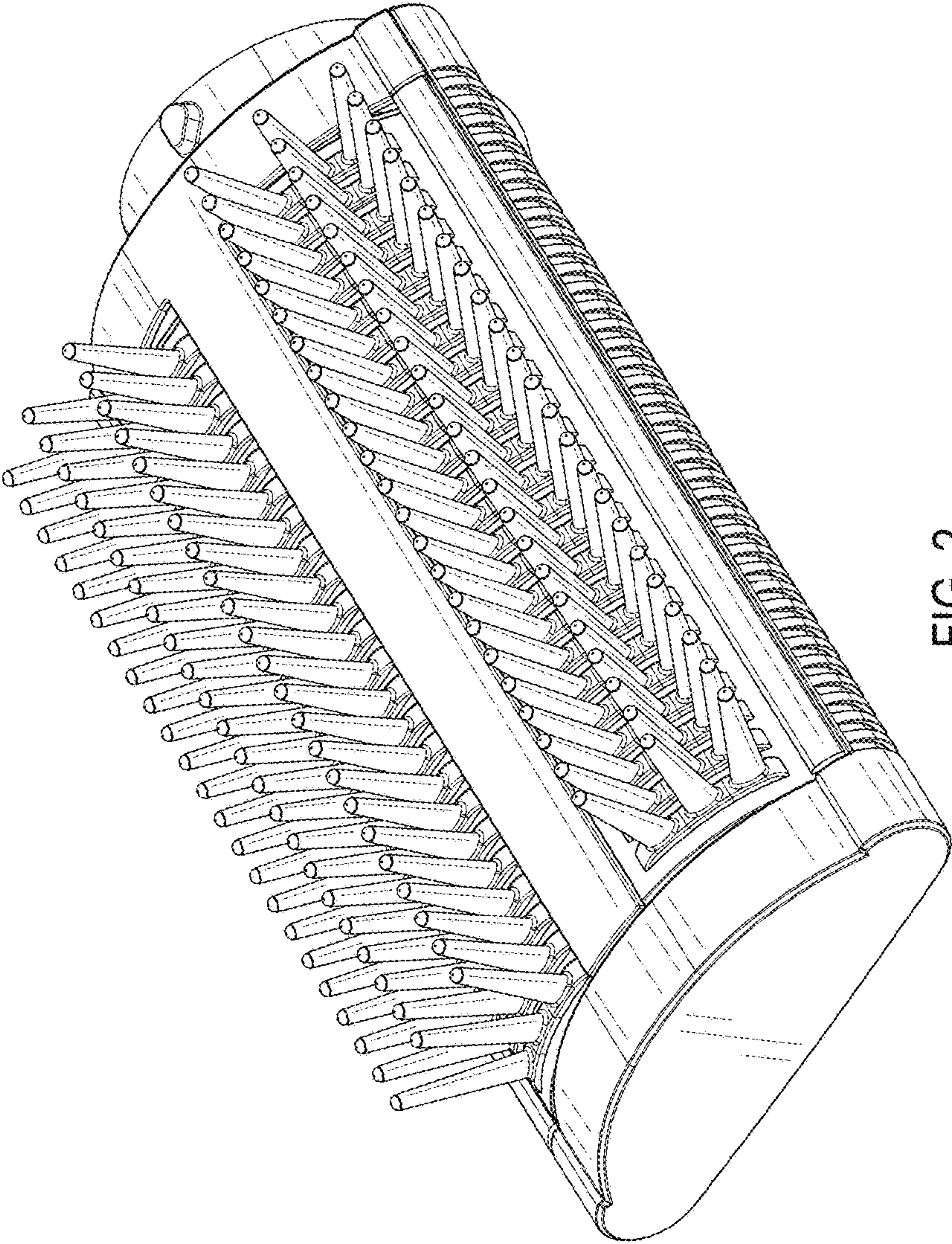


FIG. 2



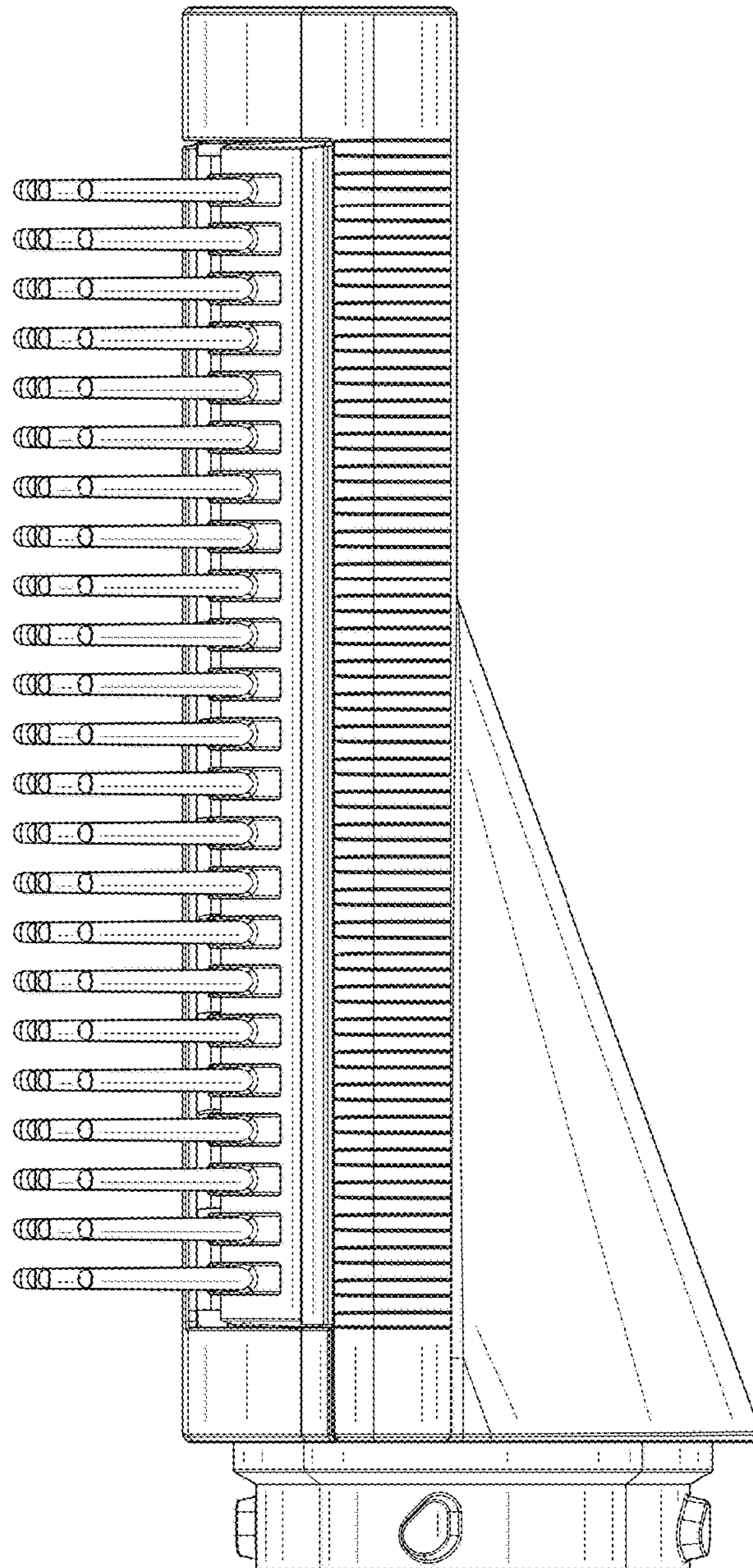


FIG. 3

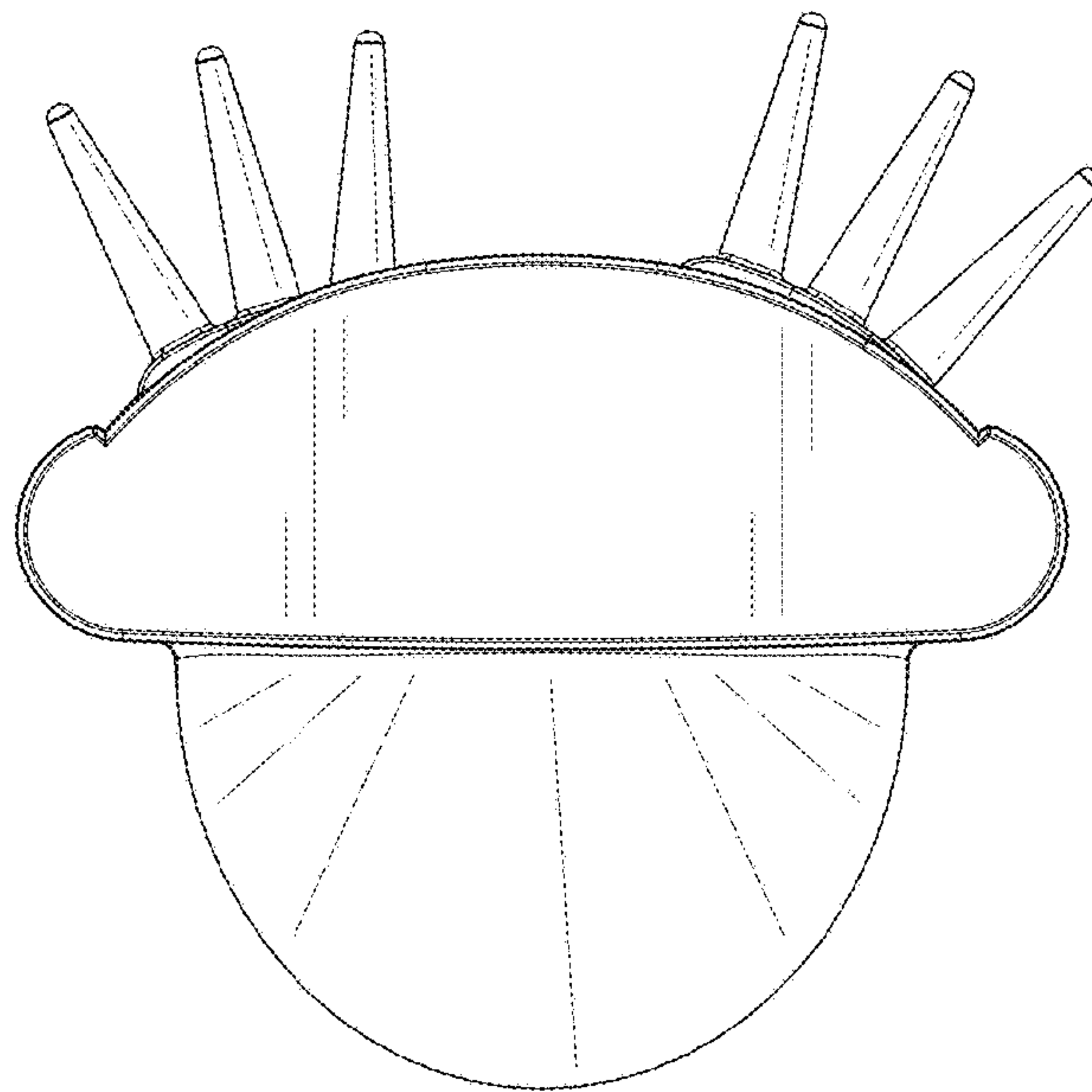


FIG. 4

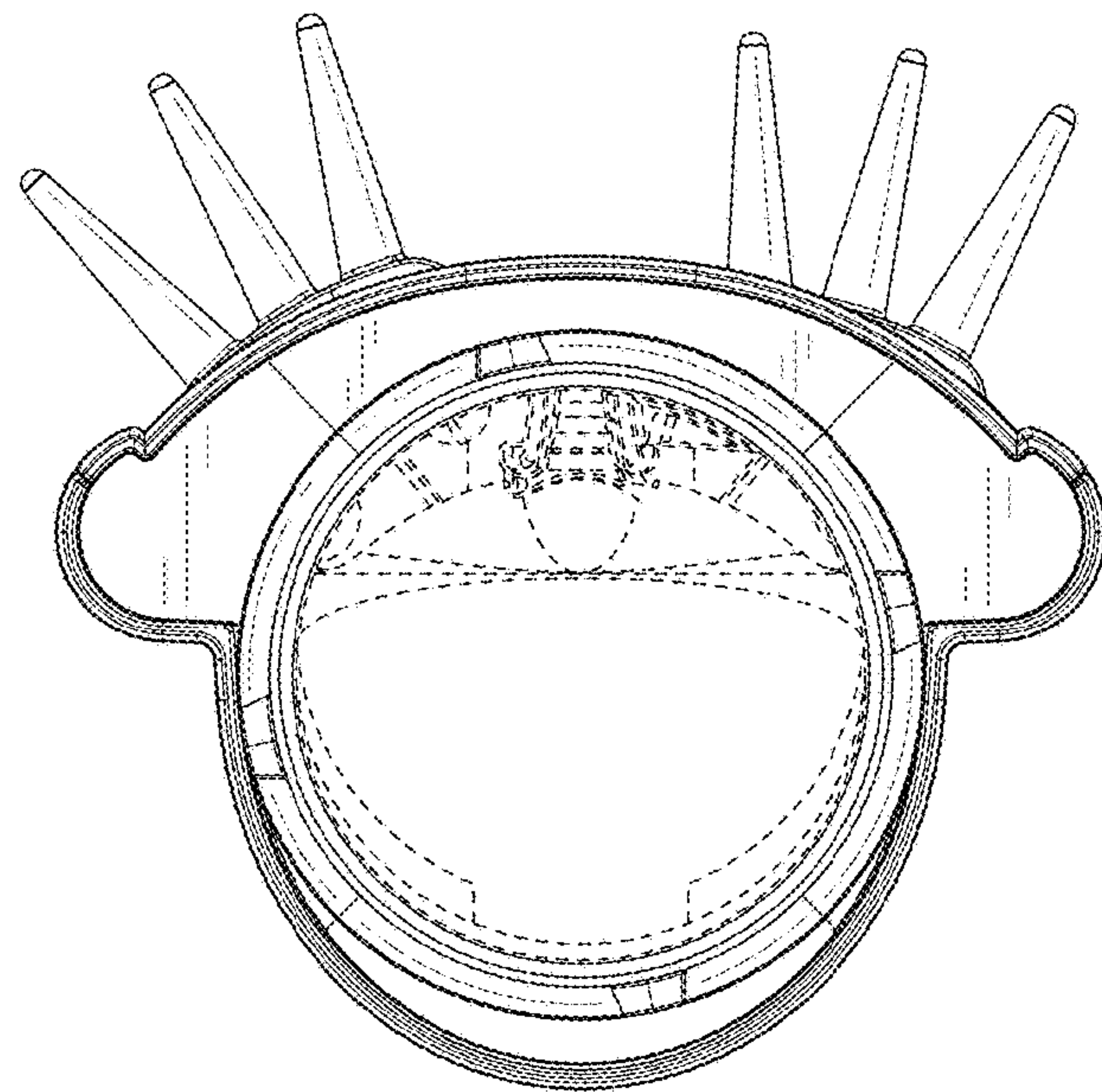


FIG. 5

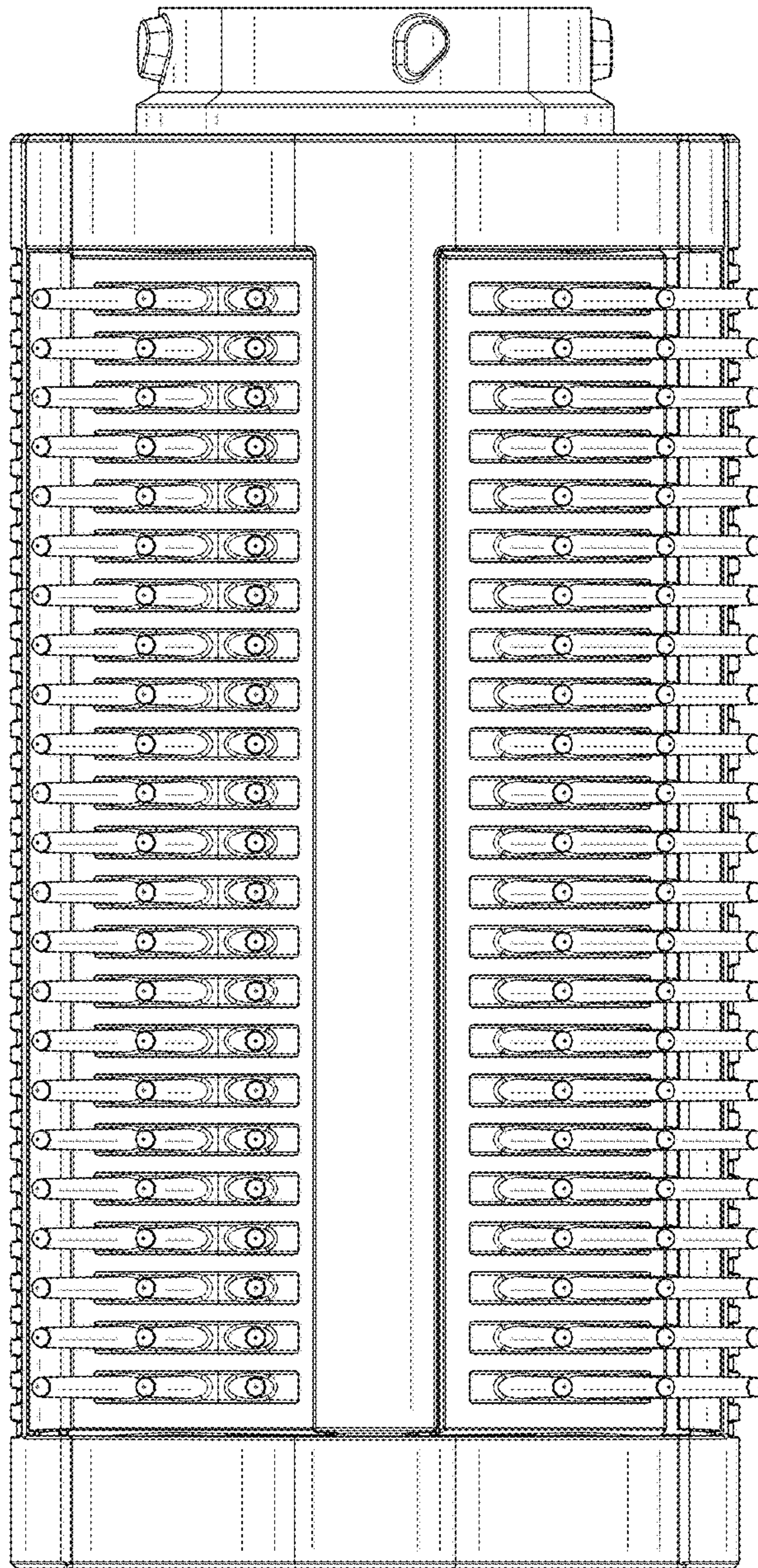


FIG. 6



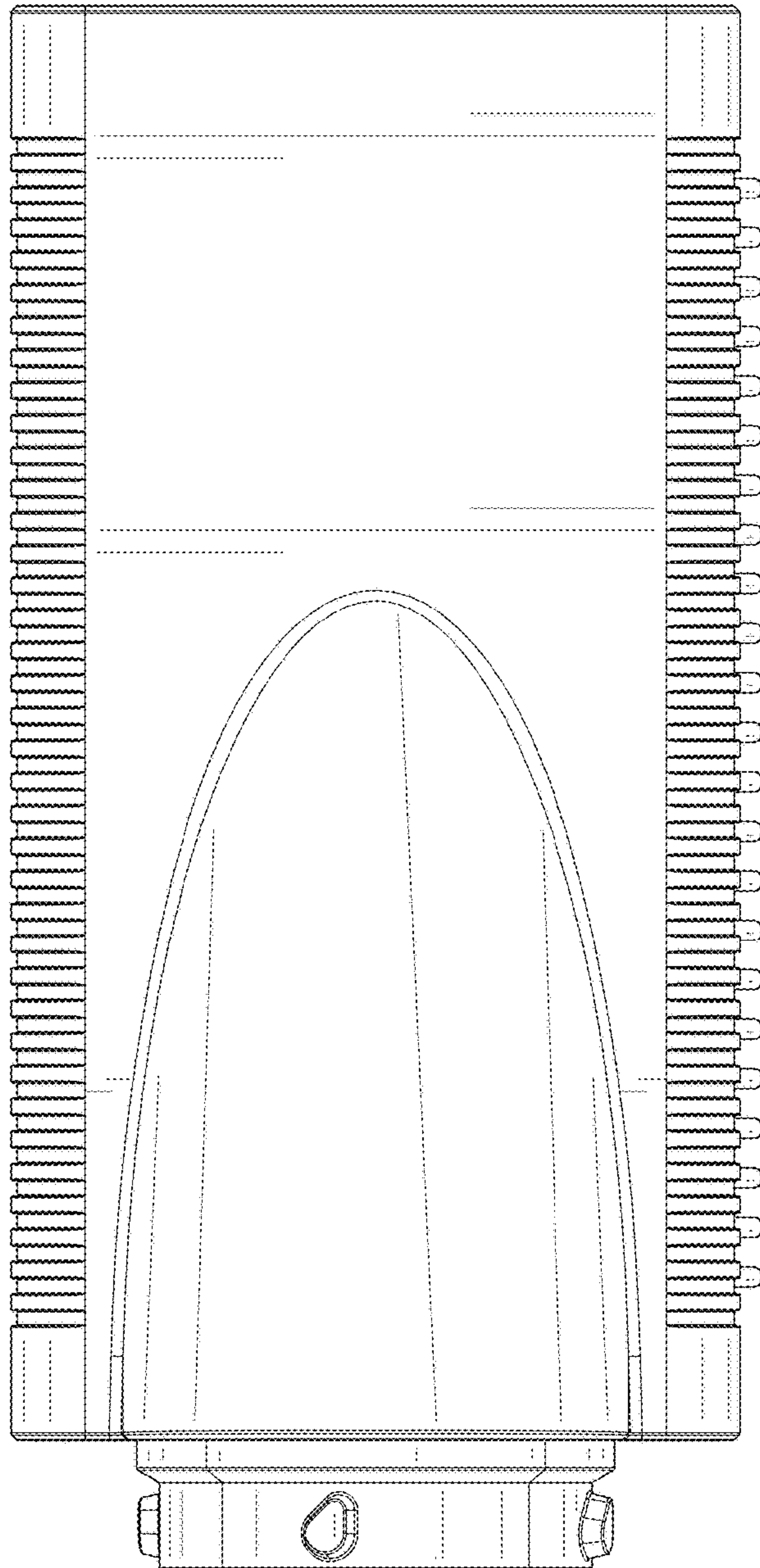


FIG. 7