



US00D848062S

(12) **United States Design Patent** (10) **Patent No.:** **US D848,062 S**  
**Smith** (45) **Date of Patent:** **\*\* May 7, 2019**

- (54) **PERMANENT WAVE CAP**
- (71) Applicant: **Elizabeth Smith**, Williamstown, NJ  
(US)
- (72) Inventor: **Elizabeth Smith**, Williamstown, NJ  
(US)
- (\*\*) Term: **15 Years**
- (21) Appl. No.: **29/660,396**
- (22) Filed: **Aug. 21, 2018**
- (51) **LOC (11) Cl.** ..... **28-03**
- (52) **U.S. Cl.**  
USPC ..... **D28/10; D28/44.2; D28/93**
- (58) **Field of Classification Search**  
USPC ..... D28/92-99, 11, 10, 44.2; D2/875, 877;  
D29/102; 132/213; 2/174  
CPC ..... A41G 3/0058; A45D 24/36; A45D 2/46  
See application file for complete search history.

- 3,972,075 A \* 8/1976 Alevras ..... A42B 3/00  
2/174  
D330,270 S \* 10/1992 Awan ..... D28/44  
D703,871 S \* 4/2014 Attey ..... D29/102  
D814,109 S \* 3/2018 Gordon ..... D28/10

\* cited by examiner

*Primary Examiner* — Jennifer Rivard  
 (74) *Attorney, Agent, or Firm* — Stuart M. Goldstein

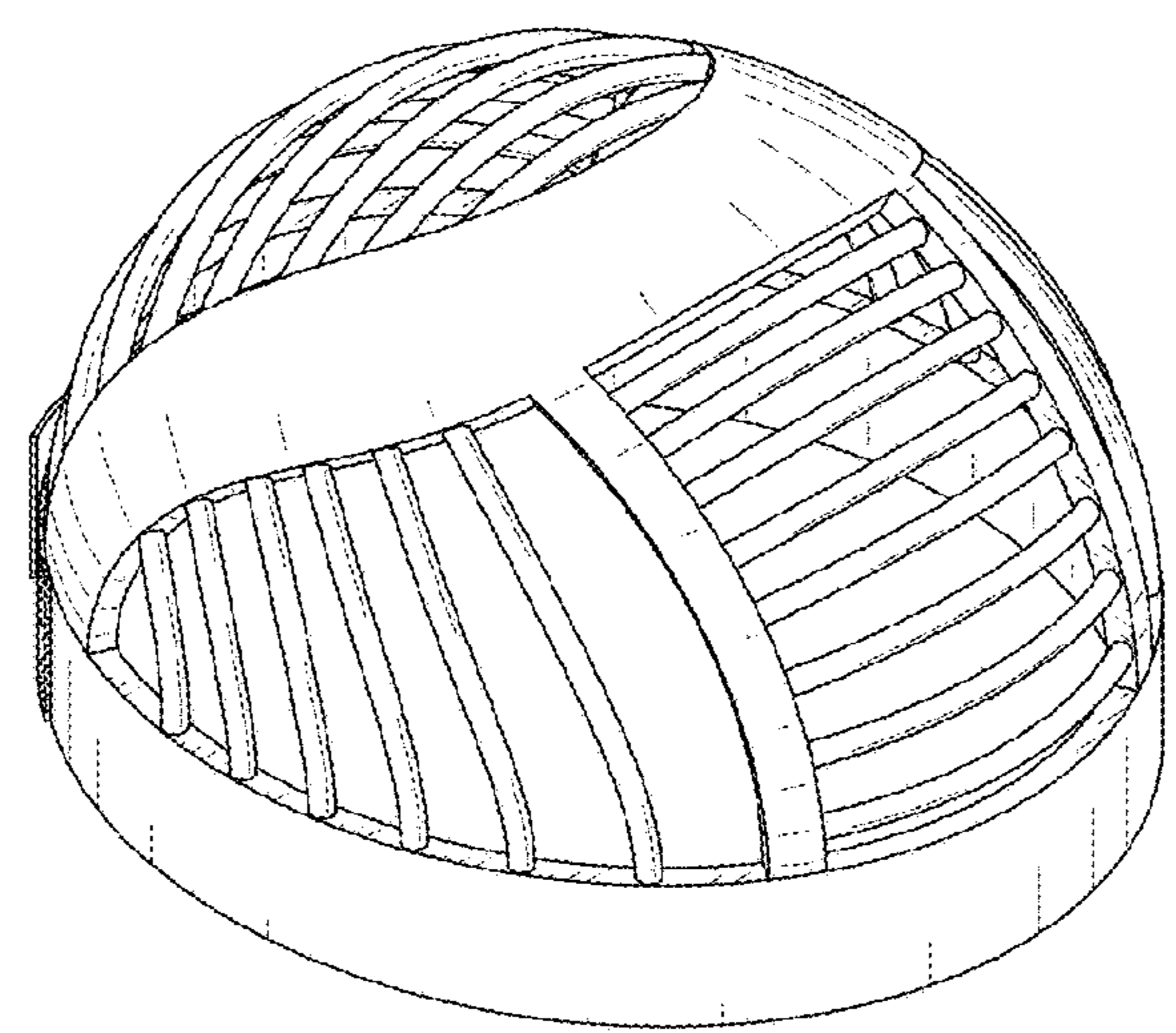
(57) **CLAIM**  
 The ornamental design for a permanent wave cap, as shown and described.

**DESCRIPTION**

FIG. 1 is a perspective top view of the permanent wave cap of the present invention.  
 FIG. 2 is a front view of the permanent wave cap of the present invention.  
 FIG. 3 is a rear view of the permanent wave cap of the present invention.  
 FIG. 4 is a top view of the permanent wave cap of the present invention.  
 FIG. 5 is a bottom view of the permanent wave cap of the present invention.  
 FIG. 6 is an elevation view of the permanent wave cap of the present invention.  
 FIG. 7 is the opposite elevation view of the permanent wave cap of the present invention; and,  
 FIG. 8 is a view of the permanent wave cap as it would be used.  
 The broken line showing of an individual's head is included for the purpose of illustrating environment and forms no part of the claimed design.

- (56) **References Cited**
- U.S. PATENT DOCUMENTS
- 2,642,880 A \* 6/1953 Corette ..... A45D 8/40  
132/274  
2,729,218 A \* 1/1956 Harmon ..... A45D 2/46  
132/213  
2,893,403 A \* 7/1959 Turman ..... A45D 8/40  
132/274  
3,180,341 A \* 4/1965 Dumont ..... A45D 24/36  
132/213  
3,444,865 A \* 5/1969 De Vita ..... A41G 3/00  
132/53  
3,868,959 A \* 3/1975 Koh ..... A41G 3/0016  
132/53

**1 Claim, 5 Drawing Sheets**



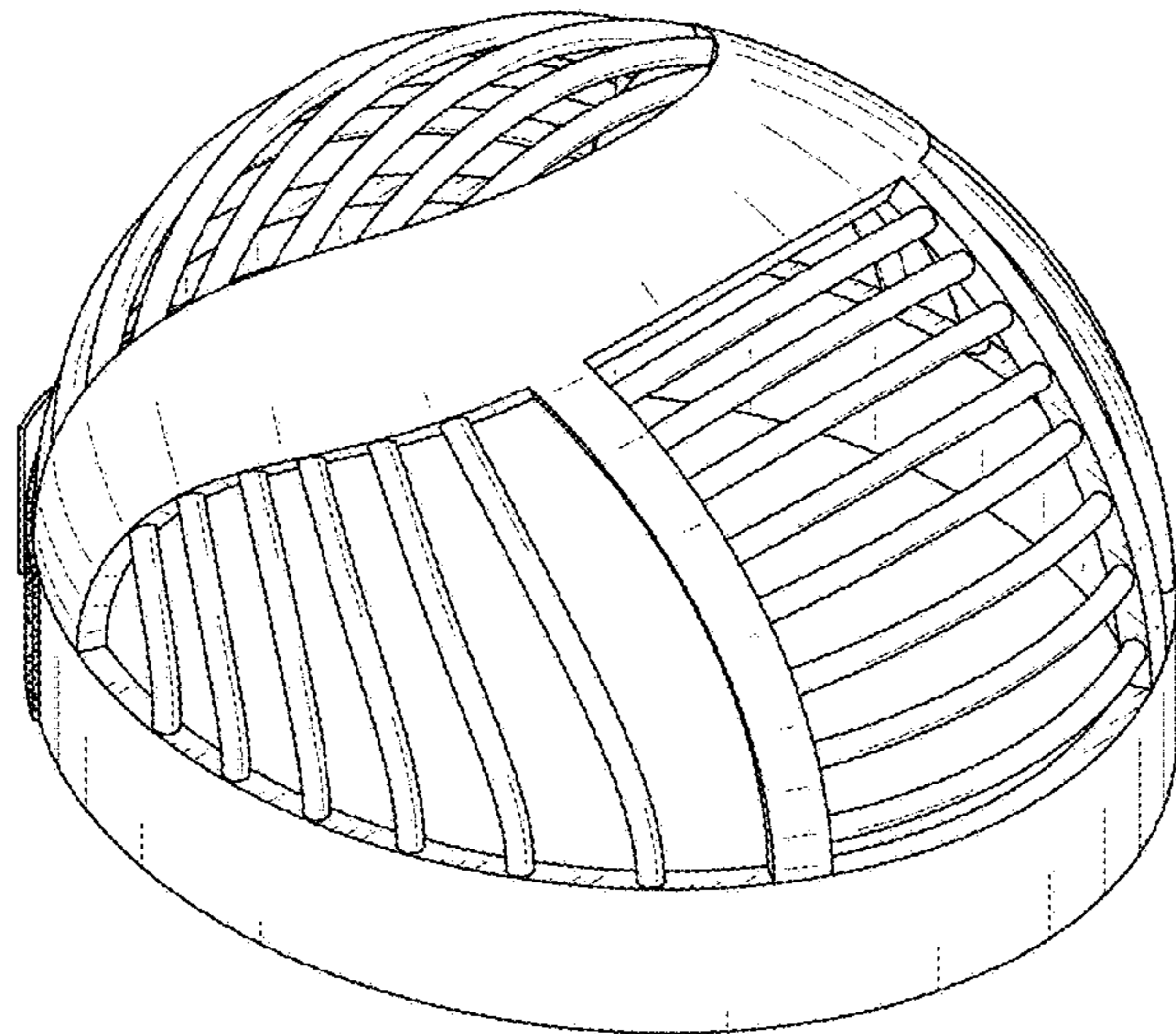


FIG. 1

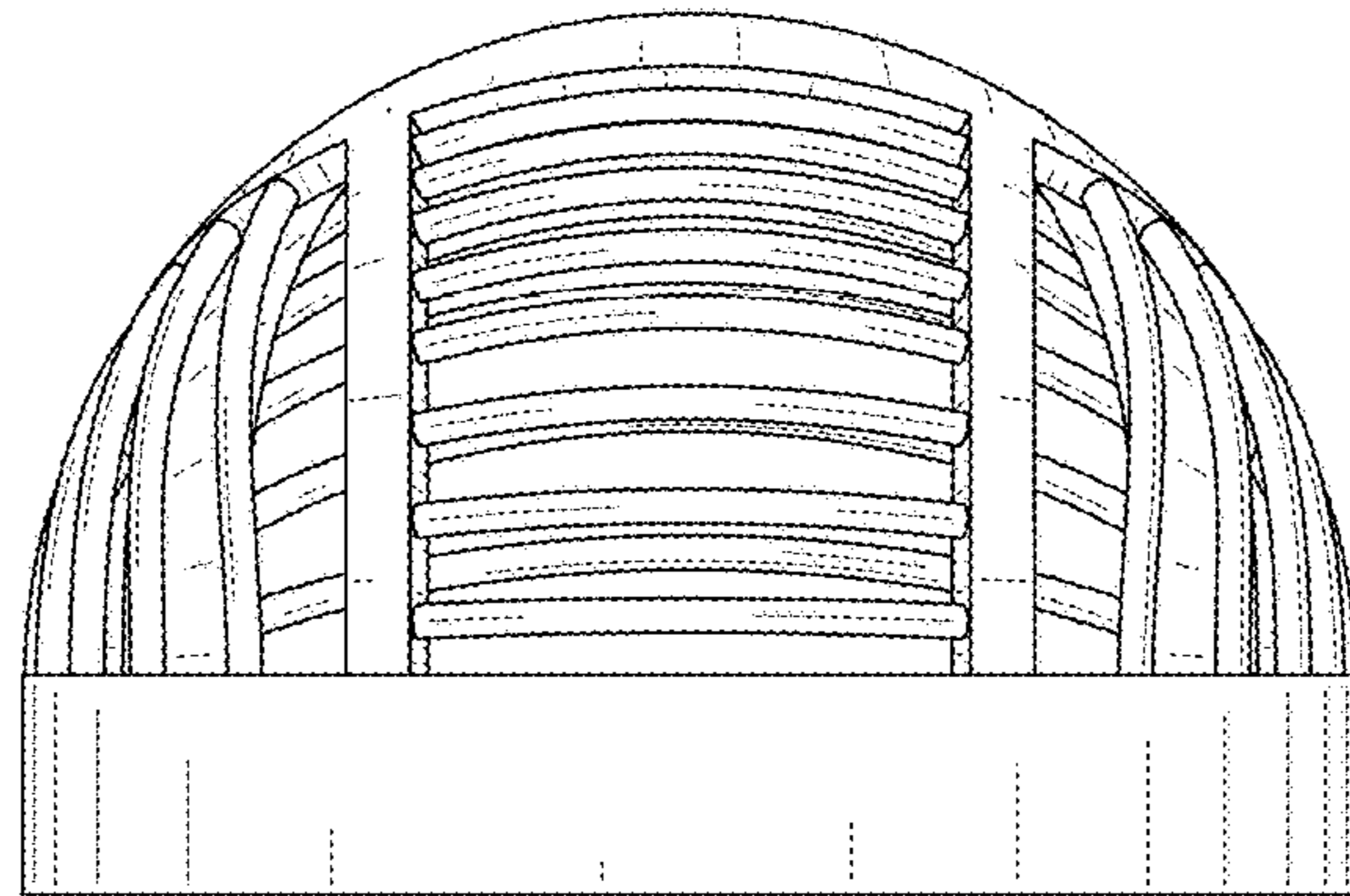


FIG. 2

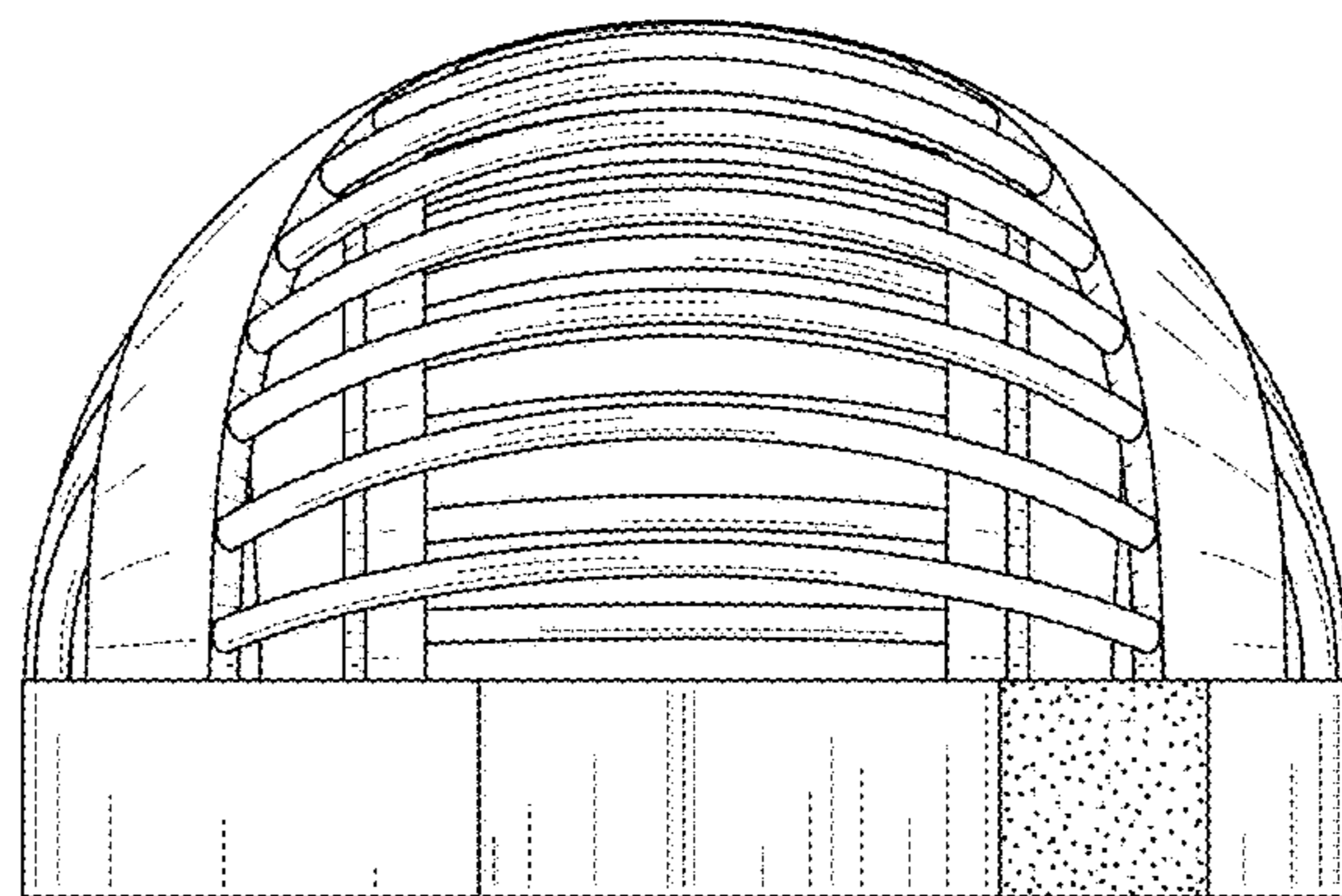


FIG. 3

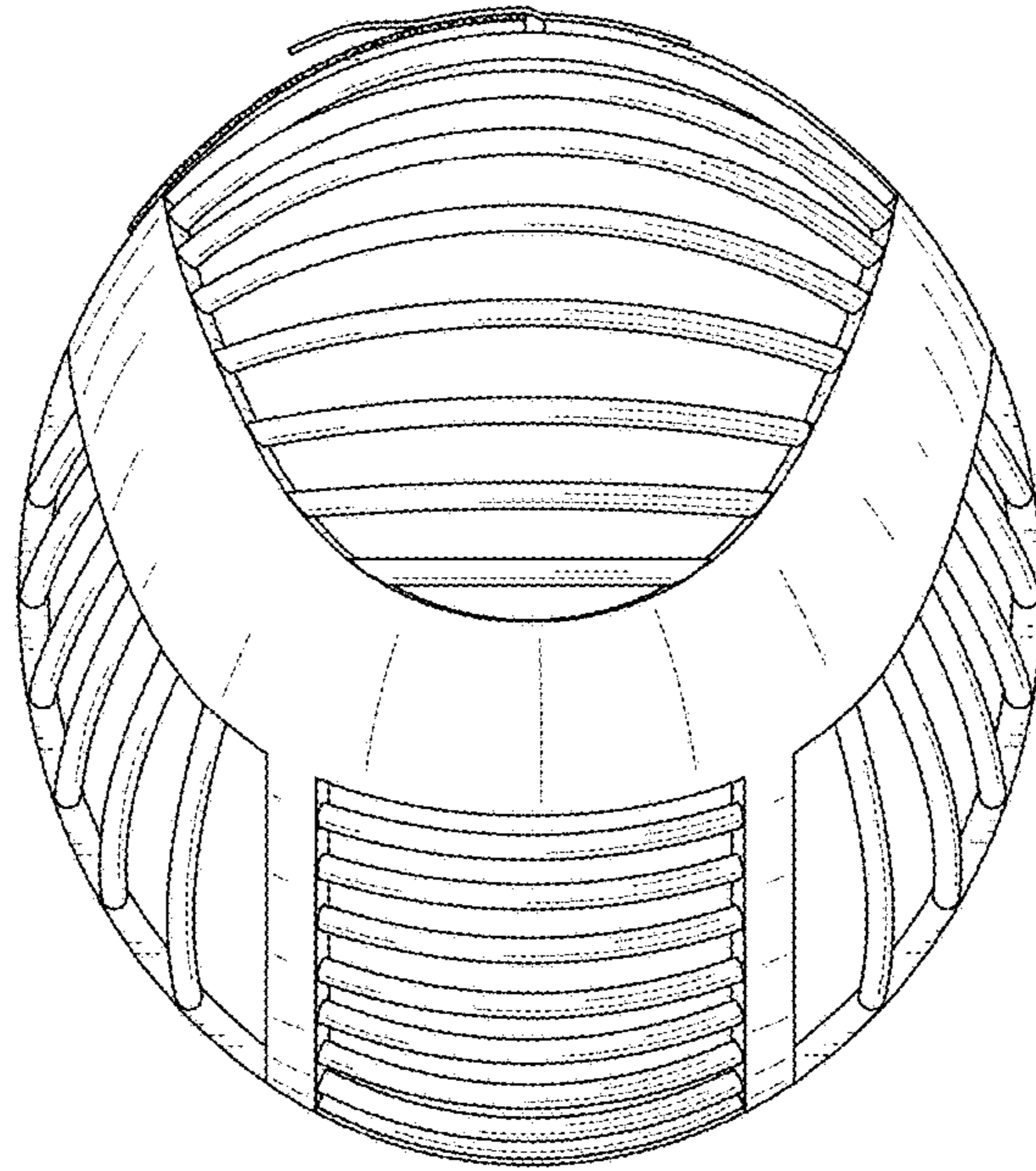


FIG. 4

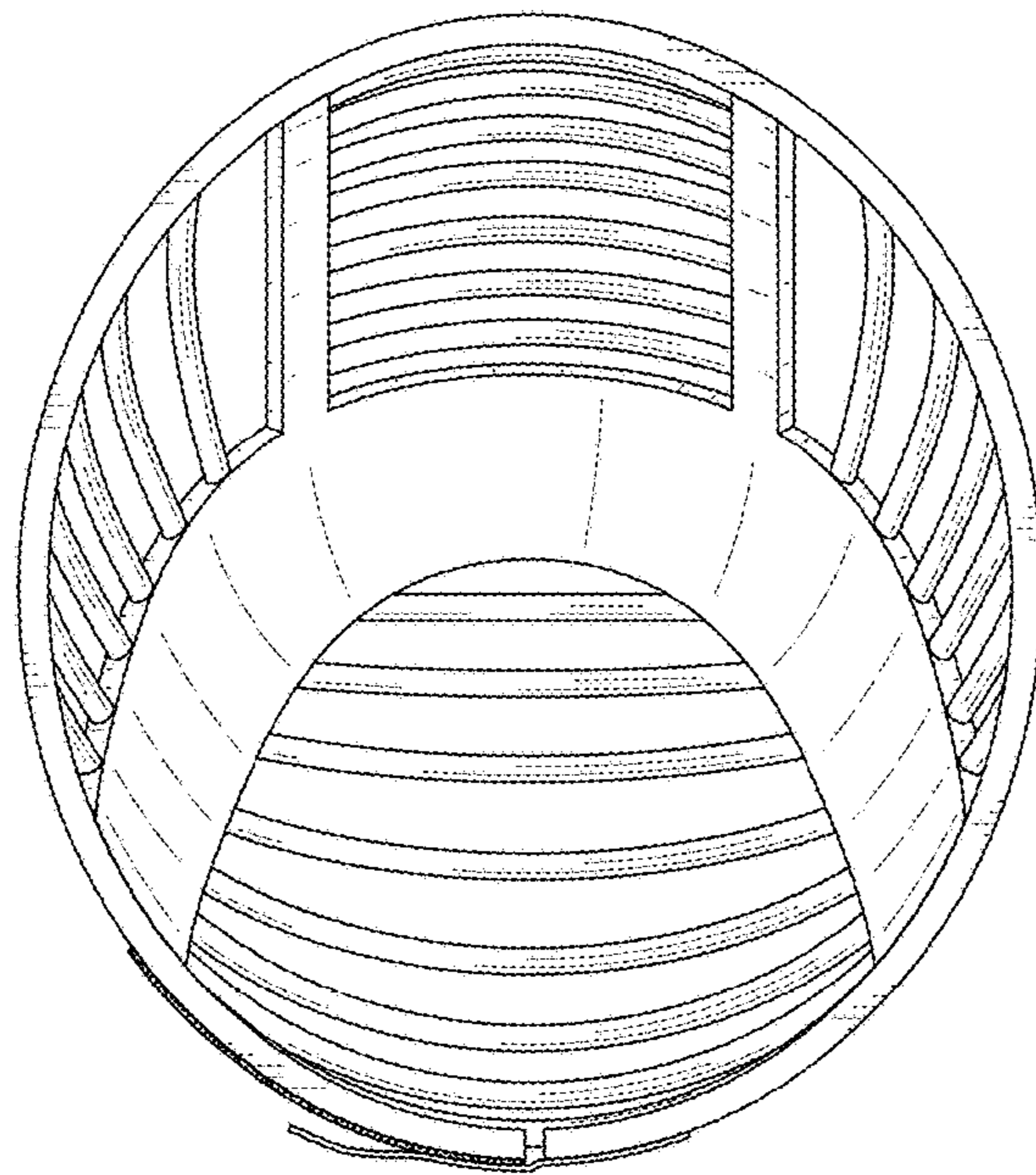


FIG. 5

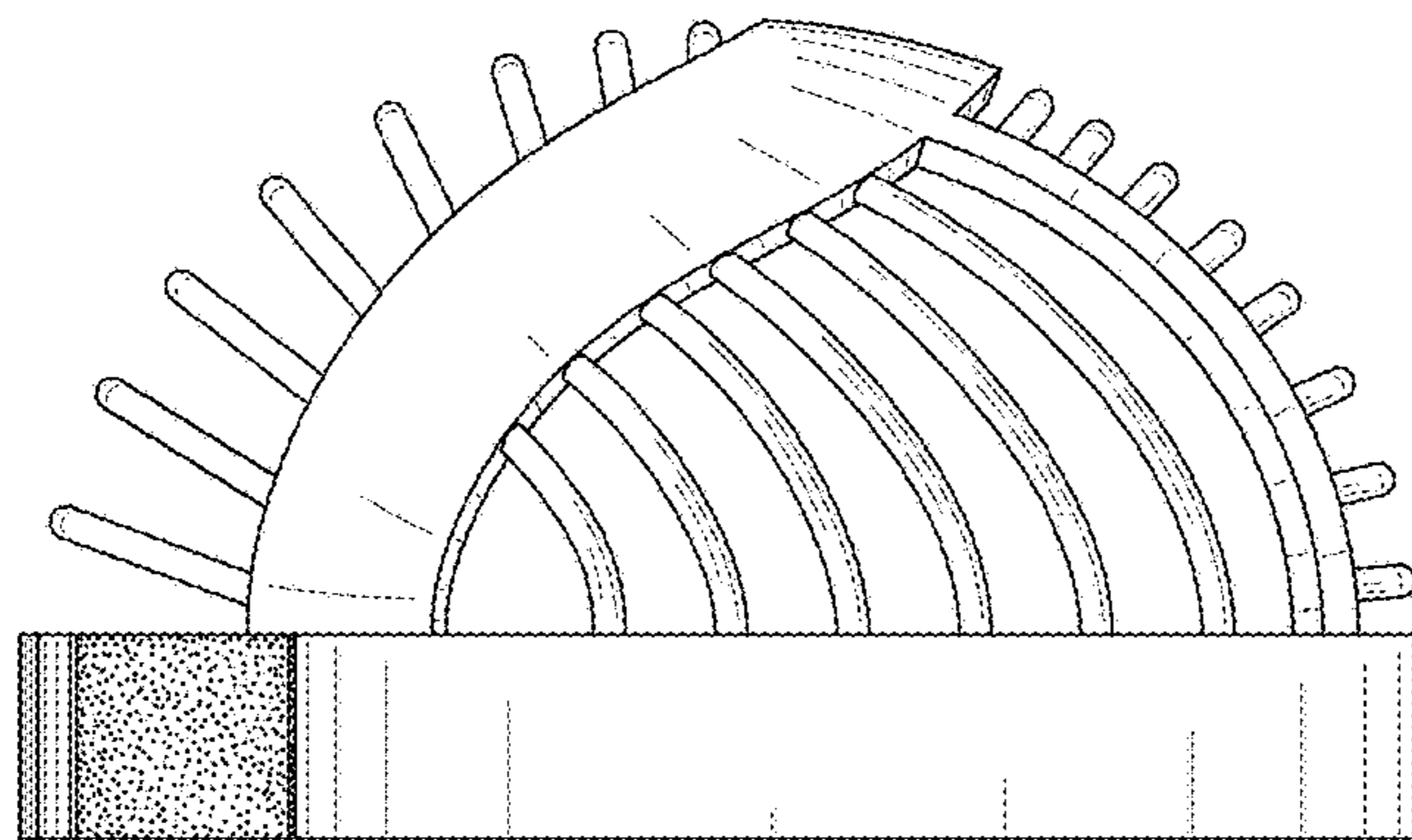


FIG. 6

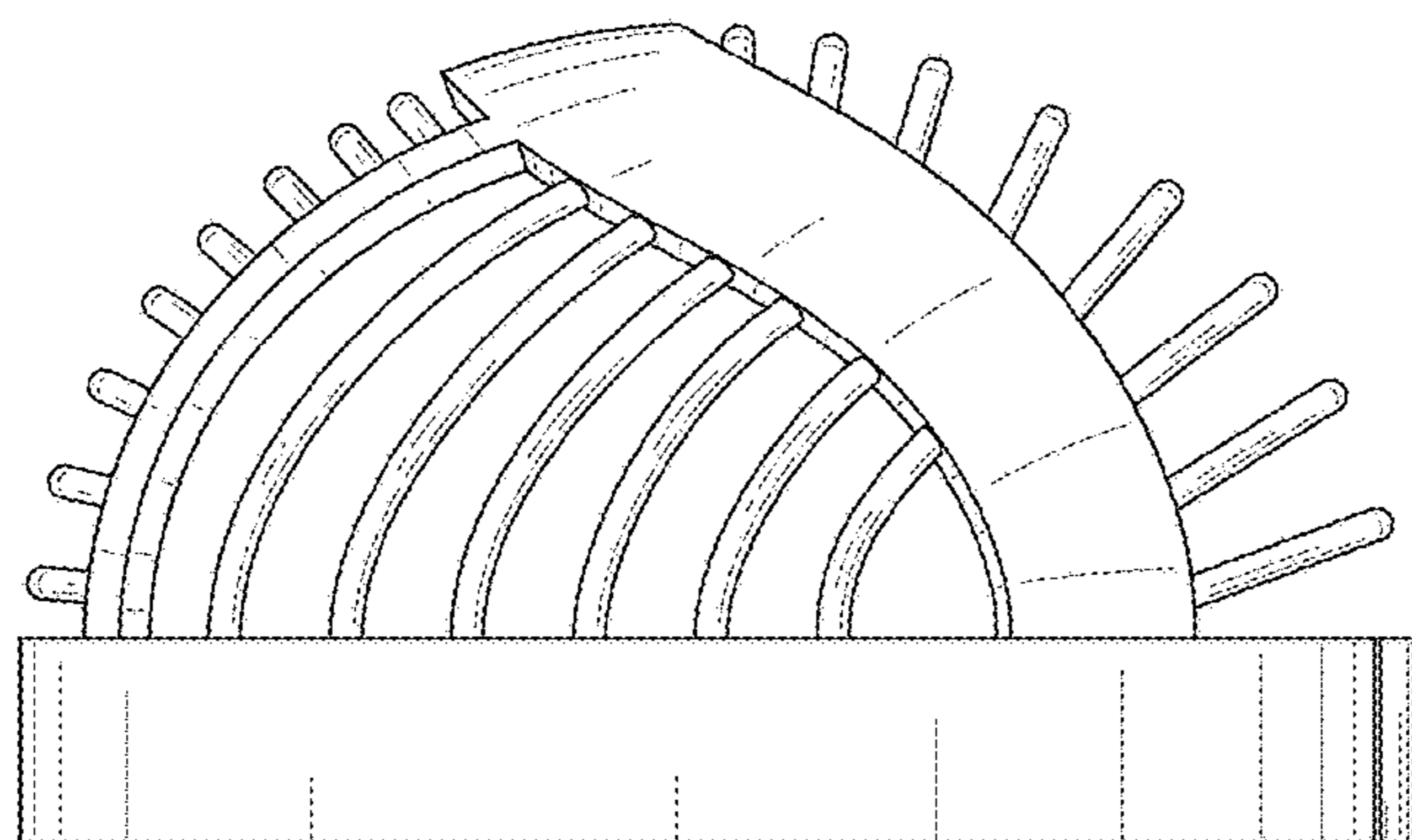


FIG. 7

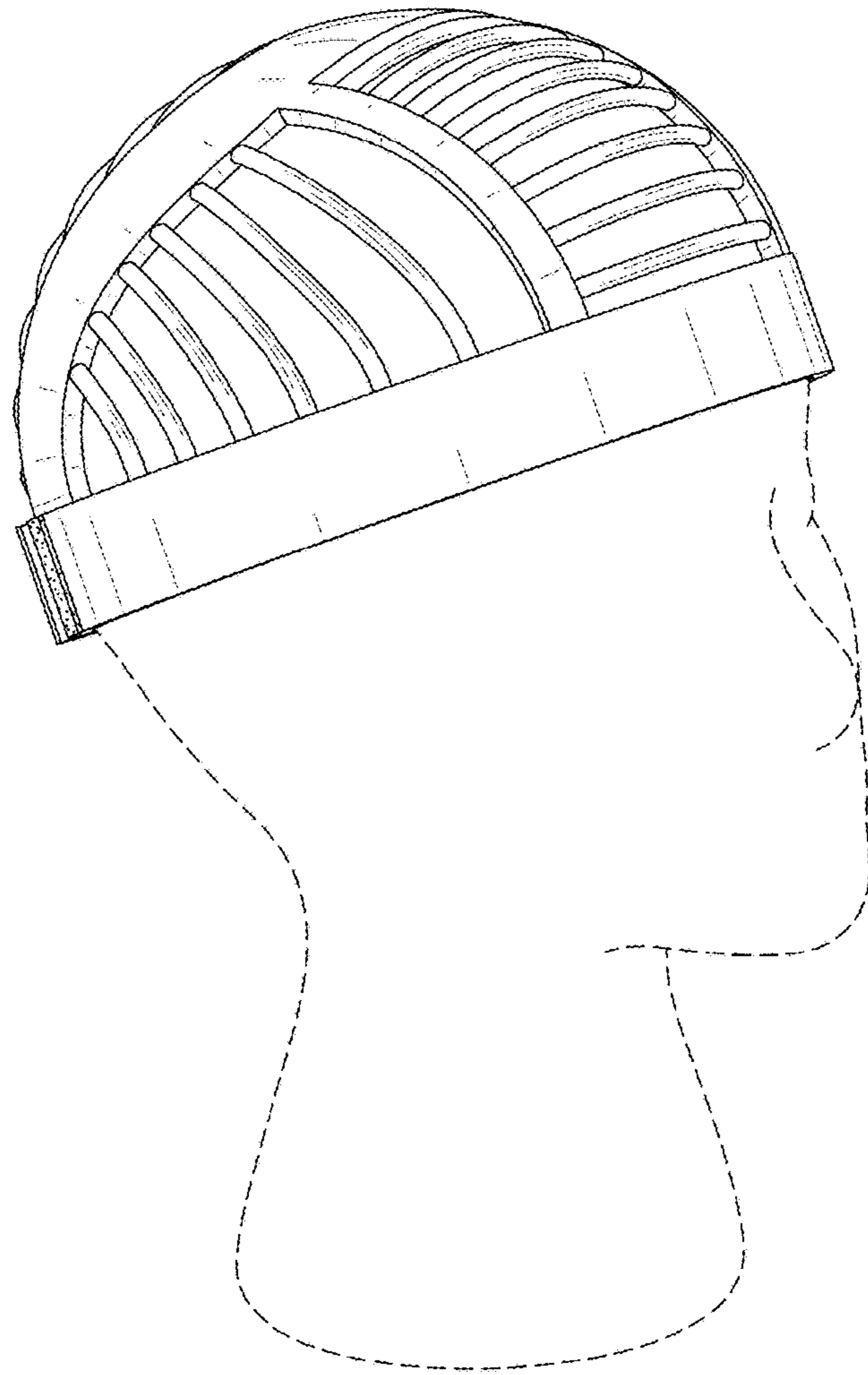


FIG. 8