



US00D848061S

(12) **United States Design Patent** (10) **Patent No.:** **US D848,061 S**
Zuckerman et al. (45) **Date of Patent:** **** May 7, 2019**

(54) **DETERGENT/CLEANING PACKET**
(71) Applicant: **Jempak Corporation**, Concord (CA)
(72) Inventors: **Charles Zuckerman**, Concord (CA);
Emil Tarnowsky, Concord (CA)
(73) Assignee: **Jempak Corporation**, Concord,
Ontario (CA)
(**) Term: **15 Years**
(21) Appl. No.: **29/637,580**
(22) Filed: **Feb. 20, 2018**

D735,408 S * 7/2015 Meier D28/8.1
D735,409 S * 7/2015 Sunder D28/8.1
D744,162 S * 11/2015 Sunder D28/8.1
D748,330 S * 1/2016 Gerhards D28/8.1
D759,891 S * 6/2016 Sarb D28/8.1
D744,250 S * 12/2016 McLenithan D28/8.1
D744,251 S * 12/2016 McLenithan D28/8.1
D774,249 S * 12/2016 McLenithan D28/8.1
D777,373 S * 1/2017 Sunder D28/8.1
D779,727 S * 2/2017 Johnson D28/8.1
2016/0230131 A1* 8/2016 Wiedemann et al. . B65D 65/46

* cited by examiner

Primary Examiner — Jennifer Rivard

(74) *Attorney, Agent, or Firm* — Gilbert's LLP; Matthew D. Powell

Related U.S. Application Data

(62) Division of application No. 29/543,284, filed on Oct. 22, 2015, now Pat. No. Des. 814,108.
(51) **LOC (11) Cl.** **28-02**
(52) **U.S. Cl.**
USPC **D28/8.1**
(58) **Field of Classification Search**
USPC D28/8.1-8.2; D9/426, 428, 430-432,
D9/702, 707, 710, 737, 759
CPC C11D 17/04; C11D 17/041-17/042; C11D
17/043-17/047; C11D 17/0047-17/0091;
C11D 17/0095; C11D 17/00-17/0021
See application file for complete search history.

(57) **CLAIM**

The ornamental design for a detergent/cleaning packet, as shown and described.

DESCRIPTION

FIG. 1 is a perspective view of the detergent/cleaning packet, in accordance with the design;
FIG. 2 is a top view of the detergent/cleaning packet of FIG. 1;
FIG. 3 is a first end view of the detergent/cleaning packet of FIG. 1;
FIG. 4 is a second end view of the detergent/cleaning packet of FIG. 1;
FIG. 5 is a first side view of the detergent/cleaning packet of FIG. 1;
FIG. 6 is a second side view of the detergent/cleaning packet of FIG. 1; and,
FIG. 7 is a bottom view of the detergent/cleaning packet of FIG. 1.

The portions of the detergent/cleaning packet shown in broken lines are for purposes of illustration only and do not form part of the design.

1 Claim, 1 Drawing Sheet

(56) **References Cited**

U.S. PATENT DOCUMENTS

D673,327 S * 12/2012 Dedeyan D28/8.1
D687,182 S * 7/2013 Gordon D28/8.1
D689,240 S * 9/2013 Sunder D28/8.1
D689,241 S * 9/2013 Gerhards D28/8.1
D691,326 S * 10/2013 Gerhards D28/8.1
D695,451 S * 12/2013 Gerhards D28/8.1
D732,735 S * 6/2015 Nixon D28/8.1
D733,962 S * 7/2015 Sunder D28/8.1
D735,407 S * 7/2015 Gerhards D28/8.1

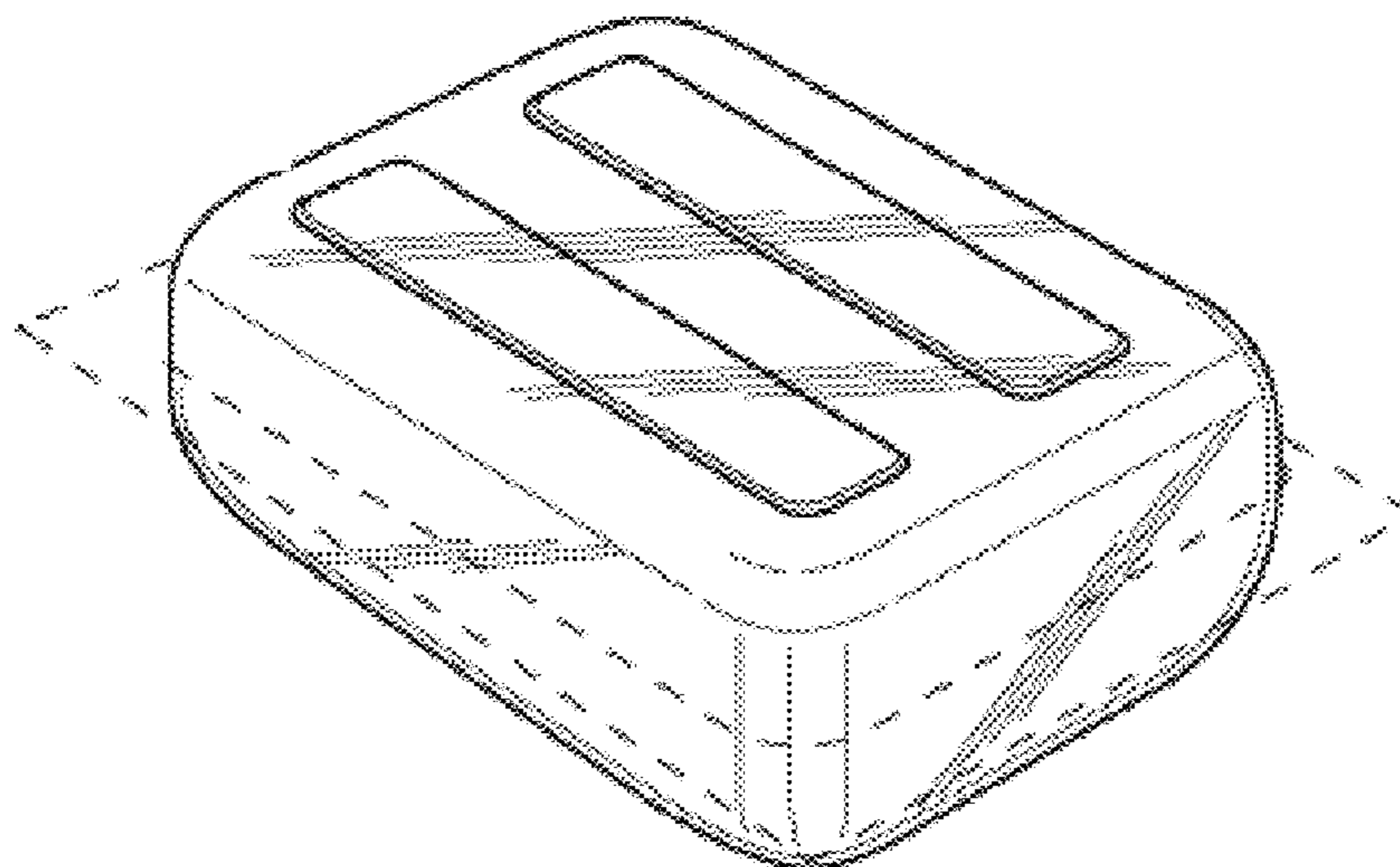


Fig. 1

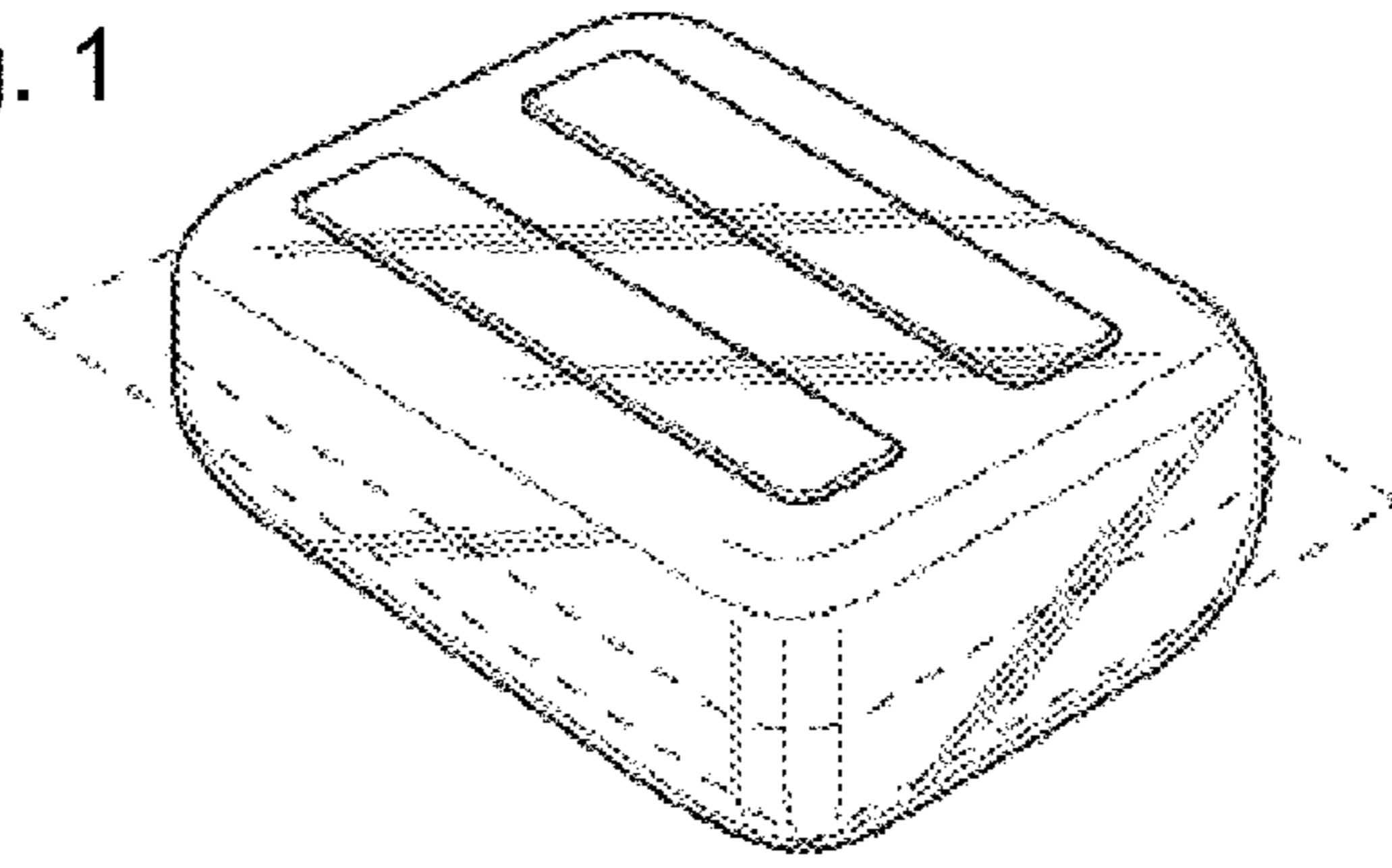


Fig. 2

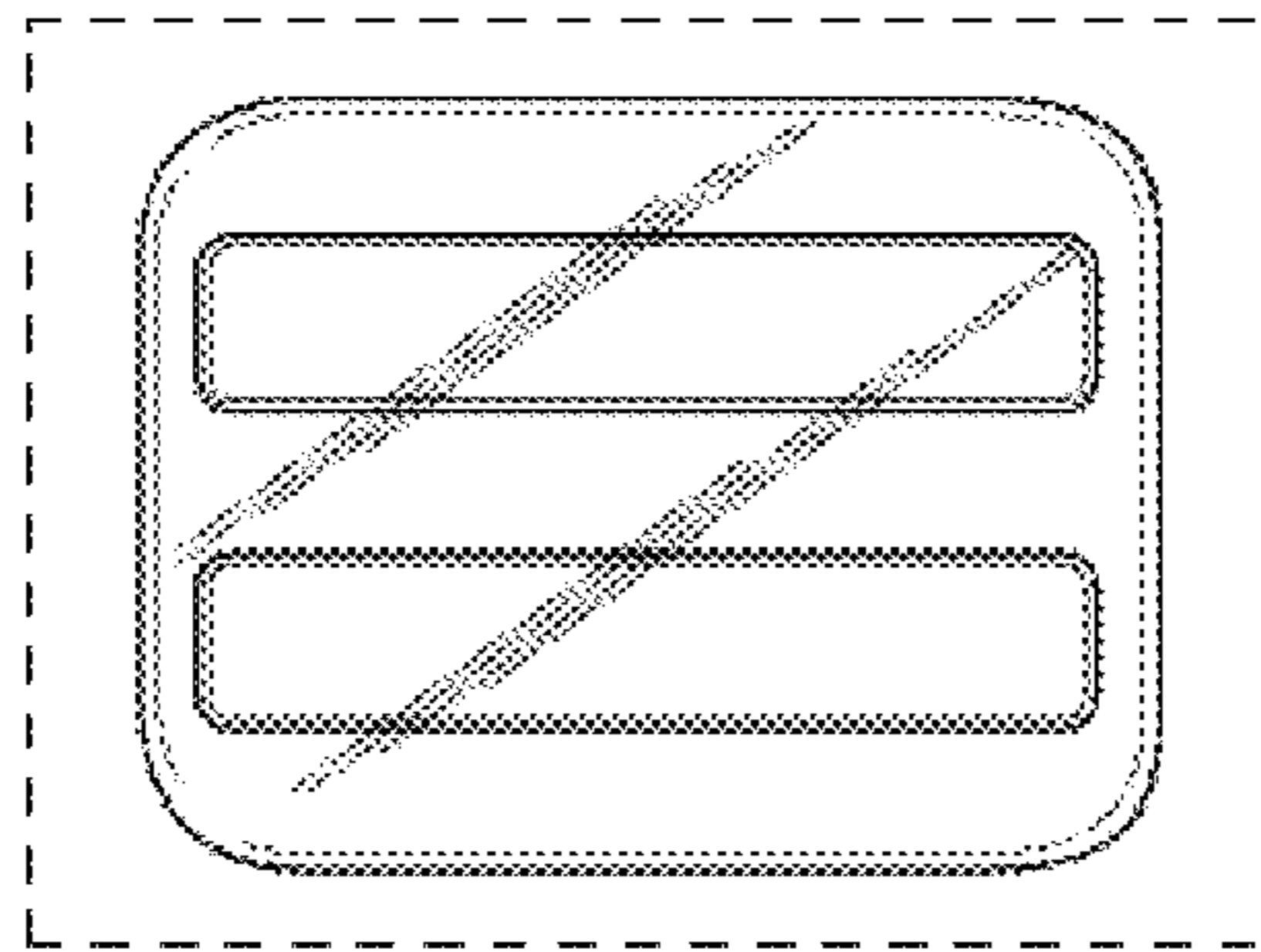


Fig. 3

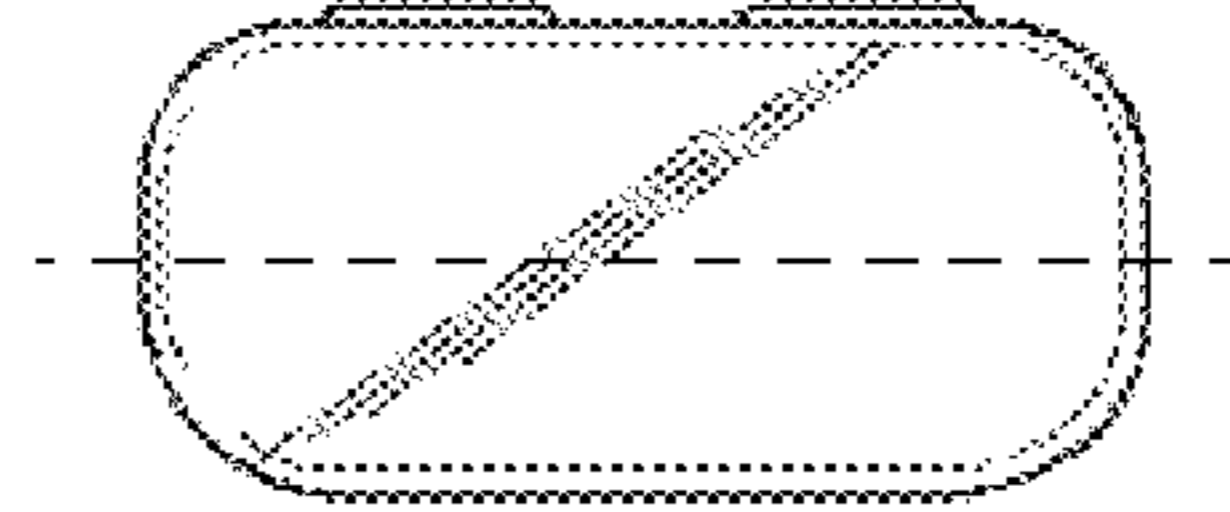


Fig. 4

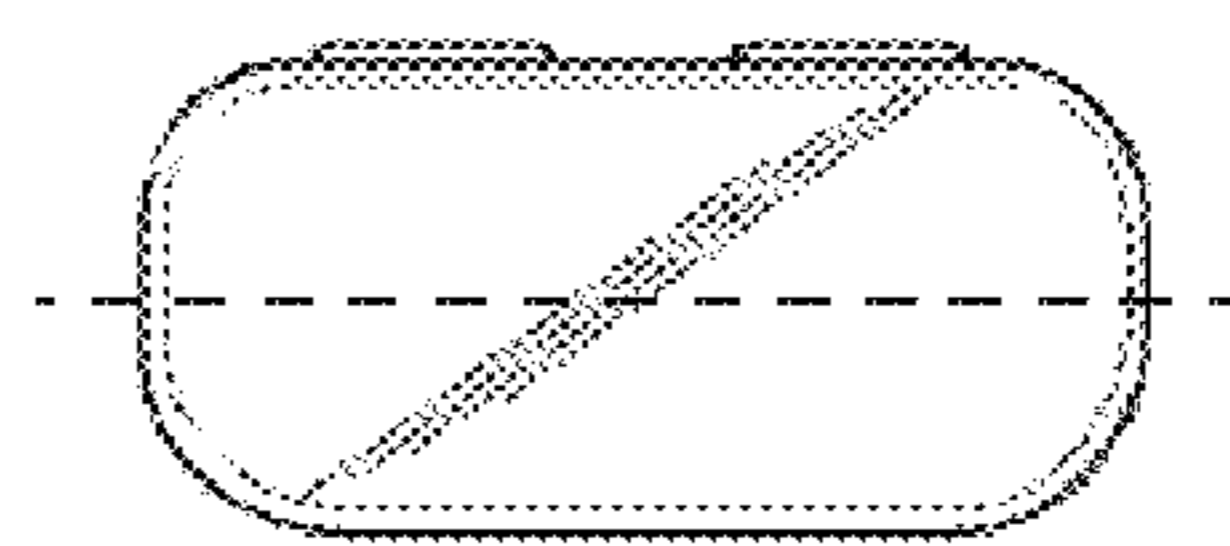


Fig. 5

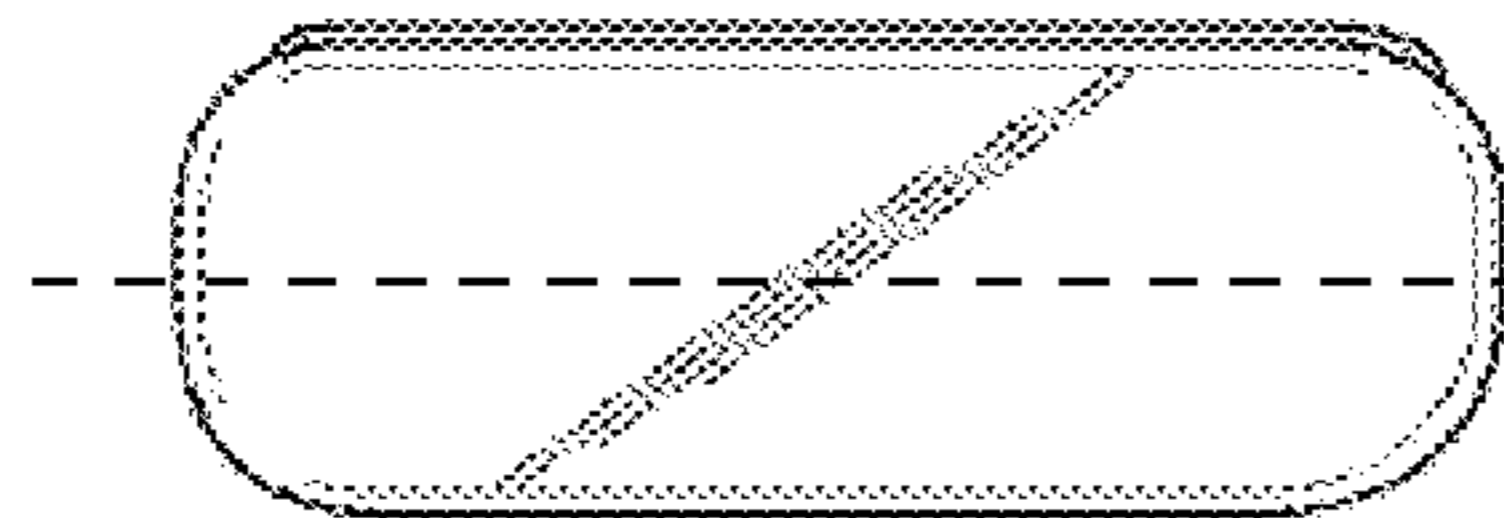


Fig. 7

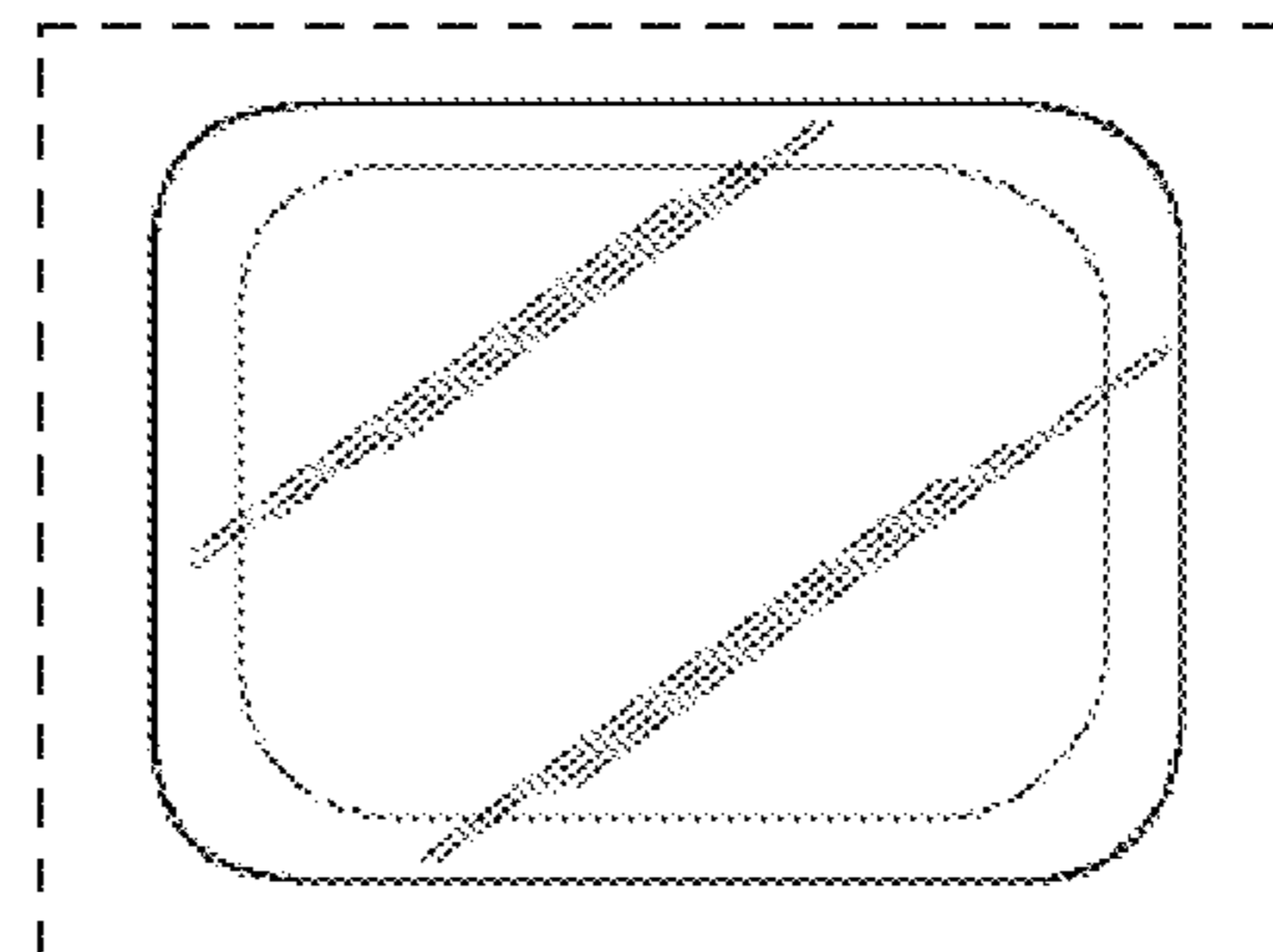


Fig. 6

